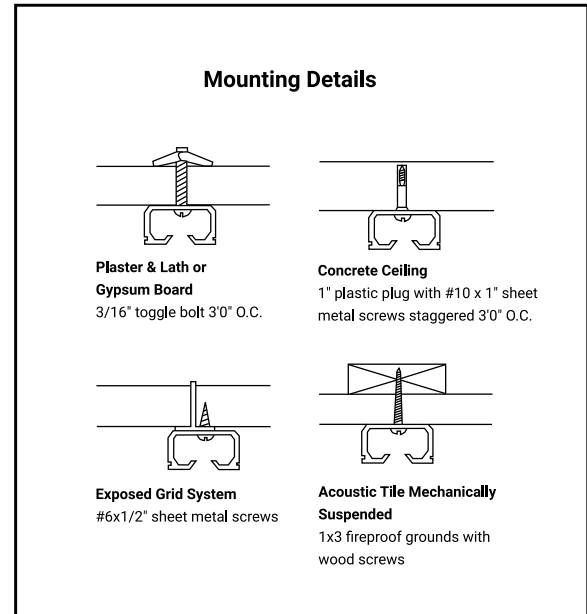
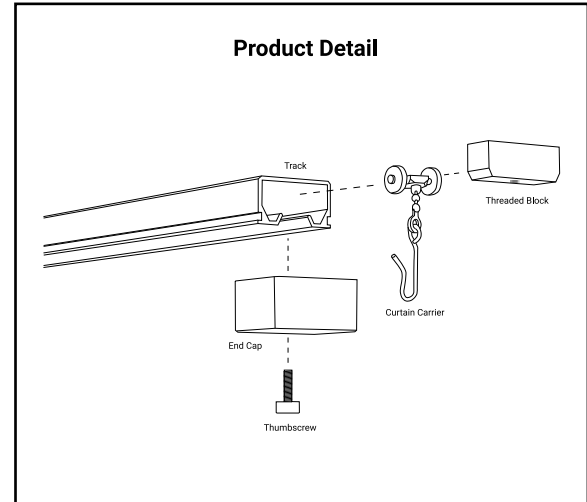
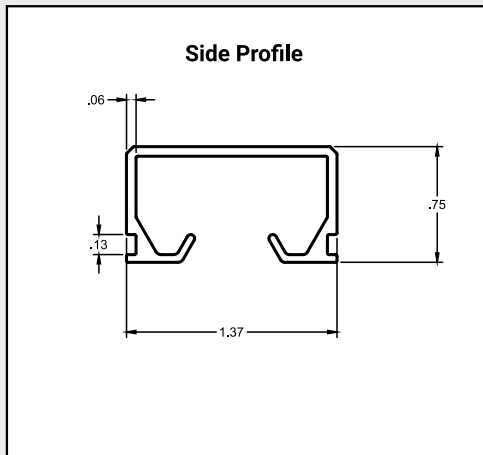


Specifications

IFC-98 Cubicle Track General Specification

IFC-98 cubicle track with IFC-100 roller carrier (shown) or the IFC-600 spool type carrier is designed to be surface mounted, suspended or recessed. Section size is 1 - 3/8" x 3/4" x .058" wall thickness. Extruded of 6063-T5 aluminum alloy. Track has 204-R1 satin anodized finish or a white acrylic electrostatic paint. Tracks are custom fabricated to shape and size in one continuous piece, wherever possible. All custom formed track bends are based upon a radii of 12". The IFC-100 carriers are manufactured with virgin nylon bodies, steel bead chains and hard aluminum hooks. Fast-Cap no-drill track caps (ie end stops) are furnished with all track systems. Fast-Caps attach via a threaded block and thumb screw and eliminates the requirement for additional drilling into the ceiling surface. The Fast-Cap can also be removed without tools allowing efficient removal of curtain carriers.



QUESTIONS? CONTACT US
info@imperialprivacy.com

Imperial Privacy Systems LLC
1400 SW 8th St Pompano Beach, FL 33069
(954) 782-7130 | www.imperialprivacy.com