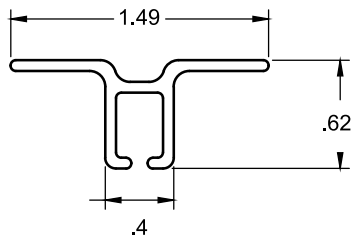


Specifications

IFC-69 Breakaway Track General Specification

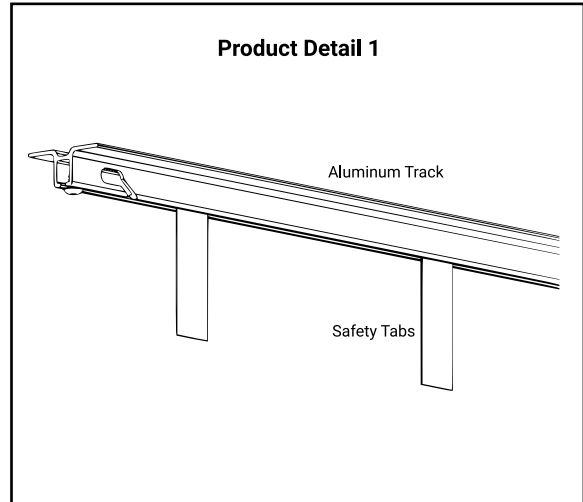
The IFC-69 Breakaway ceiling mounted track is a product designed for use in behavioral and psychiatric facilities where patient and resident safety is of the utmost important. The breakaway track is designated for use together with Imperial Privacy Systems hook & loop breakaway curtain system. The product consists of an an extruded aluminum track with a machined aperature for easy removal of the hook and loop tabs (also known as "safety tabs"). The extrusion shall be composed of 6063-T5 aluminum alloy with a cross-section size of 1-1/2" x 9/16" and .062 wall thickness. The finish shall be a 204-R1 clear satin anodizing. Breakaway tracks are custom fabricated to shape and size in one continuous piece, wherever possible. Imperial safety tabs are composed of a soft fabric material and run quiet with no hard plastics to be snapped or broken.

IFC-69 Side Profile

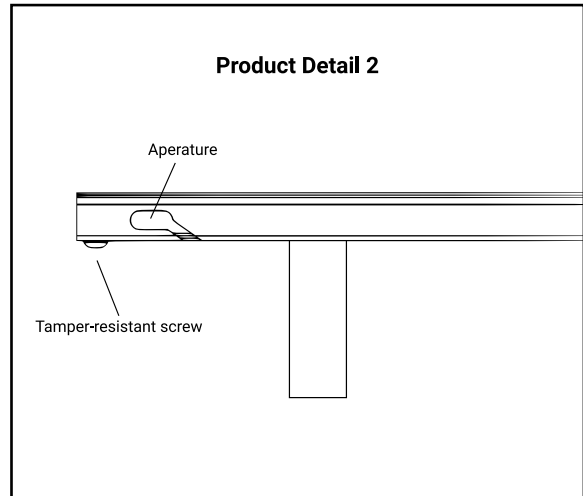


QUESTIONS? CONTACT US
info@imperialprivacy.com

Product Detail 1



Product Detail 2



Imperial Privacy Systems LLC
1400 SW 8th St Pompano Beach, FL 33069
(954) 782-7130 | www.imperialprivacy.com