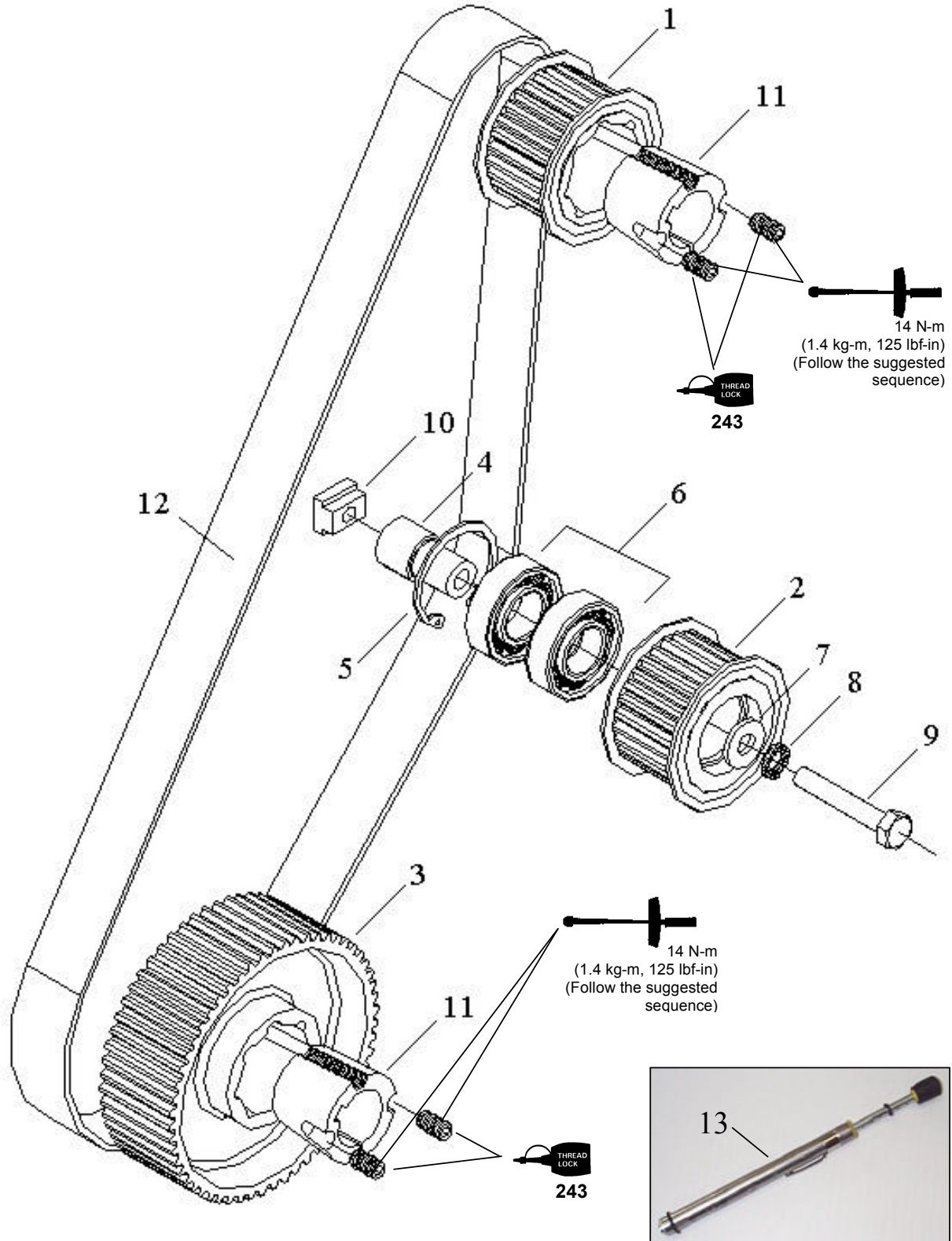


SECONDARY TRANSMISSION SYSTEM



SECONDARY TRANSMISSION SYSTEM 9 - 2

Ref.	P/N	Qty	Secondary transmission system Parts Description
1	SH201	1	Drive Sprocket 28T
2	SH203	1	Tensioner Sprocket 28T
3	SH205	1	Drive Sprocket 56T
4	SH204	1	Tensioner shaft
5	184-153	1	Retaining Ring
6	6004-2RS KML	2	Roller bearing, tensioner
7	409.716	1	Washer
8	441.1	1	Split spring lock washer
9	20238P	1	Hex Bolt, M10 X 60mm
10	90974 A116	1	Sliding T-nut
11	1215X30	2	Taper Lock
12	8M 1280-36	1	36mm Cog Belt
13	43990092	-	Tensioning tool