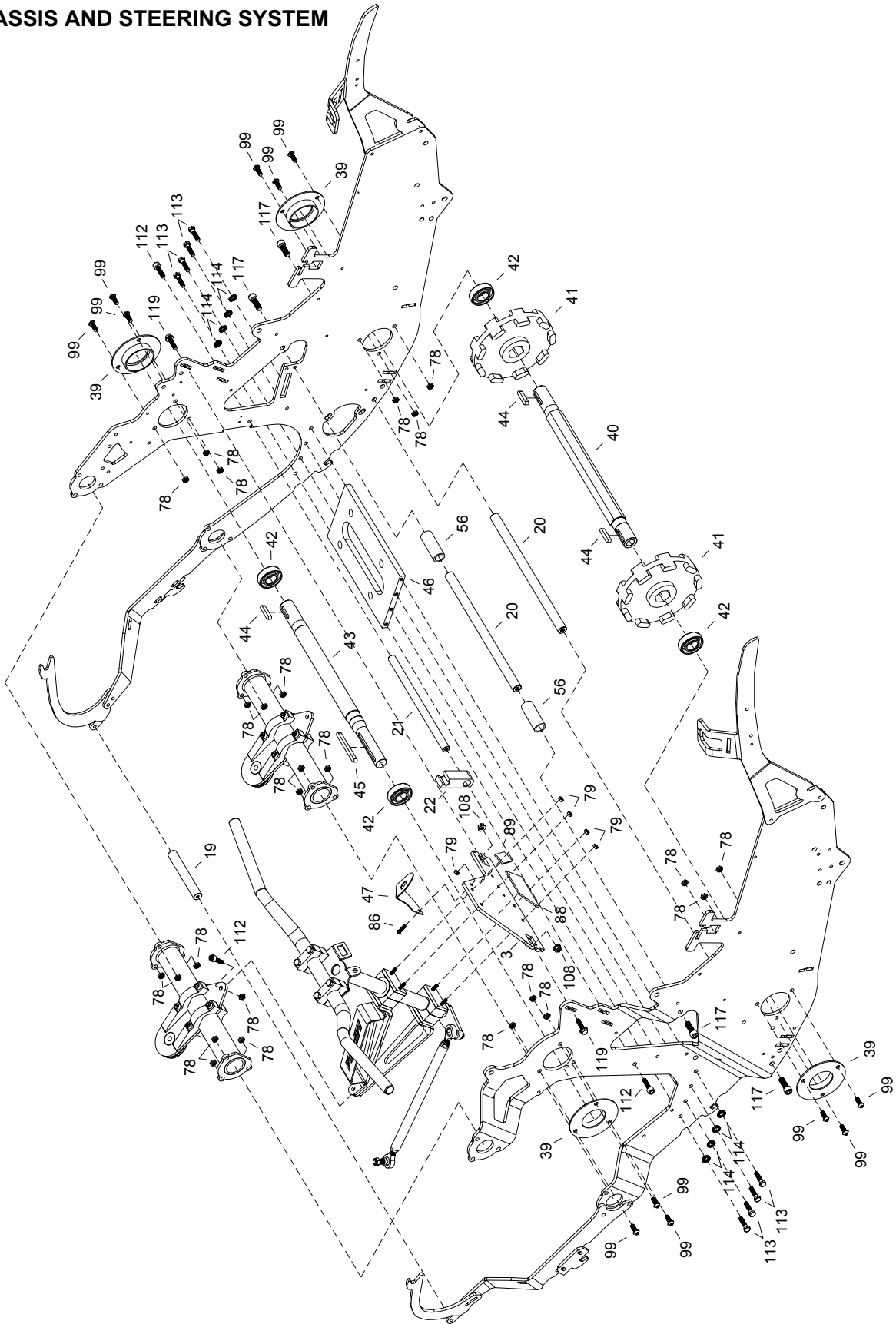
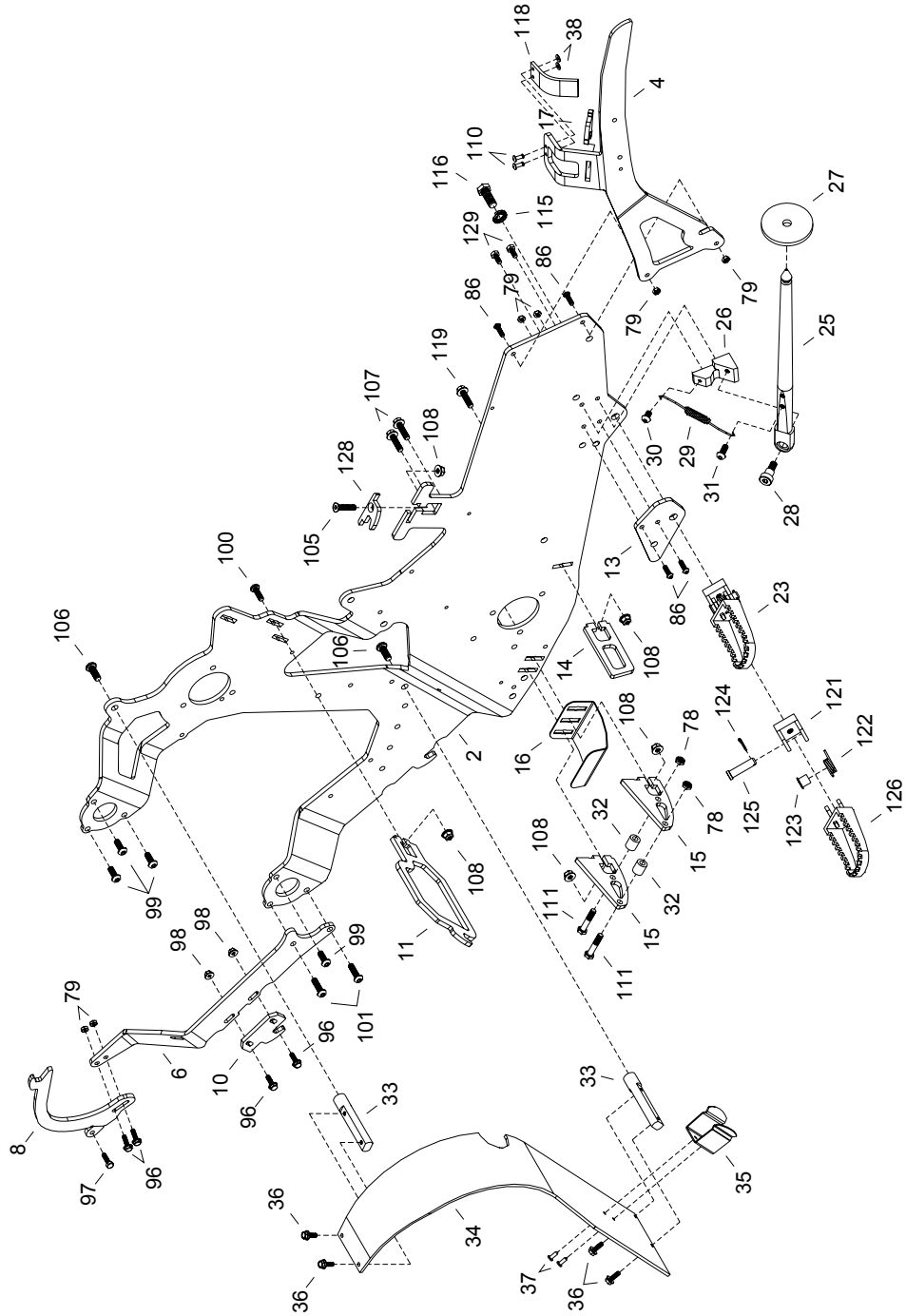


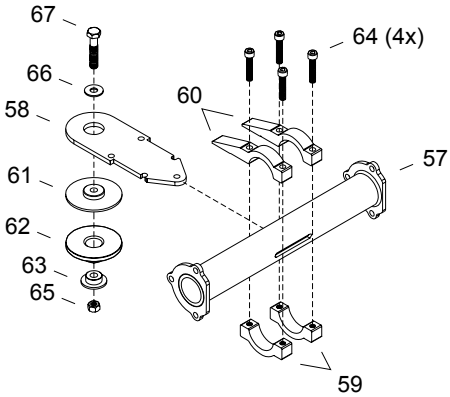
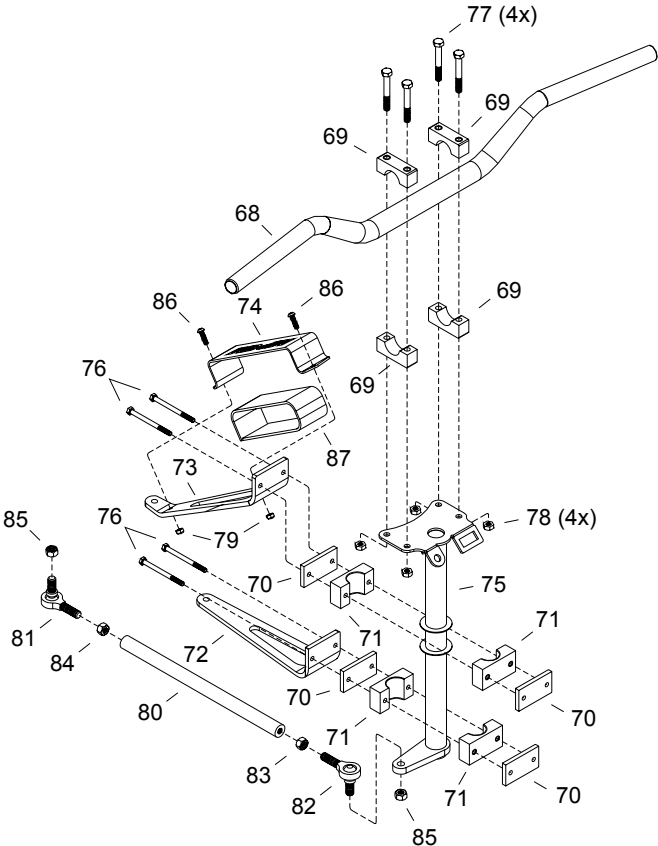
CHASSIS AND STEERING SYSTEM



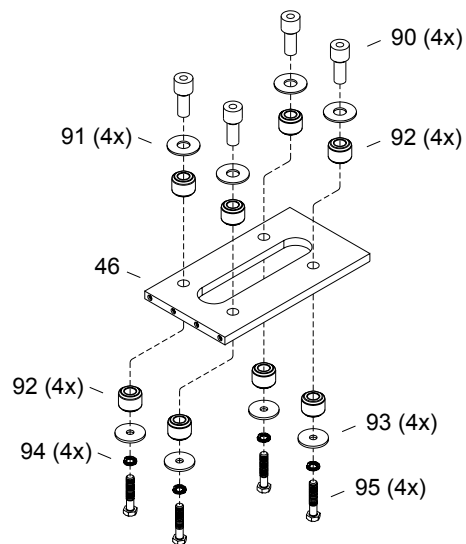
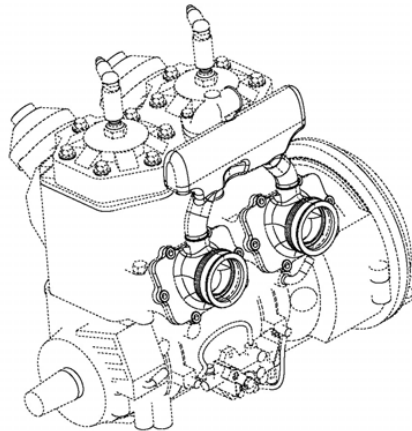
CHASSIS AND STEERING SYSTEM



CHASSIS AND STEERING SYSTEM



CHASSIS AND STEERING SYSTEM



CHASSIS, COVERS AND STEERING SYSTEM 13-7

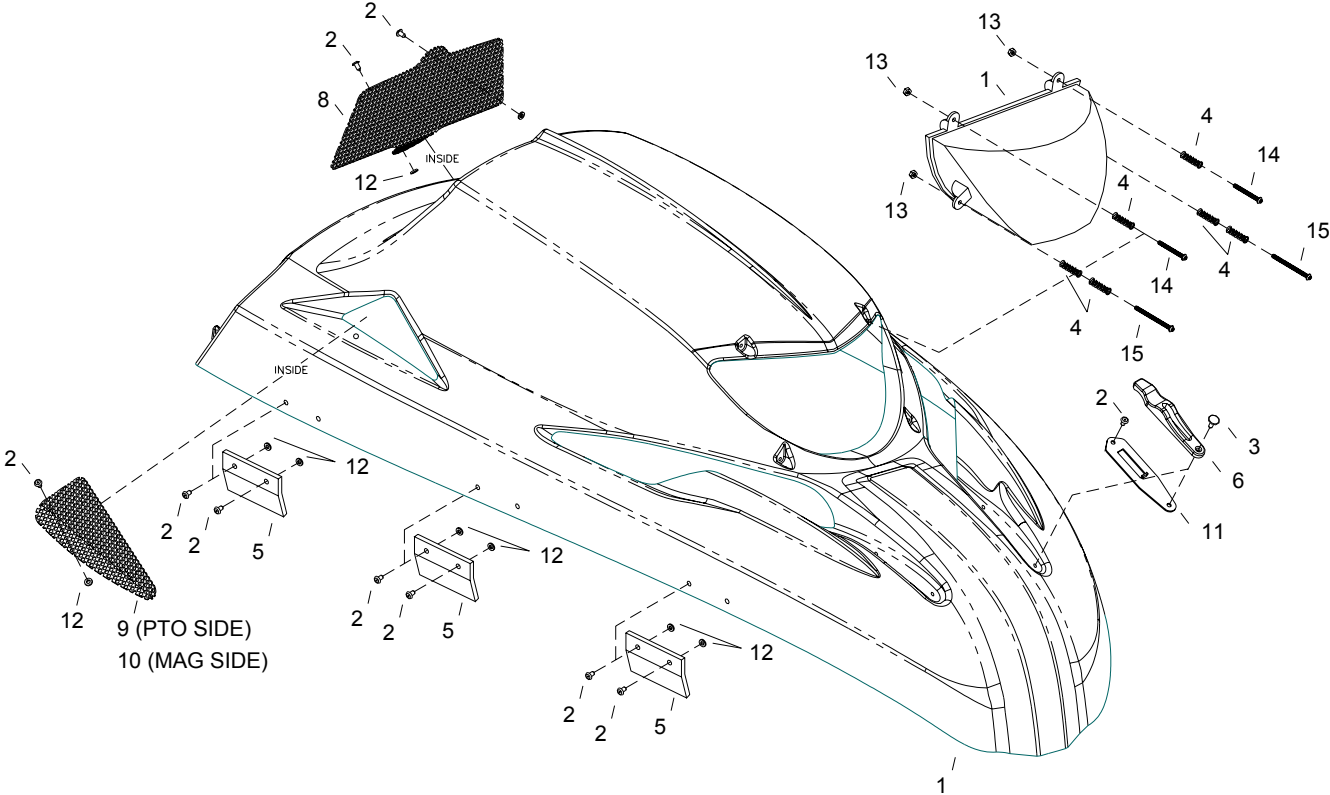
Chassis			
Ref.	P/N	Qty	Part Descriptions
1	SH-001	1	Frame right side (MAG)
2	SH-002	1	Frame left side (PTO)
3	SH-116	1	Handle bar plate support
4	SH-003L	1	Rear frame left side (PTO)
5	SH-003R	1	Rear frame right side (MAG)
6	SH-033L	1	Left front chassis extension (PTO)
7	SH-033R	1	Right front chassis extension (MAG)
8	SH-032L	1	Left front hood bungee hook (PTO)
9	SH-032R	1	Right front hood bungee hook (MAG)
10	SH-035	2	Front belly pan bungee hook
11	SH-030	1	Left side belly pan bungee hook (PTO)
12	SH-031	1	Right side belly pan bungee hook (MAG)
13	SH-117	2	Foot peg stiffener
14	SH-061	2	Rear lateral protector
15	SH-062	4	Front lateral protector
16	SH-080	2	Belly pan side shield support
17	SH-036	2	Rear module rear bungee hook
18	SH-118	2	Rear module front bungee hook
19	SH-038	1	Front chassis spacer
20	SH-020	2	Long chassis spacer
21	SH-021	1	Short chassis spacer
22	SH-120	1	Carburator support
23	SH11-SAG	1	Left peg (PTO)
24	SH11-SAD	1	Right peg (MAG)
25	SH-111	1	Kickstand arm
26	SH-110	1	Kickstand adaptor
27	SH-112	1	Kickstands floater
28	339-163AI	1	1/2" shoulder screw socket screw
29	02-108	1	Kickstand spring
30	404-337AI	1	Button head socket cap screw 5/16" x 1/2" L
31	337-213AI	1	Button head socket cap screw 5/16" x 3/4" L
32	SH-039	4	Front lateral protector spacer
33	SH-047	2	Belt garde support
34	SH-046	1	Belt garde cover
35	12-164-01	1	Belt holder spare
36	061.6.16	4	Hexagon head flange bolt M6 x 1.0 x 16MM (Grade 10.9)
37	BNO1-0618	6	Pop rivet 3/16" (medium)
38	341-102P	6	3/16" pop rivet backing plate
39	SH-015	4	Bearing housing
40	SH-251	1	Sprocket shaft
41	04-108-39	2	Sprocket 9 teeth
42	6206-2RSJEMC3	4	Bearing 6206
-			

Chassis			
Ref.	P/N	Qty	Part Descriptions
43	SH-250	1	Jackshaft
44	SH-253	3	Key 1.5" L
45	SH-254	1	Key 3.375" L
46	SH-084	1	Engine support
47	SH-034	1	Choke bracket
48	SH-129	1	Oil tank bracket
49	SH-058	2	Hand starter wheel
50	6000LLEC	2	Bearing 6000
51	184-110	2	Retaining ring
52	SH-057	2	Handle starter wheel spacer
53	MM9489T26	1	Eyebolt 5/16-18 x 1"
54	SH-042	1	Belt tensioner block
55	20172CP	1	Hexagon head cap screw M6 x 1.0 x 80MM (full threaded)
56	047-00	2	Hypalon 1" x 0.750" x 3.625"
57	SH01-SA	2	Fork clamp tube
58	SH-005	2	Fork clamp support
59	SH-013	4	Bottom clamp stiffener
60	SH-012	4	Top clamp stiffener
61	SH-043	2	Fork steel bushing
62	SH-050	2	Fork MOS2 bushing
63	SH-066	2	Fork bushing
64	21655P	8	Socket head screw M8 x 1.25 x 40MM
65	23166	2	Nylon nut M10 x 1.5
66	503 183 300	2	Washer 10MM spécial
67	20237P	2	Hexagon head cap screw M10 x 1.5 x 55MM
68	18-95266HAWK	1	Handle bar
69	SH-016	4	Handle bar clamp
70	SH-054	4	Rubber steering damper
71	SH-049	4	Plastic half steering bushing
72	SH-089	1	Bottom handle bar stiffener
73	SH-008	1	Top handle bar stiffener
74	SH-128	1	MPEM bracket
75	SH14-SA	1	Steering column
76	BH67010.9P	4	Hexagon head cap screw M6 x 1.0 x 70MM (Grade 10.9)
77	20207P	4	Hexagon head cap screw M8 x 1.25 x 60MM
78	23164	33	Nylon nut M8 x 1.25
79	23162	22	Nylon nut M6 x 1.0
80	SH-055	1	Threaded aluminum drive rod
81	506 151 492	1	RH ball joint
82	506 151 495	1	LH ball joint
83	250 100 016	1	LH hexagon jam nut M10
84	732 610 010	1	RH hexagon jam nut M10
-			

CHASSIS, COVERS AND STEERING SYSTEM 13-9

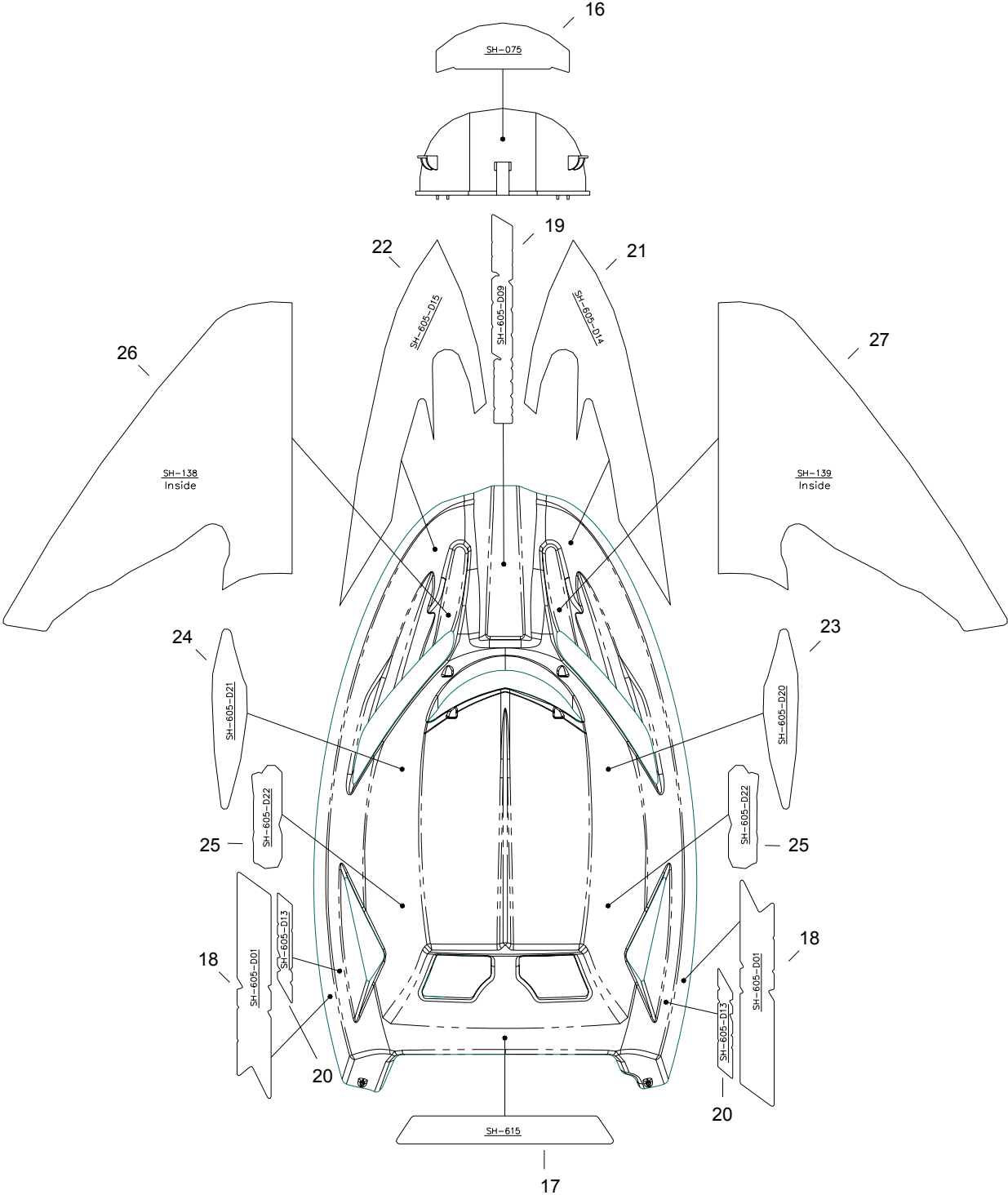
Chassis			
Ref.	P/N	Qty	Part Descriptions
85	368.10.125	2	Nylon nut M10 x 1.25
86	22204P	11	Button head socket cap screw M6 x 1,0 x 20MM
87	8461k133-2	1	Adhesive rubber strip 1/8" thick x 2" wide x 16" L
88	SH-132	1	Adhesive rubber strip (PTO) [modified #8461K133]
89	8461k133-1	1	Adhesive rubber strip 1/8" thick x 2" wide (MAG)
90	SH-085	4	Engine support adaptor
91	341-114P	4	Washer 5/8
92	DDR6261	8	Rubber damper
93	92140A118	4	Washer M10 large
94	21111P	4	Lock washer M10
95	20242P	4	Hexagon head cap screw M10 x 1.5 x 80MM
96	061.6.25	8	Hexagon head flange bolt M6 x 1.0 x 25MM (Grade 10.9)
97	20159P	2	Hexagon head bolt M6 x 1.0 x 20MM (Grade 10.9)
98	23162F	4	Nylon flange nut M6 x 1.0
99	22214P	24	Button head socket cap screw M8 x 1.25 x 20MM
100	22215P	2	Button head socket cap screw M8 x 1.25 x 25MM
101	22216P	4	Button head socket cap screw M8 x 1.25 x 30MM
102	336-103	1	Hexagon flange stove nut 5/16"
103	2946	1	Nylon flange nut 5/16-18
104	22205P	2	Button head socket cap screw M6 x 1.0 x 25MM
105	22121P	2	Flat head socket cap screw M8 x 1.25 x 30MM
106	22225P	2	Button head socket cap screw M10 x 1.5 x 25MM
107	29530	4	Hexagon head flange bolt M8 x 1.25 x 30MM
108	23164F	12	Nylon flange nut M8 x 1.25
109	SNC-26	1	Rubber moulding
110	BS01 0622	4	Aluminum pop rivet 3/16 (long)
111	084.8.40	4	Hexagon head cap screw M8 x 1.25 x 40MM
112	084.8.30	3	Socket head cap screw M8 x 1.25 x 30MM
113	057.8.30	8	Hexagon head cap screw M8 x 1.25 x 30MM
114	21110P	8	Lock washer M8
115	442.12	2	Lock washer 1/2"
116	20269P	2	Hexagon head cap screw M12 x 1.75 x 30MM
117	21681P	4	Socket head cap screw M10 x 1.5 x 30MM
118	SH-071	2	Rear module rear bungee hook positioner
119	061.8.25	4	Hexagon head flange bolt M8 x 1.5 x 30MM
120	SH11-SAR	1	Foot peg grip (Right)
121	SH10-SA	2	Foot peg yoke
122	SH-107	2	Foot peg torsion spring
123	SH-106	2	Foot peg plastic bushing
124	195-105	2	Cotter pin A3/32x3/4
125	SNB-384	2	Clevis pin A1 1/4x7/16
126	SH11-SAL	1	Foot peg grip (Left)
127	SH-141	1	Pipe bracket
128	SH-118L	1	Rear module front bungee hook (LEFT) PTO side
129	072.14.58	2	A1/4x5/8 HHCS
-			

BODY - HOOD



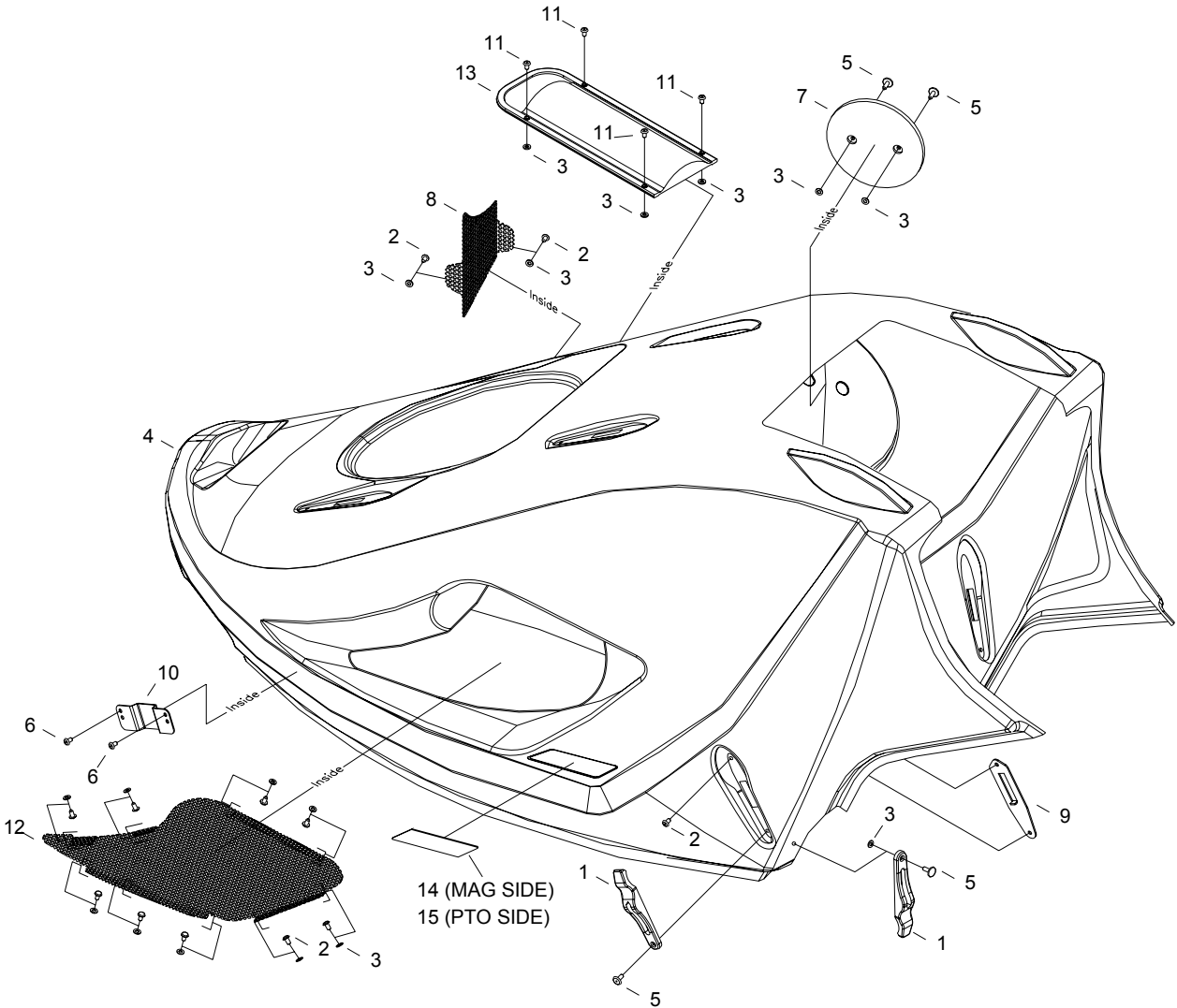
CHASSIS, COVERS AND STEERING SYSTEM 13-11

BODY - HOOD

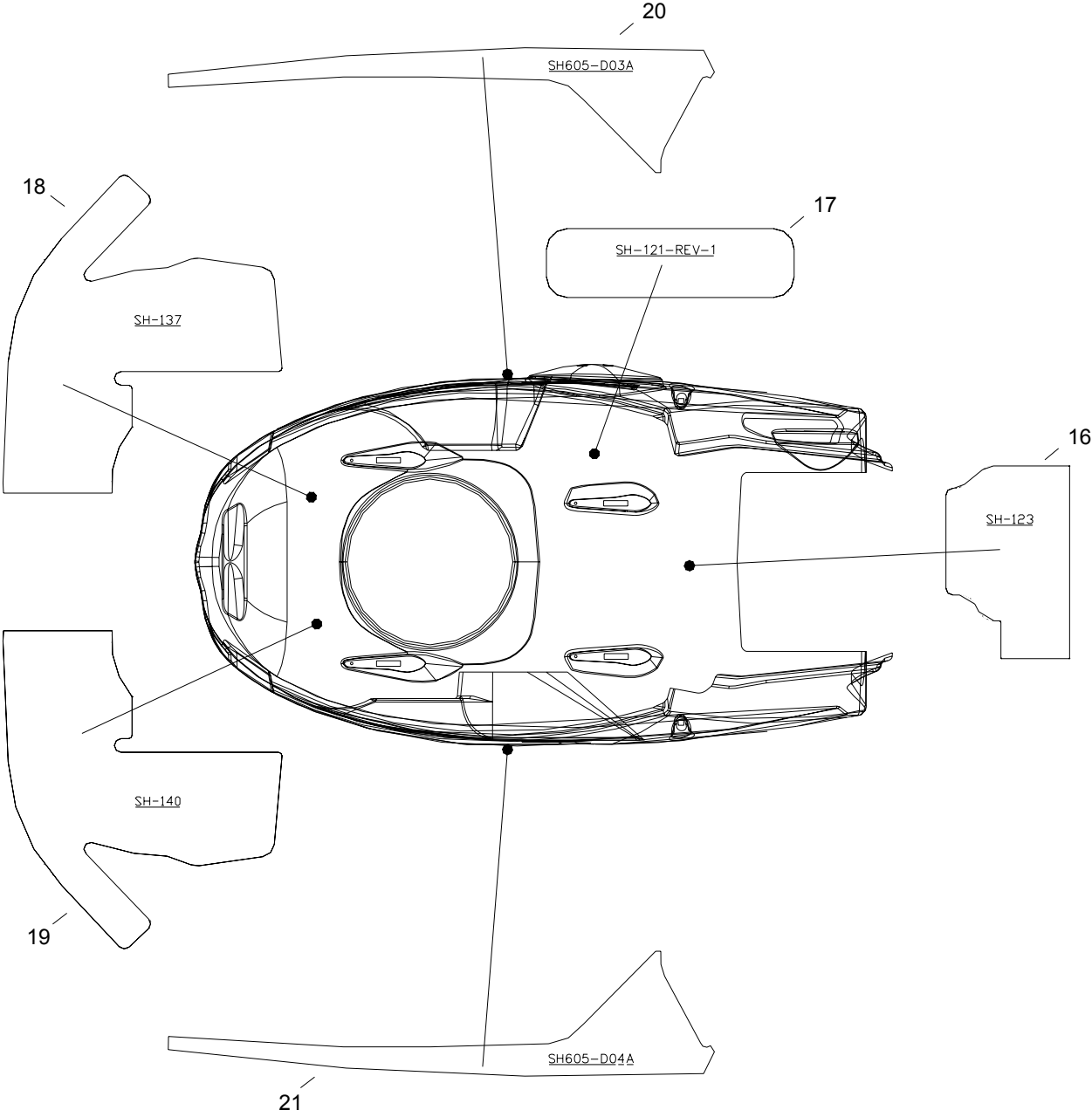


Body - Hood			
Ref.	P/N	Qty	Part Descriptions
1	ADB-097	1	BLACK HOOD
2	1661-0619N	18	A3/16 POP RIVET (ALU, BLACK)
3	1641-0621N	2	A3/16 POP RIVET (ALU, LARGE HEAD, BLACK)
4	5937	6	HEAD LIGHT SPRING
5	ADB-098	6	HOOD GUIDES 1/8
6	284118	2	RUBBER HOOK "BUNGEE"
7	AN-125	1	HEAD LAMP (SAE J280 APPROVED)
8	SH-069	1	GRILL - COOLING DUCT (REAR OF CAB)
9	SH-070L	1	GRILL - PTO SIDE
10	SH-070R	1	GRILL - MAG SIDE
11	SH-081	2	WEARING PLATE (16 GA, STAINLESS)
12	400-309	16	A3/16 POP RIVET BACKING
13	400-288	4	#8-32 HEX ELASTIC NUT
14	400-579A	2	#8-32x1 3/4 PHILLIPS SCREW
15	402-637	2	#8-32x2 1/2 PHILLIPS SCREW
16	SH-075	1	HEADLAMP - HEAT SHIELD - UNDER HEADLAMP
17	SH-615	1	DECAL - WARNING LABEL - DASH
18	SH605-D01	2	HOOD - HAWK LATERAL - PTO/MAG
19	SH605-D09	1	HOOD - ROTAX 600HO
20	SH605-D13	2	HOOD - SNOW - PTO/MAG
21	SH605-D14	1	HOOD - NASAL DECAL - MAG
22	SH605-D15	1	HOOD - NASAL DECAL - PTO
23	SH605-D20	1	HOOD - MASK - MAG
24	SH605-D21	1	HOOD - MASK - PTO
25	SH605-D22	2	HOOD - TLS - PTO/MAG
26	SH-138	1	HOOD - HEAT SHIELD - NOSE, MAG
27	SH-139	1	HOOD - HEAT SHIELD - NOSE, PTO
-	19-113B	3	A1/8x5 1/2 TIE WRAP BLACK
-			

BODY – BELLY PAN



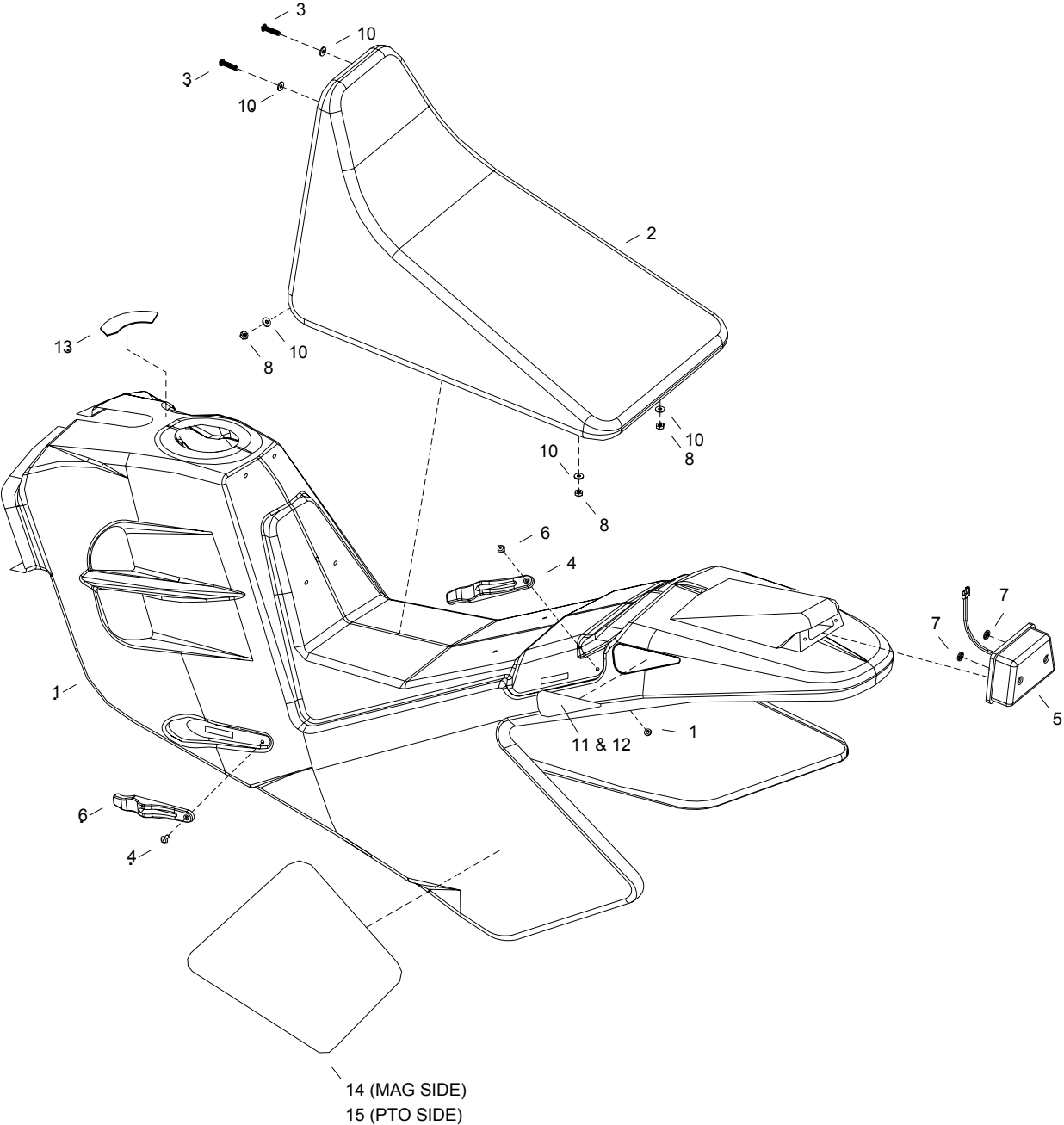
BODY - BELLY PAN



CHASSIS, COVERS AND STEERING SYSTEM 13-15

Body - Bellypan			
Ref.	P/N	Qty	Part Descriptions
1	284118	6	RUBBER HOOK "BUNGEE"
2	1661-0619N	17	A3/16 POP RIVET (ALU, BLACK)
3	400-309	23	A3/16 POP RIVET BACKING
4	ADB-094	1	BLACK BELLYPAN
5	1641-0621N	10	A3/16 POP RIVET (ALU, LARGE HEAD, BLACK)
6	BLSS64-100N	2	A3/16 POP RIVETS
7	SH-065	1	PTO BELLYPAN PROTECTOR
8	SH-068	1	PTO SIDE GRILL
9	SH-081	6	WEARING PLATE (16 GA, STAINLESS)
10	SH-082	1	BELLYPAN PROTECTOR
11	1661-0619	4	A3/16 POP RIVET (ALU)
12	SH-115	1	MAG SIDE GRILL NOIR
13	SH-133	1	TOOL POCKET 600HO
14	SH-610	1	DECAL - REFLECTOR - SIDE BELLYPAN (MAG)
15	SH-611	1	DECAL - REFLECTOR - SIDE BELLYPAN (PTO)
16	SH-123	1	BELLYPAN - HEAT SHIELD - UNDER CANISTER
17	SH-121_REV_1	1	BELLYPAN - HEAT SHIELD - PIPE/CAN, MAG
18	SH-137	1	BELLYPAN - HEAT SHIELD - NEAR PIPE @ MAG
19	SH-140	1	BELLYPAN - HEAT SHIELD - NEAR PIPE @ PTO
20	SH605-D03A	1	BELLYPAN - LONG DECAL - MAG
21	SH605-D04A	1	BELLYPAN - LONG DECAL - PTO
-			
-			
-			

BODY – REAR MODULE



CHASSIS, COVERS AND STEERING SYSTEM 13-17

Body - Rear Module			
Ref.	P/N	Qty	Part Descriptions
1	ADB-100	1	BLACK REAR MODULE
2	200281	1	SEAT ASSY 600HO2005
3	337-193P	2	A1/4x3/4 BHCS
4	1641-0621N	4	A3/16 POP RIVET (ALU, LARGE HEAD, BLACK)
5	336772	1	REAR LAMP MODEL 218 STOP/TAIL-12V
6	284118	4	RUBBER HOOK "BUNGEE"
7	169-113	2	PUSH NUT
8	333-105	4	A1/4 HEX ELASTIC NUT
9	400-309	4	A3/16 POP RIVET BACKING
10	341-103P	6	A3/16 FLAT WASHER
11	SH-612	1	DECAL - REFLECTOR - SIDE TAILSECTION (MAG)
12	SH-613	1	DECAL - REFLECTOR - SIDE TAILSECTION (PTO)
13	SH-618	1	DECAL - WARNING LABEL - PREMIX RATIO
14	SH605-D05A	1	REAR MODULE - NUMBER PLATE - MAG
15	SH605-D06A	1	REAR MODULE - NUMBER PLATE - PTO
-	ADB-0092	1	SEAT BASE

CHASSIS AND STEERING SYSTEM 13-18

Body - Tunnel Cover			
Ref.	P/N	Qty	Part Descriptions
-	SH-108SA	1	RADIATOR RIGHT
-	SH-109SA	1	RADIATOR LEFT
-	341-102P	10	3/16" POP RIVET BACKING PLT.
-	BNO1-0618	10	POP RIVET 3/16" DIA MEDIUM
-	SH-086	1	ALUMINUM TUNNEL REINFORCEMENT PLATE
-	SN328-014	1	FLANGE HEX HEAD 1/4-20 X 3/4" (fuel pump)
-	SN328-016	1	FLANGE HEX HEAD 1/4-20 X 1 1/4" (fuel pump)
-	170-103	2	T-SCREW FOR FUEL PUMP
-	341-102P	10	3/16" POP RIVET BACKING PLT.
-	ADB-101	1	BLACK TUNNEL COVER
-	513032979	2	SPRING CLAMP (light green) (Pump-2-adaptor)
-	513033022	0.2	RUBBER HOSE (Pump-2-adaptor)
-	403,901,811	1	FUEL PUMP 600HO
-	420,874,370	1	FUEL LINE ADAPTOR (b/t fuel pump and tank)
-	BNO1-0618	10	POP RIVET 3/16" DIA MEDIUM
-	BSO1-0622	9	LONG 3/16" POP RIVET
-	SH-078	1	TUNNEL COVER HEAT SHIELD
-	SH-087	2	SHORT ALUMINUM SPACER
-	SH-088	1	UHMW TUNNEL SLIDER
-	SH-091	1	FUEL PUMP LONG ALUMINUM SPACER
-	SH-092	1	FUEL PUMP SHORT ALUMINUM SPACER