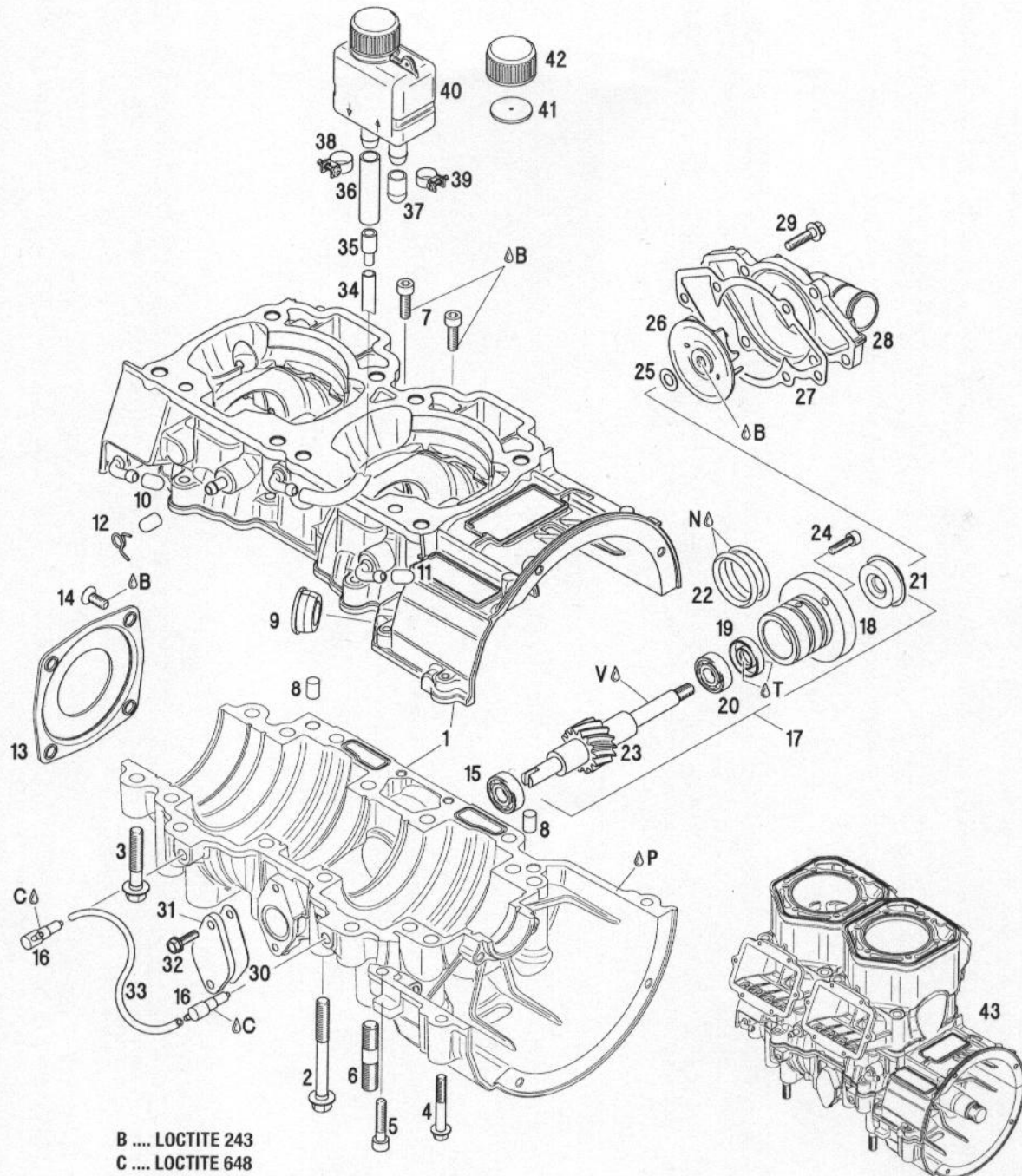


ENGINE / BOTTOM END

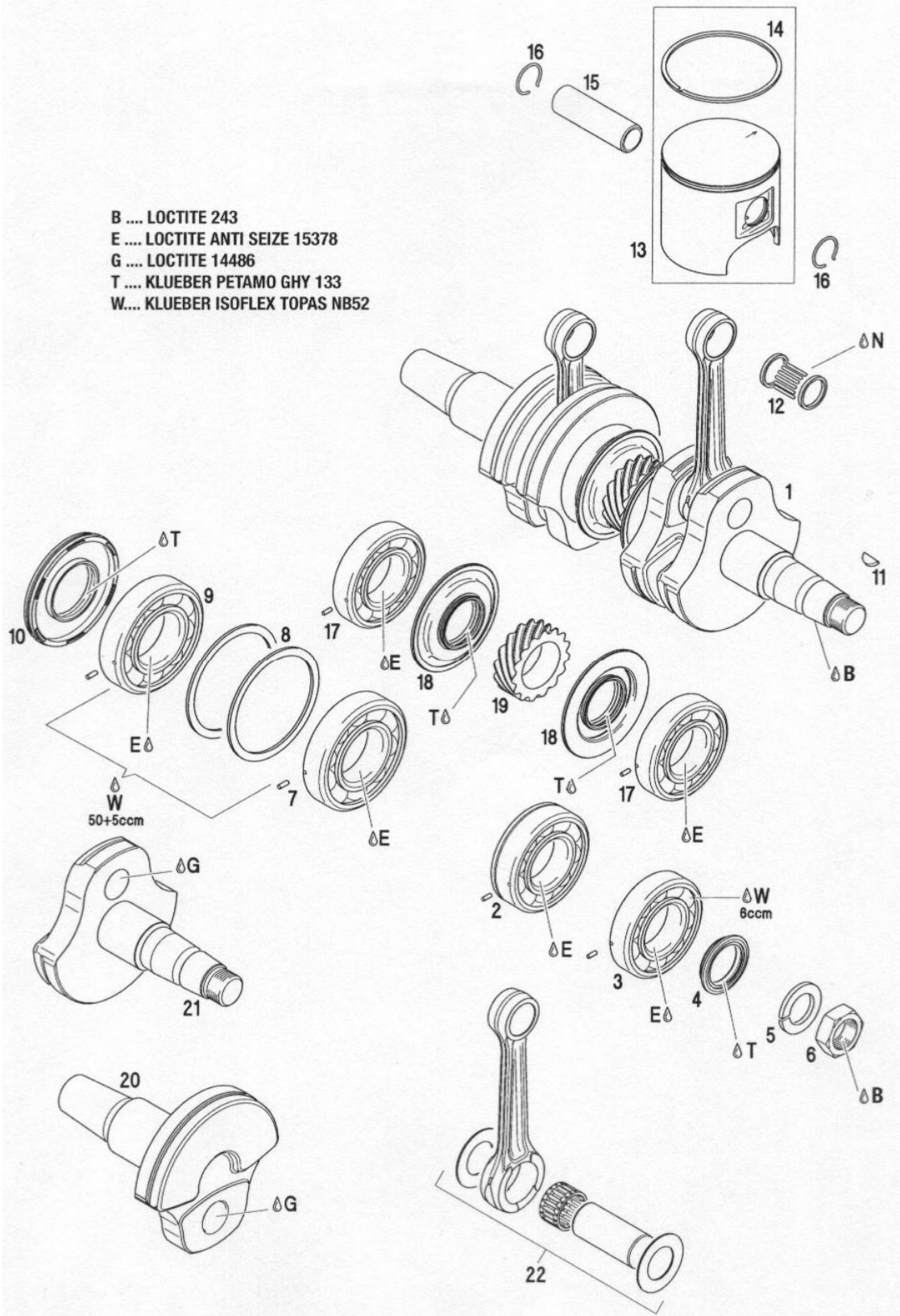


- B .... LOCTITE 243
- C .... LOCTITE 648
- N .... MULTI PURPOSE GREASE BP LS3
- T .... KLUEBER PETAMO GHY 133
- P .... LOCTITE 5910
- V .... TRANSMISSION OIL ISO VG 100

Engine bottom end			
Ref.	P/N	Qty	Part descriptions
1-12	420 889 683	1	Crankcase assy.
2	420 640 836	10	Collar hexagone screw M8 x 75
3	420 640 431	6	Collar hexagone screw M8 x 45
4	420 640 311	2	Collar hexagone screw M6 x 45
5	420 840 880	1	Allen screw M6 x 30
6	420 641 834	4	Stud M10 x 29/17
7	420 840 401	2	Allen screw M6 x 22
8	420 632 010	2	Pin 8 x 12
9	420 860 965	1	Cable grommet 26 7/9
10	420 960 770	1	Closure cap for impulse joint
11	420 960 777	1	Protection cap
12	420 938 190	1	Clamp 8
13	420 812 420	1	Oil seal cover
14	420 941 430	4	Countersunk screw M6 x 20
15	420 232 100	1	Ball bearing 6000 10-26-8
16	420 956 510	2	Checkvalve assy.
17-23	420 837 421	1	Water pump / oil pump shaft assy.
18	-	1	Step collar
19	420 230 196	1	Oil seal A 10x26x7 NBR
20	420 232 100	1	Ball bearing 6000 10-26-8
21	420 650 370	1	Rotary seal
22	420 950 890	2	O-ring 30x3
23	-	1	Waterpump / oil pump shaft
24	420 840 511	2	Allen screw M5 x 16
25	420 227 945	1	Thrust washer 8.1/15/0.5
26	420 222 505	1	Impeller
27	420 931 810	1	Gasket
28	420 922 630	1	Waterpump housing
29	420 240 031	6	Hexagone screw M6 x 25
30	420 931 565	1	Gasket
31	420 810 825	1	Cover plate
32	420 941 925	2	Tapite screw M5 x 16
33	420 660 424	1	Oil line 170 mm
34	420 974 535	1	Plastic line 120 mm
35	420 874 370	1	Reduction fitting
36	420 956 239	1	Oil tube 250 mm
37	420 960 279	1	Closure cap 10.32
38	420 951 260	1	Clamp 14
39	420 951 240	1	Clamp 12
40-42	420 956 240	1	Oil tank assy.
41	420 850 350	1	Rubber gasket 26.5 mm
42	420 956 250	1	Oil tank cap S 103/2D
43	300 059 342	1	Shortblock engine
-			

ENGINE / CRANKSHAFT AND PISTONS

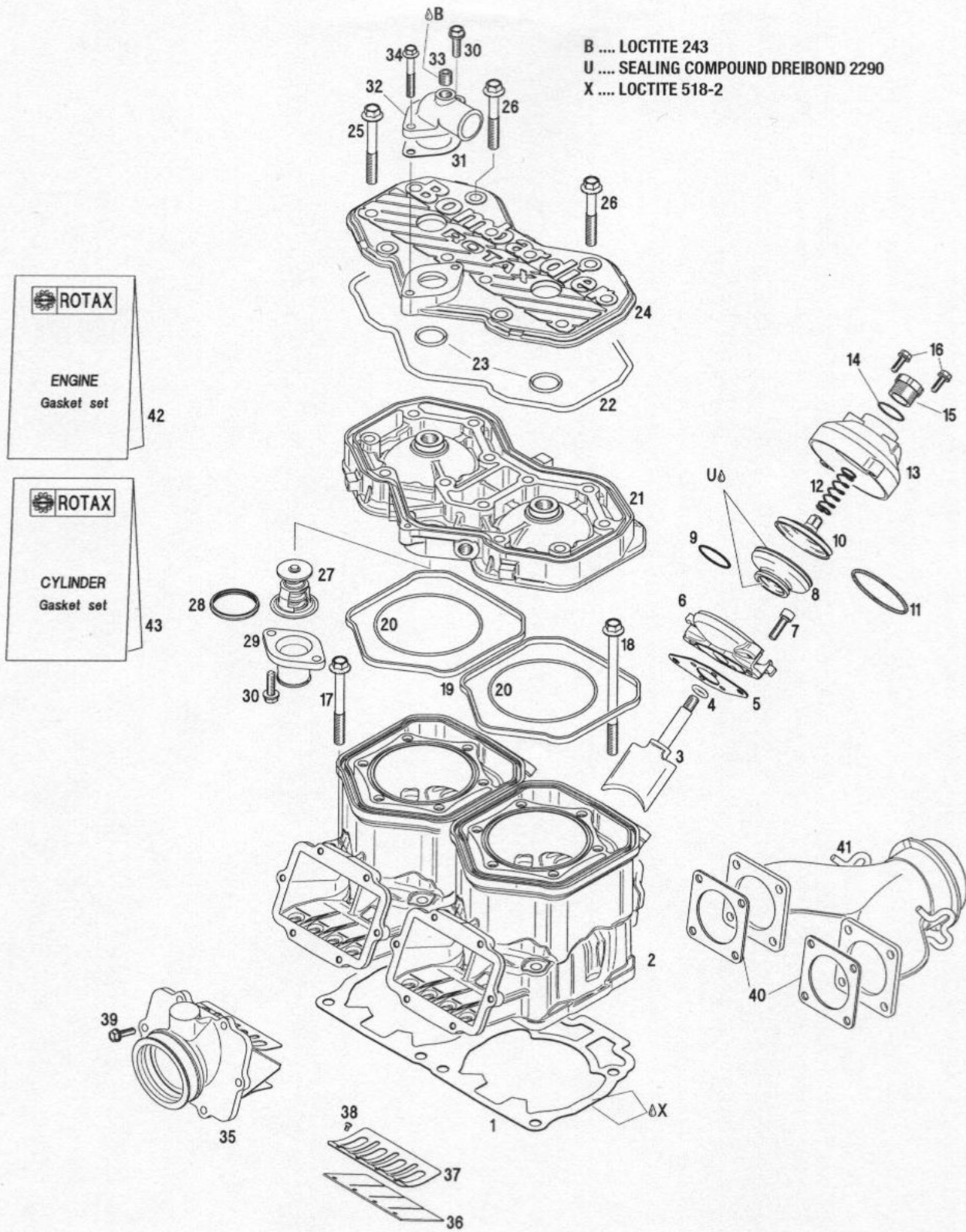
B .... LOCTITE 243  
E .... LOCTITE ANTI SEIZE 15378  
G .... LOCTITE 14486  
T .... KLUEBER PETAMO GHY 133  
W.... KLUEBER ISOFLEX TOPAS NB52



Engine crankshaft and pistons			
Ref.	P/N	Qty	Part descriptions
1-11	420 889 097	1	Crankshaft assembly
2	420 832 638	1	Ball bearing 6207 with oil seal assembly
3	420 832 575	1	Ball bearing 6207 with drive pin
4	420 931 792	1	Oil seal 30x42x7
5	420 945 759	1	Lock washer 22
6	420 842 230	1	Hexagone nut M22 x 1.5
7	420 832 608	1	Ball bearing 6208 with oil seal and drive pin
8	420 926 190	2	Retaining disk 72/83/2
9	420 832 600	1	Ball bearing 6208 with drive pin
10	420 931 285	1	Oil seal as 40x80x8 FPM
11	420 246 015	1	Woodruff key 3x5
12	420 832 425	2	Cageless needle bearing 20x25x23
13-14	420 889 189	2	Piston assembly 71.89 mm
14	420 815 295	2	Semi trapez ring is 2-72/66.6x1.5
15	420 916 410	2	Piston pin 20x12.5x60
16	420 845 106	4	Monohook circlip 20
17	420 832 575	2	Ball bearing 6207 with drive pin
18	420 931 455	2	Oil seal AD 34.5x76x2.6/10.2 NBR
19	420 834 355	1	Central gear 15T
20	420 818 709	1	Crankshaft PTO side
21	420 818 739	1	Crankshaft MAG side
22	420 889 093	1	Rod repair kit MAG side
22	420 889 094	1	Rod repair kit PTO side
-			

ENGINE (CYLINDERS / HEAD / BASE) 7 - 6

ENGINE / TOP END



Engine top end			
Ref.	P/N	Qty	Part descriptions
1	420 931 892	1	Gasket 0.6
1	420 931 893	1	Gasket 0.5
1	420 931 894	1	Gasket 0.7
1	420 931 895	1	Gasket 0.8
2	420 613 714	2	Cylinder nicasil plated
3	420 854 650	2	Exhaust valve slide
4	420 931 542	2	Gasket
5	420 430 110	2	O-ring 10x2.7
6	420 854 455	2	Valve rod housing
7	420 840 861	4	Allen screw M6 x 25 DIN 912
8	420 260 729	2	Bellows
9	420 838 255	2	Hose spring 70-1.7-0.3
10	420 854 449	2	Exhaust valve piston
11	420 939 280	2	Hose spring 134-3.0-0.65
12	420 239 944	2	Compression spring 48.5/0.9 mm
13	420 911 558	2	Valve cover
14	420 430 220	2	O-ring 15.9-2.3
15	420 241 220	2	Adjustment screw
16	420 241 270	4	Taptite screw M5 x 25
17	420 640 524	4	Collar hexagone screw M10 x 80
18	420 640 534	4	Collar hexagone screw M10 x 120
19	420 931 590	2	Square ring
20	420 850 540	2	O-ring 83x2
21	420 613 700	1	Cylinderhead silver
22	420 950 320	1	O-ring 212x4
23	420 430 782	2	O-ring DIN 3771-23.3x2.4-N, MVQ 60
24	420 923 460	2	Cylinderhead cover silver
25	420 841 306	10	Collar hexagone screw M8 x 65 SW 11
26	420 941 621	2	Collar hexagone screw M8 x 56.5 SW 11
27	420 922 518	1	Thermostat 42 degr. with gasket
28	420 931 272	1	Thermostat gasket
29	420 922 025	1	Water outlet socket
30	420 941 250	3	Taptite screw M6 x 20
31	420 850 338	1	Gasket
32	420 922 062	1	Bent outlet socket
33	420 240 480	1	Plug screw 1/8-27NPT
34	420 941 451	1	Collar hexagone screw M6 x 40
35-38	420 867 879	2	Carburator socket with read valve assembly
36	420 924 680	4	Reed pedal
37	420 924 695	4	Pedal stop
38	420 941 215	12	Oval-head screw M3 x 5
39	420 941 925	12	Taptite screw M5 x 16

**ENGINE (CYLINDERS / HEAD / BASE) 7 - 8**

<b>Engine top end</b>			
<b>Ref.</b>	<b>P/N</b>	<b>Qty</b>	<b>Part descriptions</b>
40	420 850 552	2	Gasket
41	420 673 070	1	Exhaust manifold assembly
42	420 889 922	1	Gasket set engine
43	420 889 926	1	Gasket set cylinder
-			