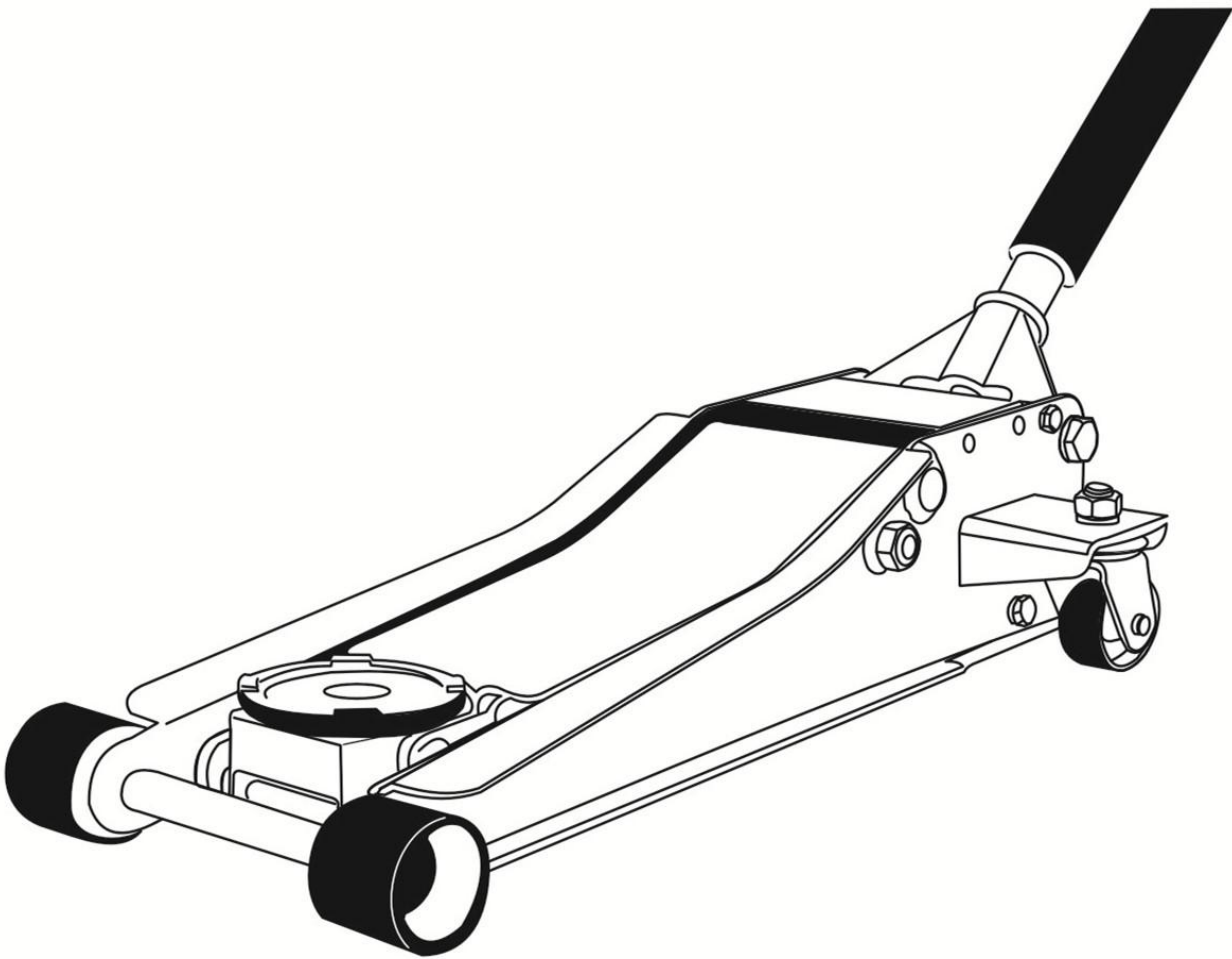


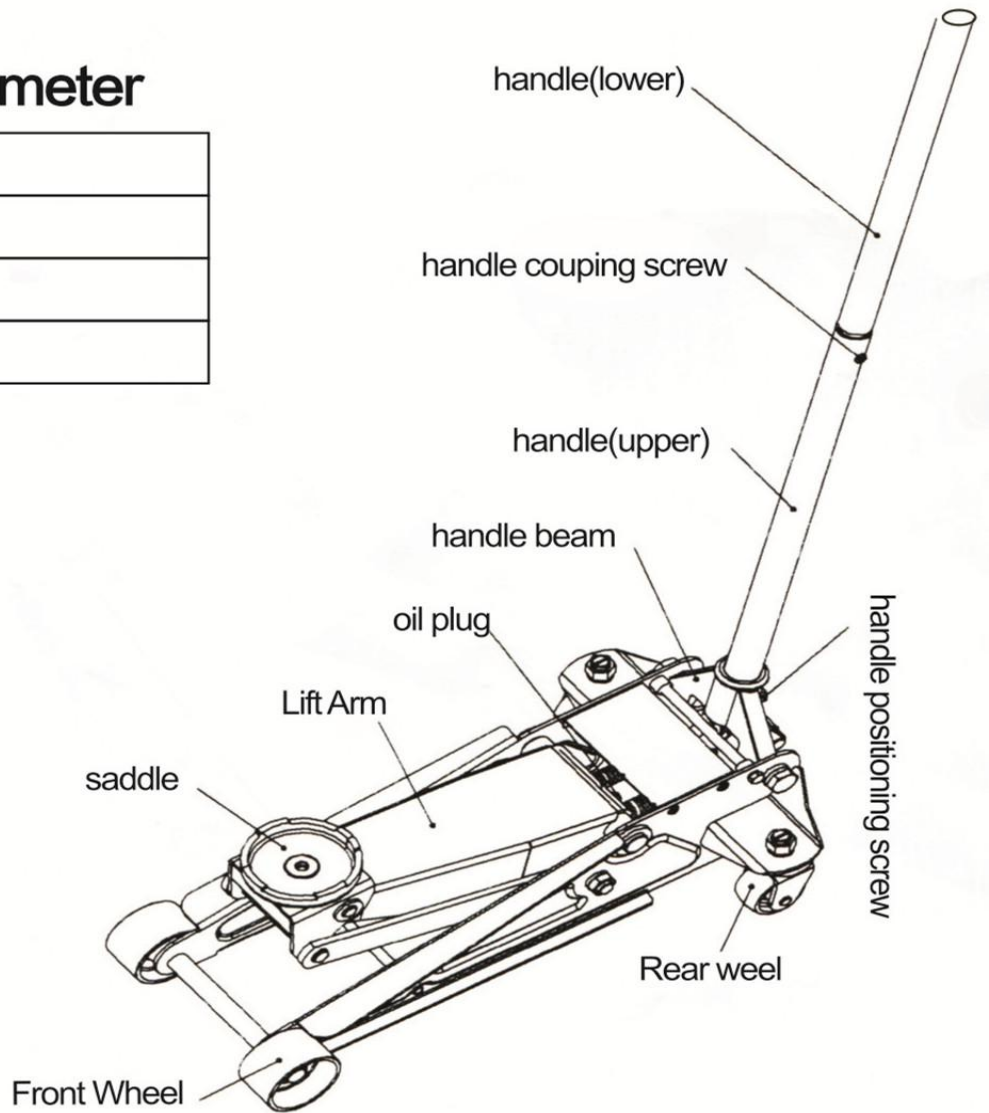
OWNER'S MANUAL



CAUTION: Carefully Read Instructions and
Procedures for Safe Operation

Product Parameter

Model	
Capacity	
Min .H	
Max.H	



Usage notes

! WARNING

1. Only the jack support while lifting, do not work up and down.
2. Position this jack to only lift on the areas of the vehicle as specified by the vehicle manufacturer.
3. Before lifting the vehicle, pls put the vehicle in working condition, and chock the wheel.
4. Do not lift no support vehicle (such as travel trailer、camper and so on).

! Safety Tips

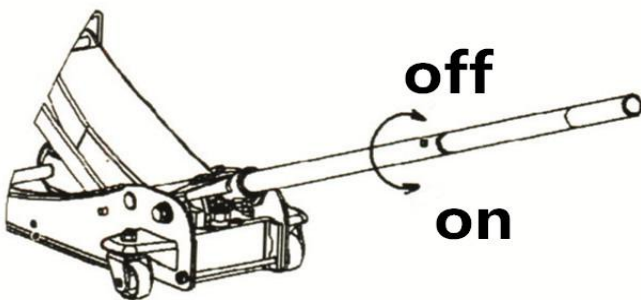
1. Learn about the lifting weight, Do not overload the jack beyond its rated Capacity.
2. Operate on a flat, hard surface.
3. Do not move or push the lifting vehicle while load.
4. This Jack is designed only for lifting purpose, do not use for other purpose.
5. After lifting, pls use safety stand to support.
6. Do not debug safety valve.
7. Do not use other spare parts to replace modern spare parts
8. Center load on jack saddle before lifting vehicle.

OPERATION INSTRUCTION

Preparation

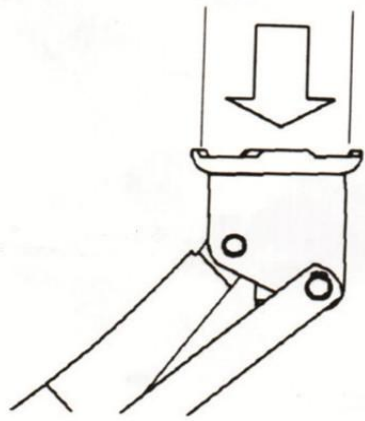
1. Use handle coupling screw combine the (lower) handle with the (upper) handle. Loosen handle positioning screw, add a little lubricant in handle beam hole, put assembled handle into handle beam hole, then tighten the handle positioning screw.

2. Press the saddle to the lowest level, loosen the oil plug, rotate the handle in anti-clockwise direction, open the release valve, quickly lift a few times, exhaust air from the system, tighten the oil plug.



lifting

1. Rotate the handle in clockwise direction until to close the release valve, do not tighten too much.
2. Place the jack under the lifting vehicle, make saddle can touch load firmly, if weight-bearing, check load whether fall to the central of the saddle again, make the jack not slipslip while use.
3. Handle move up and down, lift the vehicle. During lifting make sure no barrier while jack wheel move..
4. Lifting the desired height, put the safety stand to keep safety.



landing

1. Carefully carry out all the tools and spare parts from the bottom of the lifting vehicle.
2. Place the jack saddle below the lifting point., then rotate the handle in clockwise direction until the lifting vehicle reach to off-contact safety stand, then carefully move away the safety stand.
3. Slowly rotate the handle in anti-clockwise direction (rate of descent controled by release. opening level) make the lifting vehicle land to surface slowly.
4. When jack come down completely, store it in a completely dry and children no touch place.

MAINTENANCE AND REPAIR

Maintenance



Anyway find jack destroy or operate abnormal, pls not use until professional repair it

Hydraulic oil: Pls use good quality hydraulic oil (13#superior hydraulic oil), pls do not use mixture different hydraulic oil, do not use other oil or liquid. When add oil, do not make dust and dirt enter into the hydraulic system. Check the hydraulic system once every four month, make sure no rust. Change the hydraulic oil once every three years.

Lubrication: In order to make jack in good working condition,pls add lubrication for below lubricating point regularly:

- Handle beam hole
- Front Wheel and Rear weel
- Handle beam roller wheel
- Handle beam and rack joining area
- Rase body all joining area

Store: Clean the jack,when the jack come down completely,store it in a completely safe and dry place that children and unauthorized person can' t touch.

Faulty maintenance

Must be cautious to maintain the faulty jack,keep a certain safe distance with the lifting vehicie.Ask professsional examine and maintain.Before use must solve all the faulty

Problem Solving

Possoble Jack Problem					Simple solution(when make solution make sure jack no load)
Jack will not lift to full height	Jack will not lift load	Jack will not lower completely	Jack lift with vibration	oil plug leaking	
X	X				Check release valve whether tightly closed
					Exclude the gass of the system
					Dust and dirt enter into the hydraulic system,Let professsional maintain
					There is too little hydraulic oil in the cylinder,check the oil level,if required add oil again.
		X			Return spring damaged;piston rod stucked;Release valve rod damaged,ask professsional maintain.
			X		Excude the gas of system.
				X	There is too much hydraulic oil in the cylinder,check the oil level,if required adjust it.

PARTS LIST

No.	Parts description	Qty	NO.	Parts description	Qty
1	Retaining Ring	2	19	handle beam	1
2	Washer	2	20	Handle screw	1
3	Front Wheel	2	21	handle(lower)	1
4	Rack	1	22	Handle Sleeve	1
5	Spring washer	4	23	Bolt	1
6	Nut	2	24	handle(upper)	1
7	Rear weel	2	25	Cylinder assembly	1
8	Spring washer	4	26	Tension Spring	2
9	Screw	4	27	Split Cotter	1
10	Pull Rod	2	28	Retaining Ring	2
11	Spring washer	4	29	Connecting Rod	1
12	Screw	4	30	Lift Arm	1
13	Limit Circle	2	31	positioning screw	1
14	handle beam Screw	2	32	Saddle	1
15	Spring washer	2	33	Retaining Ring	2
16	Nut	2	34	Connecting Rod	2
17	Cover plate screw	4	35	Bolt	2
18	Cover plate	1			

