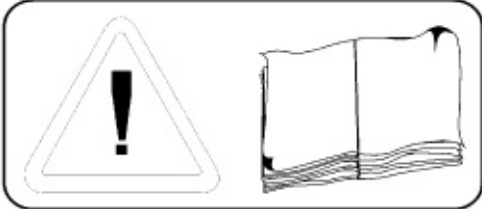


INSTALLATION, OPEATION, MAINTENANCE MANUAL



*Manufacturer keeps the rights to improve the contents in this manual

SCISSOR LIFT

ITEM NO: JH-2800S

**FOLLOW THE INSTRUCTIONS CAREFULLY TO GRANT THE MACHINE A CORRECT FUNCTION
AND LONG SERVICE LIFE**

TABLE OF CONTENT

STRUCTURAL REPRESENTATION.....	1
MAIN PARAMETER.....	2
TECHNICAL FEATURES.....	2
INSTALLATION.....	2
OPERATION.....	3-4
SAFETY INSTRUCTION.....	5
MAINTENANCE.....	6
TROUBLE SHOOTING.....	7

STRUCTURAL REPRESENTATION

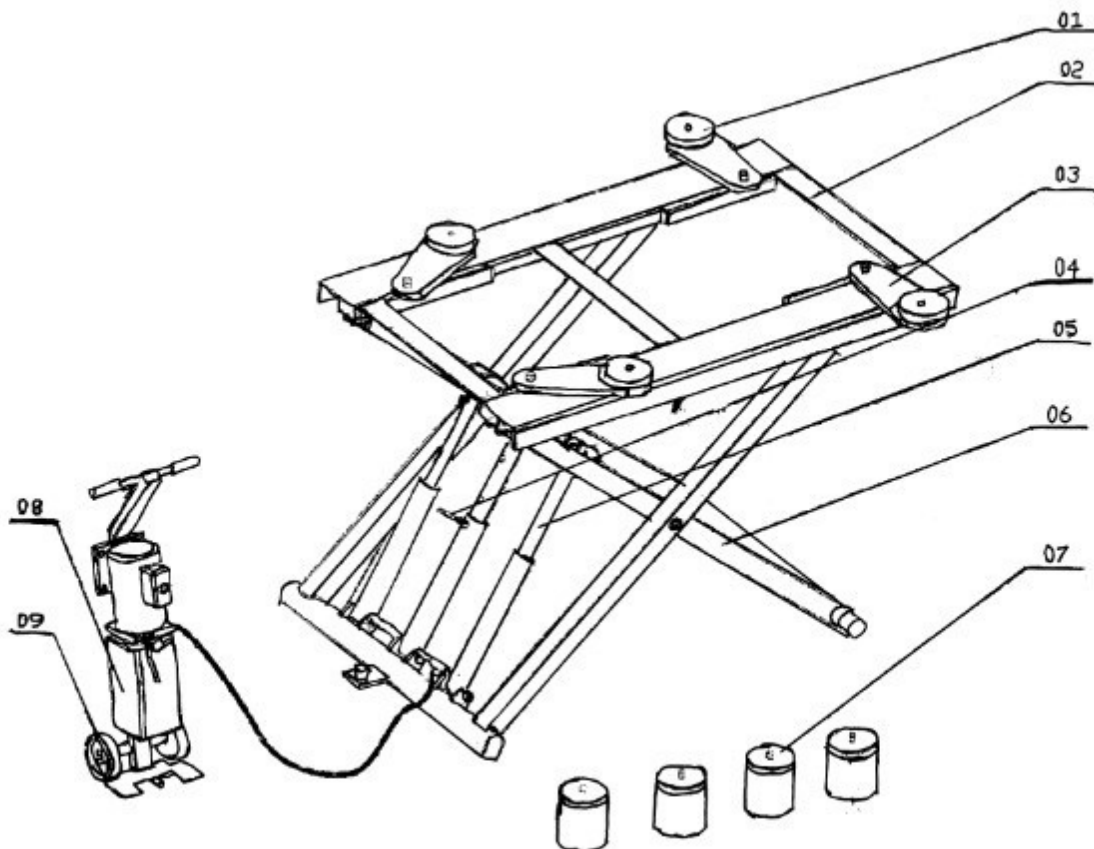


fig 1

01 LIFTING RUBBER
04 SAFETY LOCK
07 ADAPTER (OPTIONAL)

02 UPPER PLATFORM
05 HYDRAULIC CYLINDER
08 HYDRAULIC PUMP

03 LIFTING BRACKET
06 LIFTING ARM
09 PUMP DOLLY

MAIN PARAMETER

Min. height	96mm
Min. working height	120mm
Width	1080mm
Max. working width	1280mm
Max. working height	1200mm
Total length	2200mm
Platform length	1680mm
Lifting weight	2800kg
Weight	400kg
Power supply	380v/220v

TECHNICAL FEATURES

1. CONVENIENT FOR CAR ENTERING

As the midway of most car are higher, this lift can be pushed to the car bottom from the sideway direction of cars. It is more convenient for operation, more simple and save effort.

2. LIGHT WEIGHT

Flexible moving, and the lowest minimum height suitable for various cars.

3. HIGHER LIFTING HEIGHT

Compare with the similar size products, it has the higher lifting height, convenient for maintenance.

4. HIGHER SECURITY

Working position utilizing mechanical lock and oil pressure double security.

5. CONVENIENT STORING

No need to fix with the floor during operation.

INSTALLATION

PLEASE READ THE FOLLOWING INSTRUCTIONS BEFORE INSTAL THE LIFT

STEP ONE:

Open the oil tank cover of electric hydraulic pump, and pour the hydraulic oil into the tank.
(We suggest choose AW 32.46 or other good quality garage hydraulic oil)

Attention: Please do not fill up the tank.

STEP TWO:

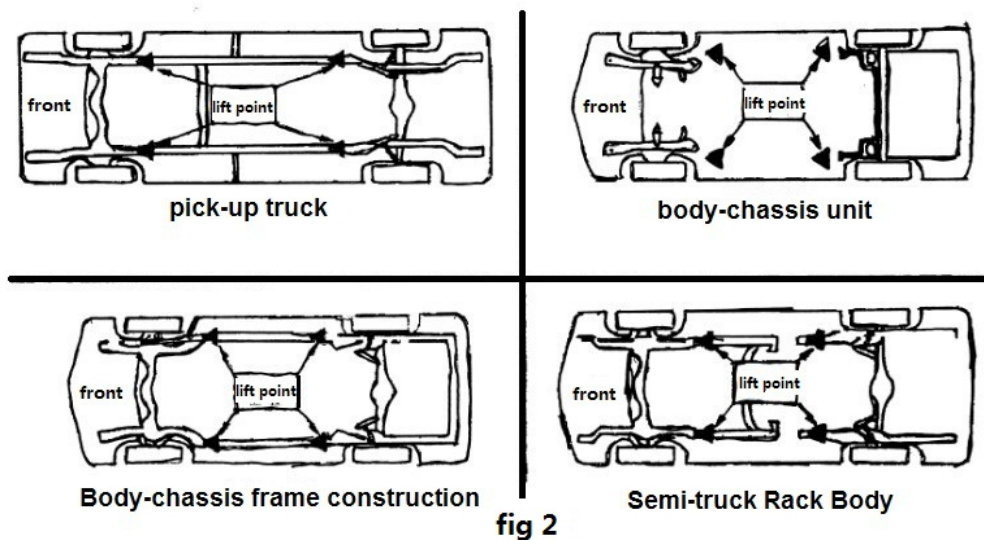
Connect the one joint of high pressure hose to the oil-out of electric hydraulic pump, another joint connect to the oil-in of the hydraulic cylinder.

Attention: Please use the seal tape to seal the thread, in case of oil leak.

OPERATION

BEFORE OPERATION

1. Check all the pipelines and joints before use. The machine only can be used after there is not any leakage.
2. The lift, if its safety device malfunctions, shall not be used.
3. Before lifting a car, adjust height of every support point keeping at same level.
4. When operating, load distribution must accord with the stated specified load in the manual: Max Lifting weight 2.8Ton, Max lifting weight of each support point is 0.7Ton.
5. The machine shall not lift or lower an automobile if the center of gravity of automobile is not within the supporting range of the supporting device. Otherwise, the manufacturer will not bear any responsibility for the consequence resulted from the operation above mentioned. (as shown on fig 2)
6. The staff or operators shall be in a safe position when the machine lift or lower.
7. Raise and lower several times to make sure no air in the cylinder. Air inside of the cylinder makes raising not smoothly.



RAISING THE LIFT

1. Make sure that you have read the operation manual before operation.
2. Push the lift to suitable position. (as shown on fig 3)
3. Connect the Dolly with the lift, and then push the lift to the midway of front-and rear-wheel. Adjust the swing lift arms so that the vehicle is positioned with the center of gravity of midway between pads.
(Attention: Please let the dolly leave lift after this step)
4. Raise the lift by pressing the push button on electric hydraulic pump until the pads touch

firmly the right points and recheck if the vehicle is secure when lift to around 100mm height by shaking the car.

5. Press lowering handle on the electric hydraulic pump to make the lift in safe condition, then perform maintenance or repair work.

LOWERING THE LIFT

1. Clean all the obstacles before lowering the vehicle.
2. Release safety lock by the handle on top dolly, then press the lowering handle and the lift will raise up a little, and then go down.
3. Release your finger when vehicle lowered to the height you want.

Attention: Do not press the lowering handle violently, especially lowering with a car. Please pay more attention to the safety.

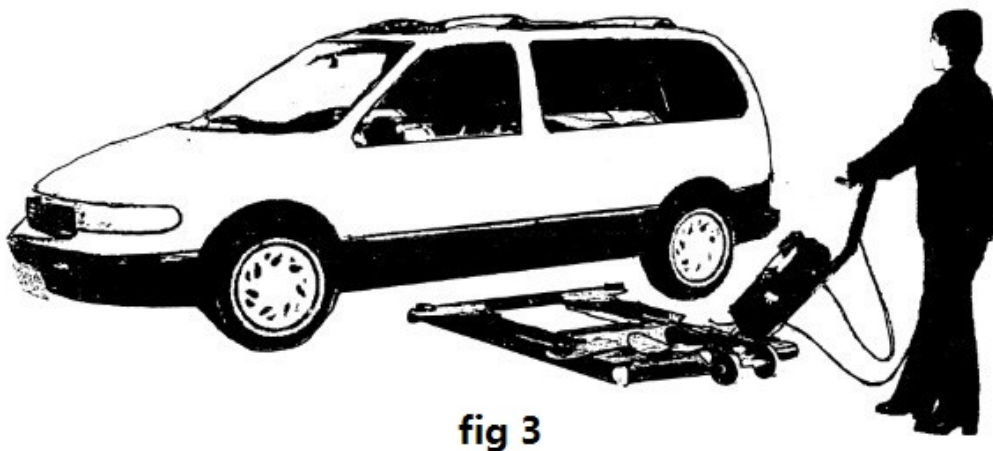


fig 3

MOVING THE LIFT

1. Lowering the lift to the min. height.
2. Cut off power supply, and then leave the power wire from the outlet, in case of damage when moving the lift.
3. Connect the dolly connection with the lift connection, press the dolly until the lift leave floor. (as shown on fig 4)
4. Push the dolly to the needed position.
5. The lift occupying small space, movable side storing, occupying very small space at non-working status.

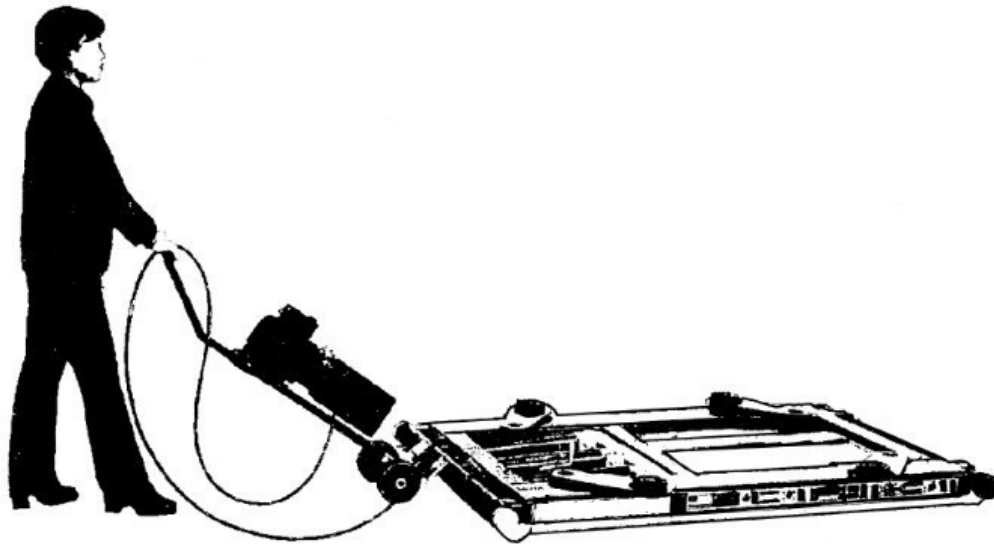


fig 4

SAFETY INSTRUCTIONS

1. Read and understand all safety warning procedures before operating the lift
2. The lift, in its standard version, is not designed for outdoor use
3. Keep hands and feet away from any moving parts. Keep feet clear of lift when lowering
4. The lift may only be used by qualified staff, properly trained for the specific use of the machine.
5. Do not wear unfit clothes such as large clothes with flounces, ties, etc, which could get caught by moving parts of the machine.
6. The lifts surrounding area must be free from people or objects which could be a danger for lifting operations
7. The lift only designed to lift the entire body of vehicle, having maximum weight not more than the lift capacity
8. Always insure the safety devices are engaged before any attempt to work on or near vehicle.
9. The vehicle must be centered and positioned in a stable correct way with respect to the posts and following the instruction given by manufacturer
10. Make sure that the machine and its devices are working correctly, according to the specific instructions for maintenance.
11. Lower the lift to its lowest position when service finish.
12. Do not modify the machine without manufacturer's advice.
13. If the machine is not to be used any more, owners are suggested to make it unusable by removing the power supply connections, emptying the oil tank and disposing the liquids by ring way.
14. If the lift is to be left unused for a long period, proceed as follows
 - a. Disconnect the energy source;
 - b. Empty the control unit tank;
 - c. Grease the moving parts which might be damaged by dust or drying out.



We will give the user one-year warranty of quality for the machine. If something wrong with the machine within the term of service, we will repair or replace the product according to the user's demand. The manufacturer will not take any responsibility for improper installation and operation, overload running, wrong concrete ground (that can not meet the requirements in the manual), normal mechanical abrasion and insufficient maintenance. The warranty will be carried out on the basis of the type and serial number of the equipment. Therefore, the users shall provide them to the manufacturer without fail.

The several pieces of maintenance operations to be carried out are described below. A low operating cost and a long life of the machine are from routine observation of there operations.

The listed intervention times are given for information and they refer to normal operating conditions. They can change according to the kind of service, environment, frequency of use, etc.

1. DAILY PRE-OPERATION CHECK

The user should perform daily check. Daily check of safety latch system is very important the discovery of device failure before needed could save you from expensive property damage, lost production time, serious personal injury, even death.

- . Check safety lock audibly and visually while in operation.
- . Check hydraulic connections, and hoses for leakage.
- . Check chain connections, cable connections, wiring and switch for damage.
- . Check bolts, nut and screws and tighten.
- . Check swing arm restraints.

2. WEEKLY MAINTENANCE

- . Check the cleanness of the mobile parts.
 - . Check the safety device as previously described.
 - . Check hydraulic fluid level as follow: let the trolleys go up completely and in case they do not reach maximum height, add oil.
 - . Check and tighten bolts, nuts and screws.
3. **MONTHLY MAINTENANCE**
- . Check the tightening of screws.
 - . Check the hydraulic system seal and tighten the loose unions, if necessary.
 - . Check the greasing and wear condition of pins, rollers, bushes, of trolley structure as well as arms and relevant extensions, if necessary, replace the damaged parts by original spare parts.
4. **YEARLY MAINTENANCE**
- . Empty the tank and check the conditions of the hydraulic fluid. Clear the oil filter.

If the above maintenance operations are carried out, there will be an advantage for the user, who will find the equipment in perfect condition each time he restarts work.

TROUBLE SHOOTING

1. MOTOR DOES NOT RUN

- A. Breaker or fuse blown. Replace it.
- B. Motor thermal overload tripped. Wait for overload to cool.
- C. Faulty wrong connections. Call electrician for checking.
- D. Defective up button. Call electrician for checking.

2. MOTOR RUNS BUT WILL NOT RAISE

- A. a piece of trash is under check valve. Push handle down and push the up button at the same time. Hold for 10-15 seconds, which should flush the system.
- B. Check the clearance between the plunger valves of the lowering handle.
- C. Remove the check valve cover and clear the ball and seat.
- D. Oil level too low. Oil level should be just under the vent cap port when the lift is down.

3. OIL BLOWS OUT BREATHER OF POWER UNIT.

- A. Oil reservoir overfilled.
- B. Lift lowered too quickly while under a heavy load.
- C. Bad capacitor. Call electrician for checking.
- D. Low voltage call electrician for checking.
- E. Lift overloaded.

4. MOTOR HUMS AND WILL NOT RUN

- A. Impeller fan cover is dented. Take off and straighten.
- B. Faulty wiring. Call electrician for checking.
- C. Bad capacitor. Call electrician for checking.
- D. Low voltage call electrician for checking.

E. Lift overloaded.

5. LIFT JERKS GOING UP AND DOWN

A. Air in hydraulic system. Raise lift all the way to the top and return to floor. Repeat several times. Do not let this overheat the power unit.

6. OIL LEAKS

A. Power unit: if the power unit leaks hydraulic oil around the tank mounting flange check the oil level in the tank. The level should be two inches below the flange of the tank. Check with a screwdriver.

B. Rod end of the cylinder. The rod seal of the cylinder is out. Rebuild or replace the cylinder.

C. Breather end of the cylinder: the piston seal of the cylinder is out. Rebuild or replace the cylinder.

7. LIFT MAKES EXCESSIVE NOISE

A. Leg of the lift is dry and requires grease.

B. Cylinder pulley assembly or cable pulley assembly is not moving smoothly.

C. May have excessive wear on pins or cylinder yoke.