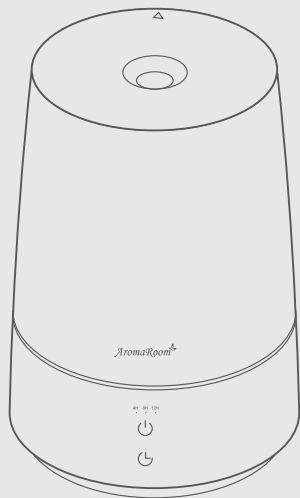


AromaRoom

## ULTRASONIC HUMIDIFIER

Instruction Manual

Model: HU5001



Customer Service: support@aromaroomshop.com

### READ AND SAVE THESE INSTRUCTIONS WARNINGS



This product should be used only in accordance with the specifications outlined in this manual. Usage other than what has been specified here may result in serious injury.

- CAUTION: To reduce the risk of severe burns, keep this product out of the reach of children and pets.
- Disassemble or remodel by the unauthorized people may result in serious harm and would void the manufacturer's warranty.
- Place the humidifier horizontally, or it may not work properly at uneven place.
- Do not place cloth, carpet or other absorbent products on this humidifier, which will block the air inlet.
- Mist nozzle should not be placed towards to wooden furniture, wooden floor or any products that could be possibly damaged by moisture. Manufacturers do not accept any liability for damage in the case of wrong placement of humidifier.
- Do not use when the plug is damaged or loose.
- Keep unplugged before filling or cleaning.
- Once the humidifier has been plugged in, do not tilt or move the unit.
- Do not remove the water tank from the unit while it is on.
- Do not handle the plug with wet hands.
- Do not excessively bend, twist, pull or damage the power cord.
- Mist output should not be sprayed directly to people or object when the humidifier is operating.
- Do not inhale the mist / vapor that expelled from the machine or drink water in the tank.
- Do not fill the water tank with hot or boiling water.
- Do not use the product under sunlight exposure. Keep the product away from heat sources, such as a stove, heater and radiator.
- Do not use when the water tank is cracked or damaged.
- Do not keep this product running for an extended period of time.

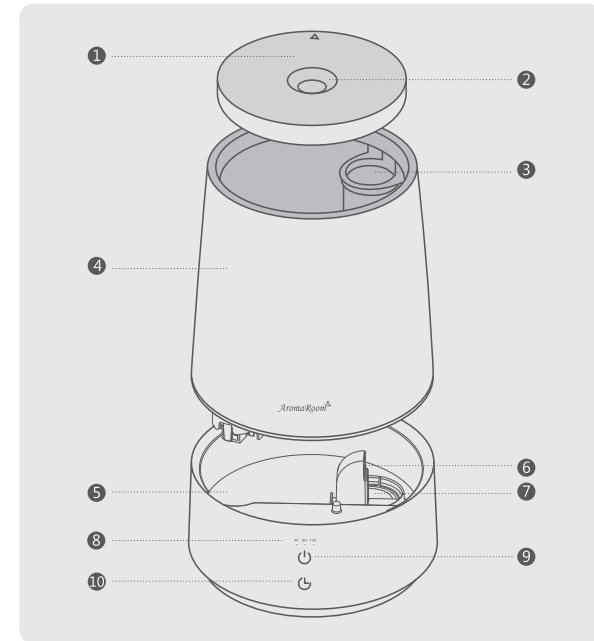
- Unplug the cord when not in use for an extended period of time or when no one is at home.
- Do not leave water in the tank when not in use for an extended period of time.
- Do not use any kind of detergents or chemicals while clean the unit, water tank or water reservoir.
- Use of water additives, such as essential oils, fragrances, water conditioners or other else, will damage the appliance itself.
- Use of any kind of additives will void the manufacturer's warranty.
- Do not use the product when close to any other electronic devices.
- Do not cover the spray spout at any time during use. Do not put anything on or in the tank.
- IMPORTANT: Neither humans nor animals can hear the high frequency vibrations.
- When unplugging from outlet hold humidifier securely.
- Do not place cord over object
- Do not use the product when near the pool. Never get water to the power cord or the electric base that connects to the power cord.
- Do not touch the water tank during operation
- Do not immerse the unit in water or pour water on the unit.
- When emptying water in the tank, pour it from drain side.
- Do not cover the mist outlet with cloth or hand.
- Use clean or distilled water. Use of hard water will require frequent cleaning and maintenance.

### PRODUCT SPECIFICATIONS AND PARTS

#### SPECIFICATIONS

|             |                      |
|-------------|----------------------|
| Model       | HU5001               |
| Humidifying | Ultrasonic Cool Mist |
| Input       | 100-240V, 50/60Hz    |
| Rated Power | 20W                  |
| Capacity    | 3L                   |

### DIAGRAM



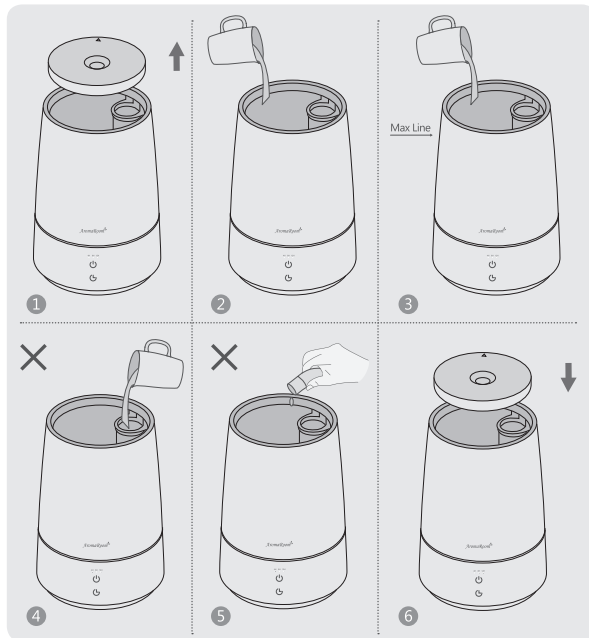
- ① Tank Lid
- ② Mist Nozzle
- ③ Mist Pipe
- ④ Water Tank
- ⑤ Base
- ⑥ Mist Outlet
- ⑦ Nebulizer
- ⑧ Indicator Light
- ⑨ Power Button
- ⑩ Timer Button

## USAGE AND FUNCTIONS

### SET UP

Place the humidifier on a level, elevated and water-resistant surface. Position the humidifier at least 6 inches (15CM) from any wall or object for proper air flow. Make sure the room is well-ventilated. Direct the nozzle away from furniture and floor to prevent moisture damage. Do not place the humidifier

### FILLING



1. Remove the lid from the top the the water tank.
2. Fill the tank with water.
3. Do not exceed the MAX line.
4. Do not pour the water into the mist pipe which will cause malfunction.
5. Do not add essential oils into the water tank.
6. Put back the lid in the right place.

### FUNCTIONS

Power button:

Plug the humidifier into a wall outlet. Now the humidifier is ready for use. Tap Power Button to turn your humidifier on. Tap repeatedly to change the mist setting and light setting.

1. Tap Power Button once, Power Button in Blue. Machine works at High Mist Mode. Night Light in Yellow.
2. Tap Power Button twice, Power Button in Green. Machine works at Low Mist Mode. Night Light in Yellow.
3. Tap Power Button again, Power Button No Color. Humidifier is OFF.
4. Tap Power Button for 1.5 seconds, Night Light is OFF. Machine runs into sleep mode. Tap any buttons again, Night Light is ON. Machine resumes to its previous running mode.

**Note: High Mist Mode is the default setting when the humidifier is first turned on.**

Timer button:

1. Tap Timer Button once, 4H Indicator Light in Blue. Machine will automatically shut off after 4-Hour-Use.
2. Tap Timer Button twice, 8H Indicator Light in Blue. Machine will automatically shut off after 8-Hour-Use.
3. Tap Timer Button the third time, 12H Indicator Light in Blue. Machine will automatically shut off after 12-Hour-Use.
4. Tap Timer Button the fourth time, Timer Function will shut off.

Tank Removal Auto Shut Off

Humidifier is ON. If the tank is removed, the transducer will turn off and the machine will stop working. Power Button blinks Green for 3 seconds and go into standby mode. Place the water tank back and tap the Power Button, machine will restart working.

Waterless Auto Shut Off

If the humidifier runs out of water or there is no water in the tank, the machine will stop working. Power Button blinks Green for 3 seconds and go into standby mode. Refill water and place the water tank back. Tap the Power Button, machine will restart working.

### CLEANING AND MAINTENANCE

Before any cleaning operation, switch the appliance off and unplug it.

Always unplug the unit before cleaning.

Pour out the left water from the water tank.

Mineral deposits may exist in the nebulizer, particularly for those who live in the hard water areas. Deposits will gradually affect the process and performances of humidification. Please clean the nebulizer with a brush or a soft cloth by using water and vinegar frequently.

1. Dampen a cloth or brush with vinegar and wipe the nebulizer gently, until the mineral deposit disappears.
2. Rub down with a dry cloth and remove the remained moisture.
3. Do not rub the nebulizer with hard or abrasive objects.
4. Do not clean with chemical products.
5. Prevent the base part from getting water inside when cleaning.

### METHOD OF STORAGE

- Follow the instructions of CLEANING AND MAINTENANCE when the humidifier will be stored.
- Dry the humidifier completely before storing.
- Please put the product in dry and cool place.

### A NOTE ABOUT HUMIDITY

1. It is the best to keep the humidity level at about 30-50 percent of relative humidity.

2. The comfort level of humidity will vary from room to room and with changing room conditions.

3. In cold weather, especially in unventilated areas, windows and even some walls may fog or develop frost from excessive indoor humidity. If this occurs, reduce the mist intensity setting to avoid damage from condensed water dripping in windows or walls.

4. Excessive humidity in room may result in the growth of bacteria and fungi and the damage of furniture, wall and wallpapers.

5. To eliminate excessive humidity, especially in small rooms, leave the room door open and adjust the mist intensity control setting.

### CORRECT DISPOSAL OF THIS PRODUCT



(Waste Electrical & Electronic Equipment)

This Marking shown on the product or its literature, indicate that it should not be disposed with other household wastes at the end of its working life.

To prevent possible harm to the environment or human health from uncontrolled waste disposal, please separate this from other types of wastes and recycle it responsibly to promote the sustainable reuse of material resources.

Household user should contact either the retailer where they purchased this product, or their local government office, for details of where and how they can take this item for environmentally safe recycling.

Business users should contact their supplier and check the terms and conditions of the purchase contract. This product should not be mixed with other commercial wastes for disposal.