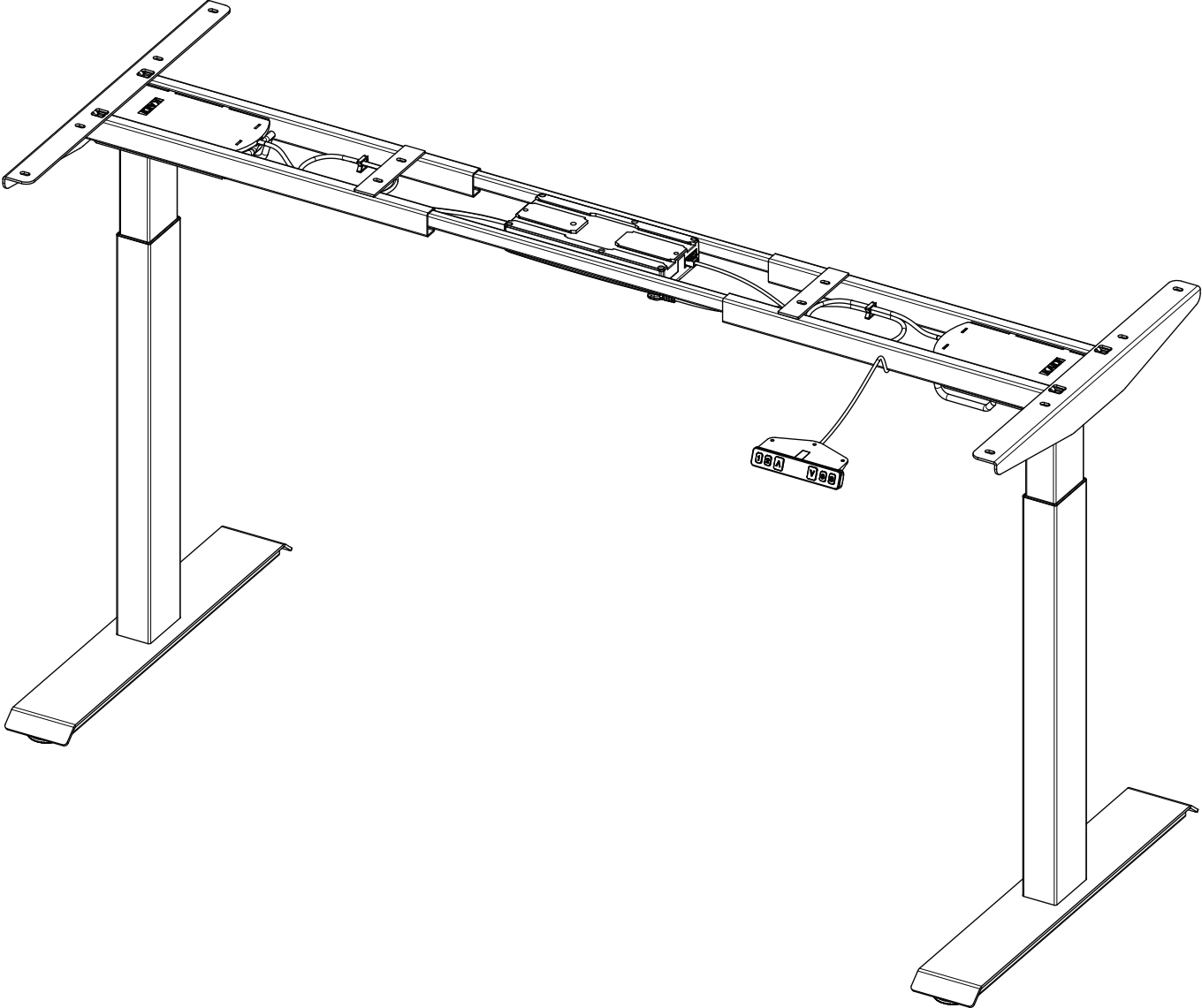


ELECTRIC HEIGHT ADJUSTABLE TABLE

Assembly Instructions



For Quick Install 2-leg based on
Frame Model KDTJ033B

WARNINGS



Carefully read all instructions and review all illustrations before installing. Failure to observe these warnings could result in a fire, electric shock, or personal injury.



Table should be built in the room it is intended to be used in. Use two people with flipping or moving the table.



Ensure there are no obstacles above or below the table that would prevent movement. All cords must be appropriate length to accommodate the table's full range of height.



Keep unsupervised children away from this height adjustable table. Ensure children understand the dangers of operating this table without supervision.



Keep electrical components away from liquids. Components to be opened by professional technicians only. Use this table indoors only.



Do not sit or stand on table's base or worksurface. Weight rating is 220 lbs; including worksurface. Do not exceed.



This table is designed for a 10% duty cycle, meaning, for every minute of operation the table should be allowed to rest for 9 minutes.



In the event of a power outage, or if any cord is unplugged, an initialization is required.

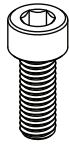
COMPONENTS AND TOOLS



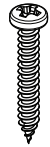
M5 x 20 mm
12x



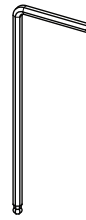
M5 x 25 mm
2x



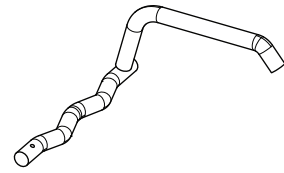
M6 x 15 mm
8x



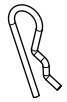
M3 x 20 mm
3x



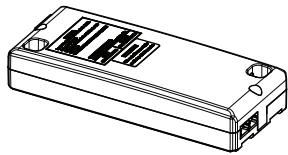
Allen Wrench
1x



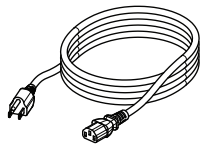
Cam Lever
2x



Cotter Pin
2x



Control Box
1x



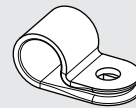
Power Cable
1x



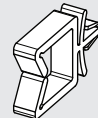
Lifting Column Cable
Optional
2x

Wire Management Clips

Optional



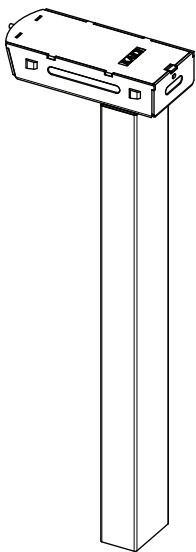
10x



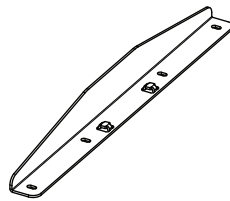
4x



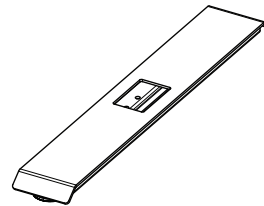
M3.5x16mm
10x



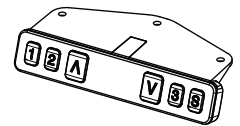
Lifting Column
2x



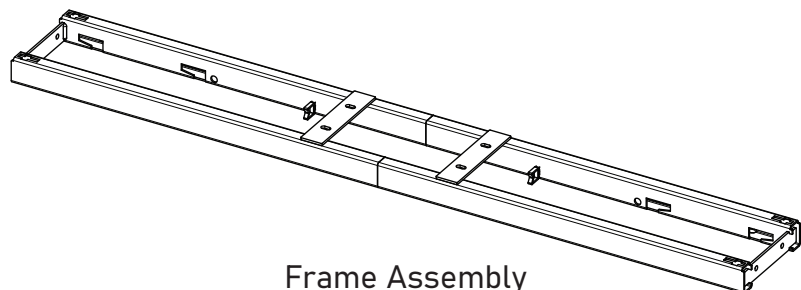
Side Beam
2x



Foot
2x

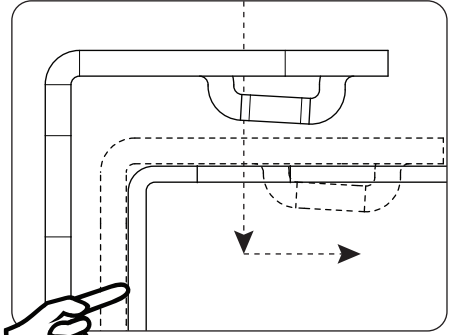
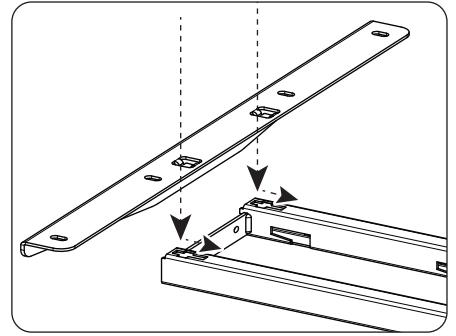
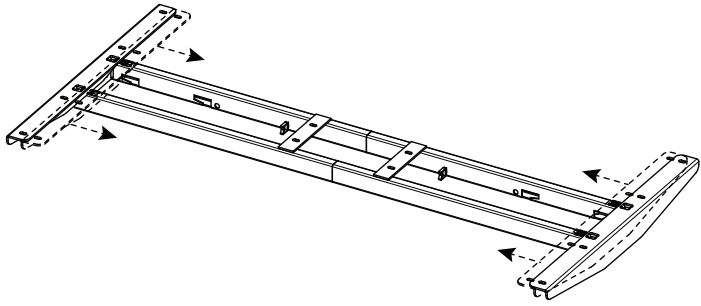
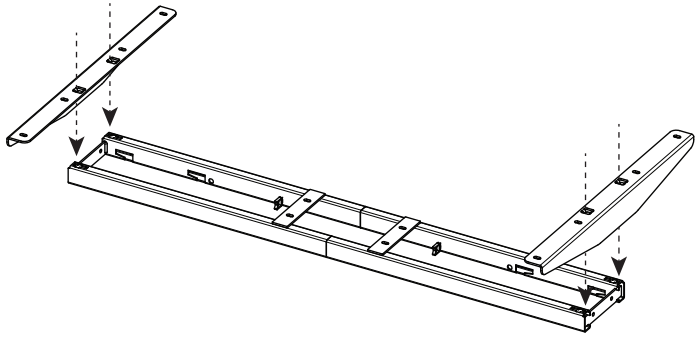


Control Keypad
1x

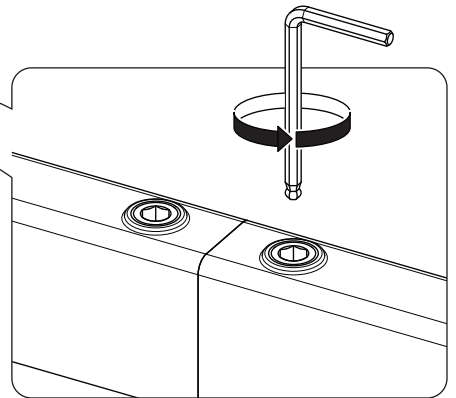
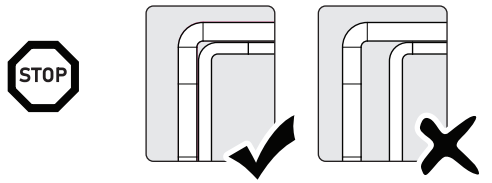
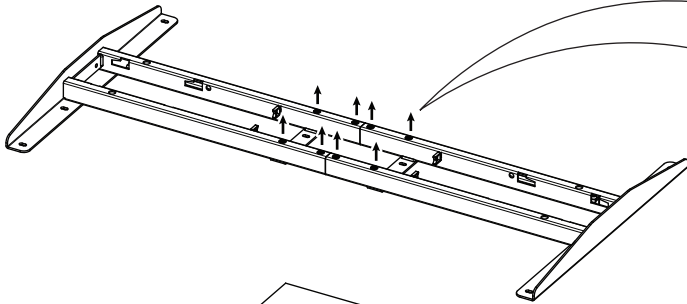
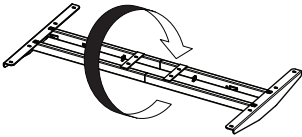


Frame Assembly
1x

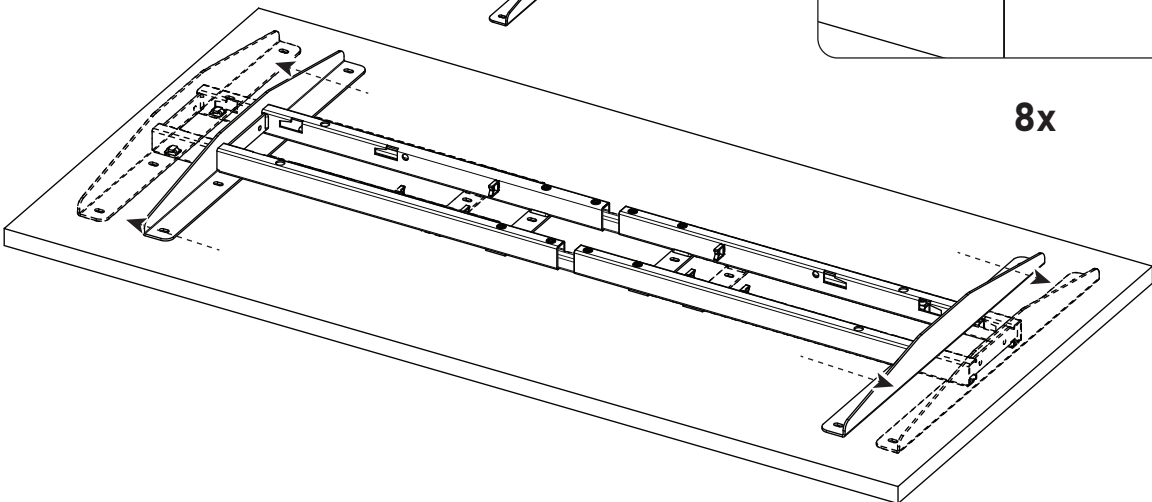
1



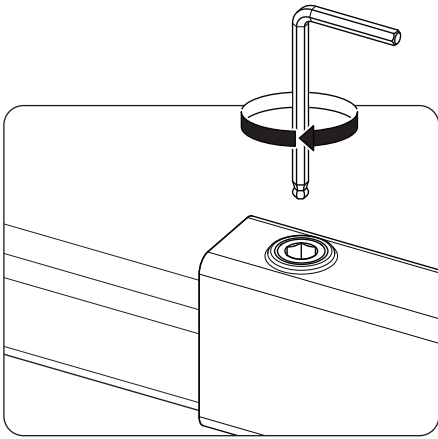
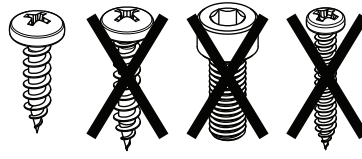
2



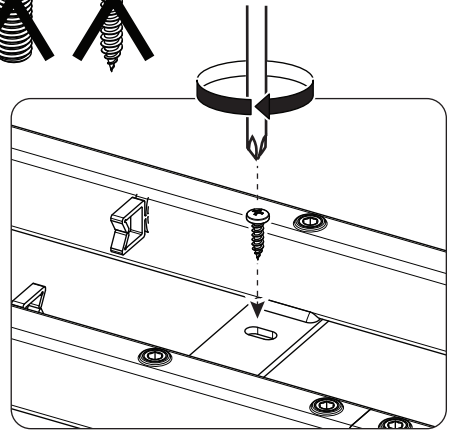
8x



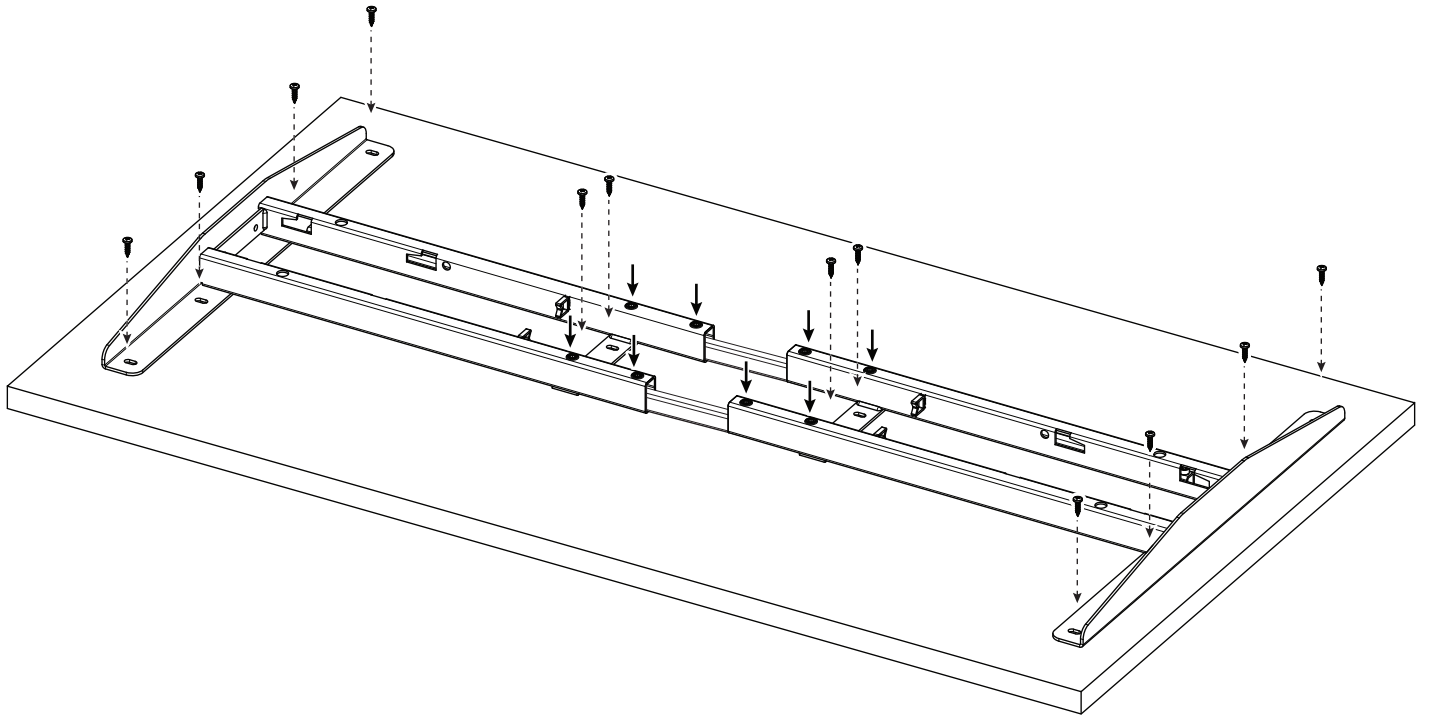
3



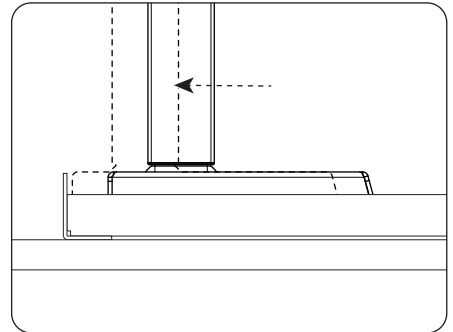
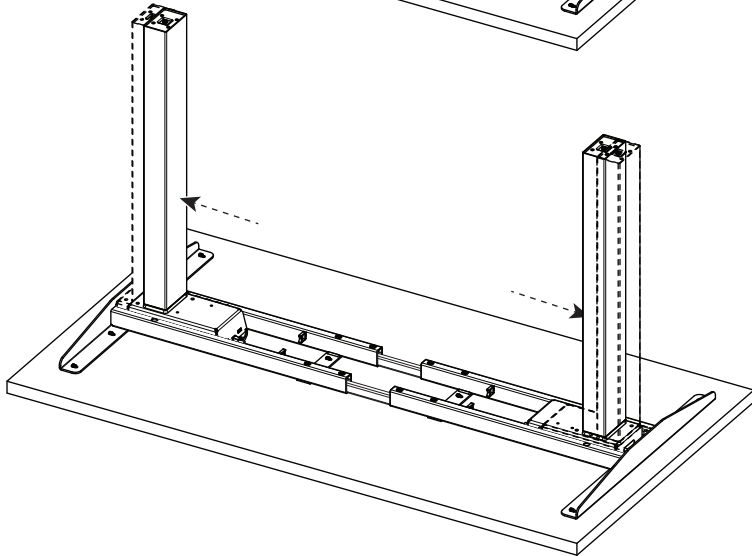
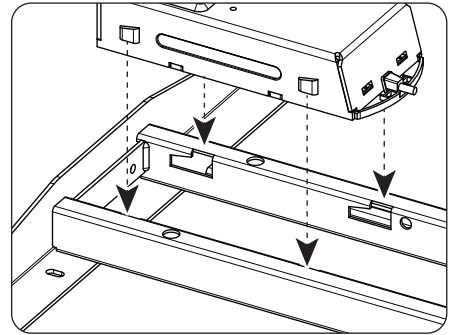
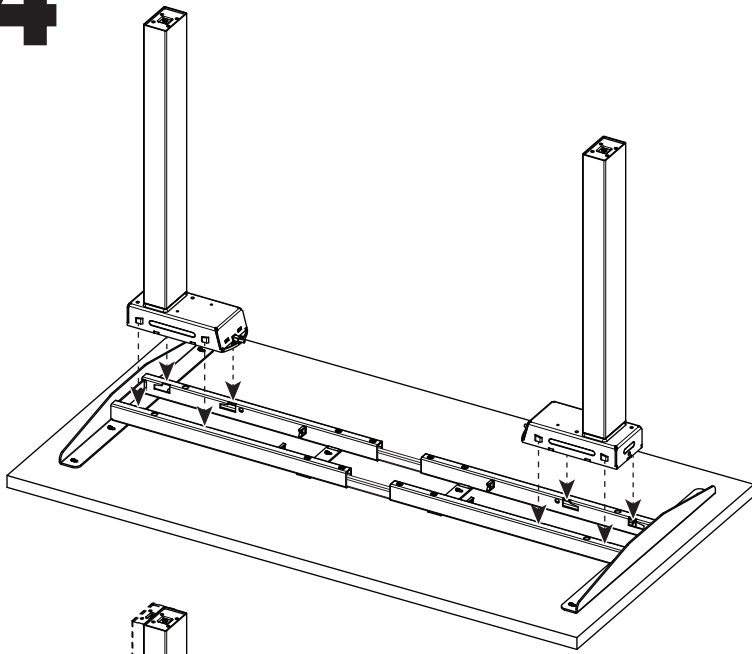
8x



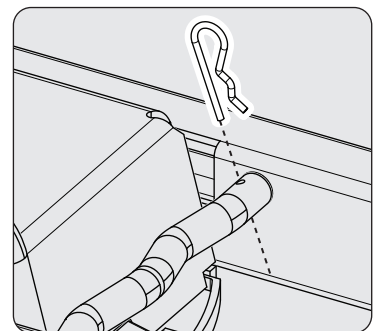
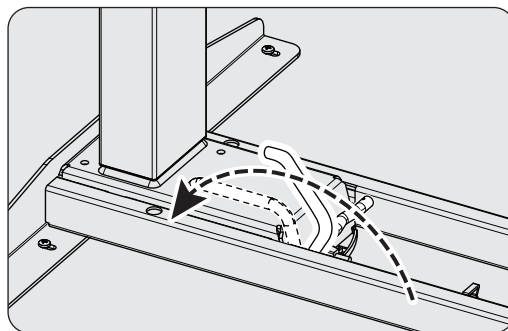
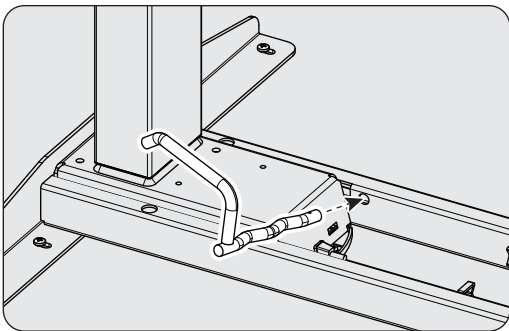
12x



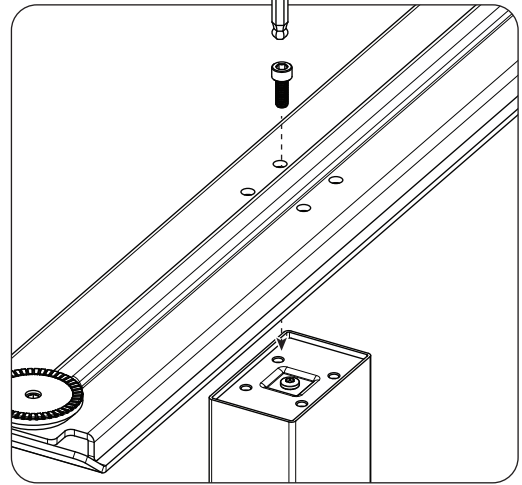
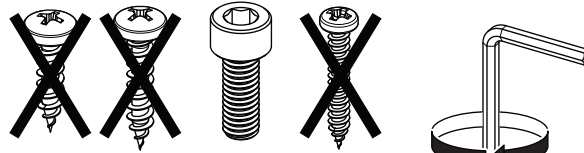
4



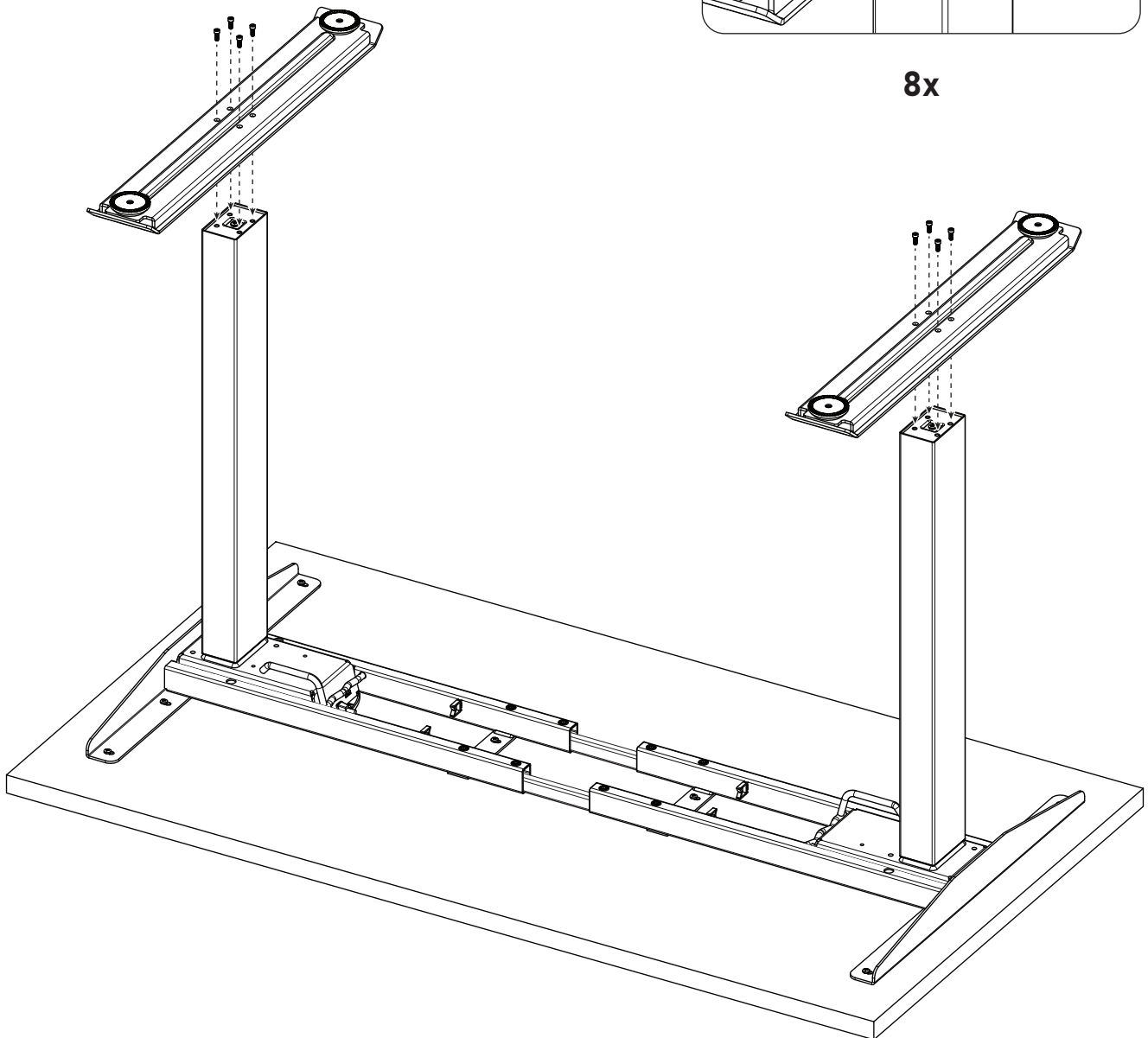
5



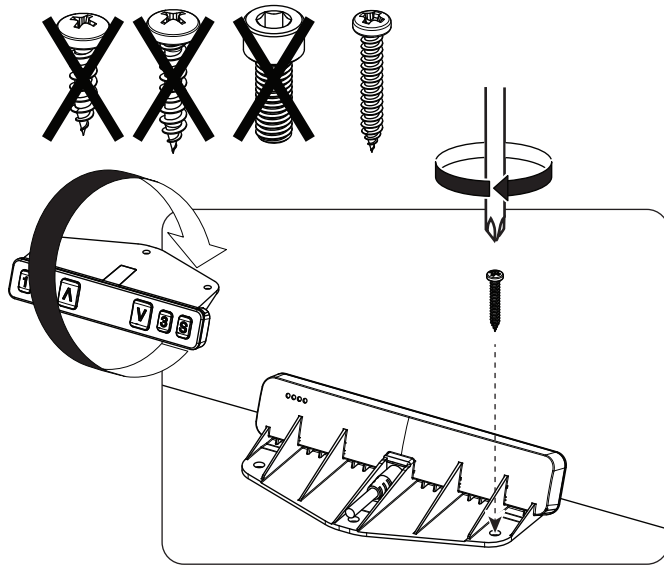
6



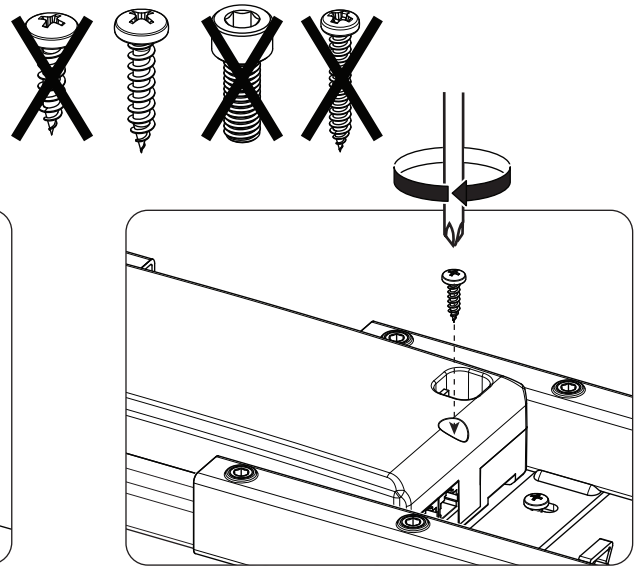
8x



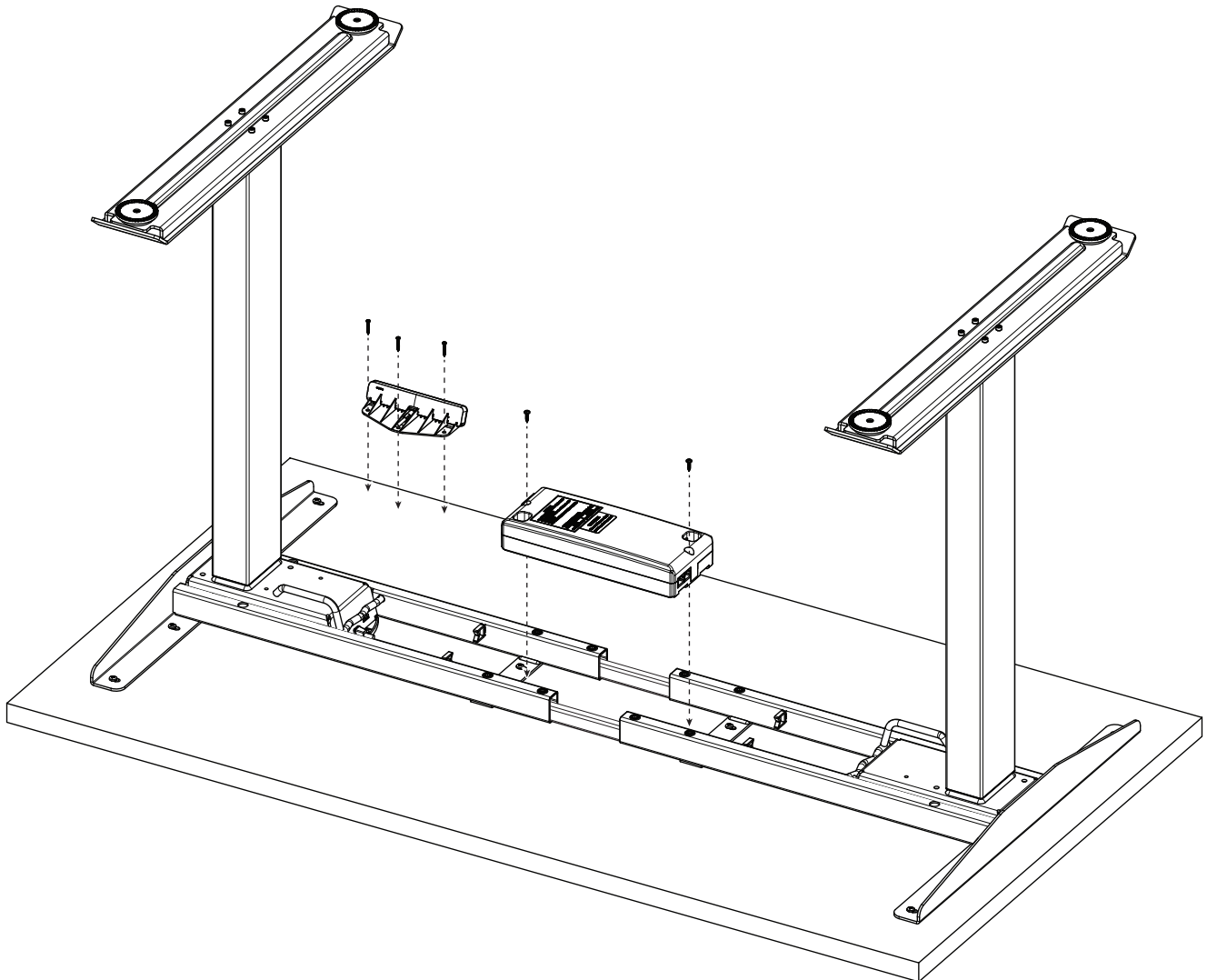
7



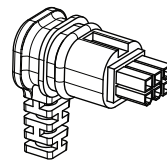
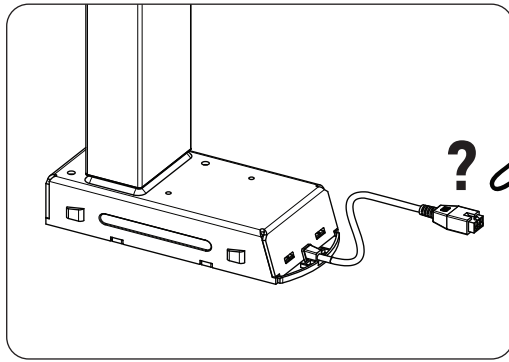
3x



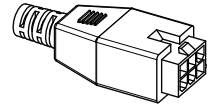
2x



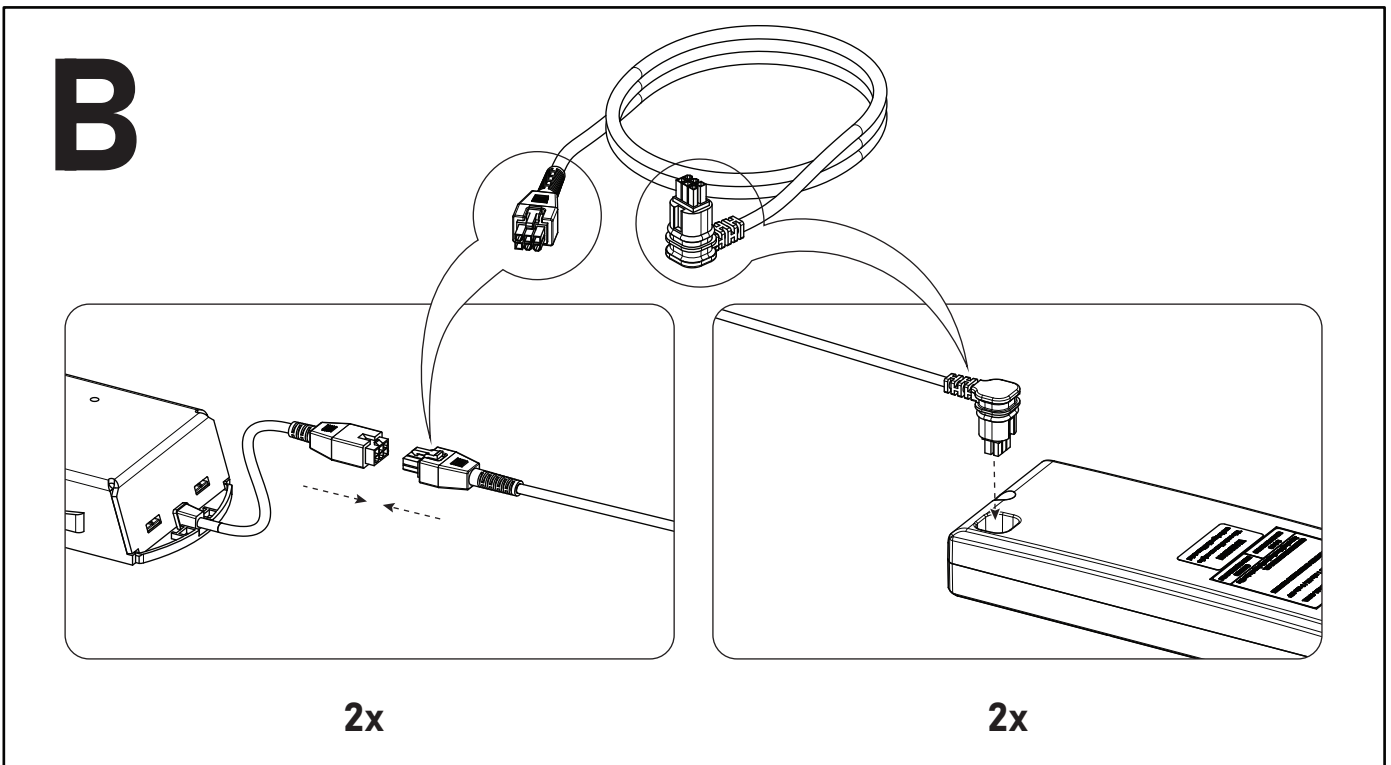
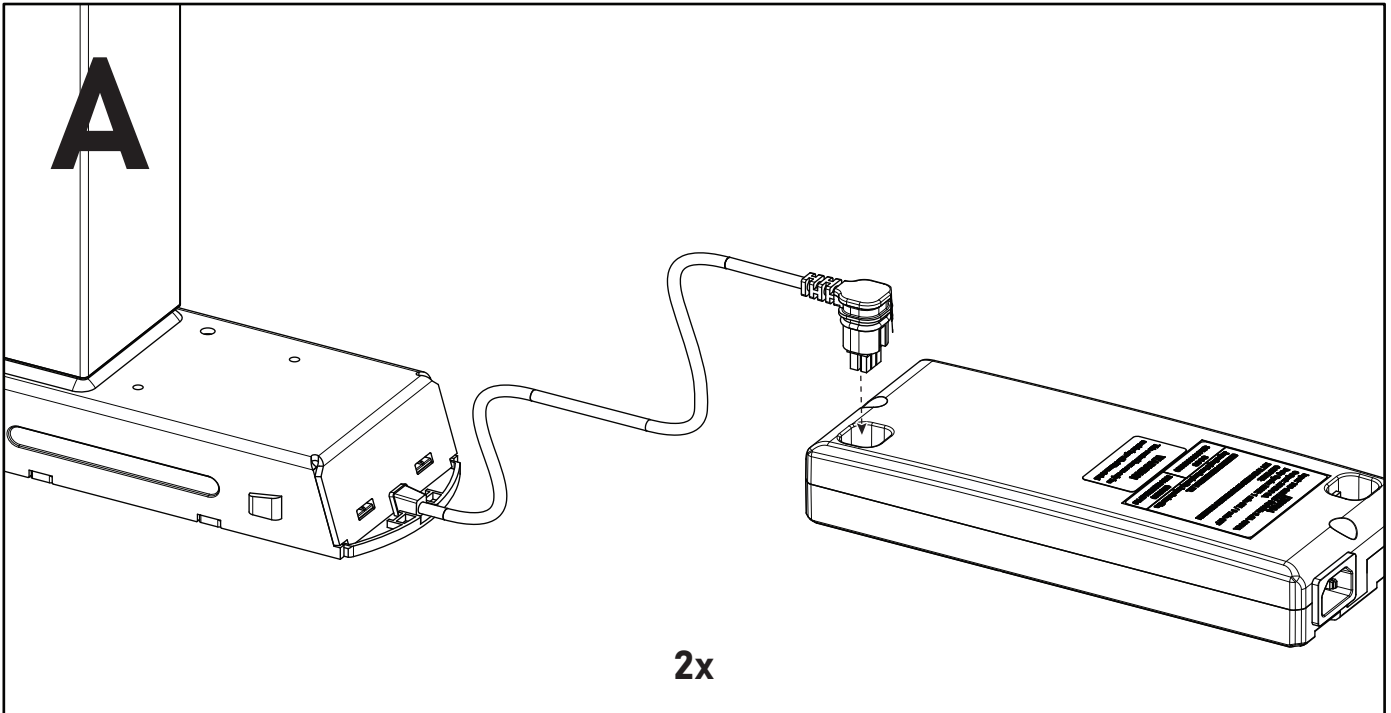
8



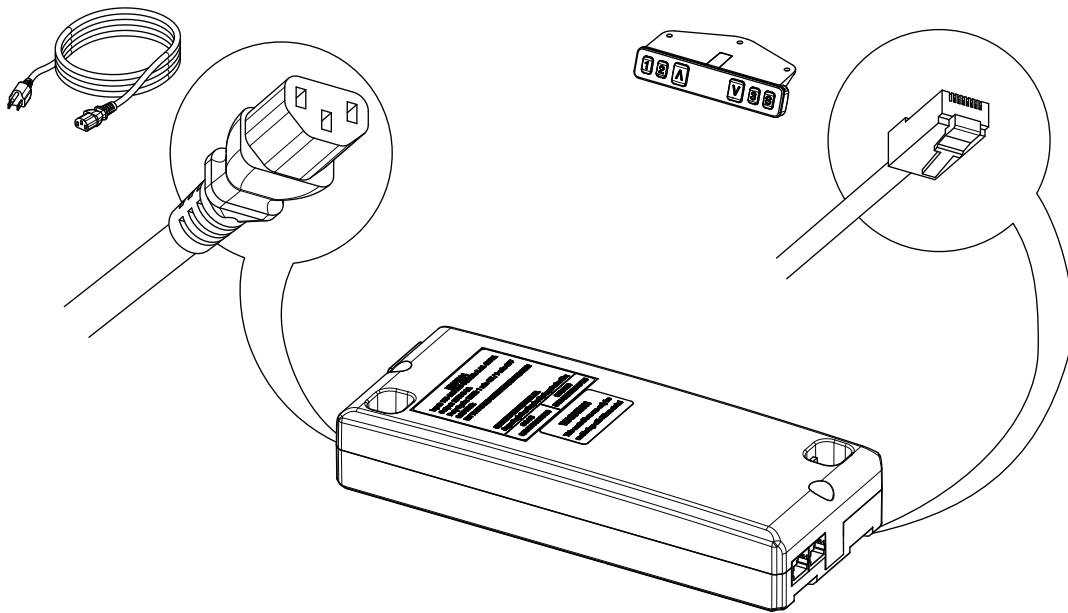
A



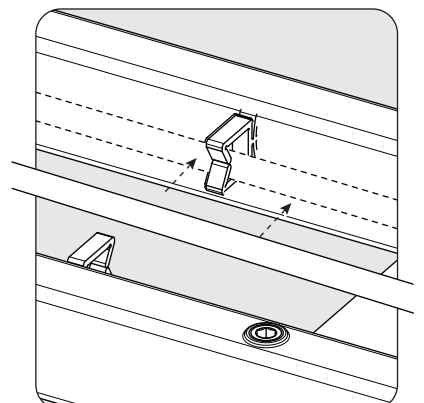
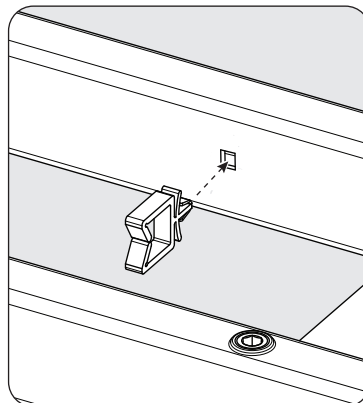
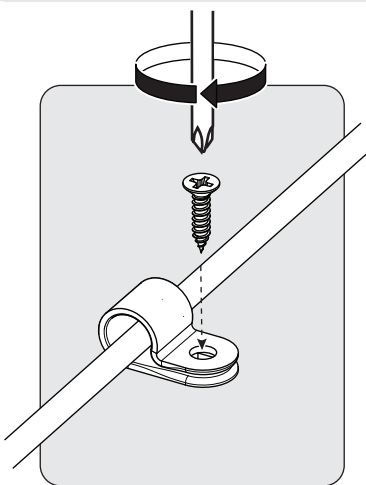
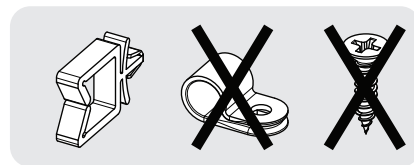
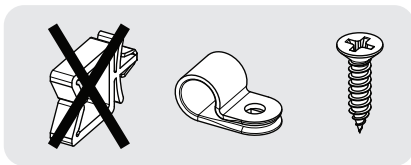
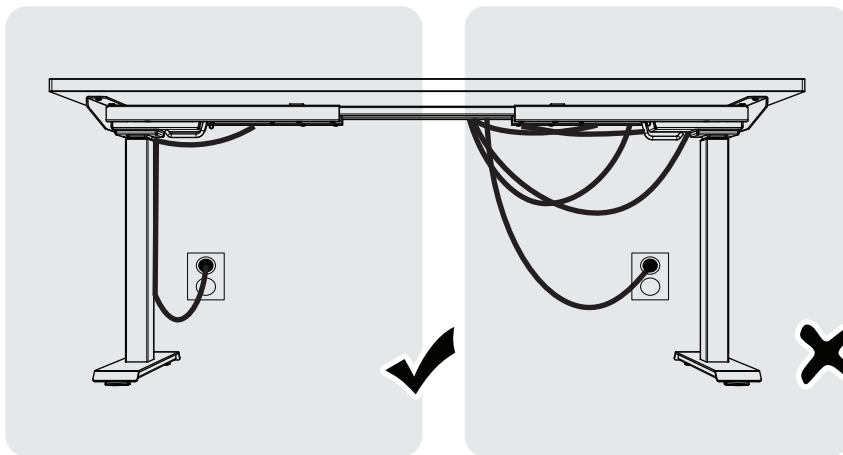
B



9



10



4x



DO NOT USE BASE UNTIL INITIALIZATION STEPS HAVE BEEN TAKEN

Note: Check to make sure that the power cable and the table are free and clear of any obstacles. Table and cords must be able to ascend and descend without any binding, tightness, pulling, or collision interference.

Check all cords to assure they are fully seated and secured with the built-in connector clip and control box is level and securely fastened to the underside of the work surface.

1

Simultaneously, press and hold the UP and DOWN buttons.

The legs will begin to descend at half-speed of normal operation.

Do not release buttons.

2

Continue holding both buttons. The legs will descend to the lowest position and then 'rebound' slightly.

This rebound indicates that the base is initialized.

3

Release the UP and DOWN buttons.

Initialization is complete.

Table can now be utilized in normal fashion.

ANTI-COLLISION

This table is equipped with a gyroscopic anti-collision system that is designed to detect unexpected changes in velocity and quickly reverse the motion of the table. This anti-collision system is only intended to help reduce the risk of the table causing accidental injury or damage and will not completely prevent incidents of collision.

Extreme care should always be used when operating this table to ensure no obstructions interfere with its motion.

ERROR CODES & TROUBLESHOOTING

Use a smartphone camera to scan the QR code to a directory of helpful videos and other troubleshooting steps.

Or visit our website at kaidiofficeusa.com/support

