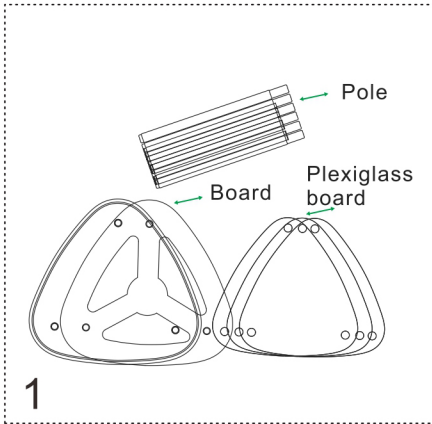
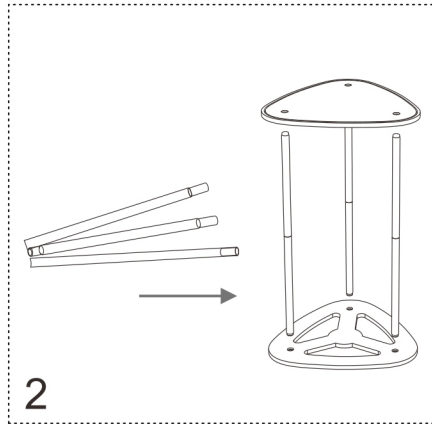


Square Tension Fabric Display Shelf



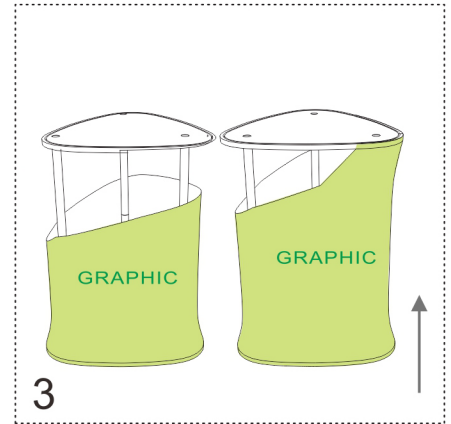
1

Unpack all the accessories from the carry bag



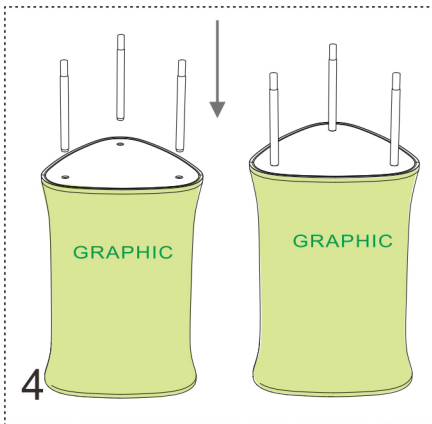
2

Assemble 3 support poles
Insert poles into holes in bottom board
Place top board on poles and press down firmly



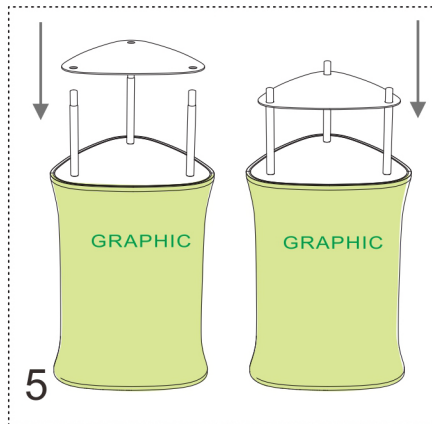
3

Wrap up the hardware with the graphic
Attach the silicone strip to the channel on the bottom board. Continue all the way around. Repeat for top side.



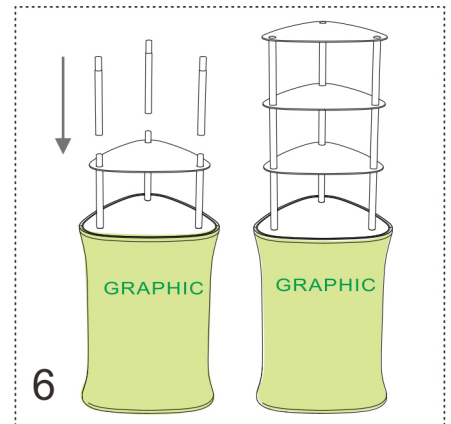
4

Attach one row of poles



5

Place one plexiglass board on poles



6

Attach another row of poles
Put the second plexiglass board on poles
Put the last plexiglass board on the top
Enjoy!



ES-T-C-02A



ES-T-C-02B



ES-T-C-02C