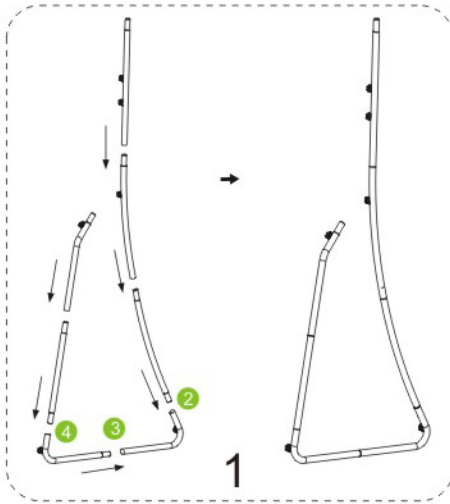
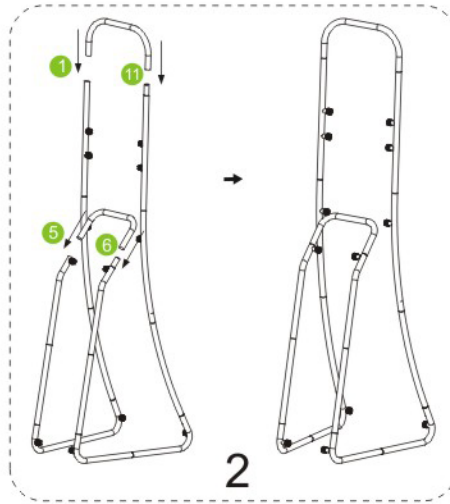


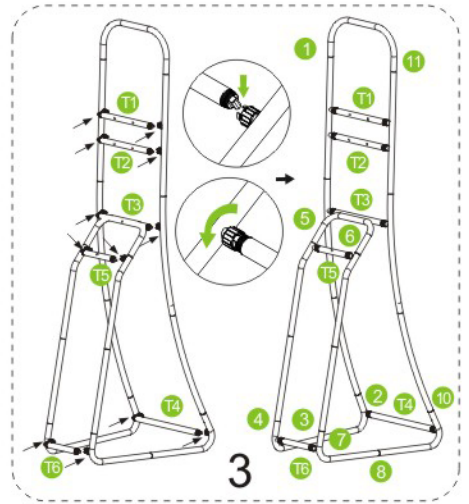
# TV Tablet Literature Tension Fabric Display Stand




1 To connect the aluminium pole by the numbers.

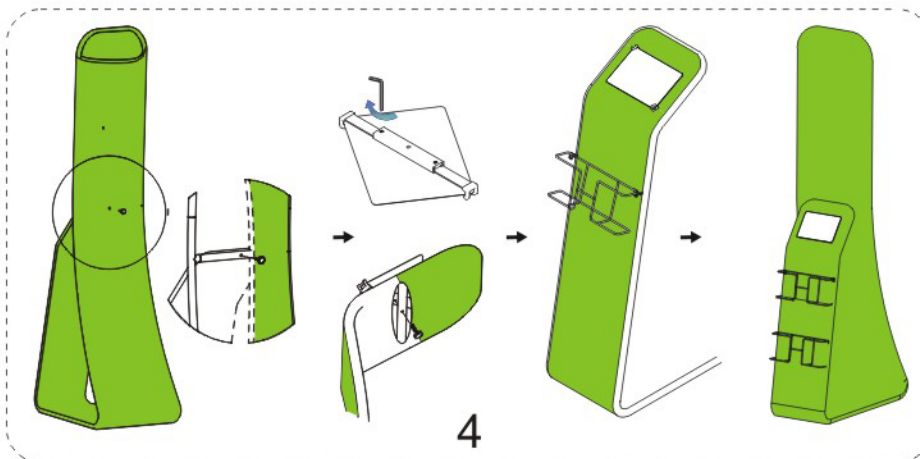


2 To assemble the curved top aluminium pole.



3 To assemble the short aluminium pole to connect 2 sides of frame.

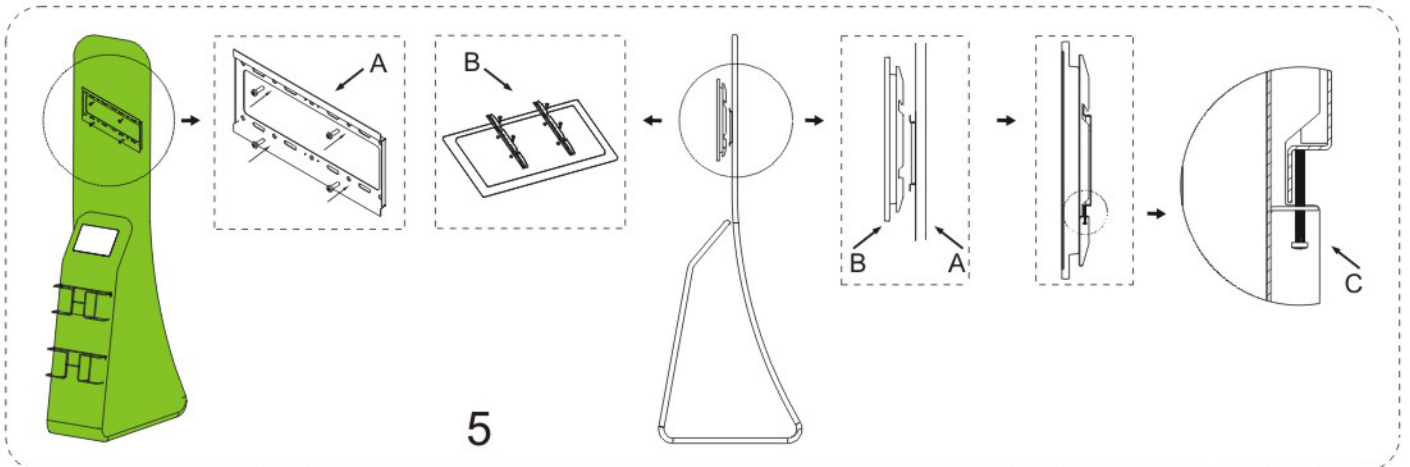
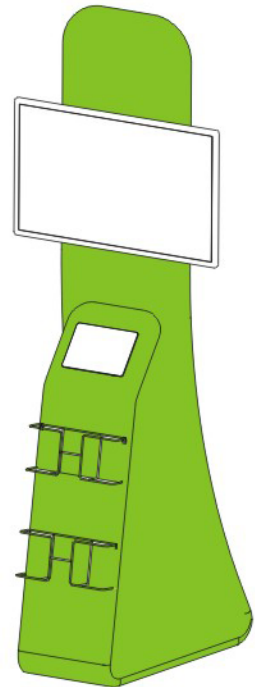
 The plastic screwing connector at all corners section **DON'T** screw completely but around 90% fastening



A. To wrap the printed banner from the iPad holder side to the top of whole display stand and to press the back stand to the front part then use big screw to fasten.

B. To assemble the brochure holders in position.

C. To assemble the anti-theft iPad holder in position then zip up the zipper underneath.



5 To use screws to fix part A of TV holder to the stand, then use screws to fix part B of TV holder onto part A, afterwards fasten the part C.