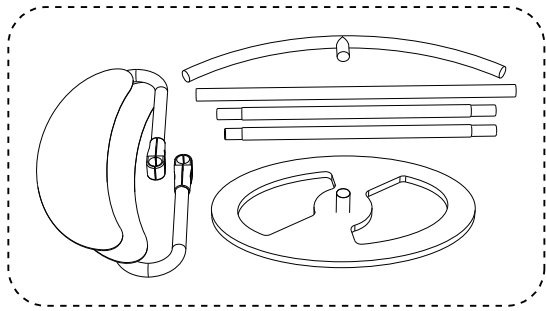
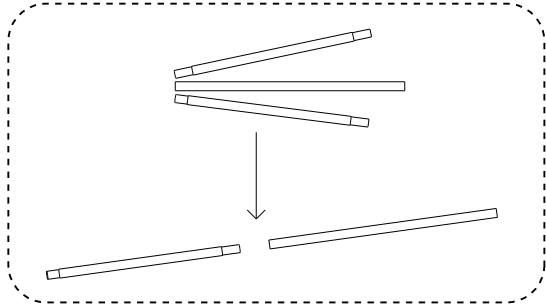


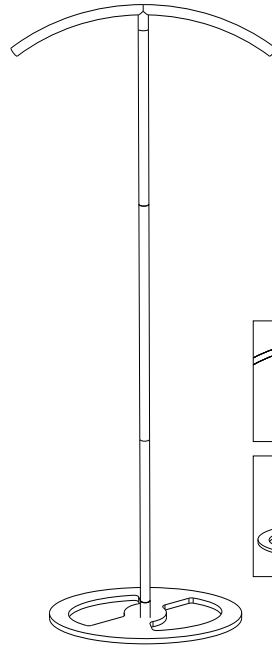
Straight Top - Tension Fabric Banner Stand



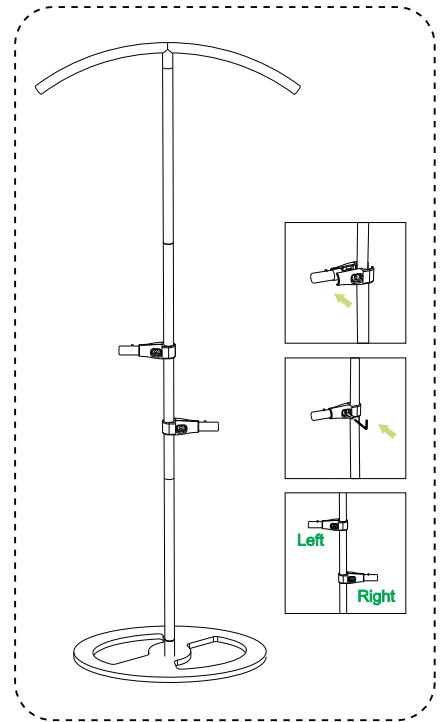
1 Take all the accessories out of the carry bag.



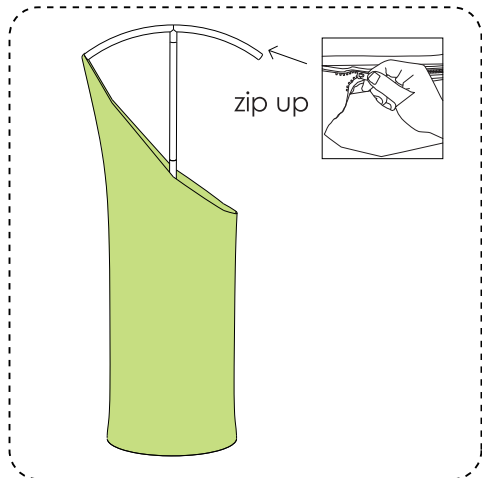
2 Assemble the hardware, connect all the aluminum tubes together, they are all are corded.



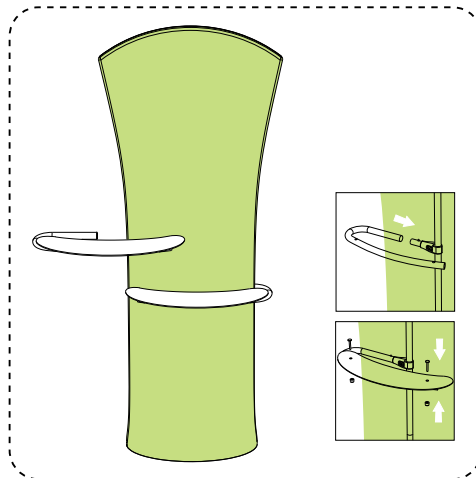
3 Fit the bottom pole to the base by sliding it on.



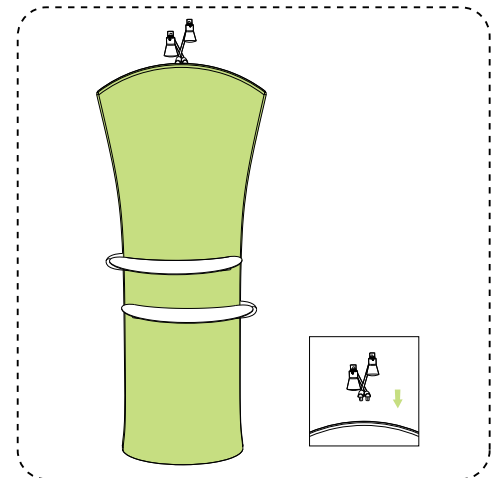
4 Assemble the handle clip corded as shown, and use hexagonal key to fix it.



5 Put the graphic from the bottom to the top, zip up on the top.



6 Put the shelving through the open slit in the graphic and use hexagonal key to fix it on the aluminum tube.



7 Fit both lights on the top and run the electric cords inside the graphic.

