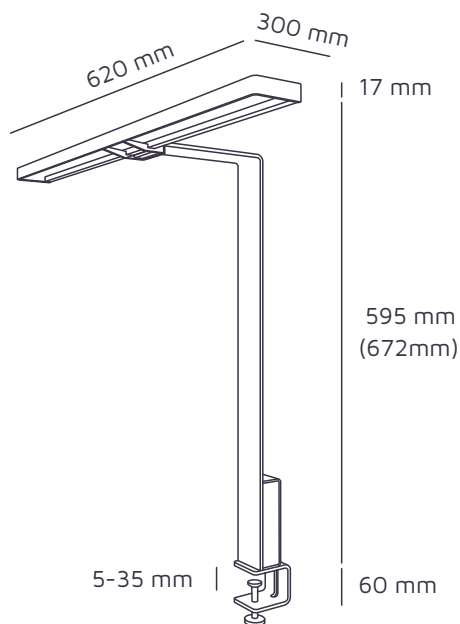
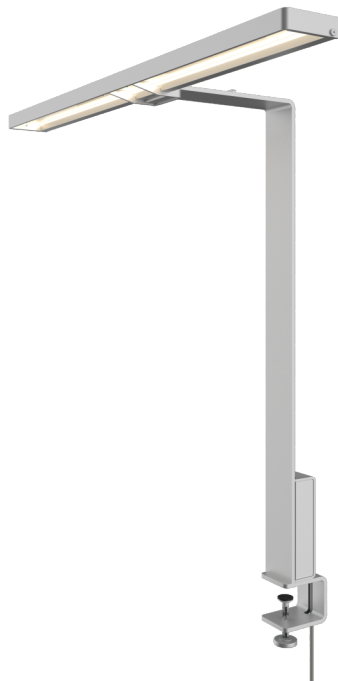


Aicci DL1-620C



TECHNICAL SPECIFICATIONS

Basic information

Model: Aicci DL1-620C

Application: Desk lamp

Manufacturer: Aicci Oy, Muurame, Finland

Colour: white RAL 9016. Available in RAL and special colours.

Materials: powder-coated steel and aluminum, acrylic optics

Weight: 3.5kg

Classifications and certificates

Enclosing class: IP20

Protection class: II

Energy class: A++

Declaration of conformity

CE marking

Design from Finland and Finnish Key Flag certified

Electrical specifications

Input voltage: 220-240 VAC

Frequency: 50/60 HZ

Maximum power: 31.2 W

Output voltage: 24 VDC

Output current: 1.3 A

Plug-in cable: Europlug CEE //16, length 2.5 m

Lighting data

Control: Casambi Ready

Distribution with reflection plate: 100% direct / 0% indirect

Distribution without reflection plate: 50% direct / 50% indirect

Colour temperature: 2000K-6500 K

Intensity: 1362 lm

Power consumption (maximum): 11.4 W

Consumption/1000h: 12.5 kWh

Colour rendering index (CRI): >90

Lifetime L80B50C1: >60 000 h

Efficiency: 2000 K, 91l m/W / 6500 K, 145 lm/W