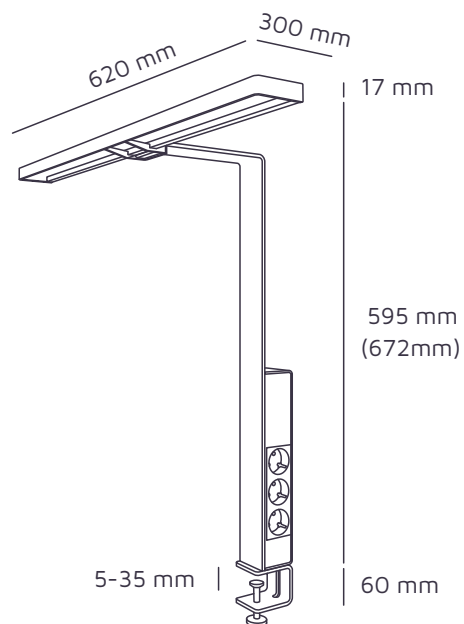
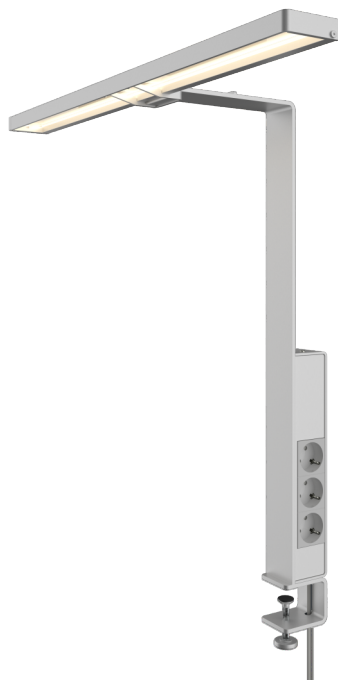


# Aicci DL1-620CS



## TECHNICAL SPECIFICATIONS

### Basic information

Model: Aicci DL1-620CS  
Application: Desk lamp  
Manufacturer: Aicci Oy, Muurame, Finland  
Colour: white RAL 9016. Available in RAL and special colours.  
Materials: powder-coated steel and aluminum, acrylic optics  
Weight: 4.3kg

### Classifications and certificates

Enclosing class: IP20  
Protection class: II  
Energy class: A++  
Declaration of conformity  
CE marking  
Design from Finland and Finnish Key Flag certified

### Electrical specifications

Input voltage: 220-240 VAC  
Frequency: 50/60 HZ  
Maximum power: 31.2 W  
Output voltage: 24 VDC  
Output current: 1.3 A  
Plug-in cable: Europlug CEE 7/17, length 2.5 m

### Lighting data

Control: Casambi Ready  
Distribution with reflection plate: 100% direct / 0% indirect  
Distribution without reflection plate: 50% direct / 50% indirect  
Colour temperature: 2000-6500 K  
Intensity: 1362 lm  
Power consumption (maximum): 11.4 W  
Consumption/1000h: 12.5 kWh  
Colour rendering index (CRI): >90  
Lifetime L80B50C1: >60 000 h  
Efficiency: 2000K, 91 lm/W / 6500K, 145 lm/W

### Socket unit

Nominal current (maximum): 16 A  
Number of sockets: 3 pc  
Socket type: grounded, CEE 7/3