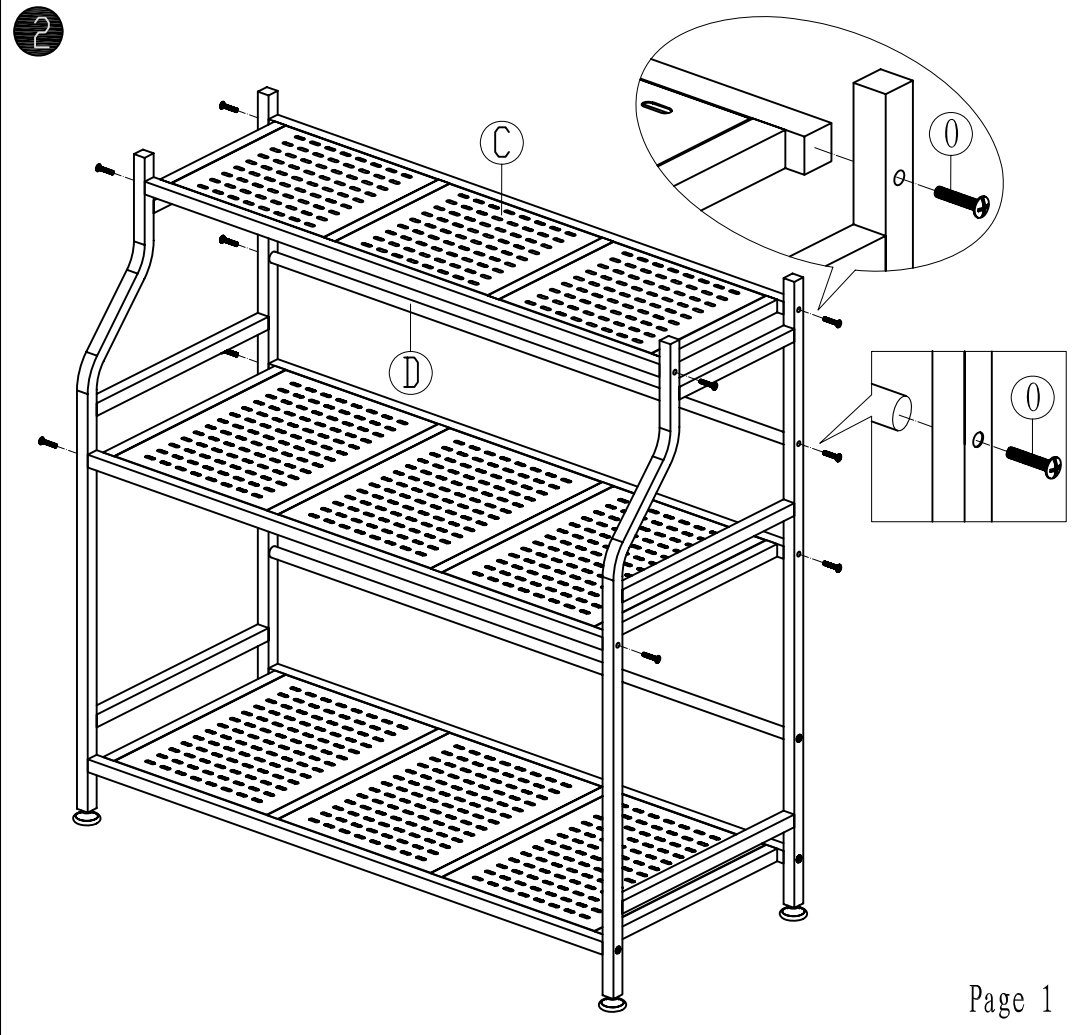
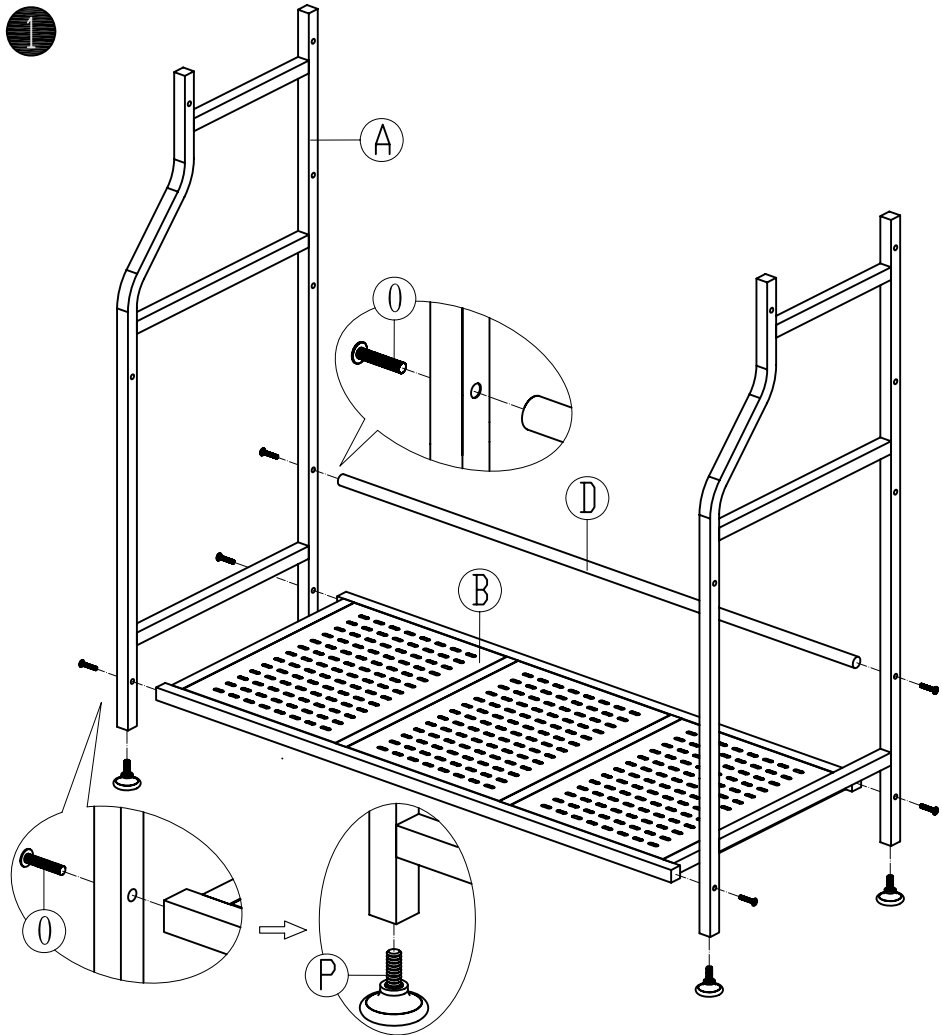
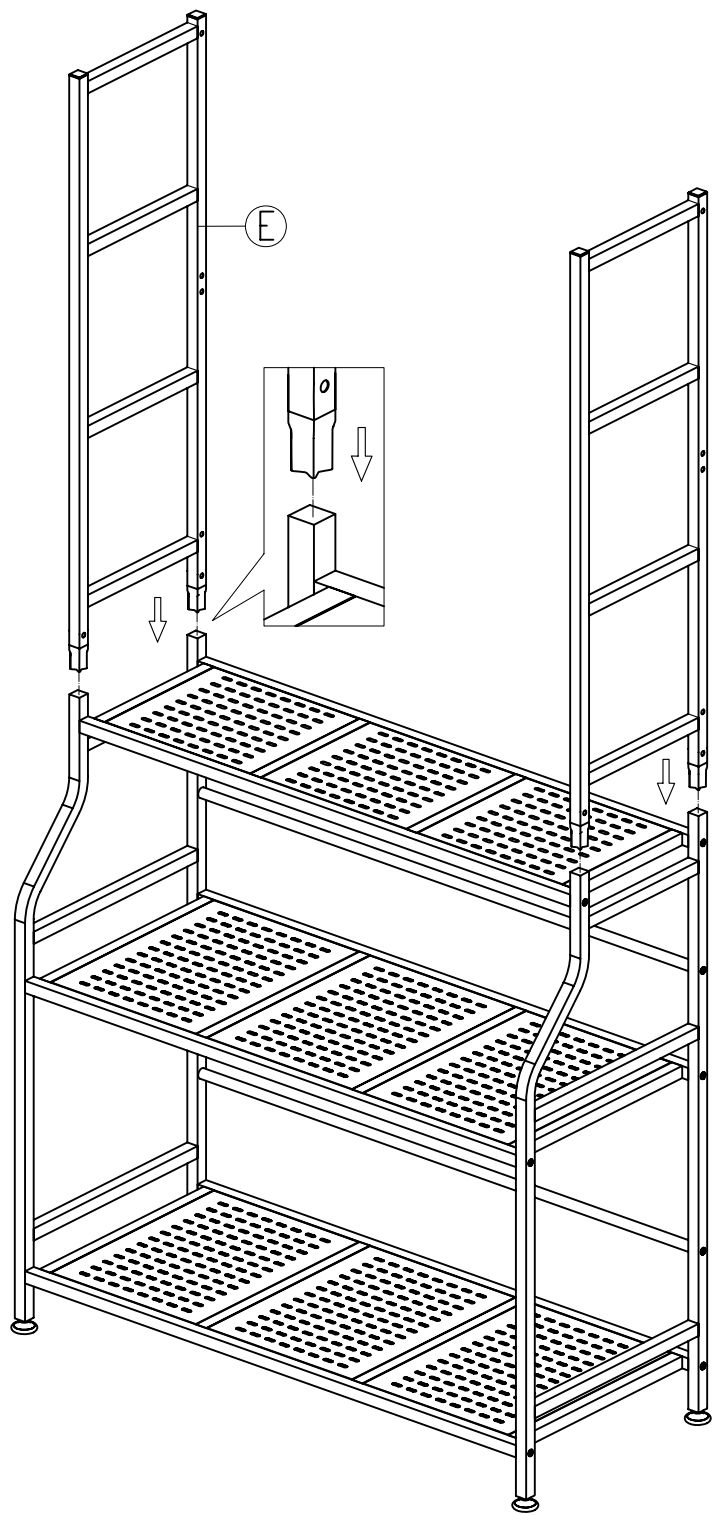


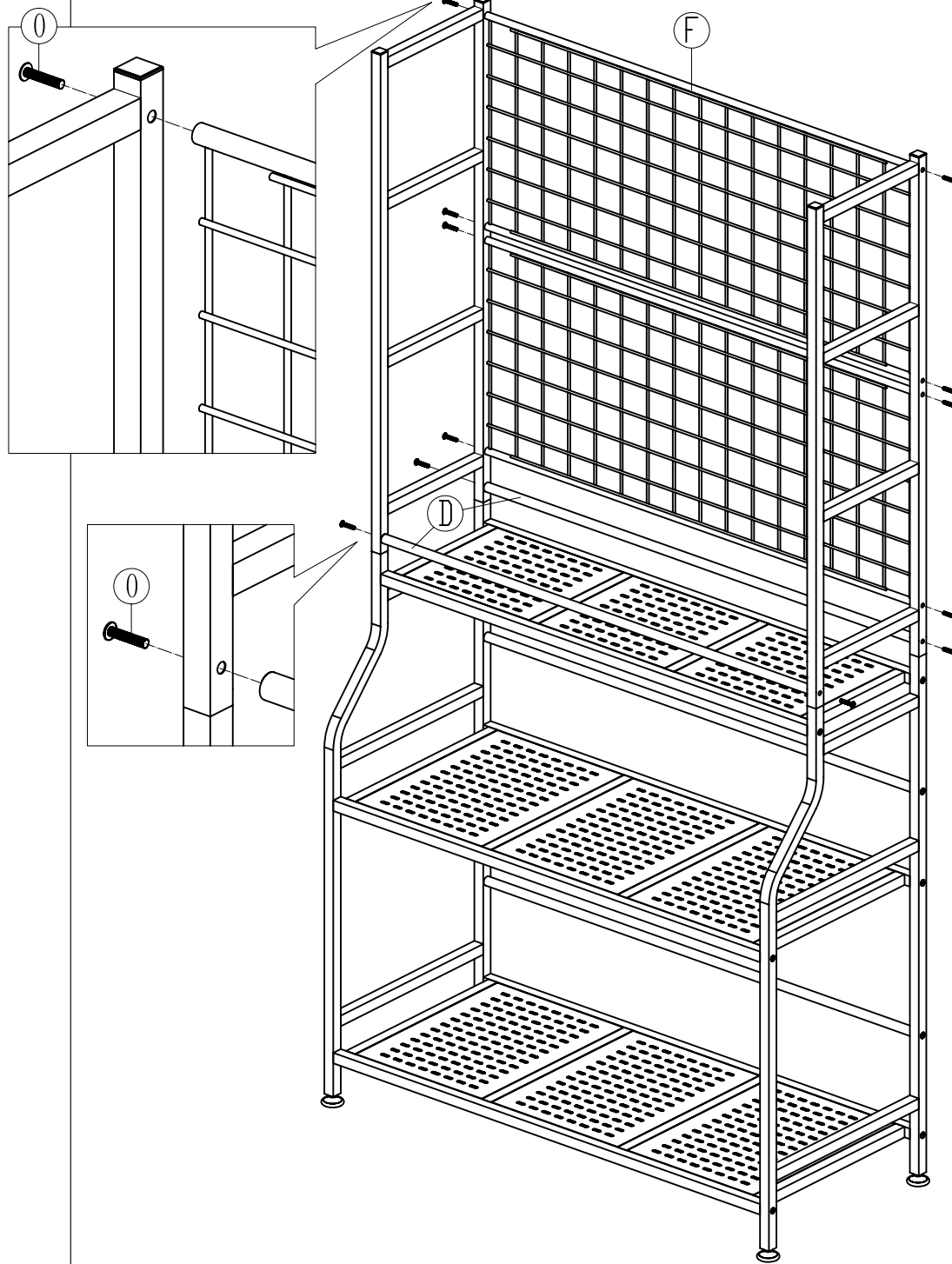
Ax2	Bx2	Cx1	Dx4	Ex2	Fx2	Gx1	Hx1	Ix1	Jx3	Kx1	Lx1
Mx12	Nx4	Ox28	Px4	Qx2	Rx2						



3



4



5

*FIRST

*FIRST

6

