

CAUTION! • CAUTION! • CAUTION! • CAUTION! • CAUTION!

WHOA!!! CAUTION NOT SO FAST

This product is made out of MDF / Supawood and is fragile of nature.

We recommend all pieces to be test fitted and if required contact pieces to be filled / sanded down for a better fit.

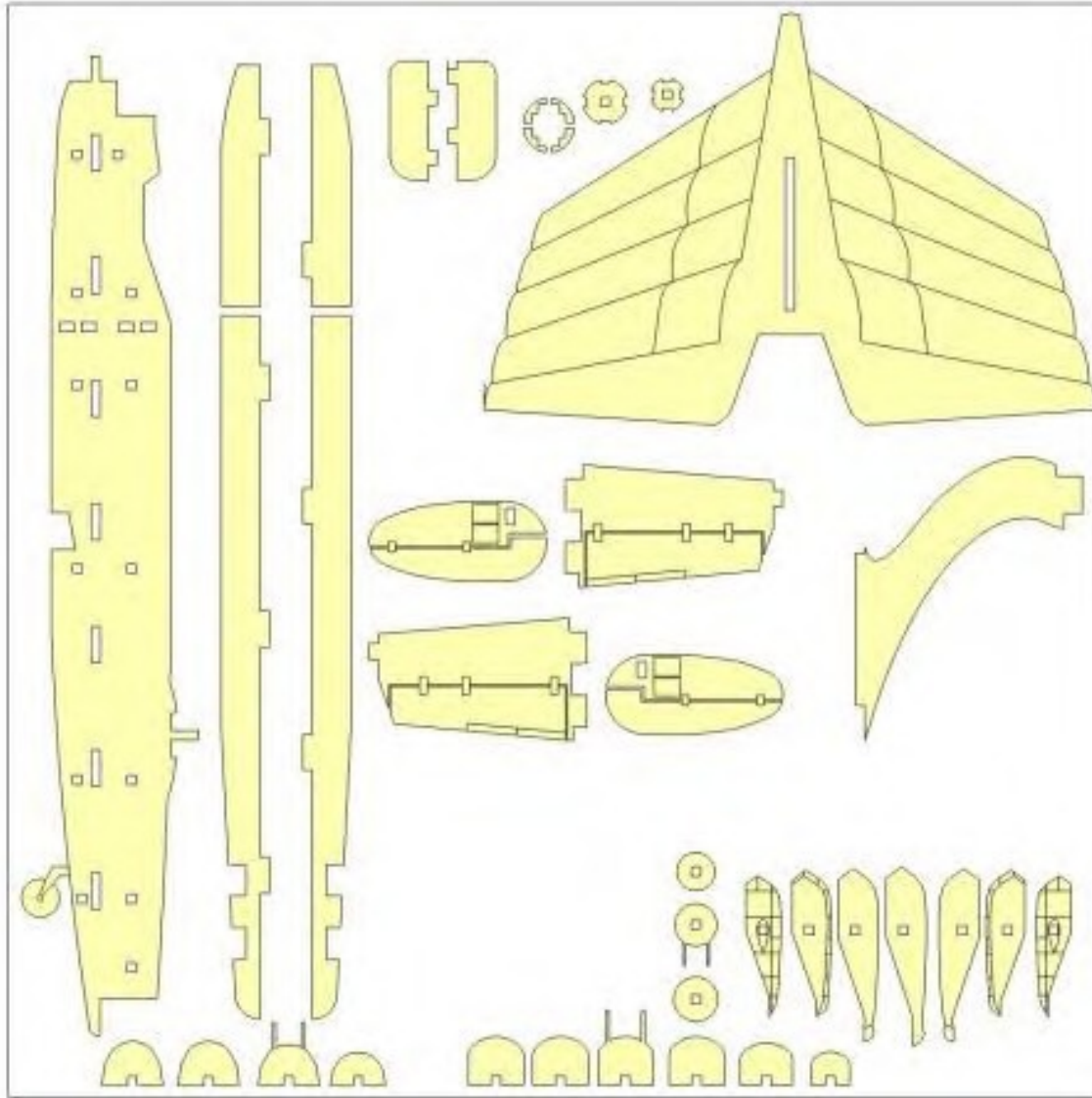
**PLEASE DO NOT FORCE FIT ANY PIECES AS IT
WILL BREAK!**

ENJOY BUILDING YOUR NEW MODEL.

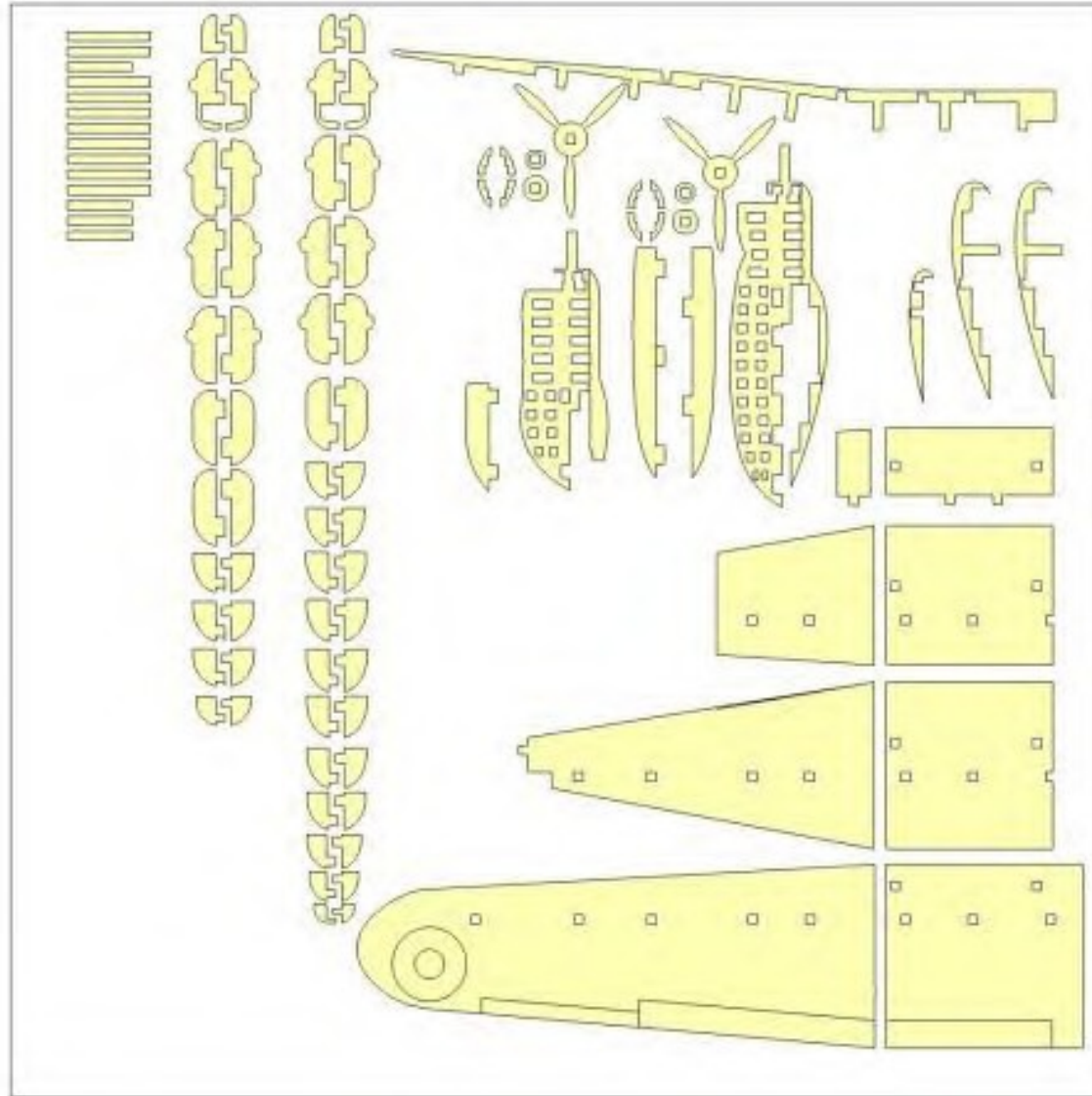


LANCASTER

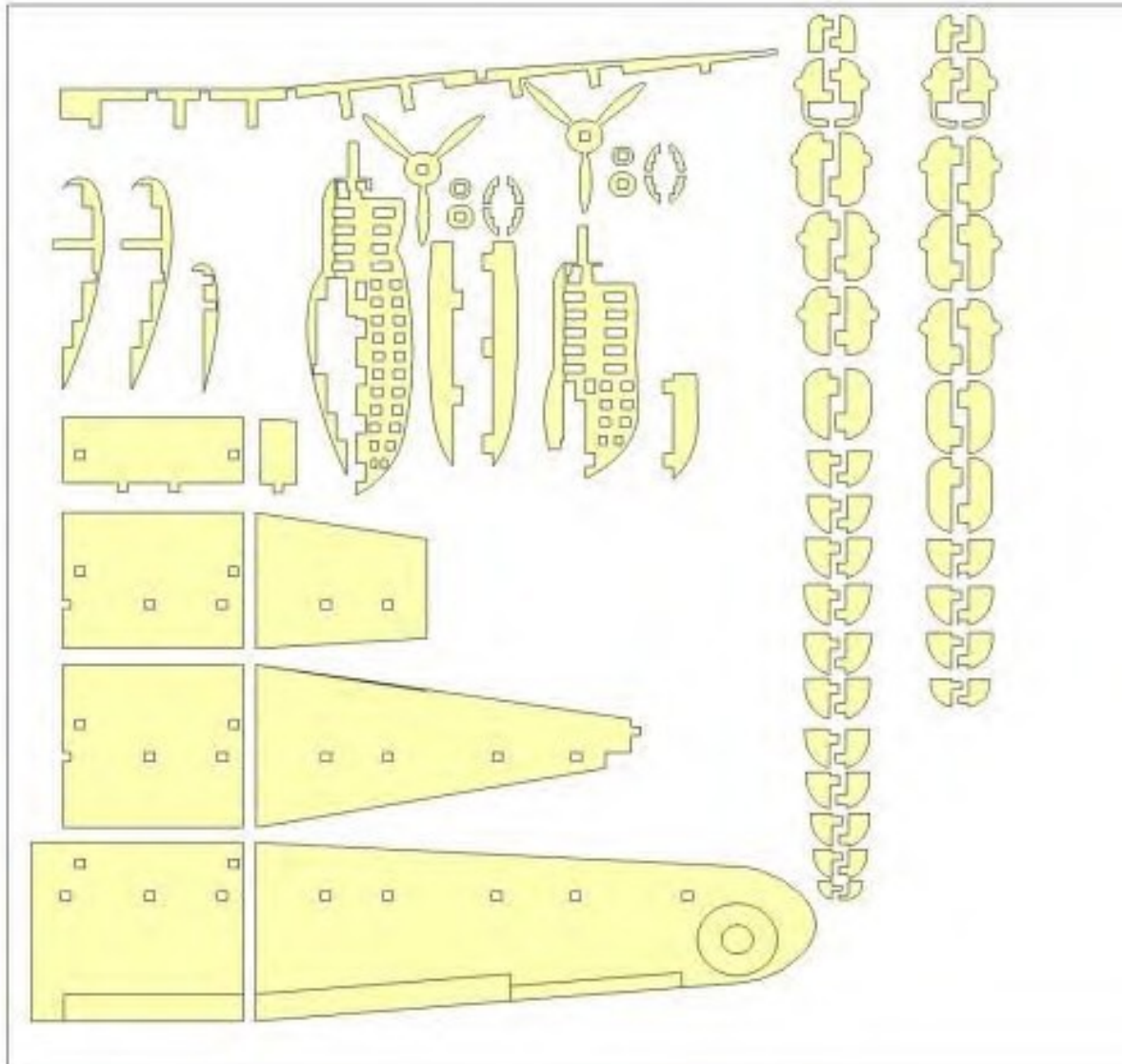
WWW.WOWWE.CO.ZA



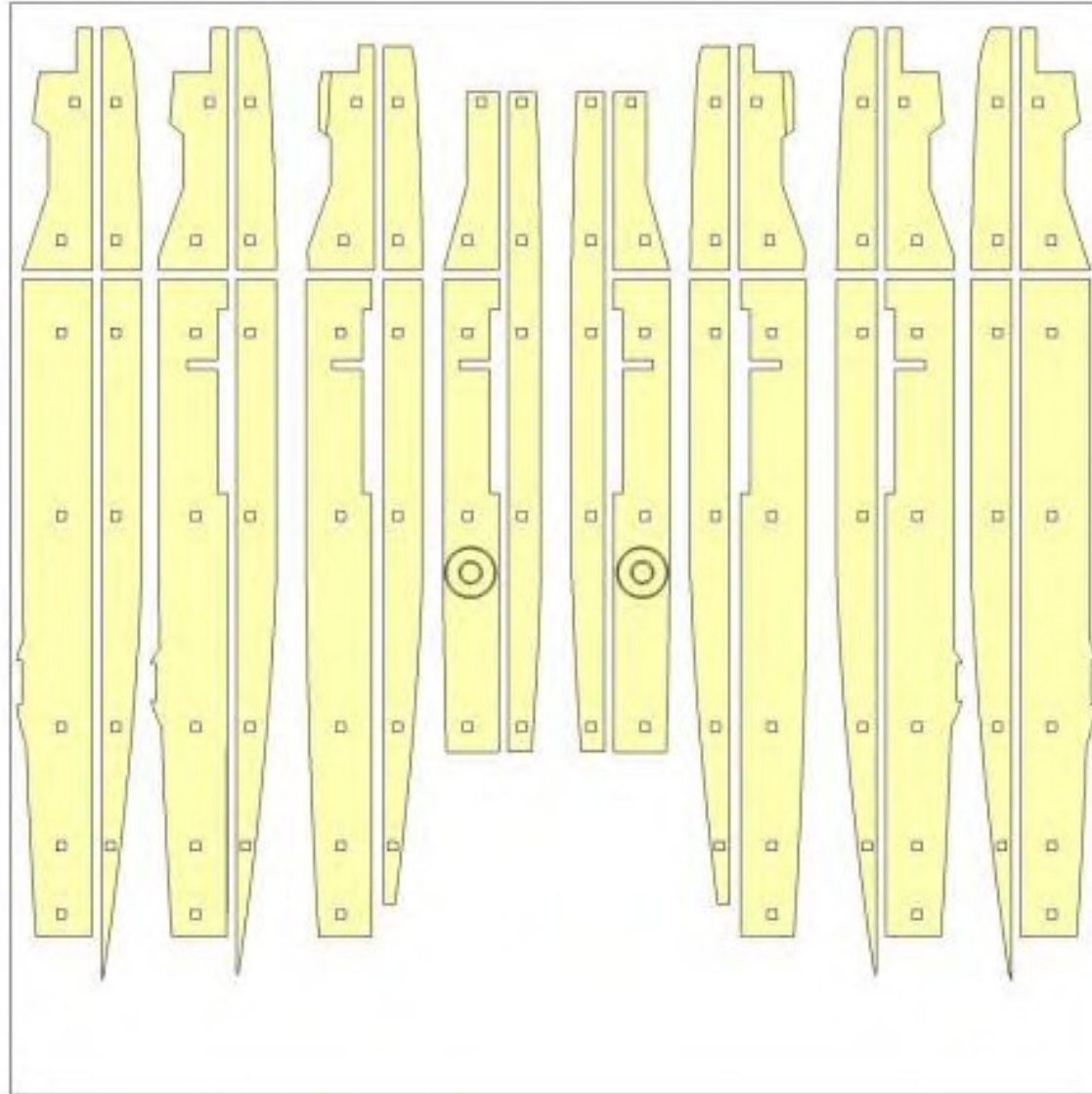
PARTS LIST



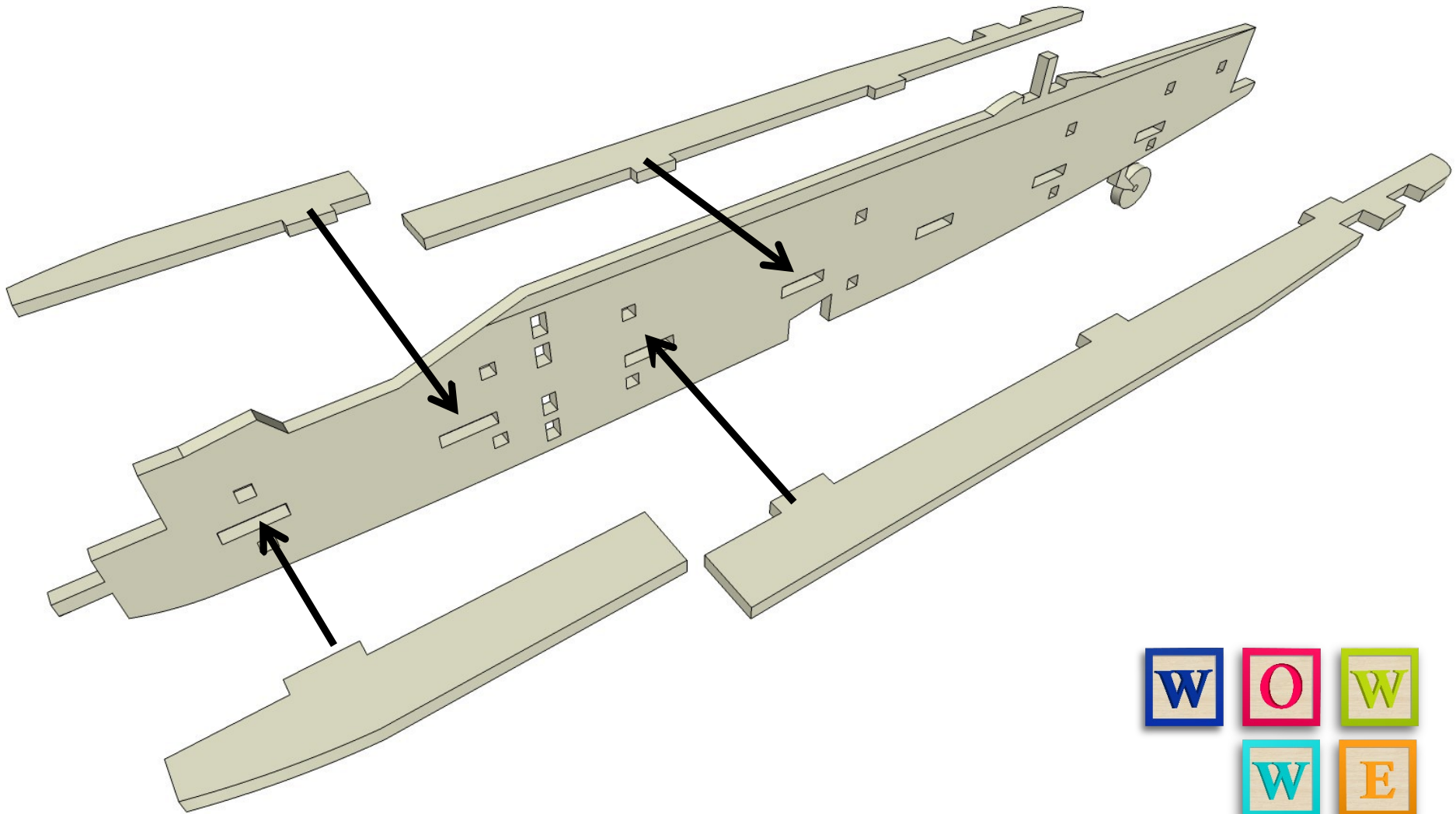
PARTS LIST



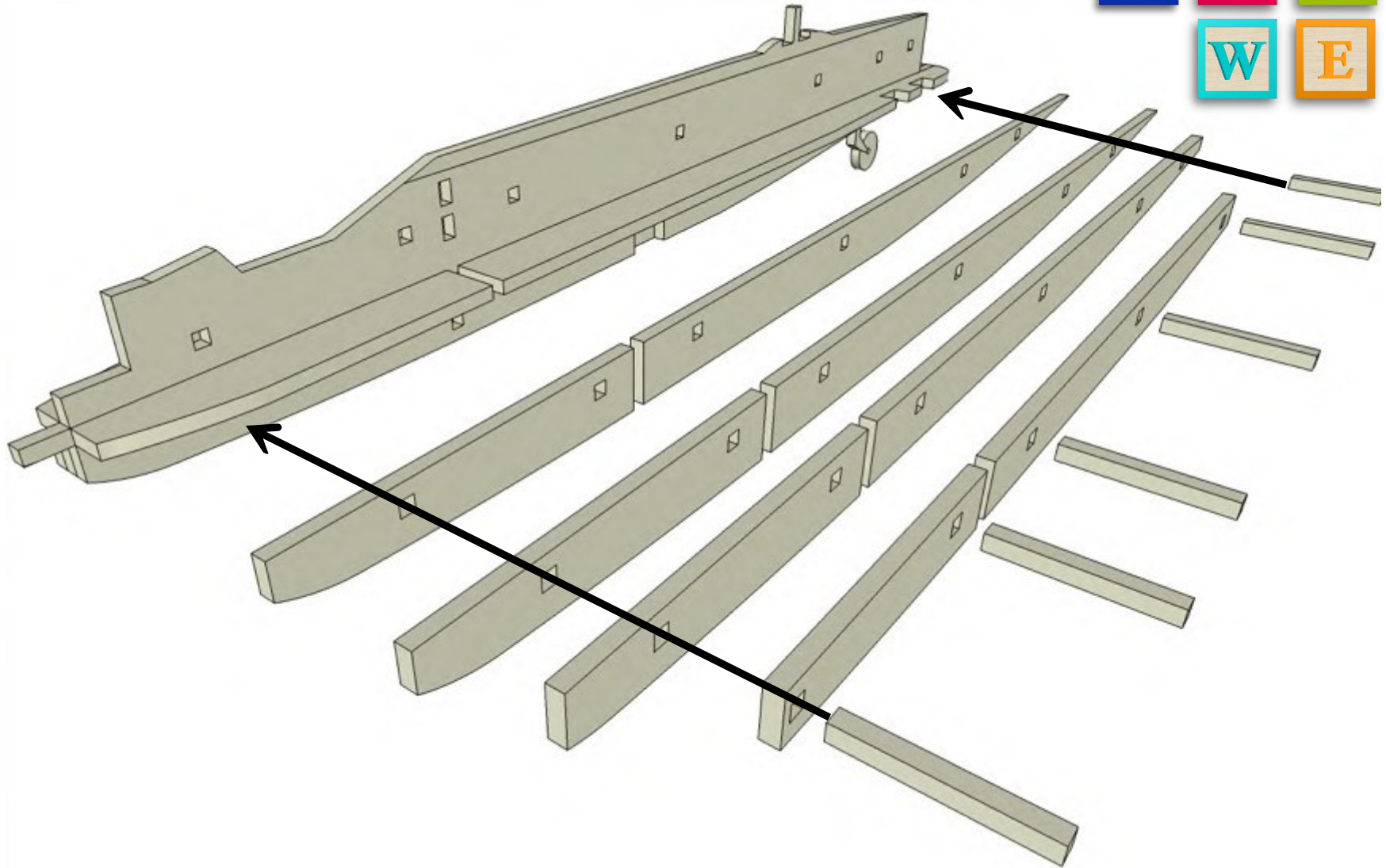
PARTS LIST



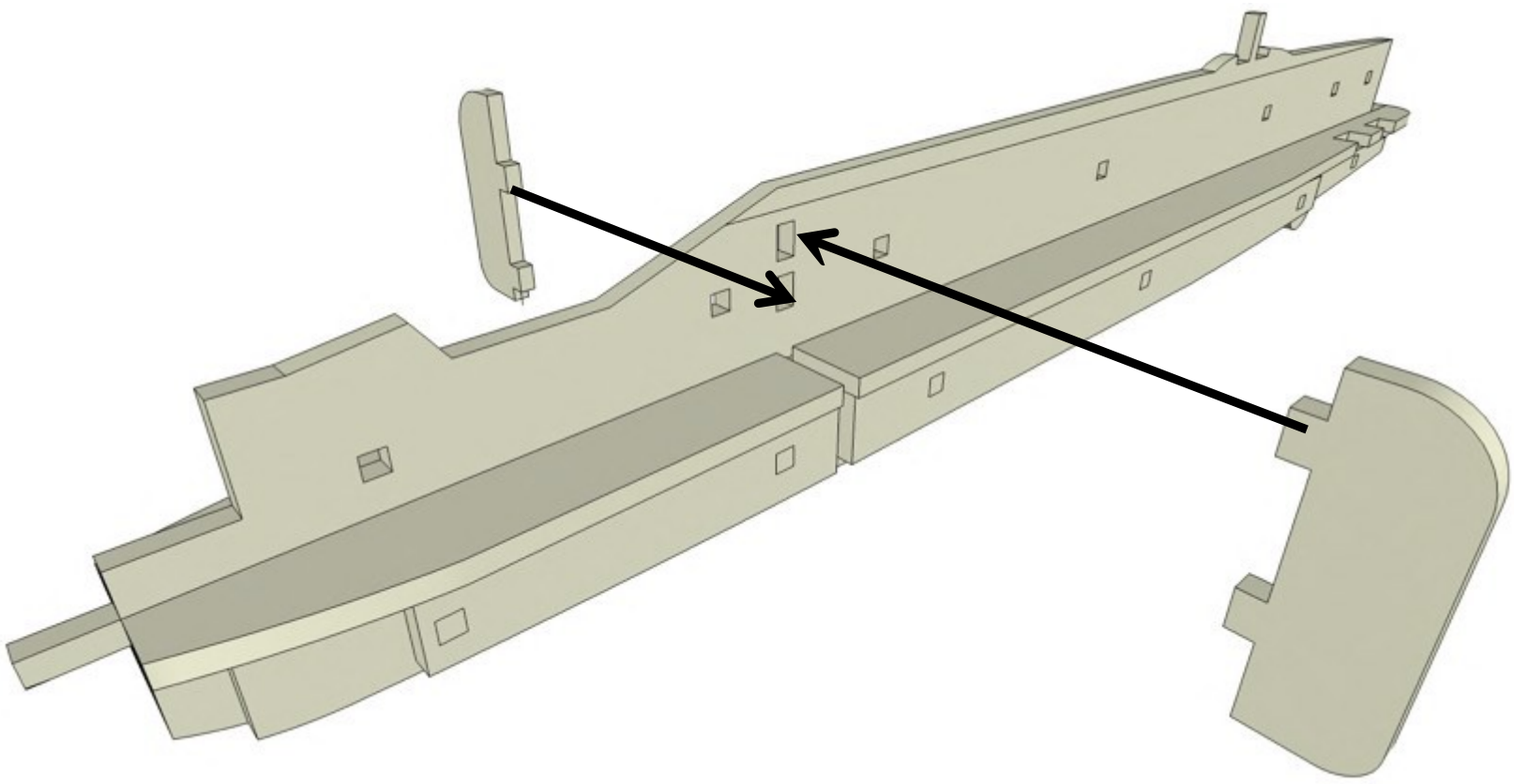
PARTS LIST



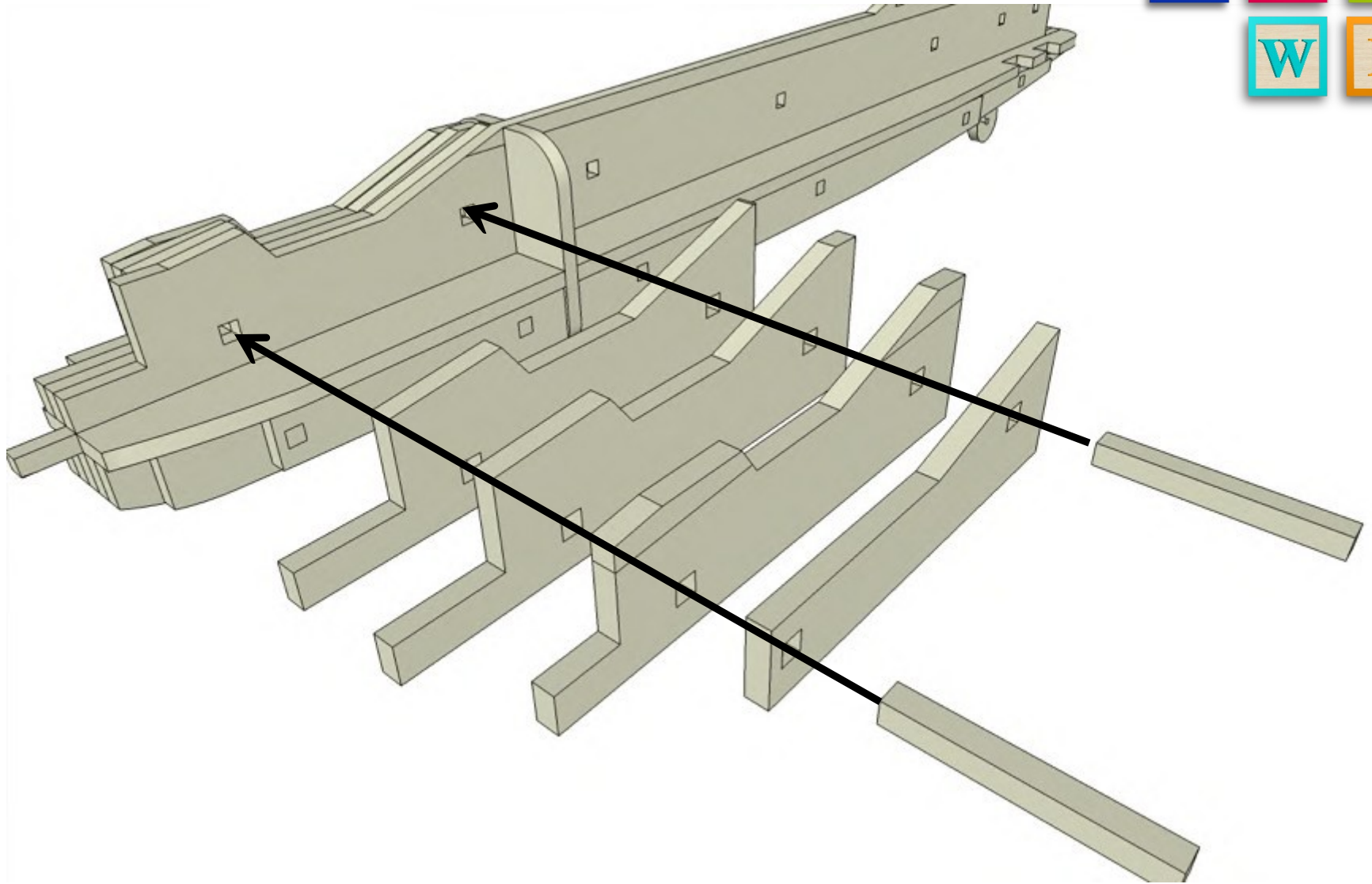
ASSEMBLY STEPS



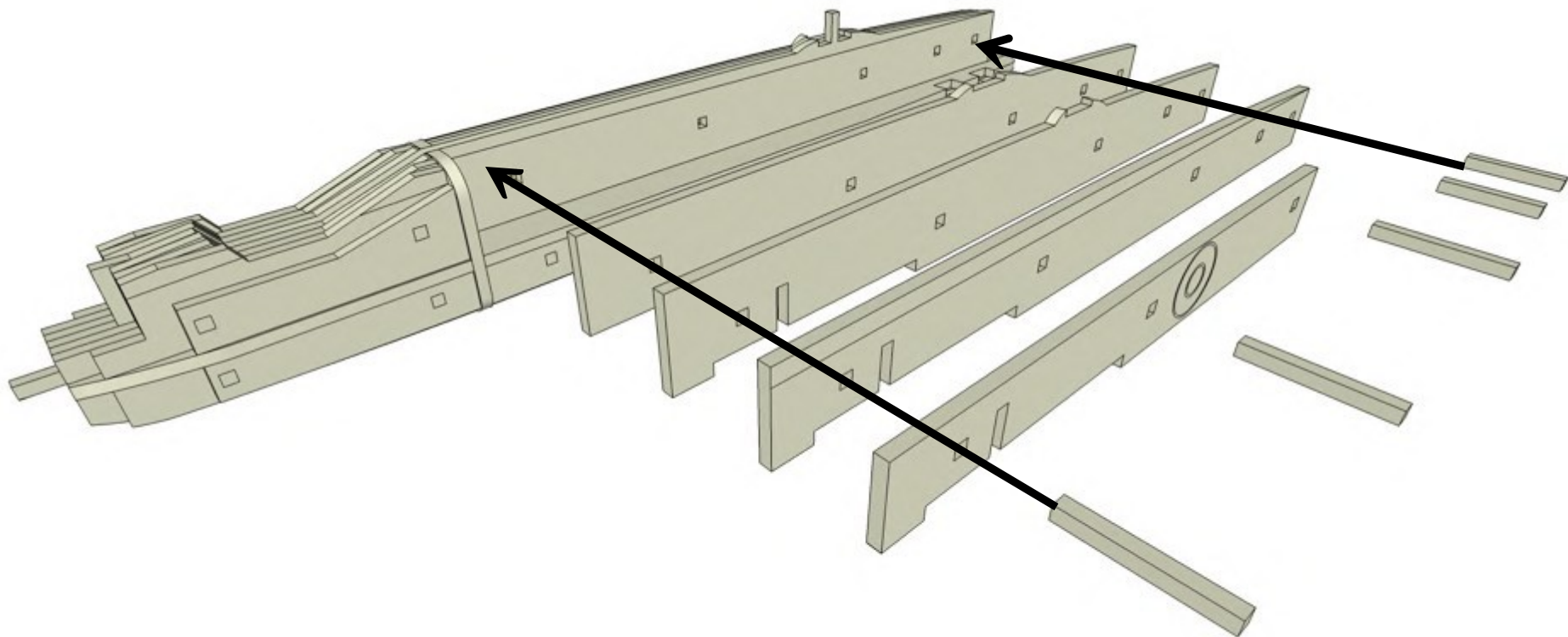
ASSEMBLY STEPS



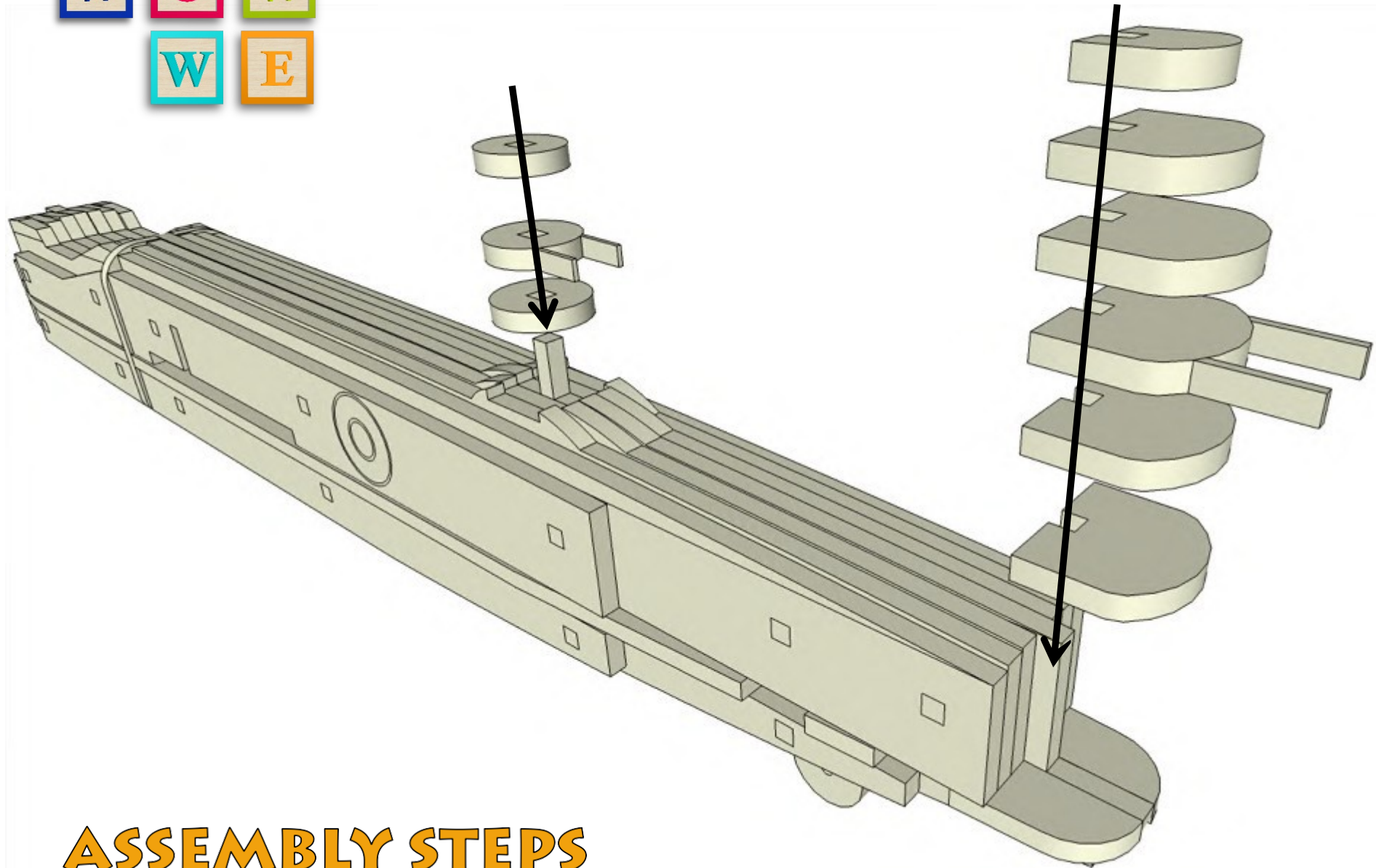
ASSEMBLY STEPS



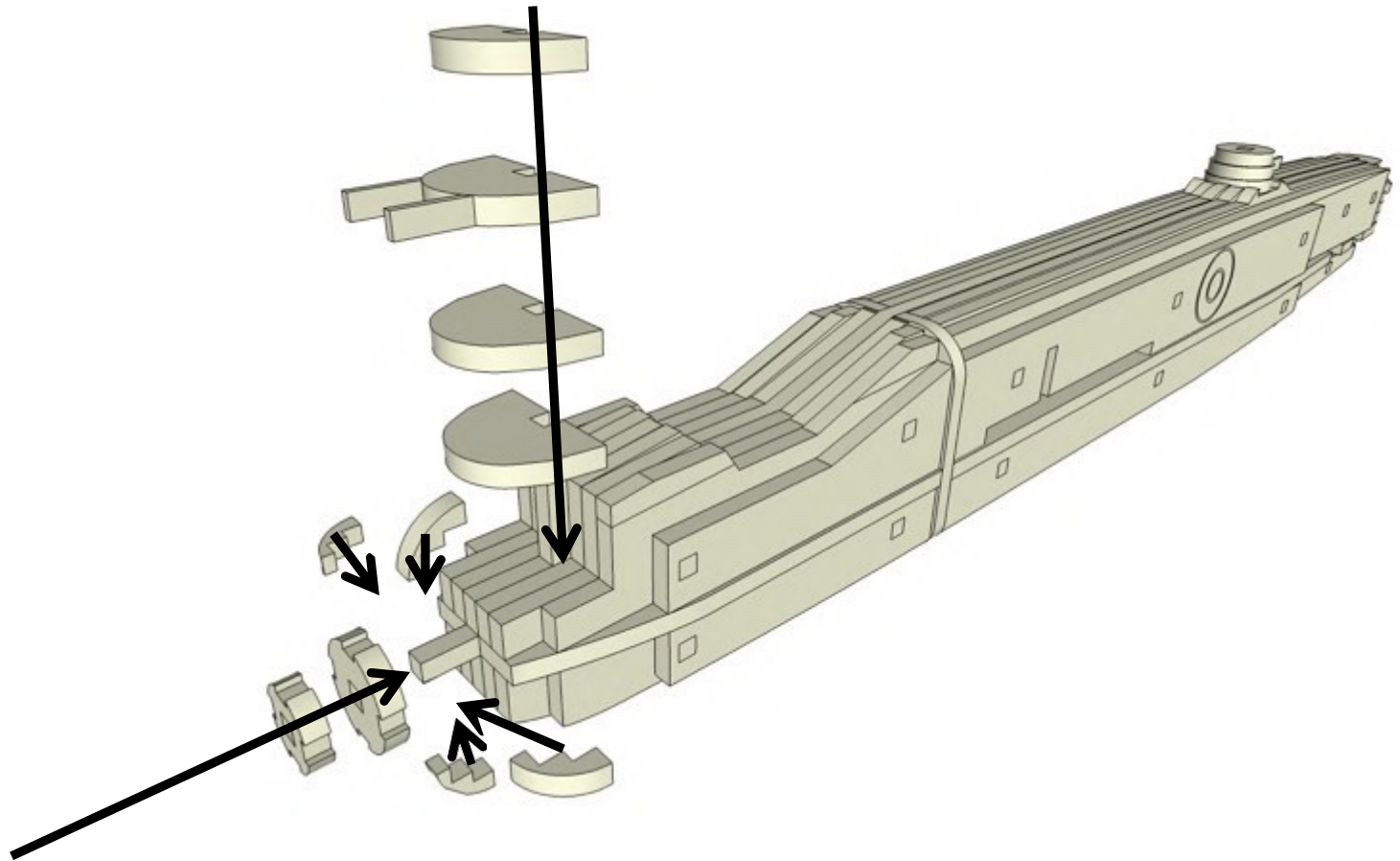
ASSEMBLY STEPS



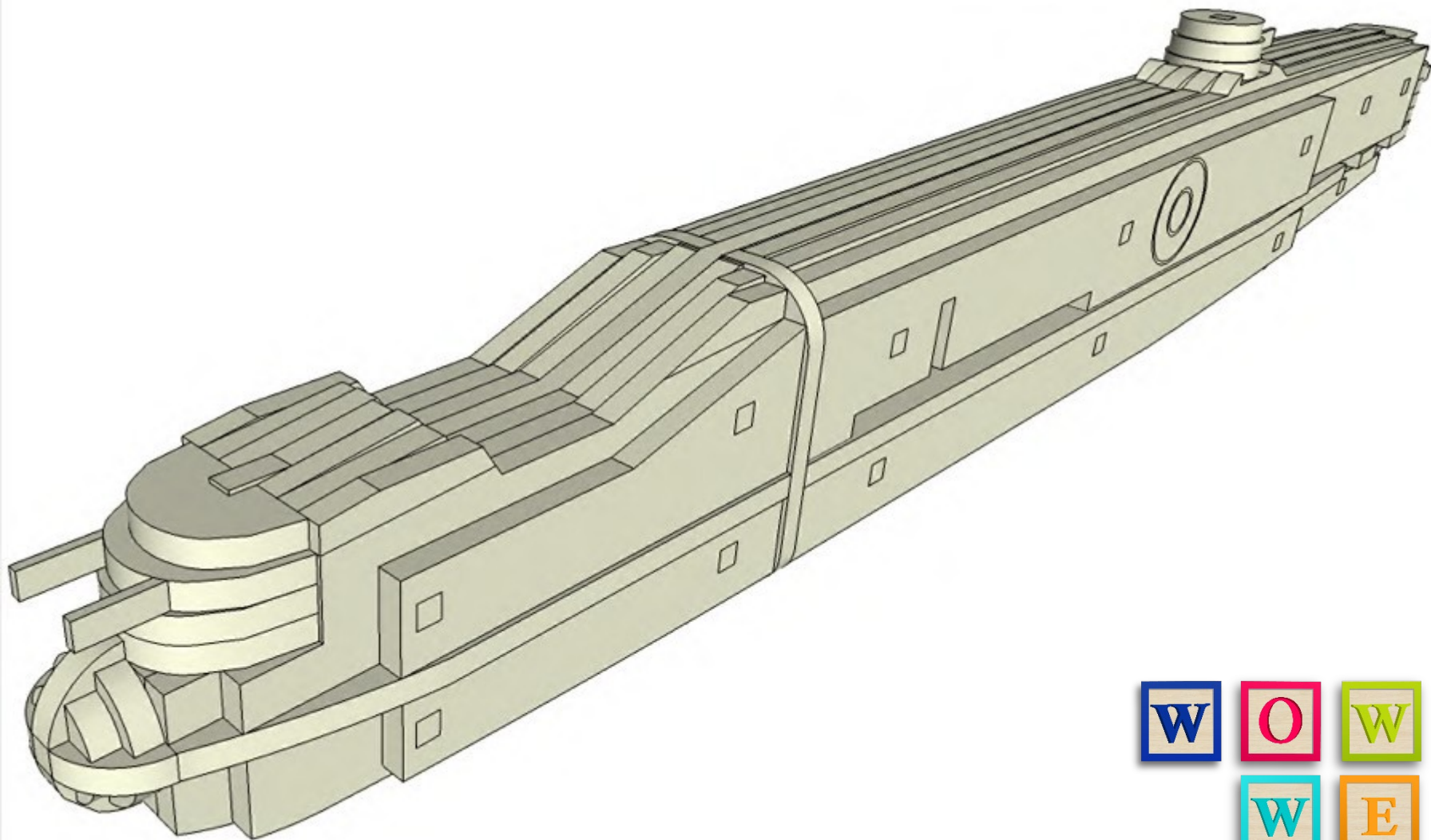
ASSEMBLY STEPS



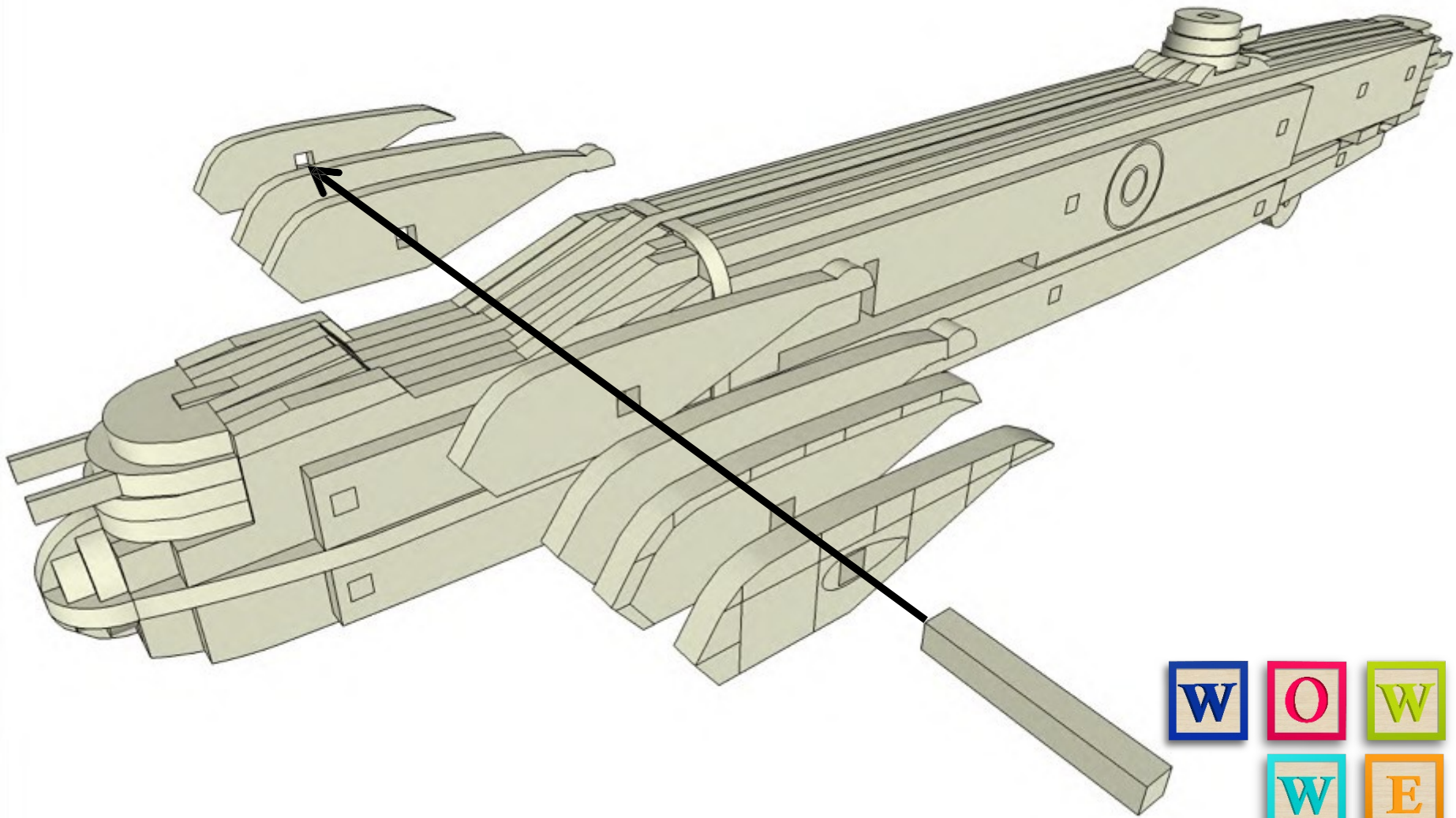
ASSEMBLY STEPS



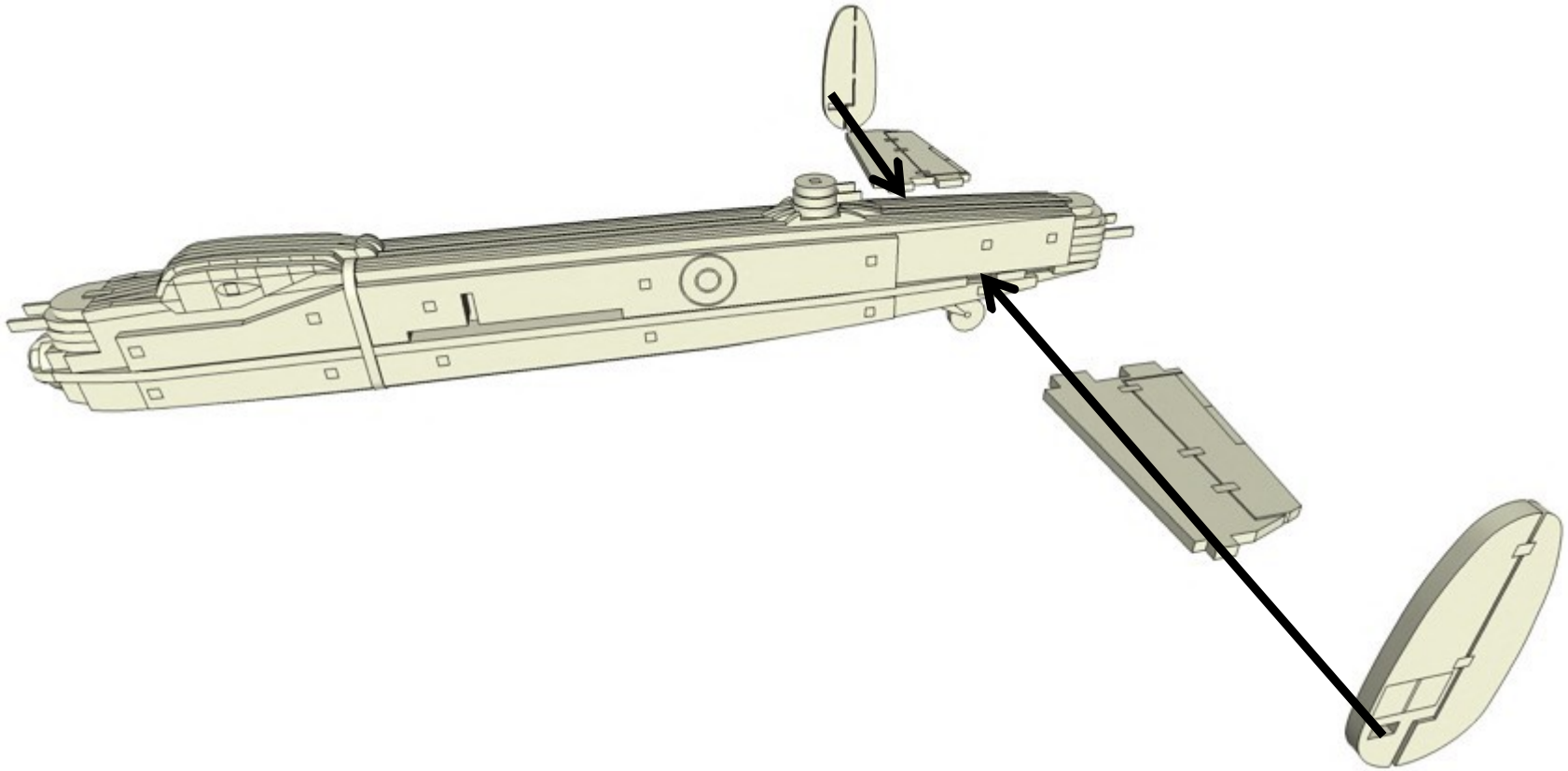
ASSEMBLY STEPS



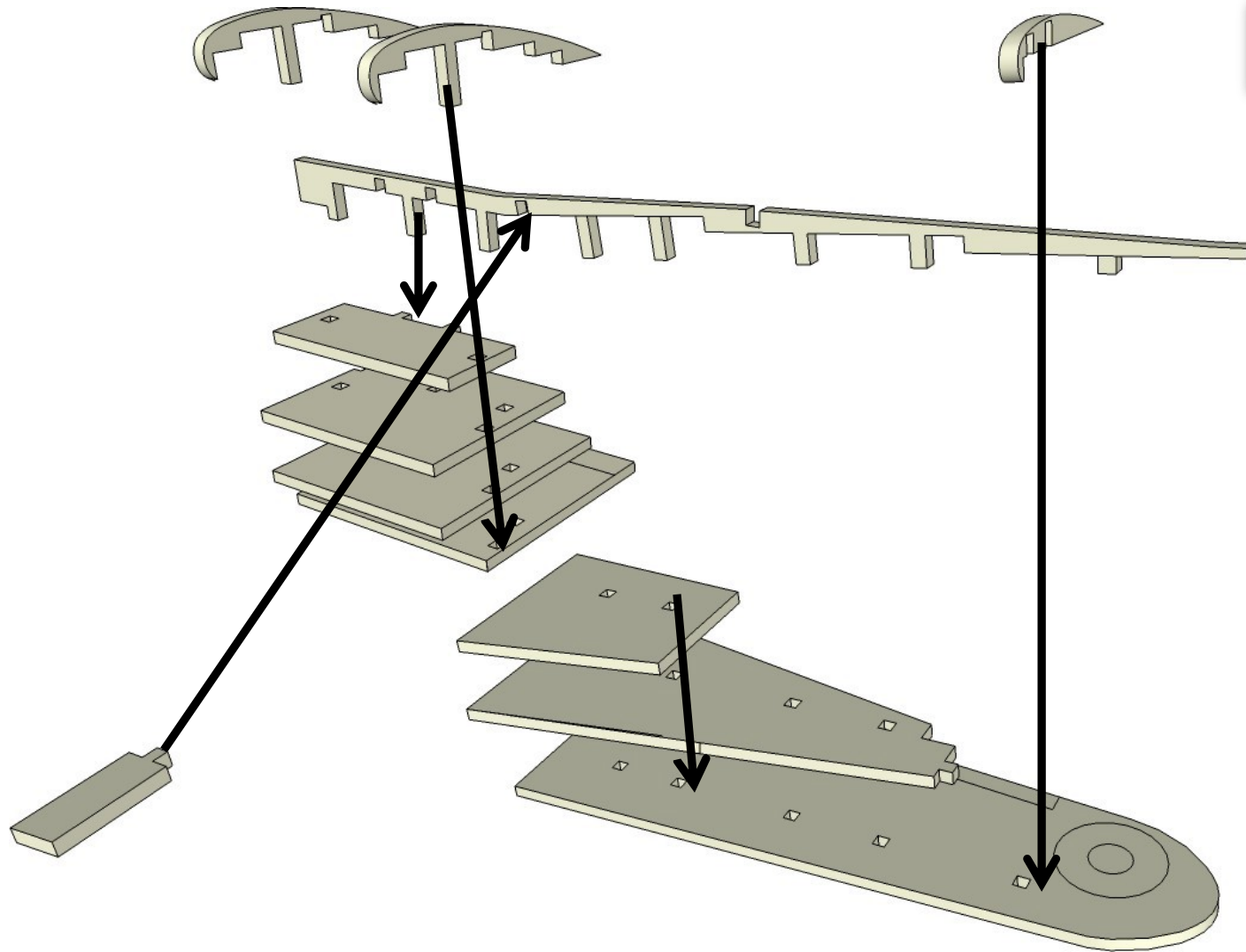
ASSEMBLY STEPS



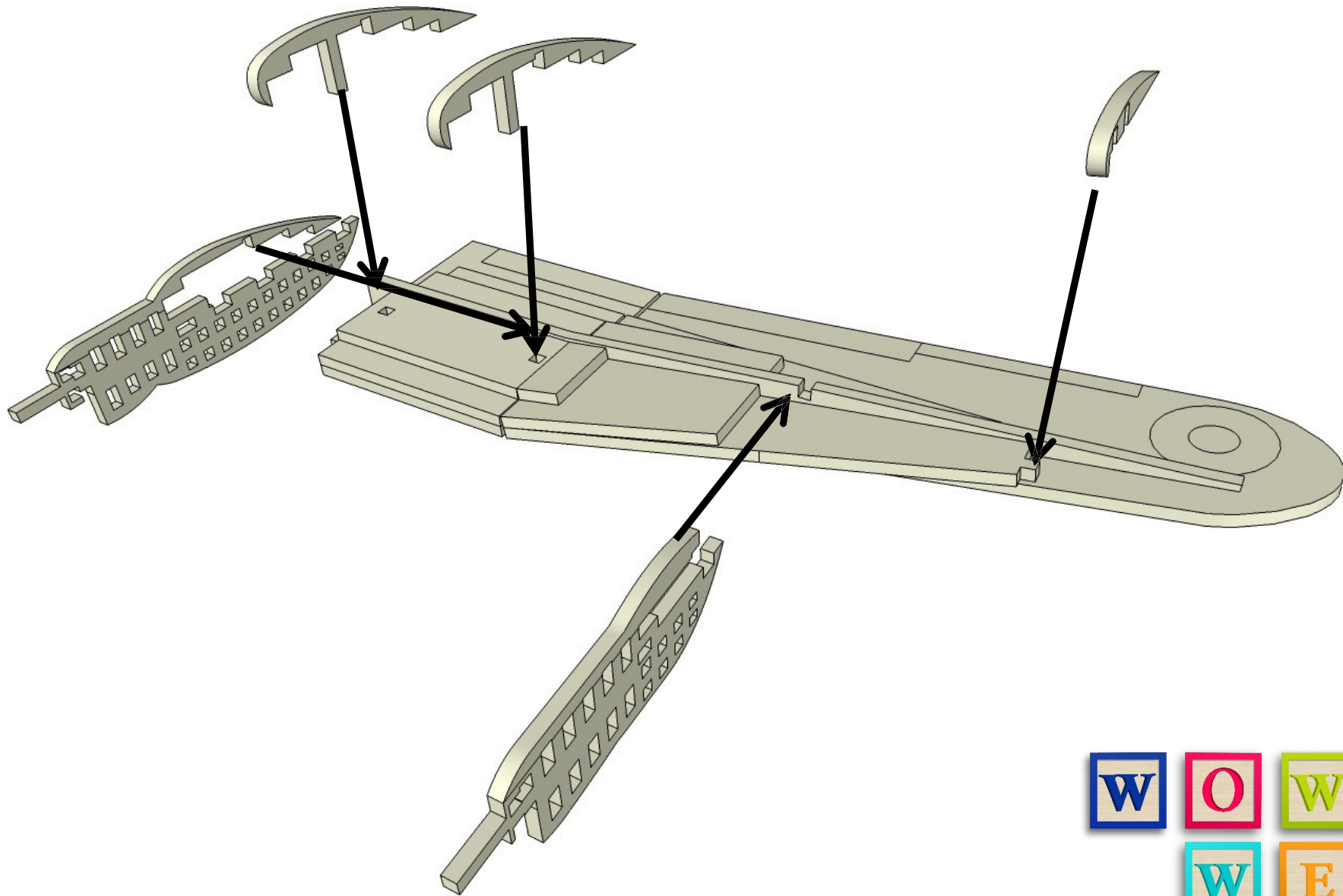
ASSEMBLY STEPS



ASSEMBLY STEPS

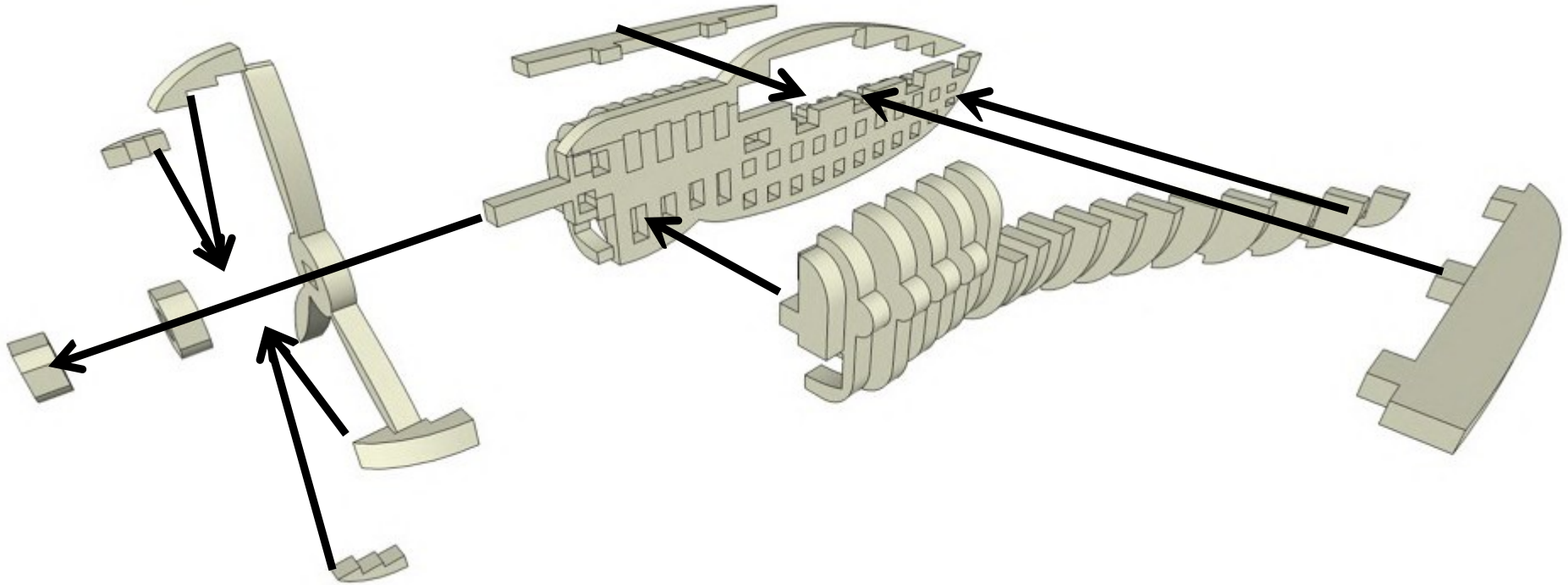


ASSEMBLY STEPS

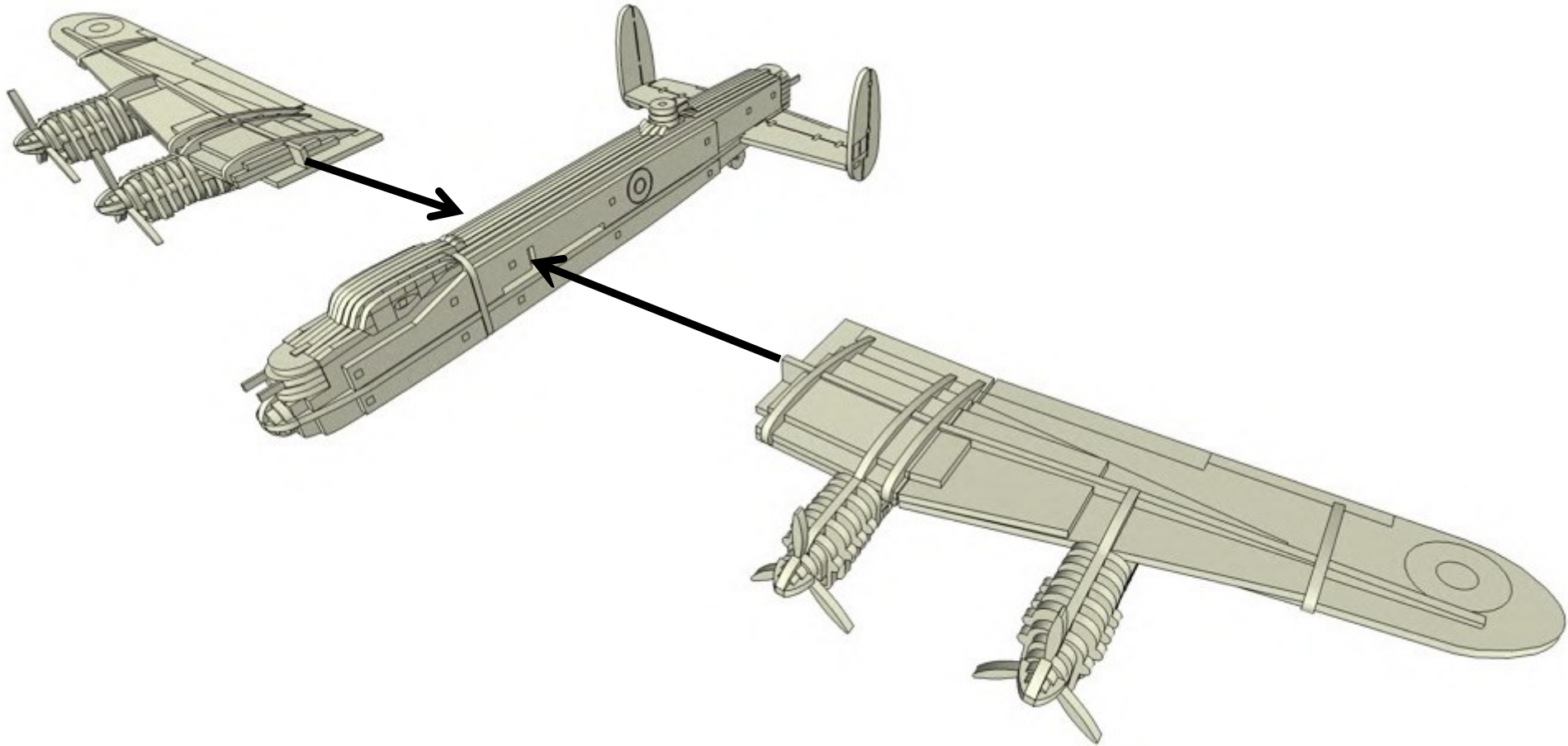


ASSEMBLY STEPS

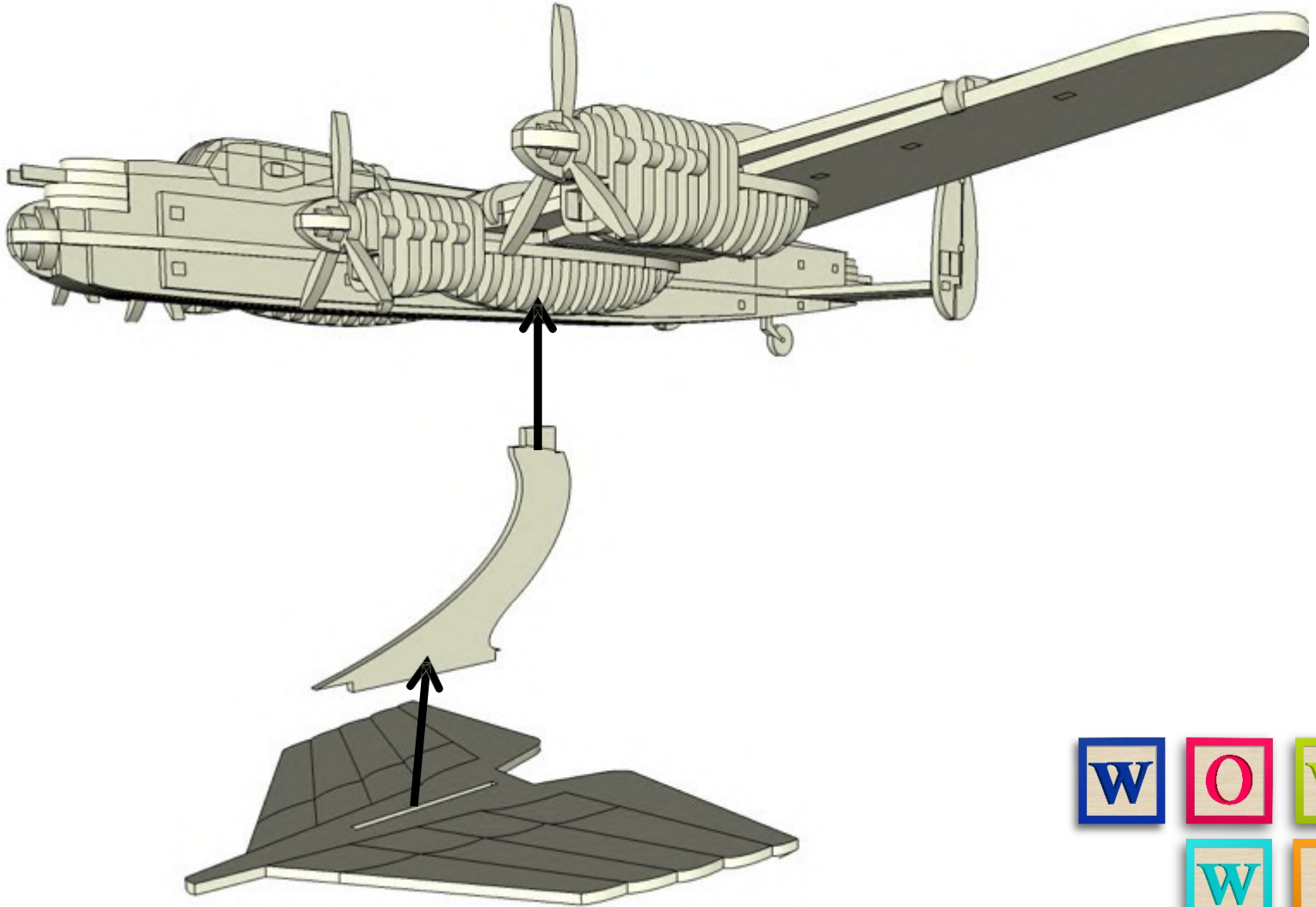




ASSEMBLY STEPS



ASSEMBLY STEPS



ASSEMBLY STEPS



COMPLETE

WWW.WOWWE.CO.ZA