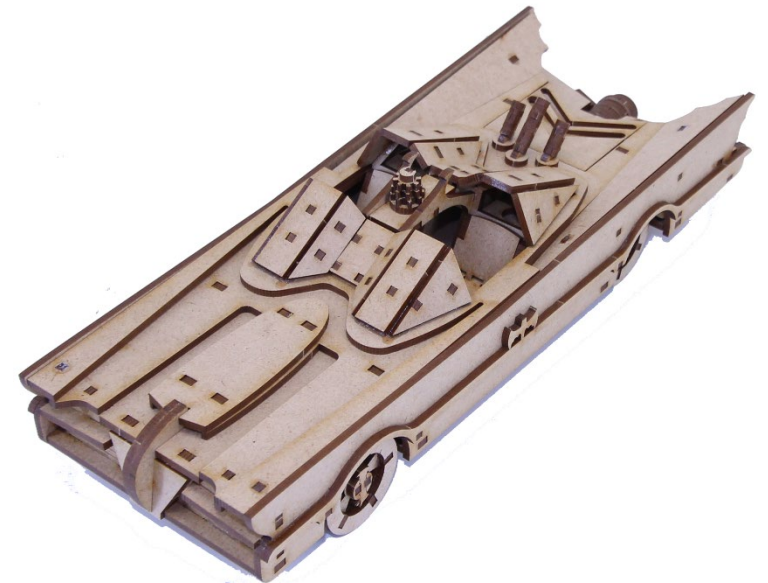
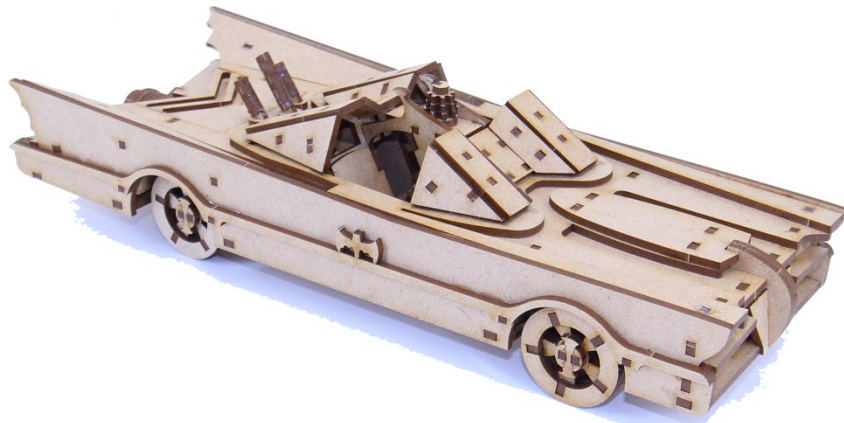
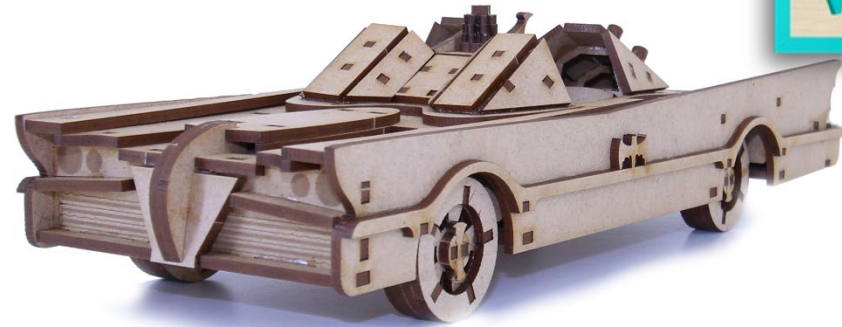


# BATMOBILE CAR

## VEH\_13



**AUTION! • CAUTION! • CAUTION! • CAUTION! • CAUTION!**

# **WHOA!!! CAUTION NOT SO FAST**

This product is made out of MDF / Supawood and is fragile of nature.

We recommend all pieces to be test fitted and if required contact pieces to be filled / sanded down for a better fit.

**PLEASE DO NOT FORCE FIT ANY PIECES AS IT  
WILL BREAK!**

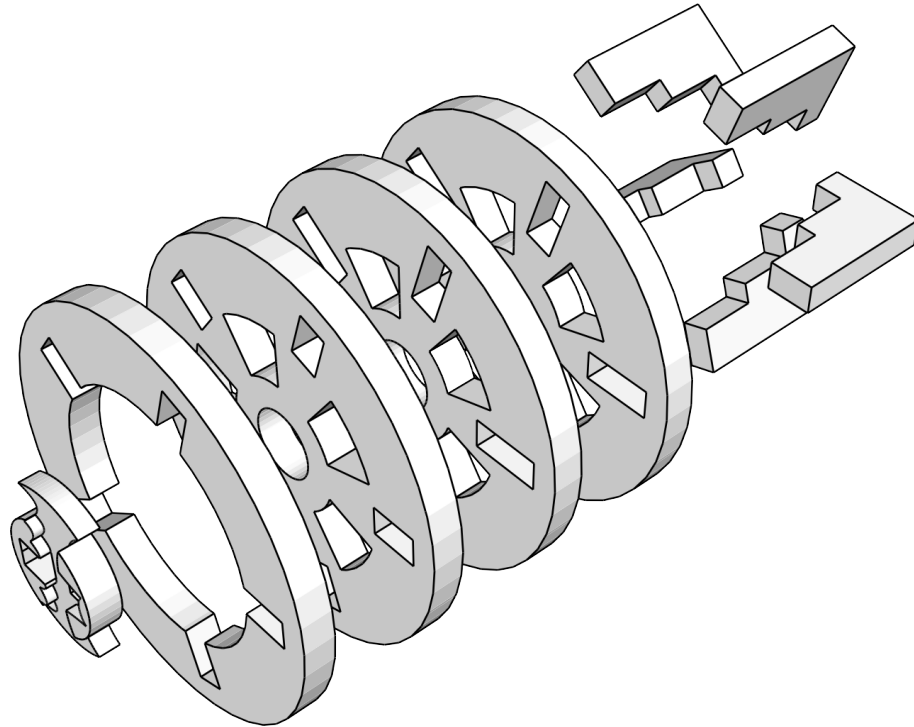
ENJOY BUILDING YOUR NEW MODEL.

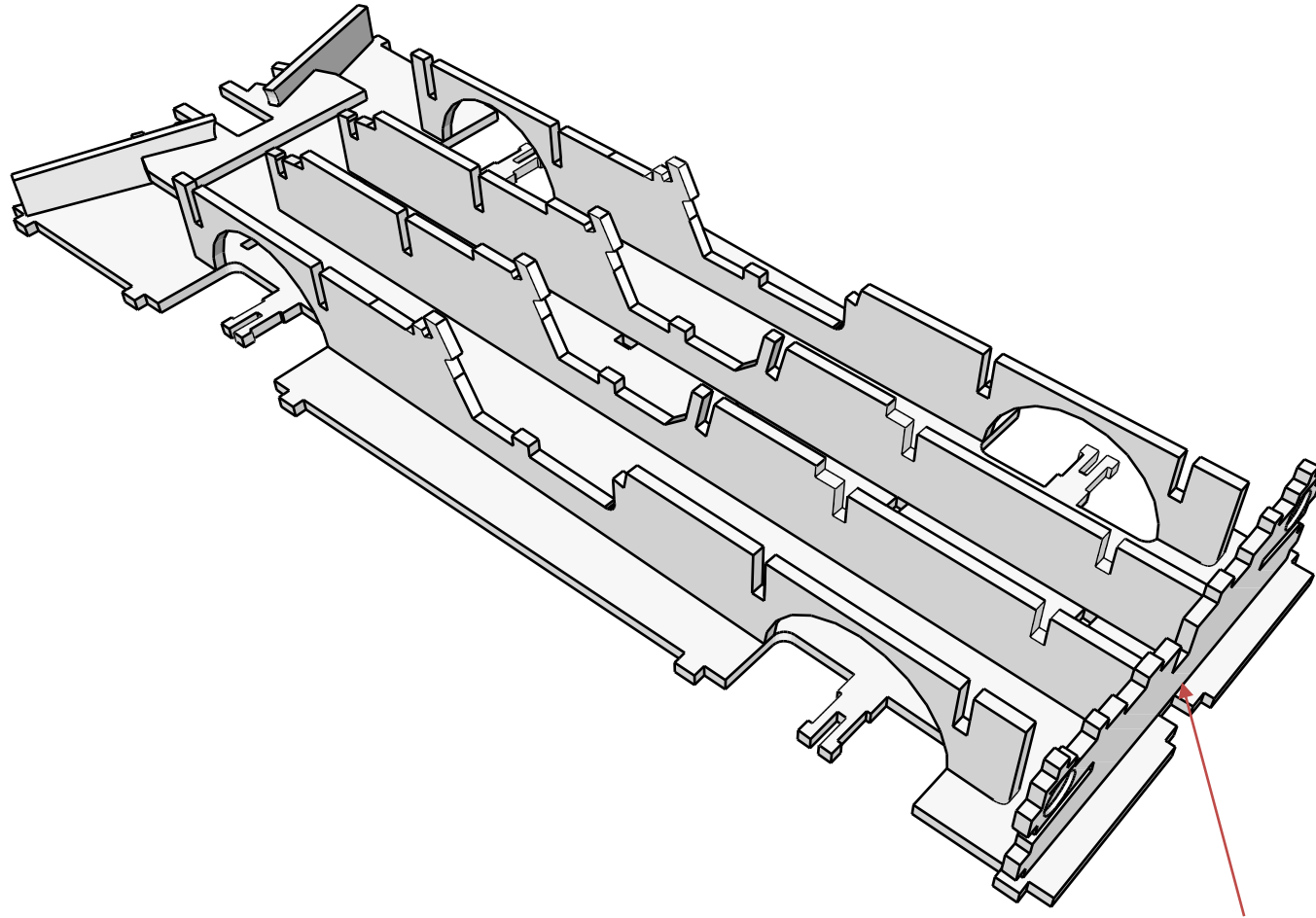
**IT IS RECOMMENDED TO GO THROUGH ALL THE PAGES AND SEE EACH STEP BEFORE STARTING THE  
ASSEMBLY.**

**FULL QUALITY IMAGES AVAILBLE AT [WWW.WOWWE.CO.ZA](http://WWW.WOWWE.CO.ZA), IT WILL ASSIST WITH THE ASSEMBLY, AS WELL AS  
A DOWNLOADABLE LINK OF THIS ASSEMBLY GUIDE.**

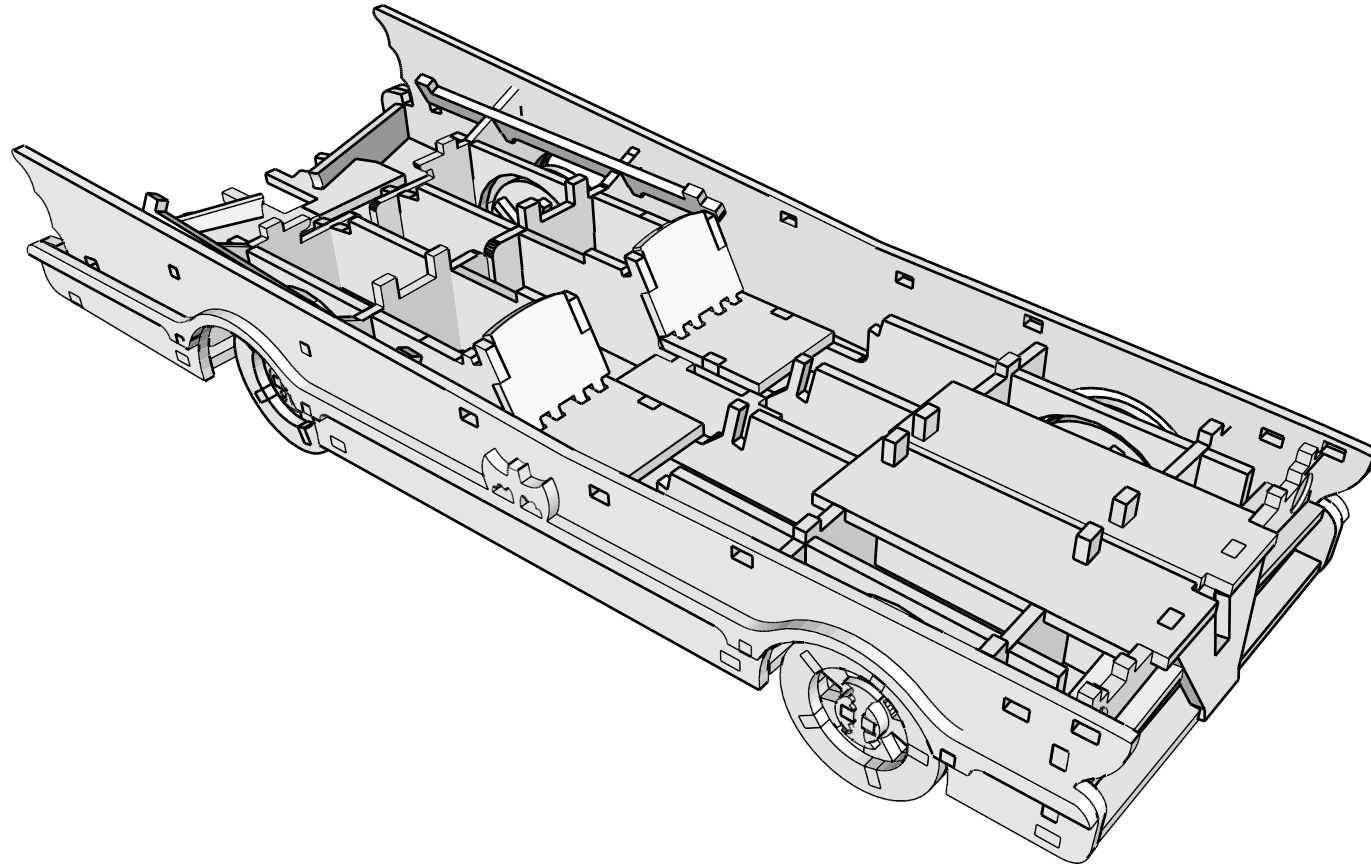
[www.wowwe.co.za](http://www.wowwe.co.za)

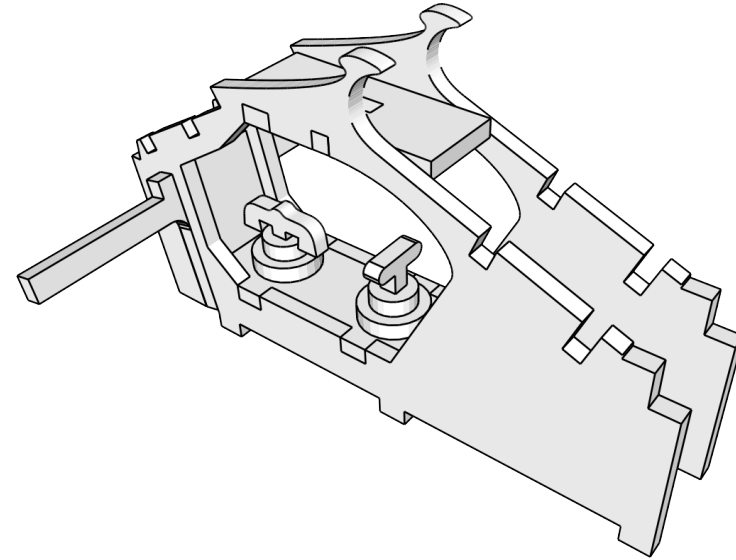
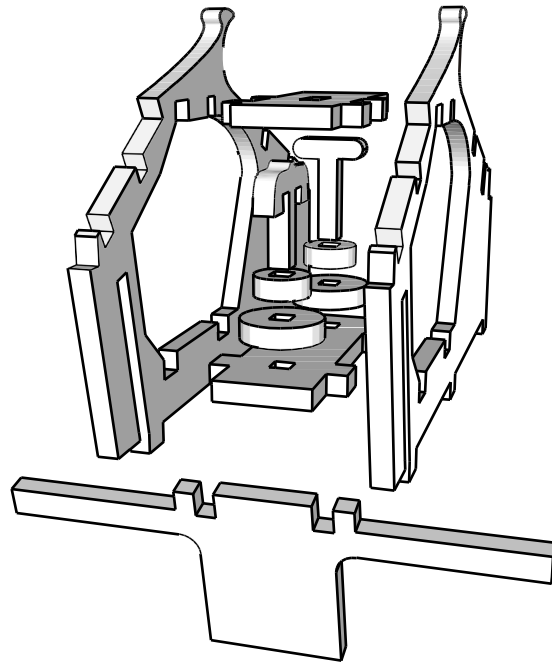
# Wheel assembly

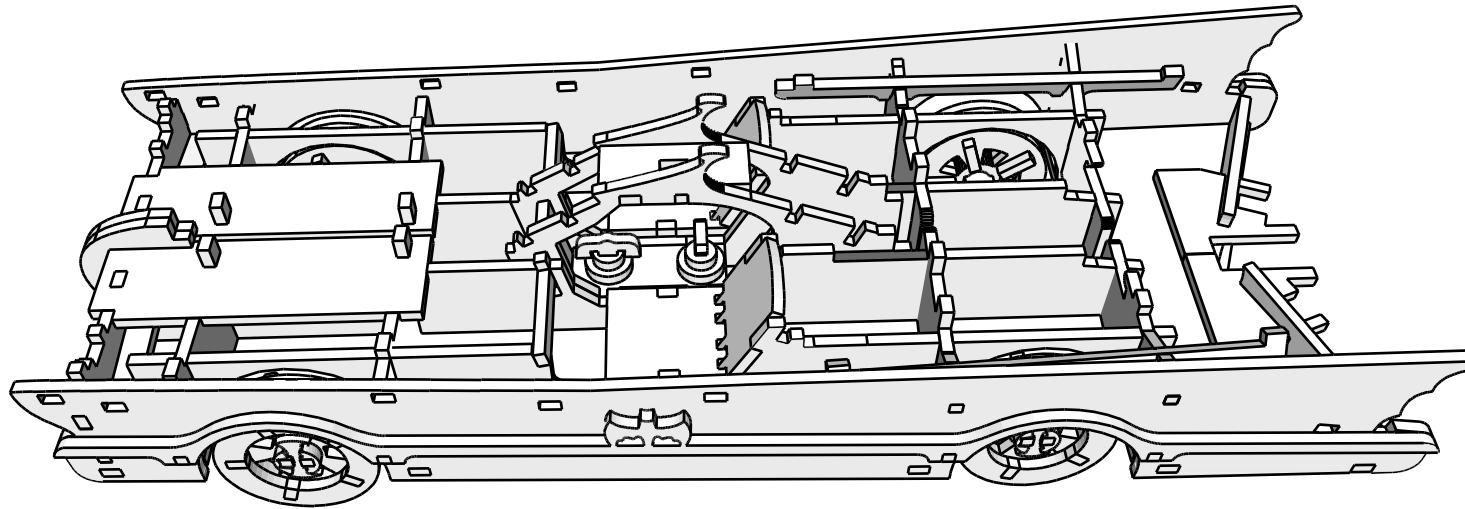


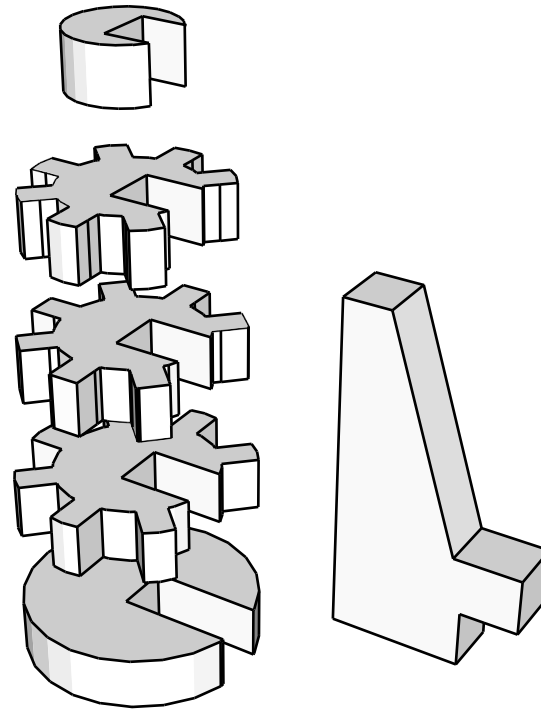


Please take note, the grill assembly to be complete prior to the hood / bonnet installation.

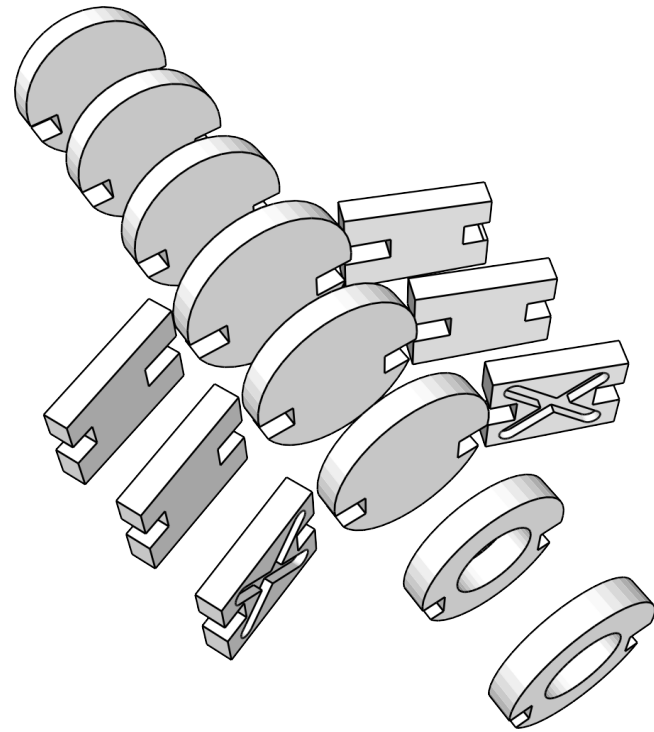


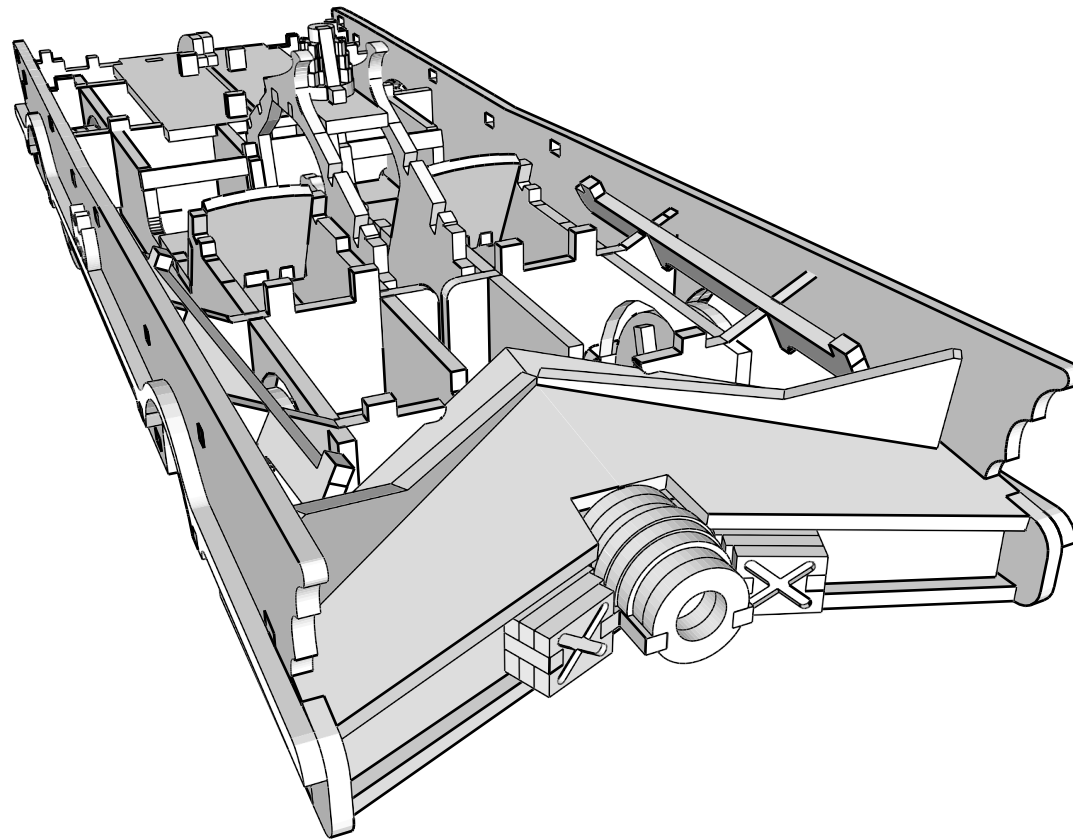


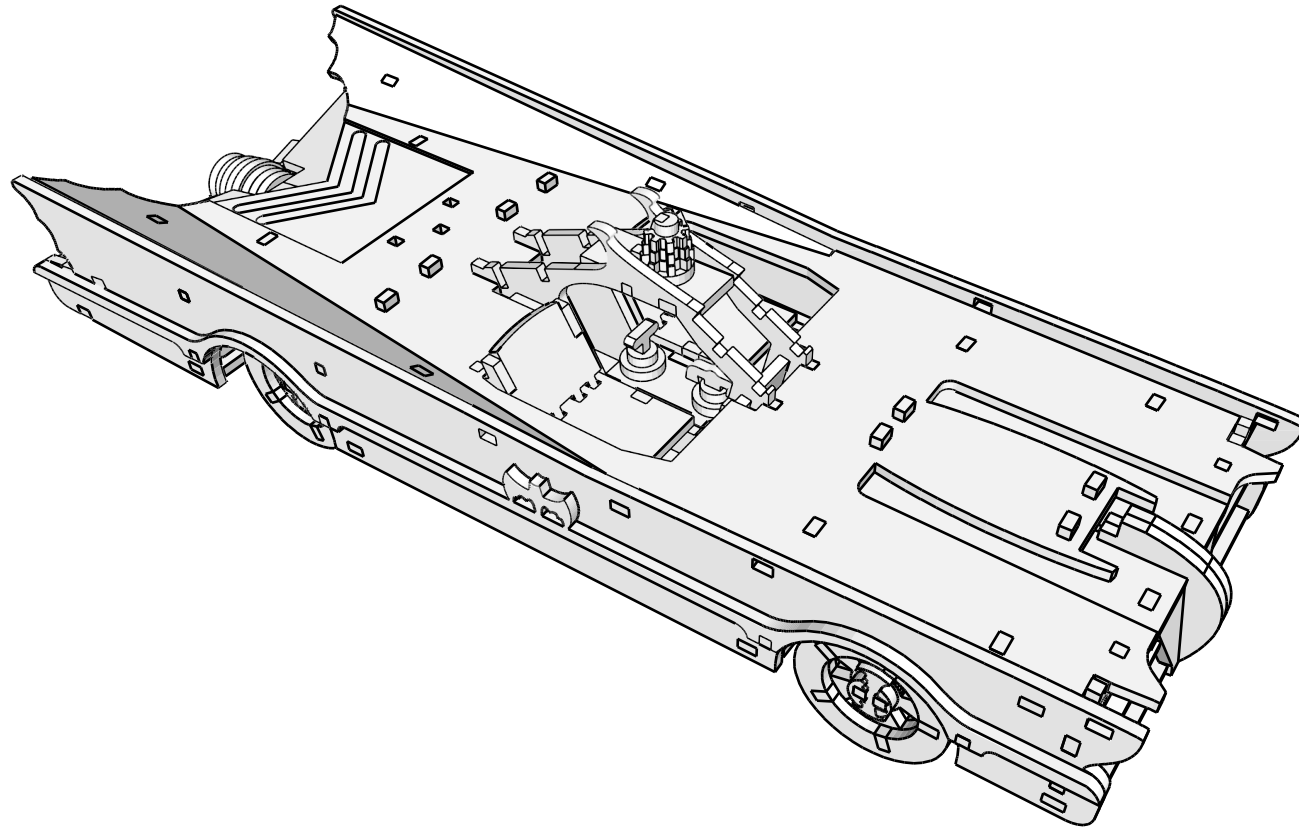


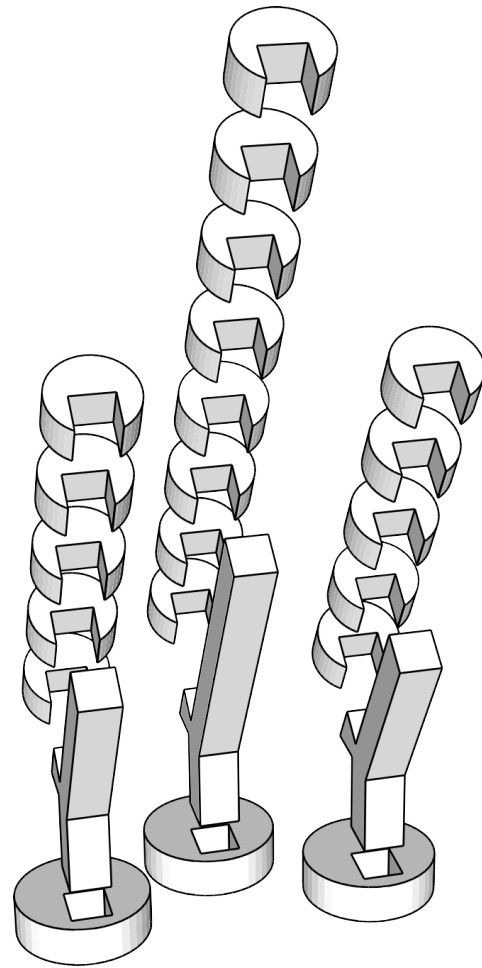












[www.wowwe.co.za](http://www.wowwe.co.za)

