

CAUTION! • CAUTION! • CAUTION! • CAUTION! • CAUTION!

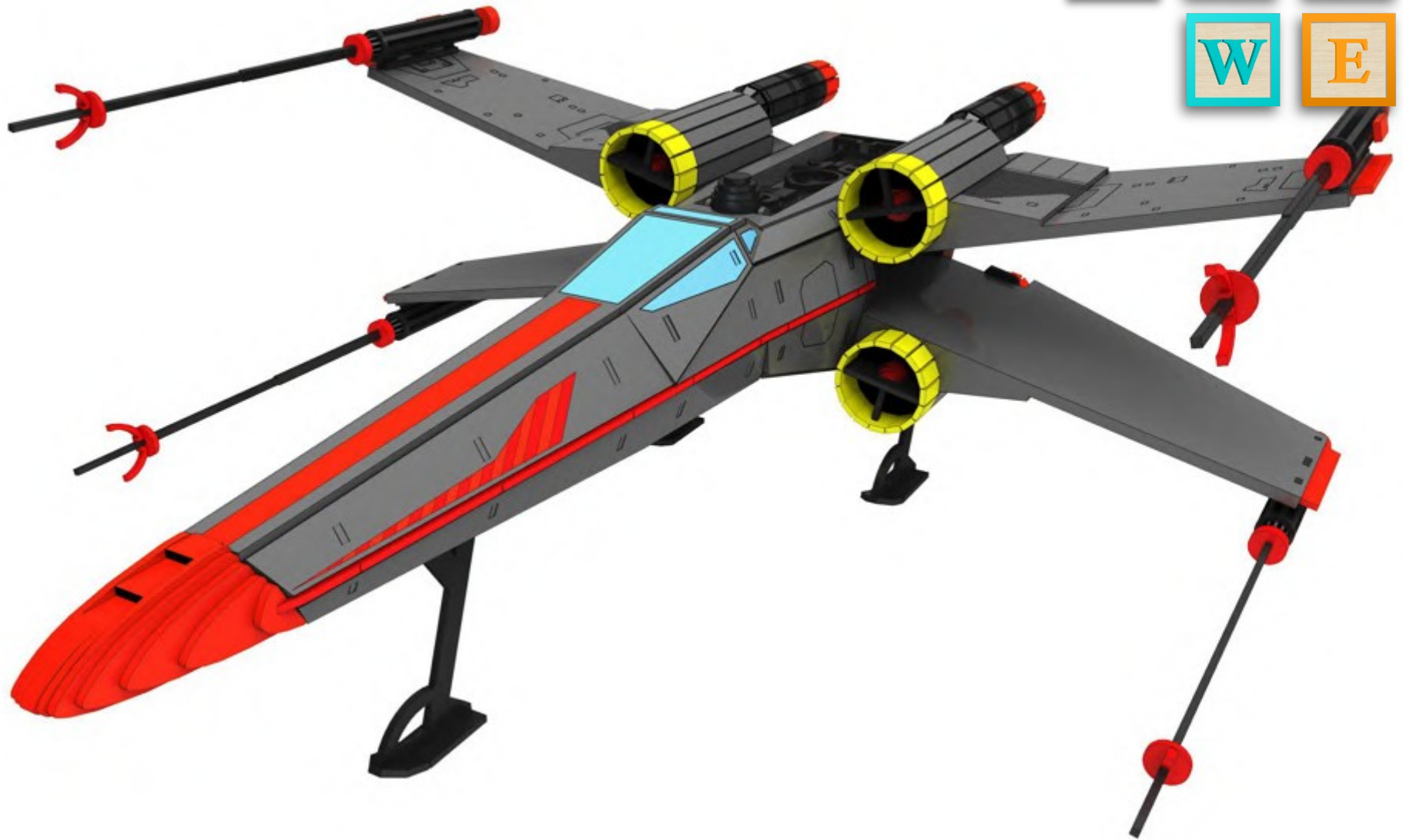
WHOA!!! CAUTION NOT SO FAST

This product is made out of MDF / Supawood and is fragile of nature.

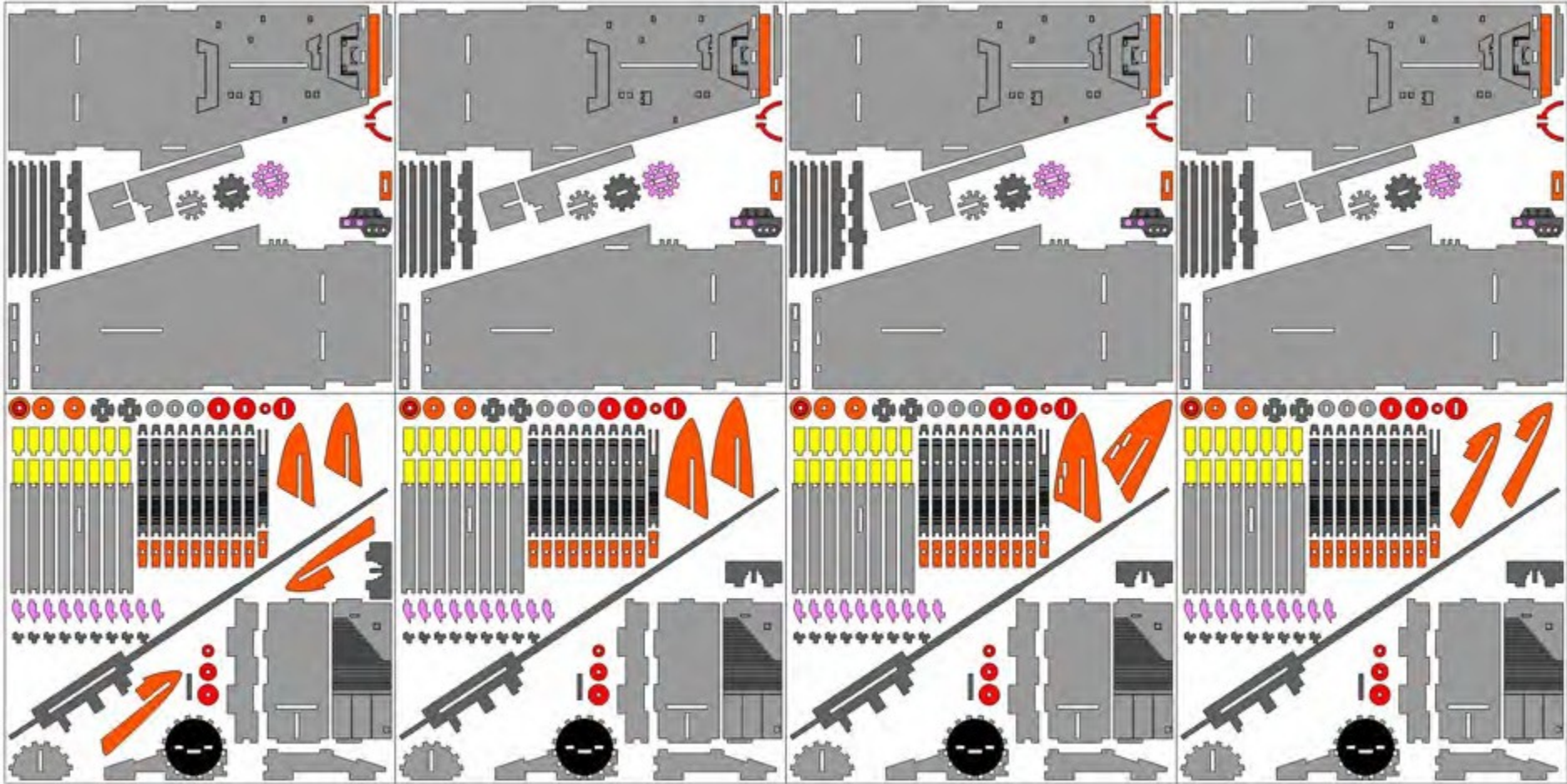
We recommend all pieces to be test fitted and if required contact pieces to be filled / sanded down for a better fit.

**PLEASE DO NOT FORCE FIT ANY PIECES AS IT
WILL BREAK!**

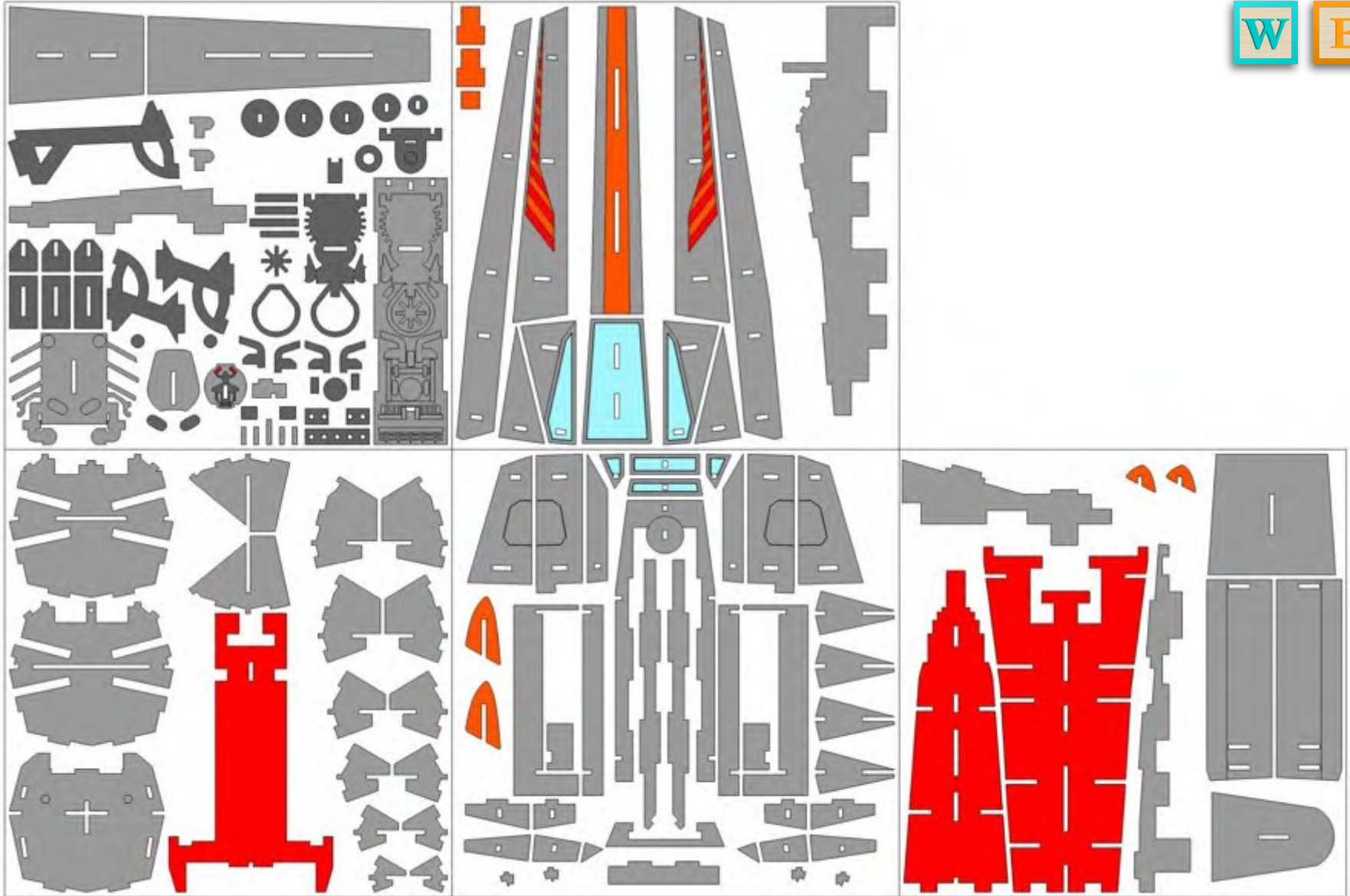
ENJOY BUILDING YOUR NEW MODEL.
WWW.WOWWE.CO.ZA



STAR WARS X-WING WWW.WOWWE.CO.ZA

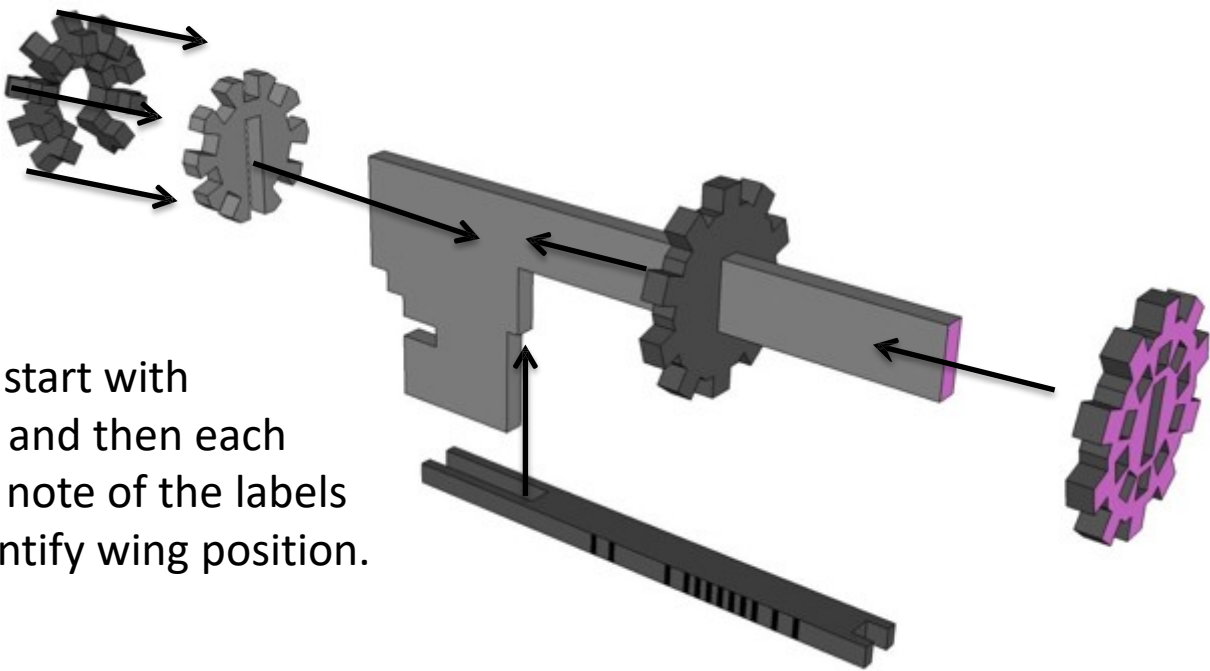


PARTS LIST

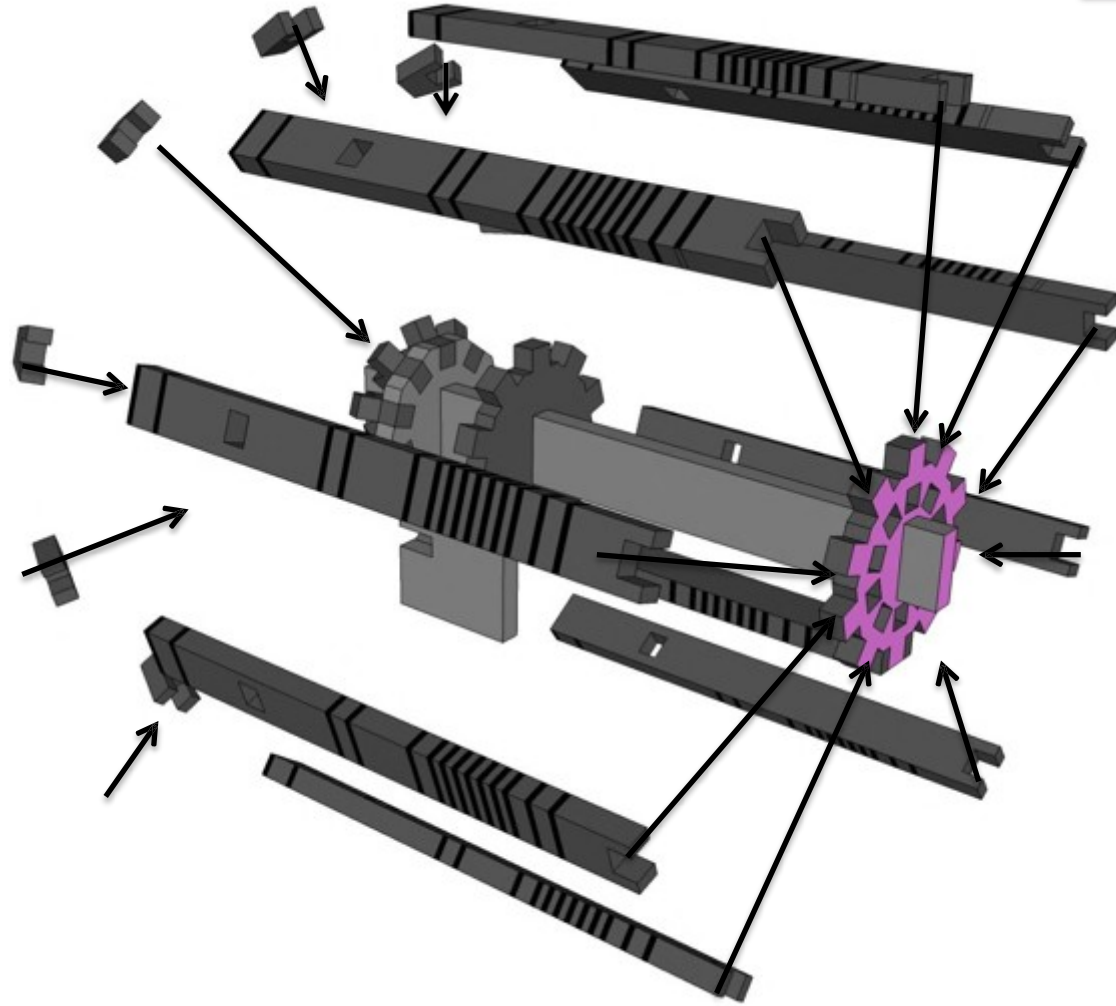


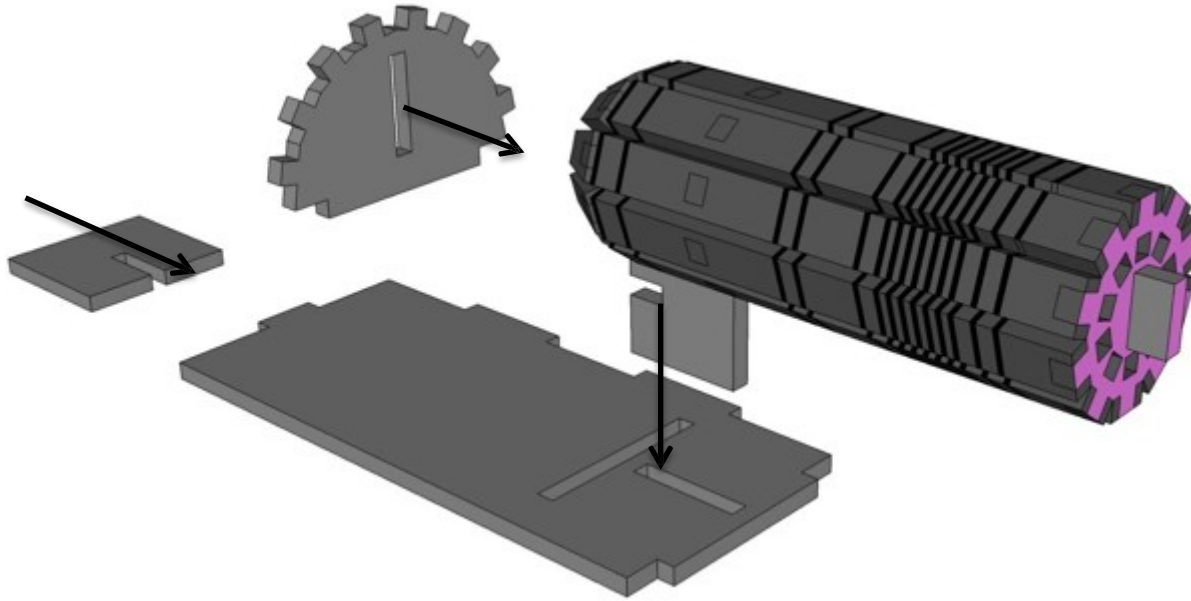
PARTS LIST

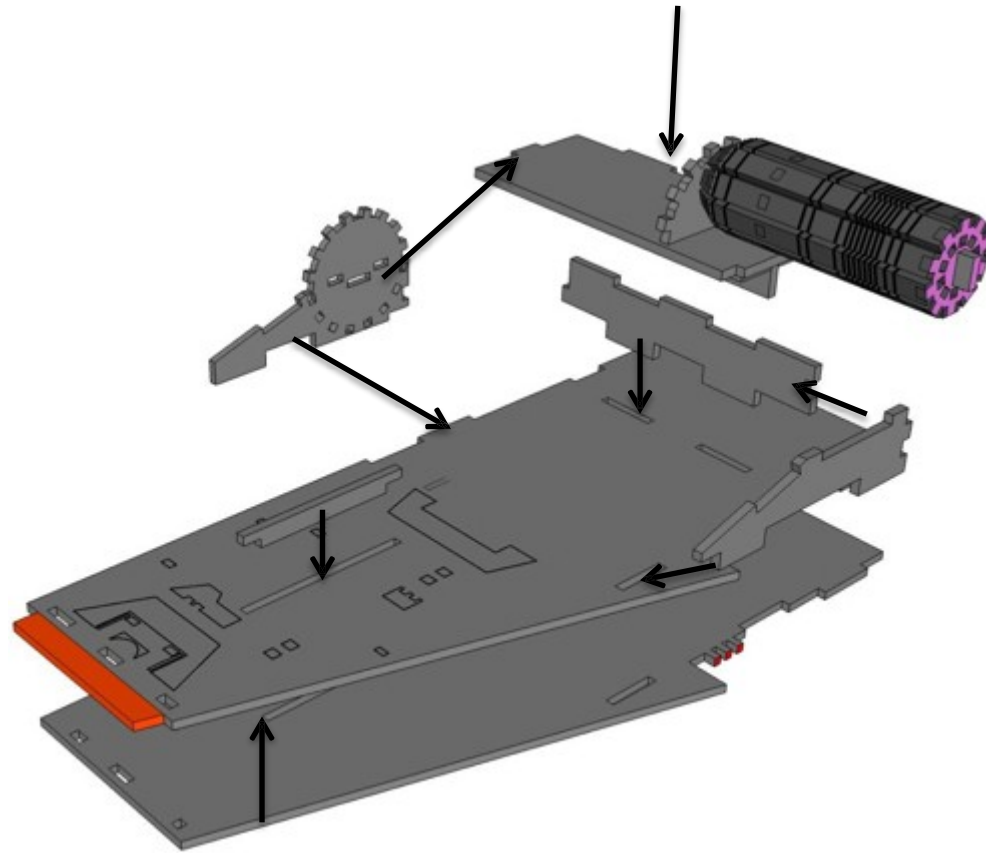
IT IS RECOMMENDED TO GO THROUGH ALL THE PAGES
AND SEE EACH STEP BEFORE STARTING THE ASSEMBLY



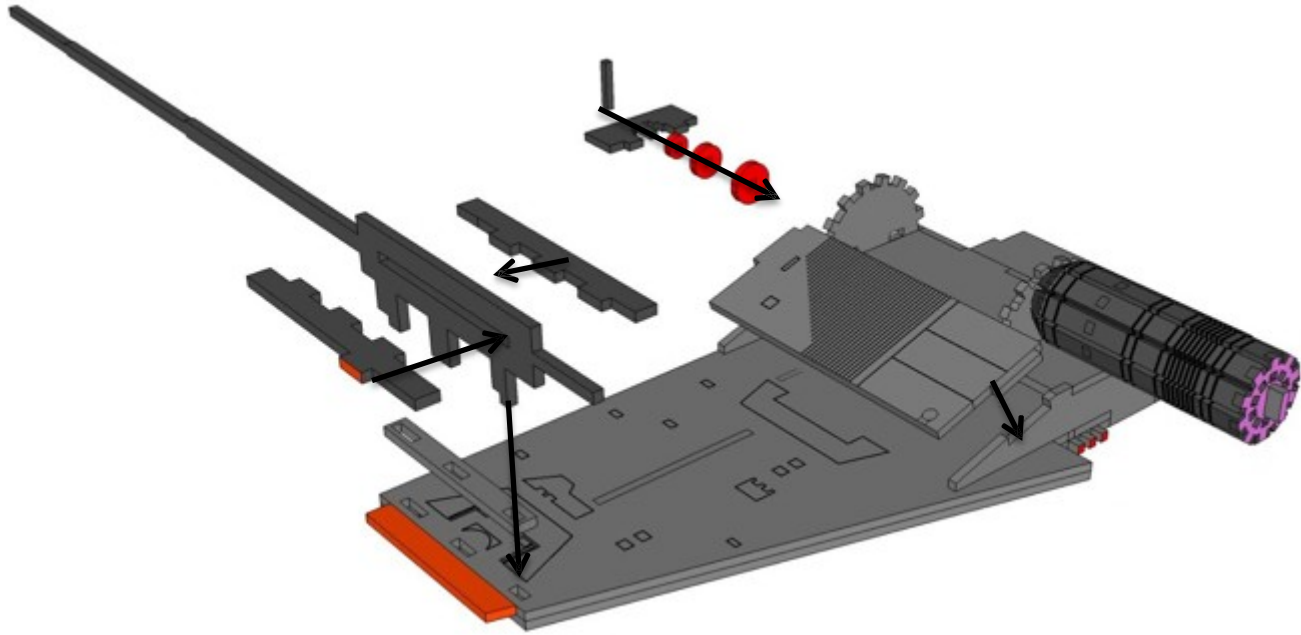
We recommend to start with the main body first and then each Wing – please take note of the labels on the sheet to identify wing position.



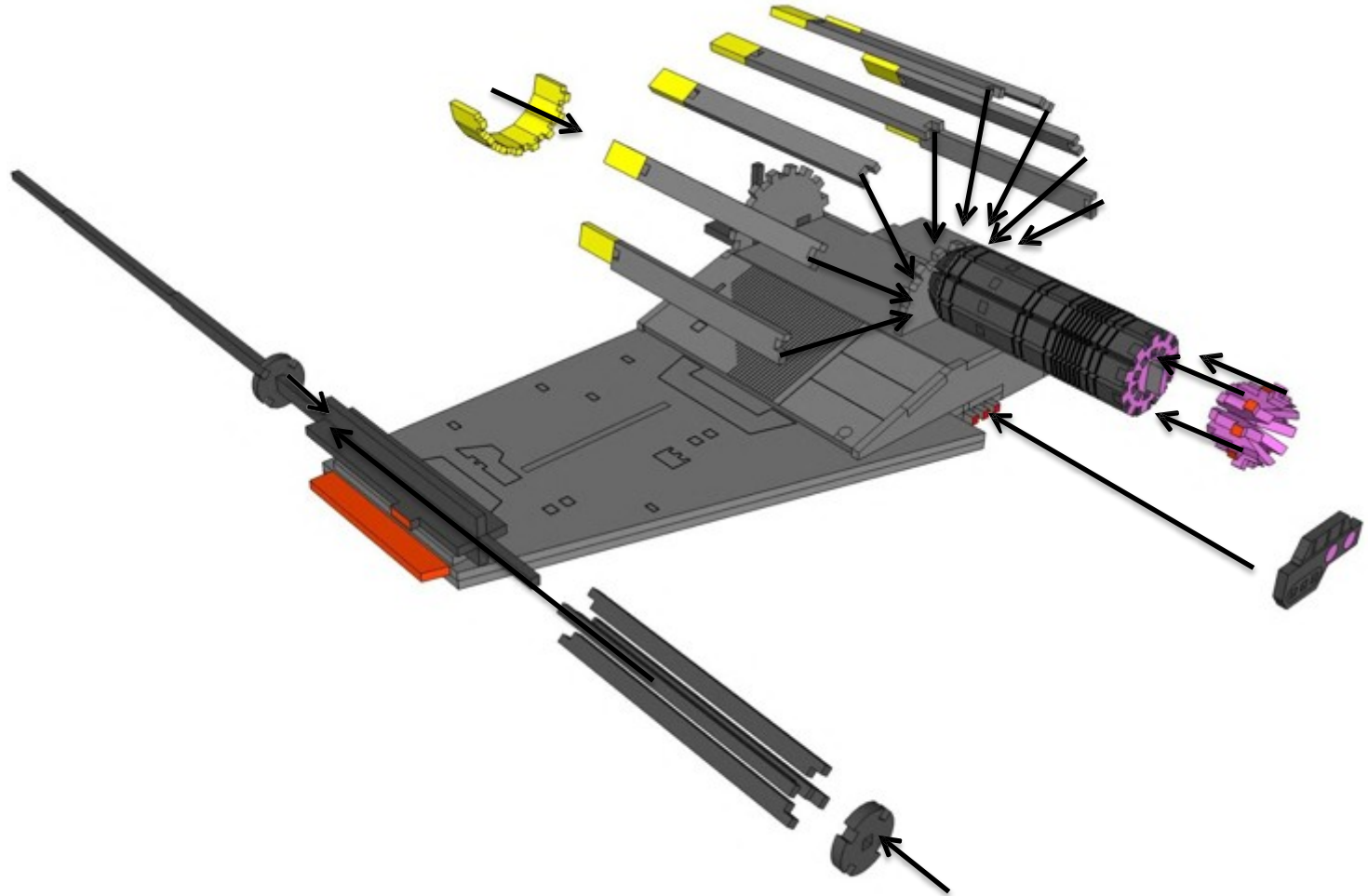




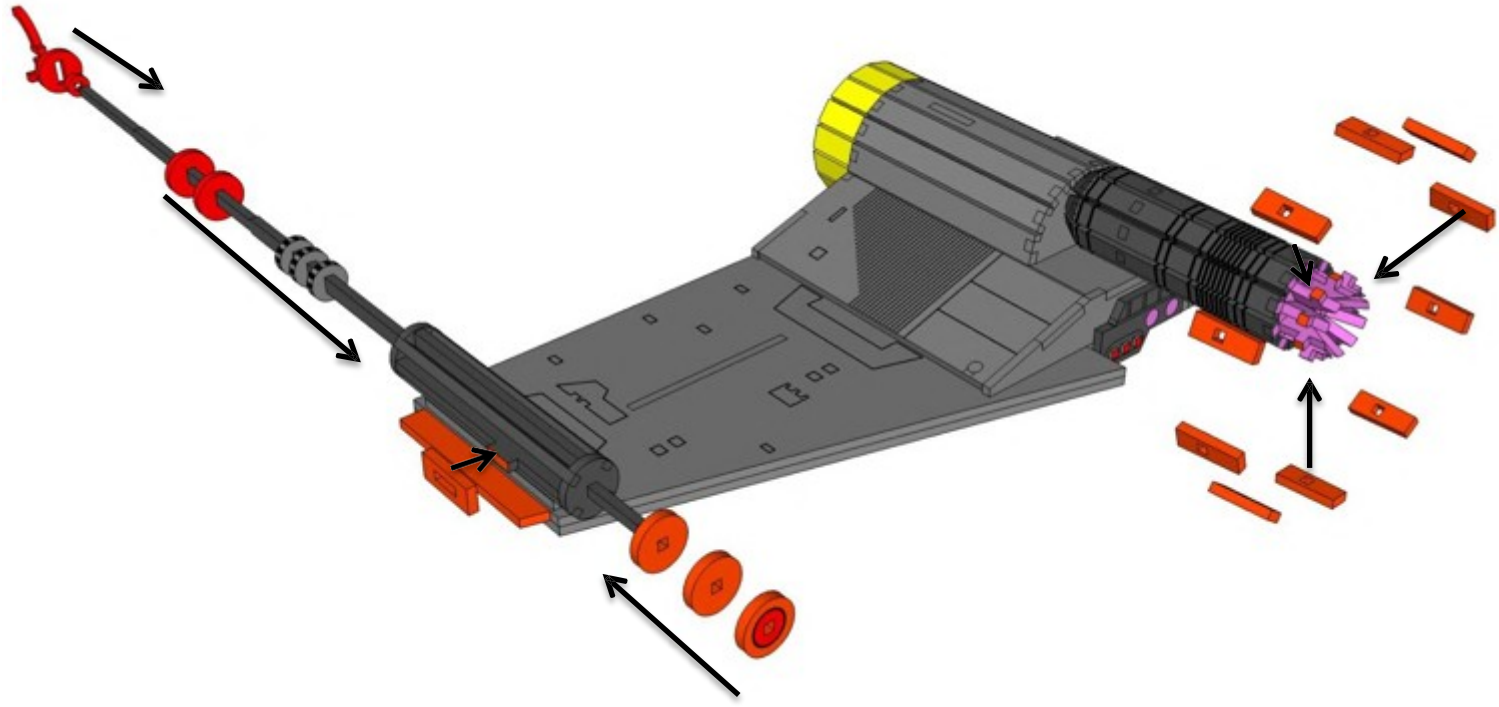
ASSEMBLY STEPS

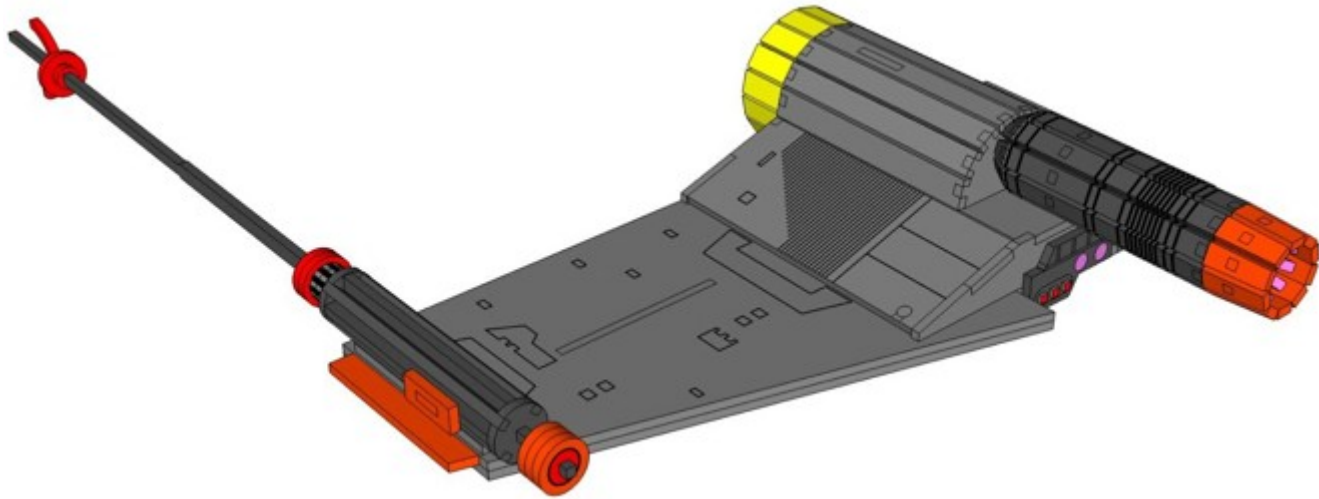


ASSEMBLY STEPS

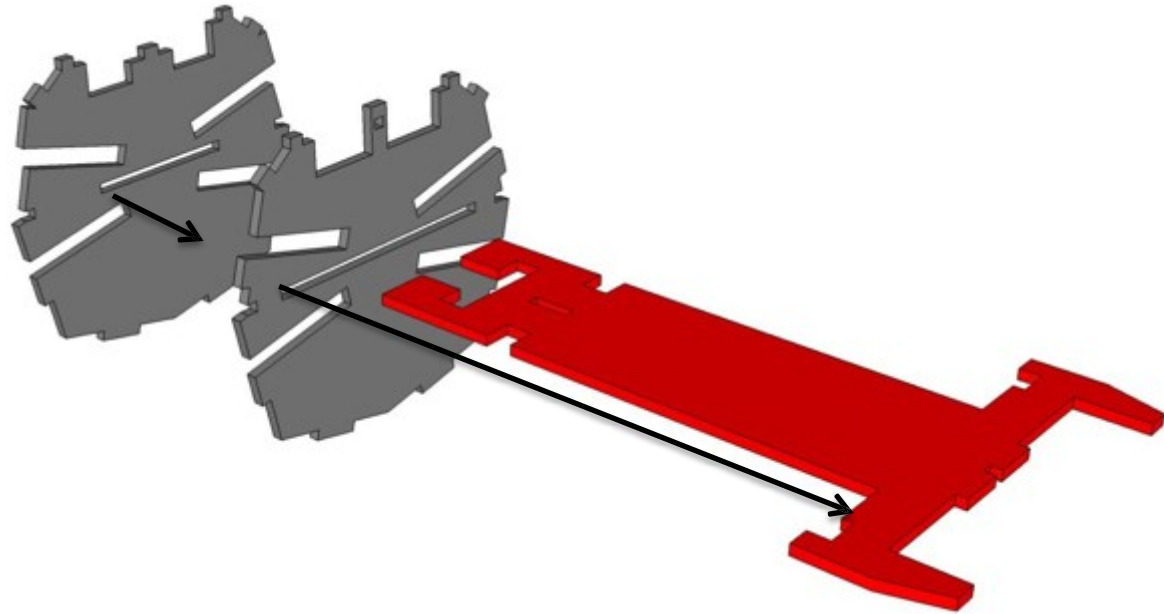


ASSEMBLY STEPS WWW.WOWWE.CO.ZA



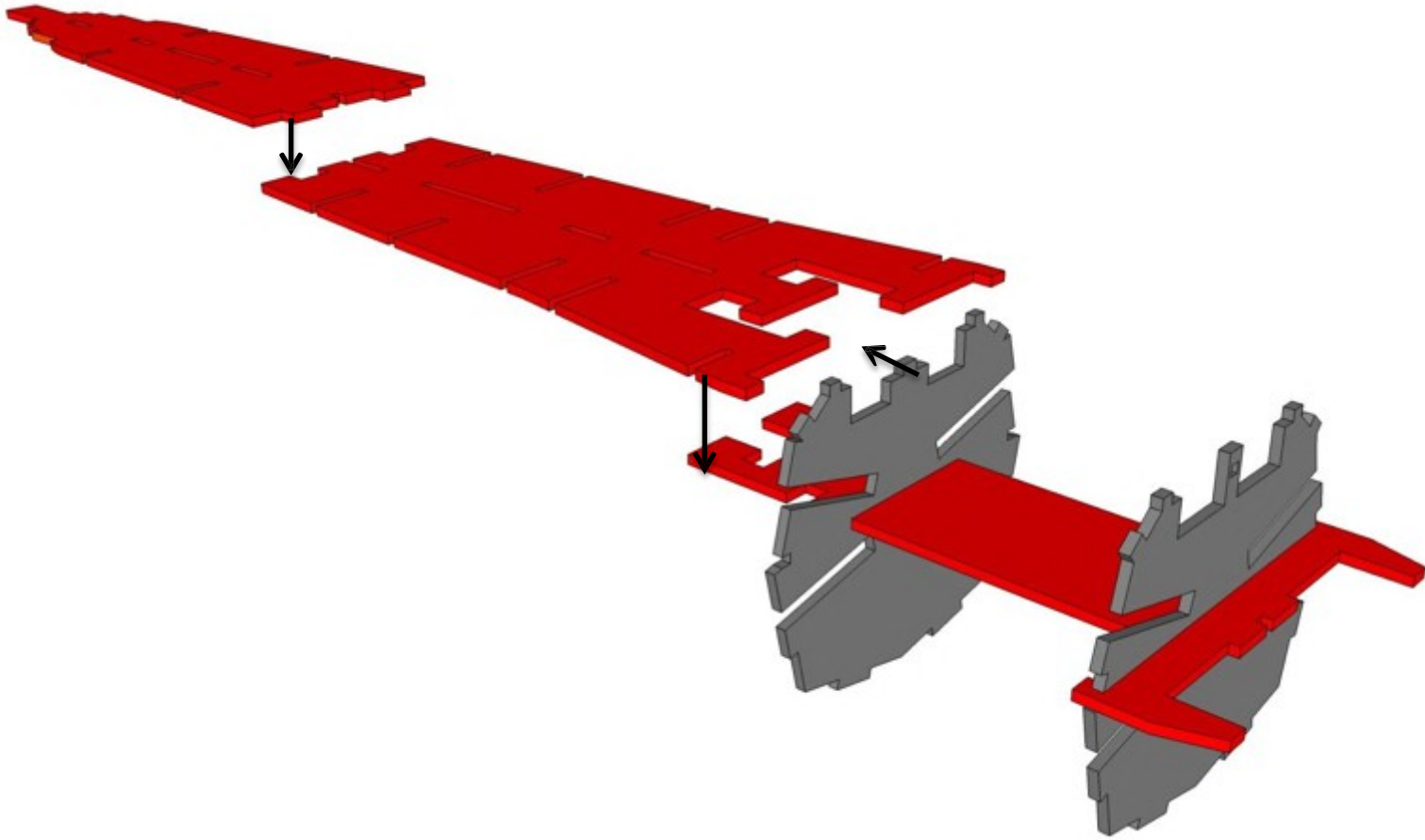


ASSEMBLY STEPS WWW.WOWWE.CO.ZA



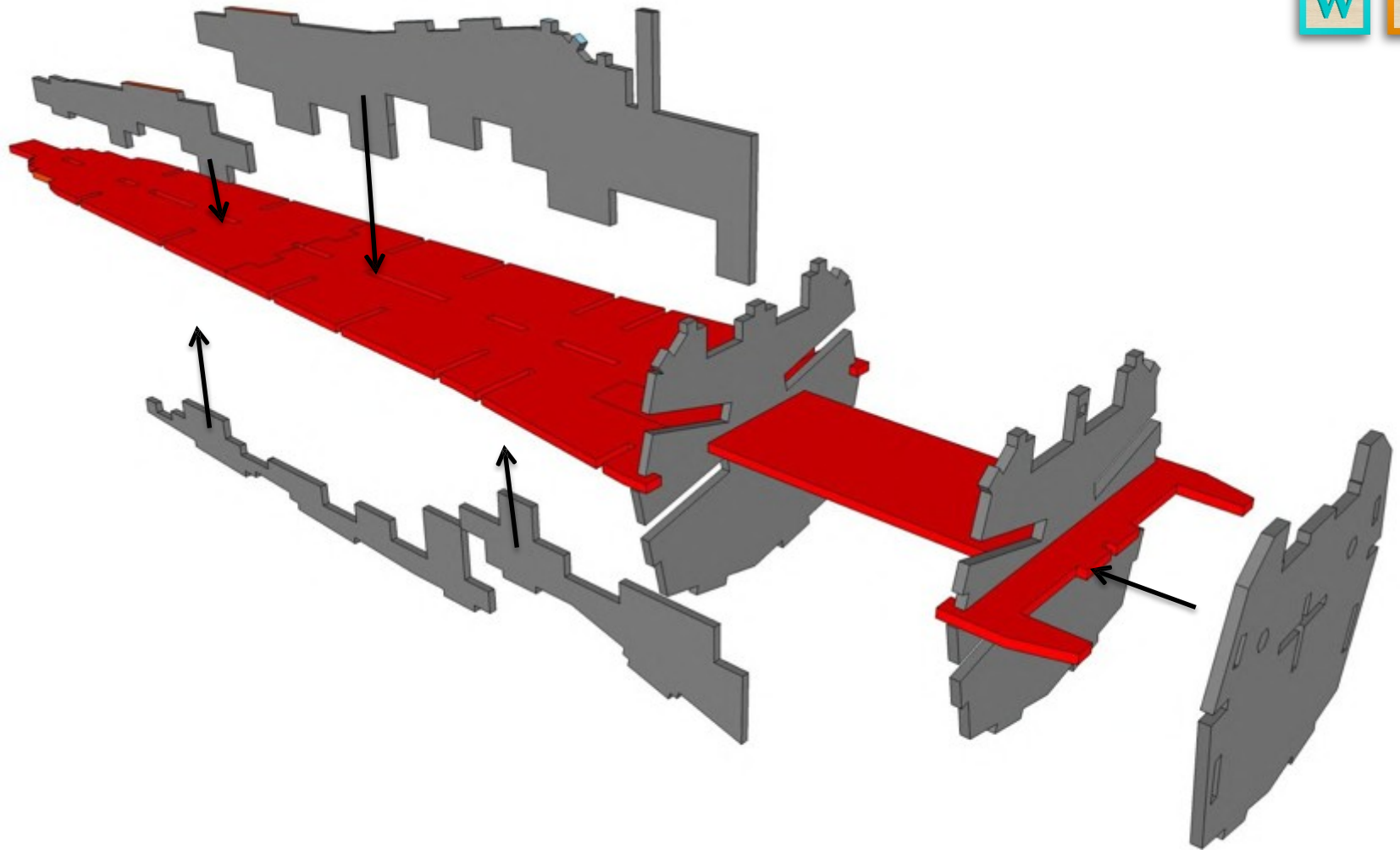
ASSEMBLY STEPS

WWW.WOWWE.CO.ZA



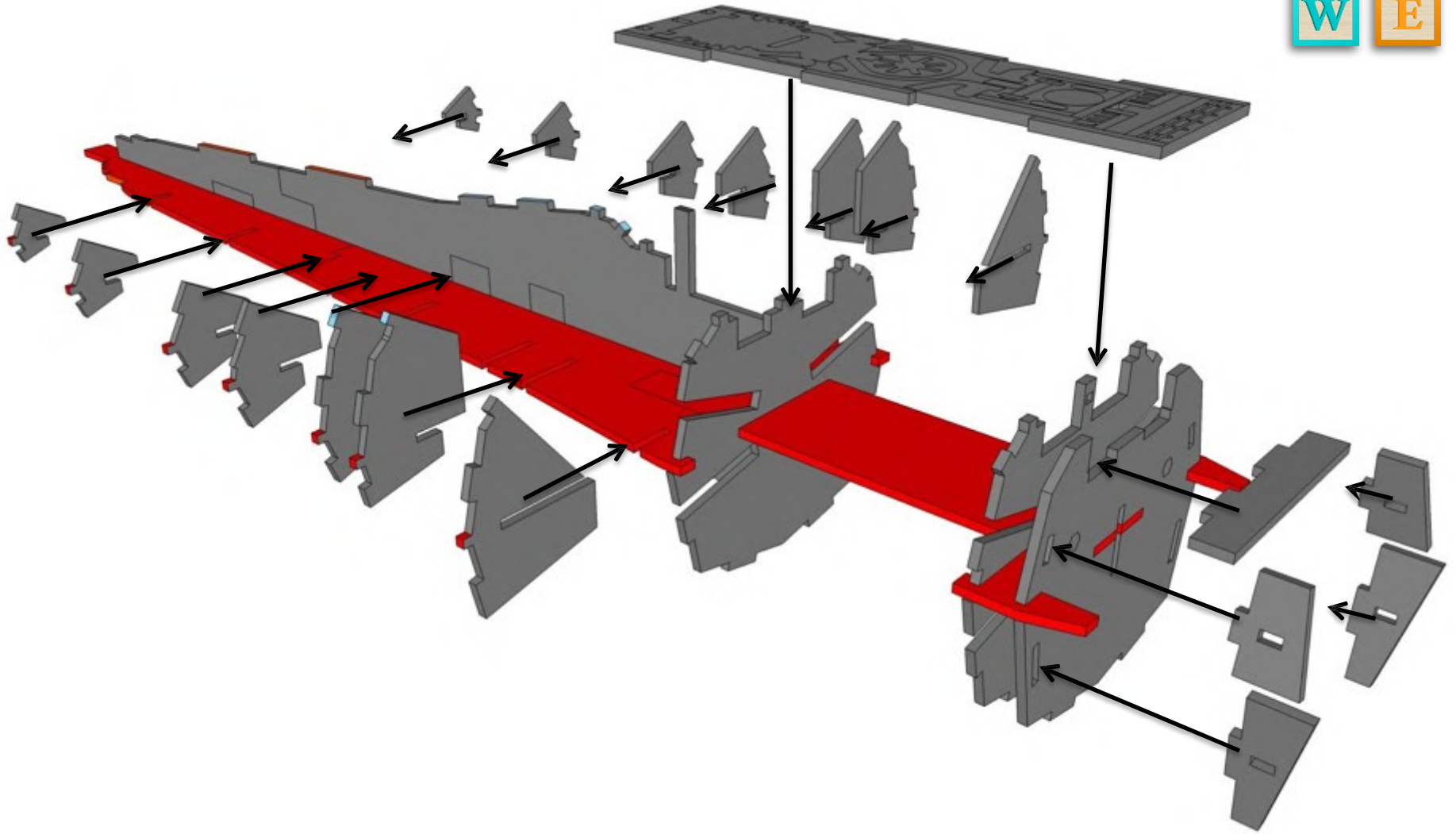
ASSEMBLY STEPS

WWW.WOWWE.CO.ZA

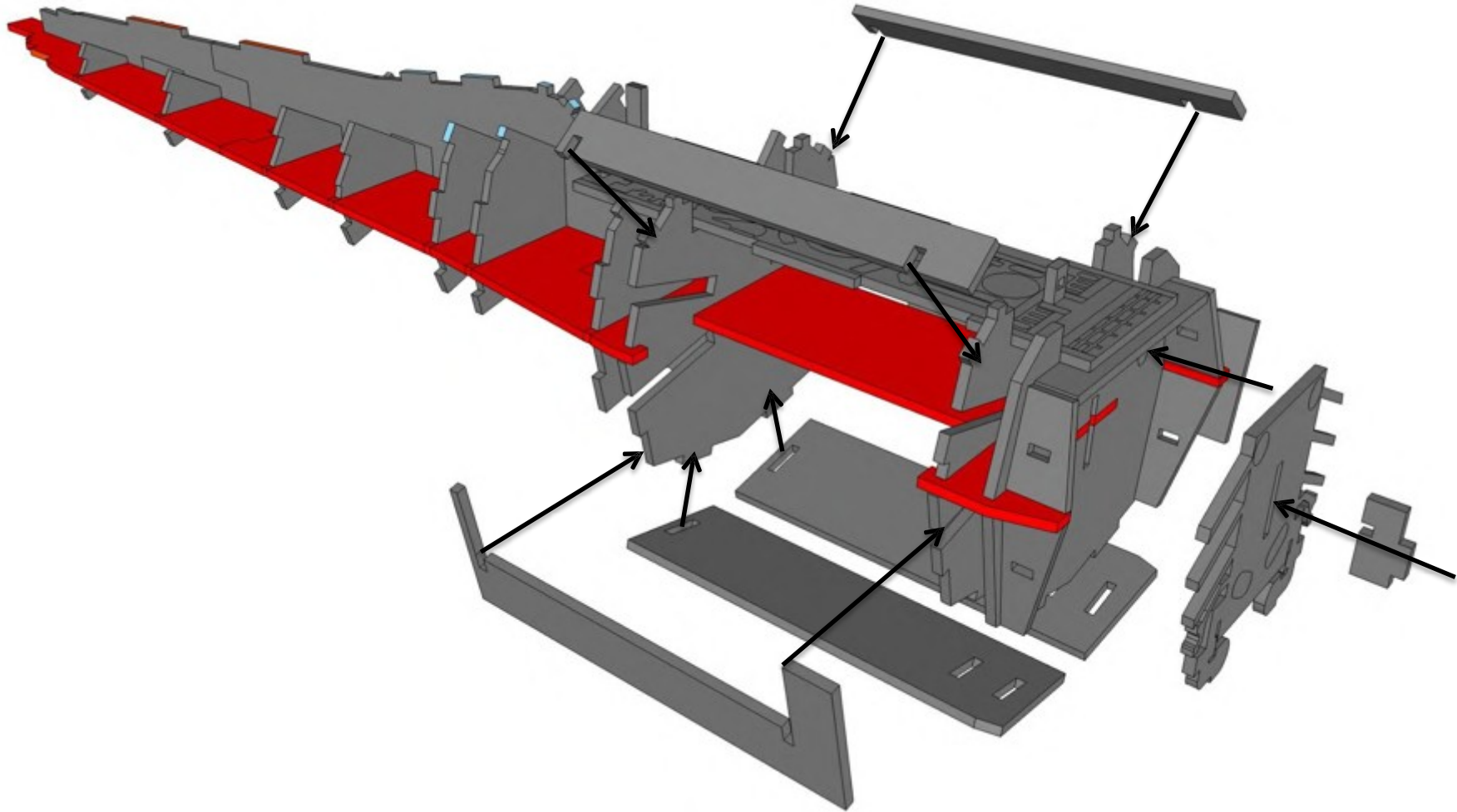


ASSEMBLY STEPS

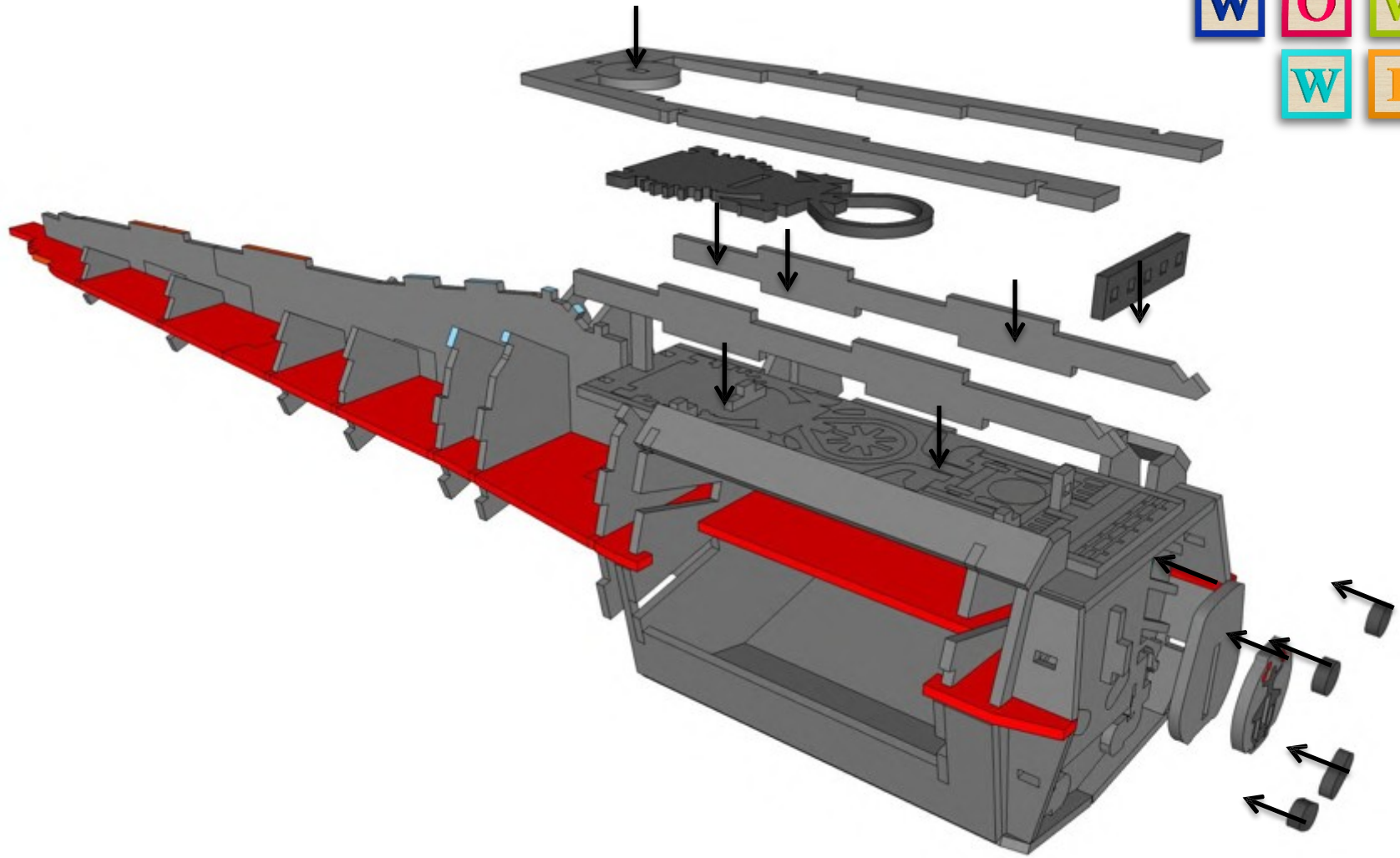
WWW.WOWWE.CO.ZA



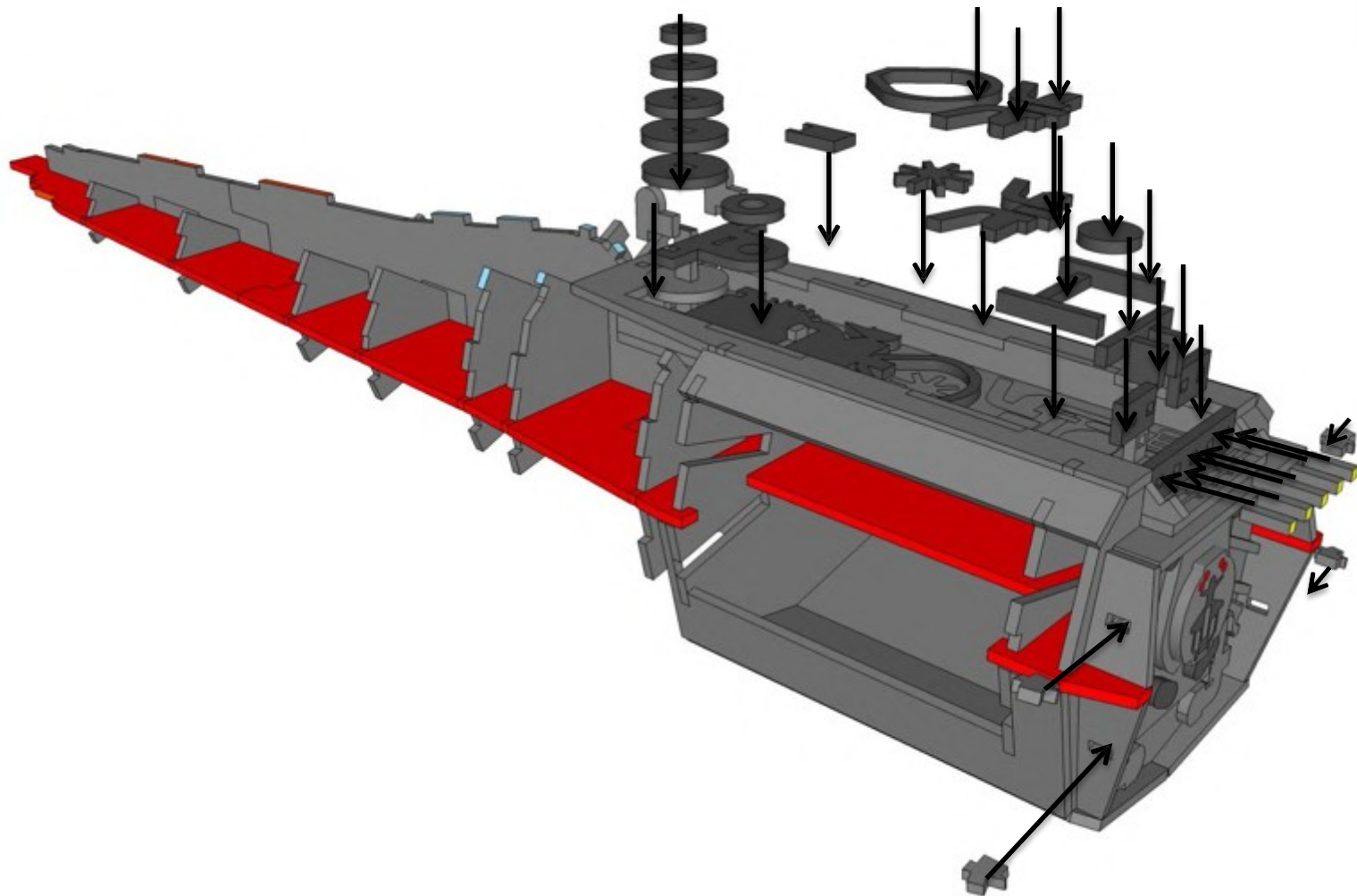
ASSEMBLY STEPS WWW.WOWWE.CO.ZA



ASSEMBLY STEPS WWW.WOWWE.CO.ZA

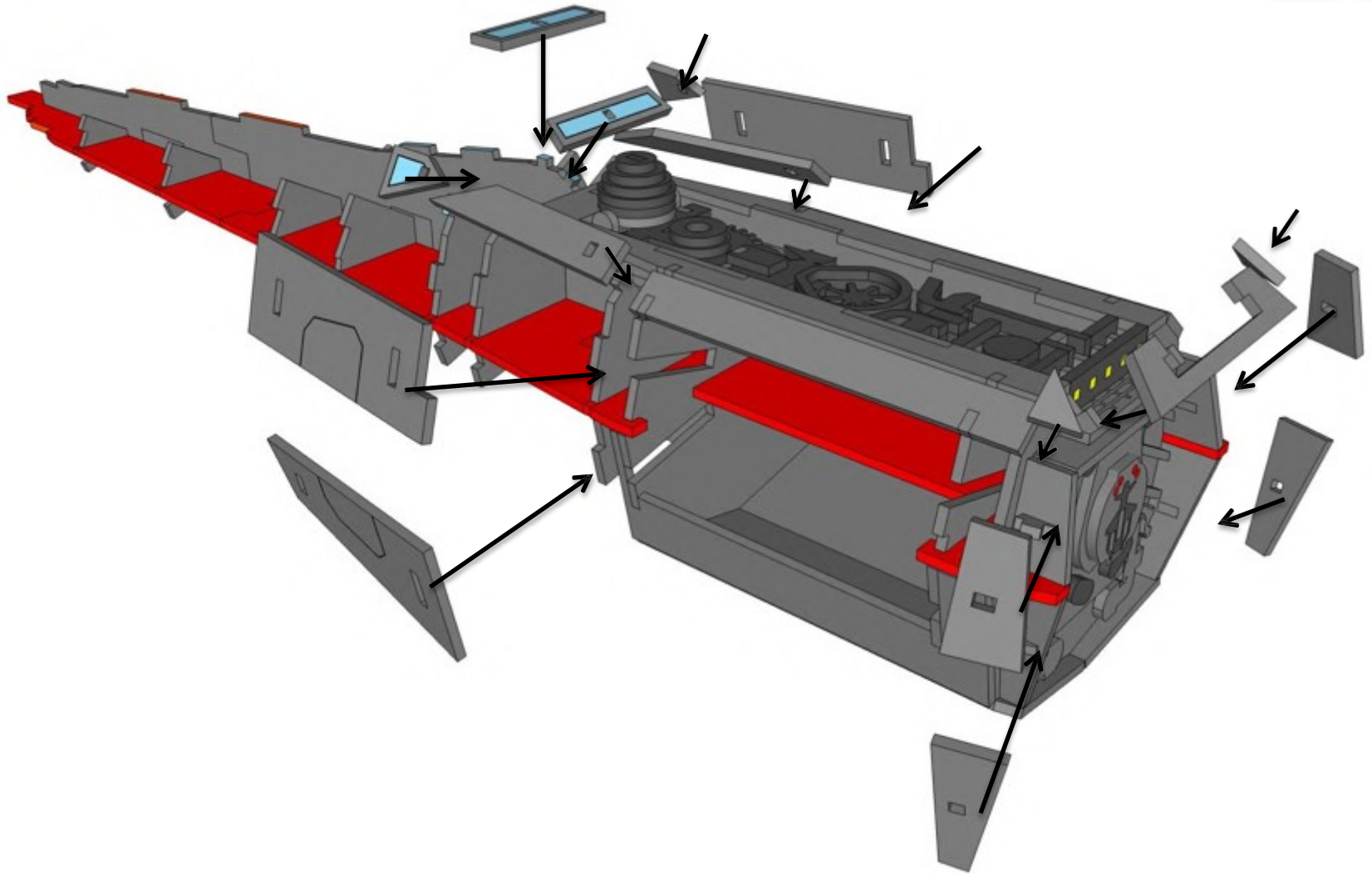


ASSEMBLY STEPS WWW.WOWWE.CO.ZA



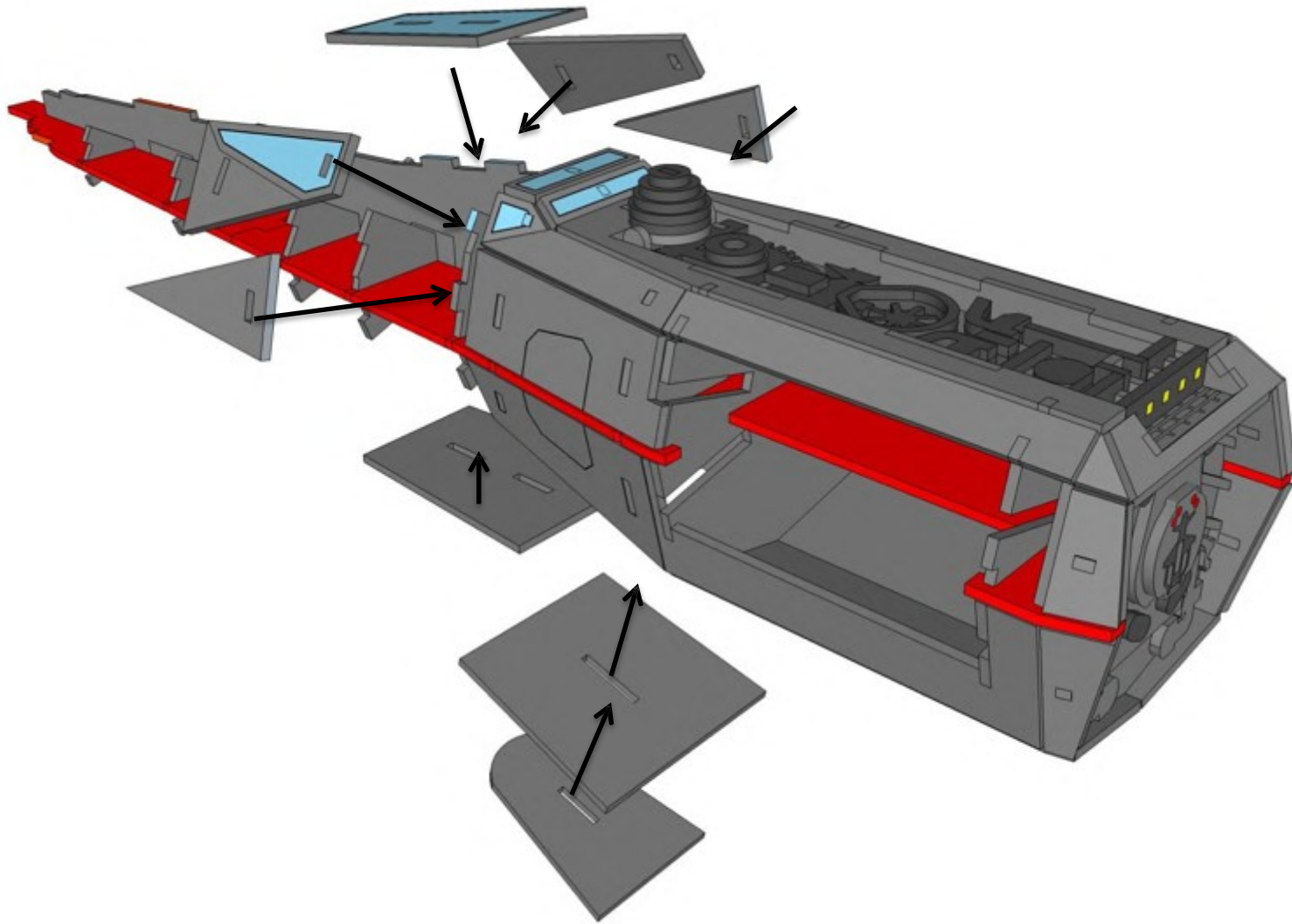
ASSEMBLY STEPS

WWW.WOWWE.CO.ZA



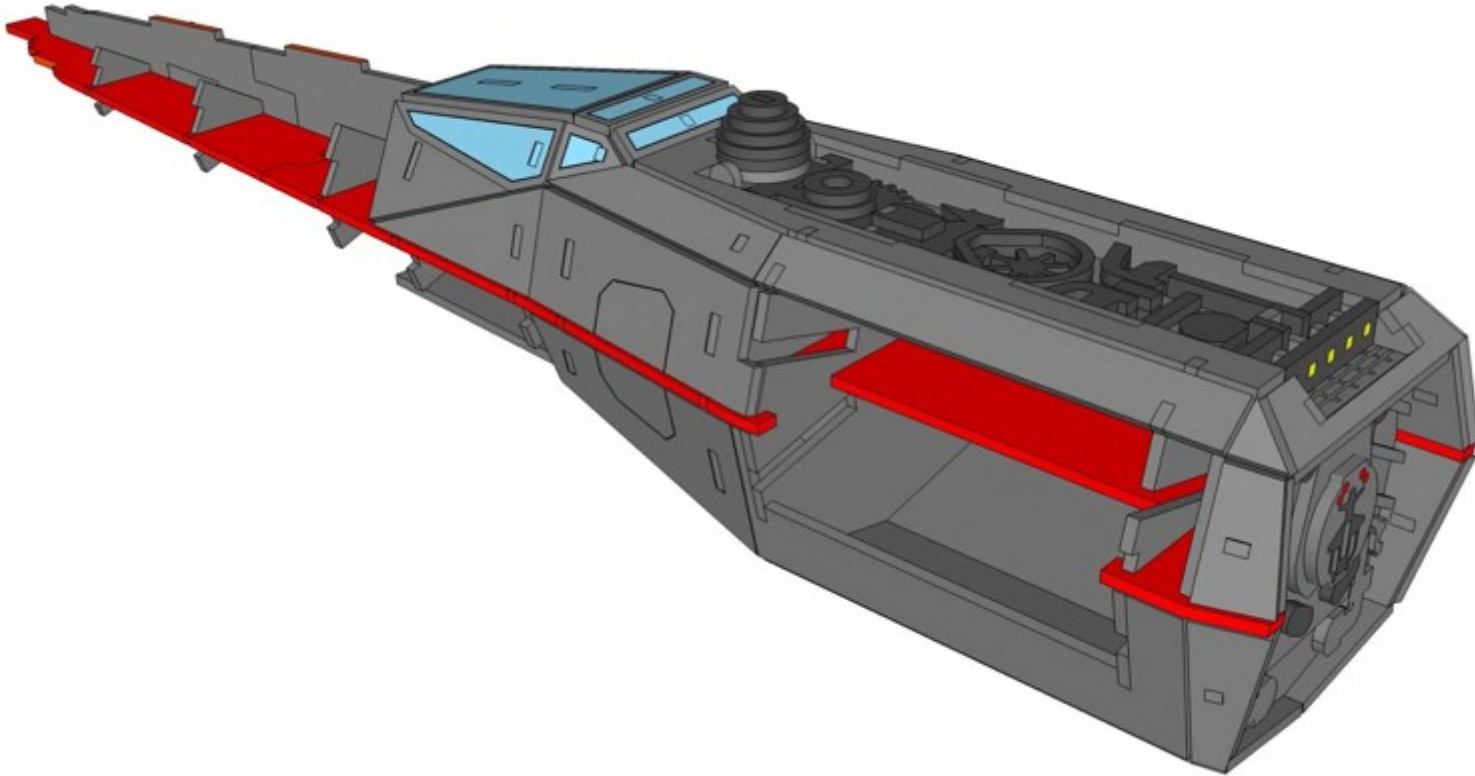
ASSEMBLY STEPS

WWW.WOWWE.CO.ZA



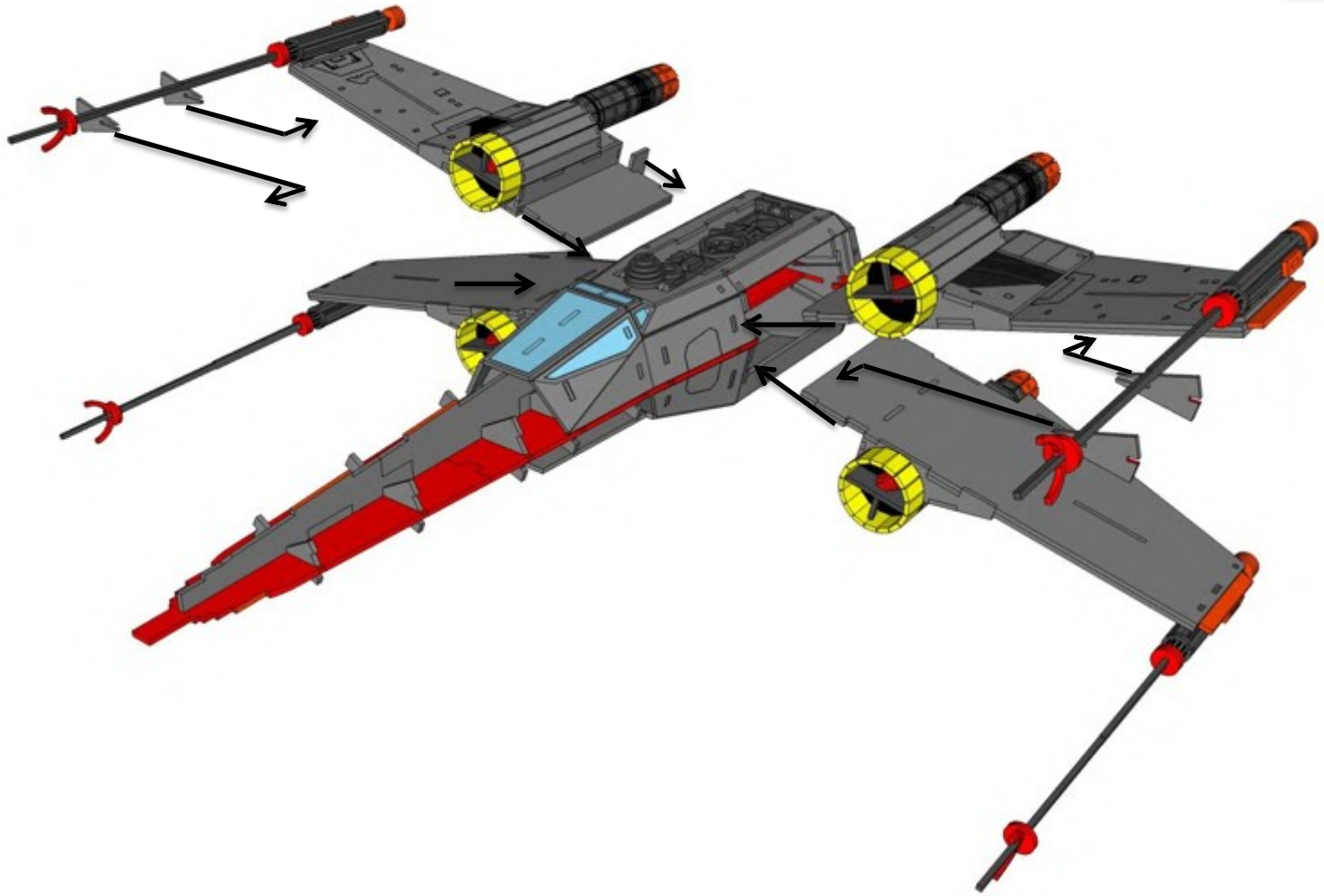
ASSEMBLY STEPS

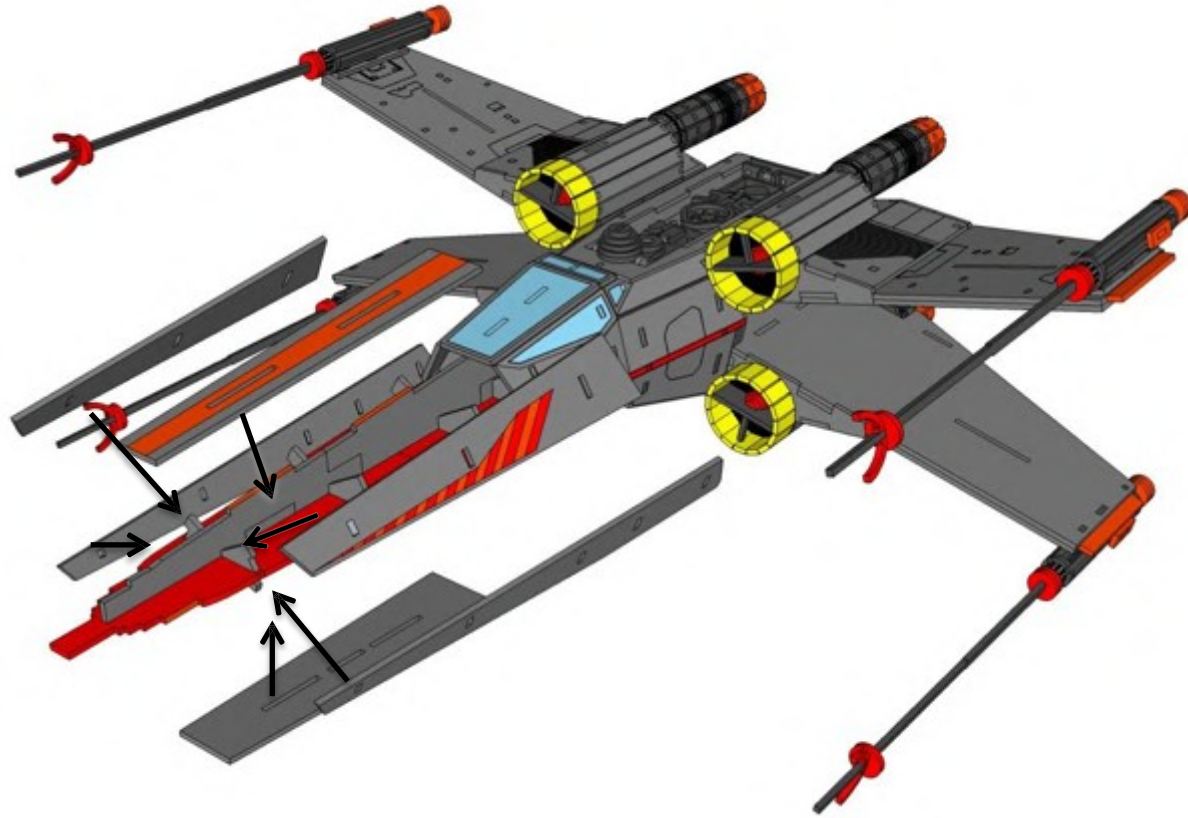
WWW.WOWWE.CO.ZA



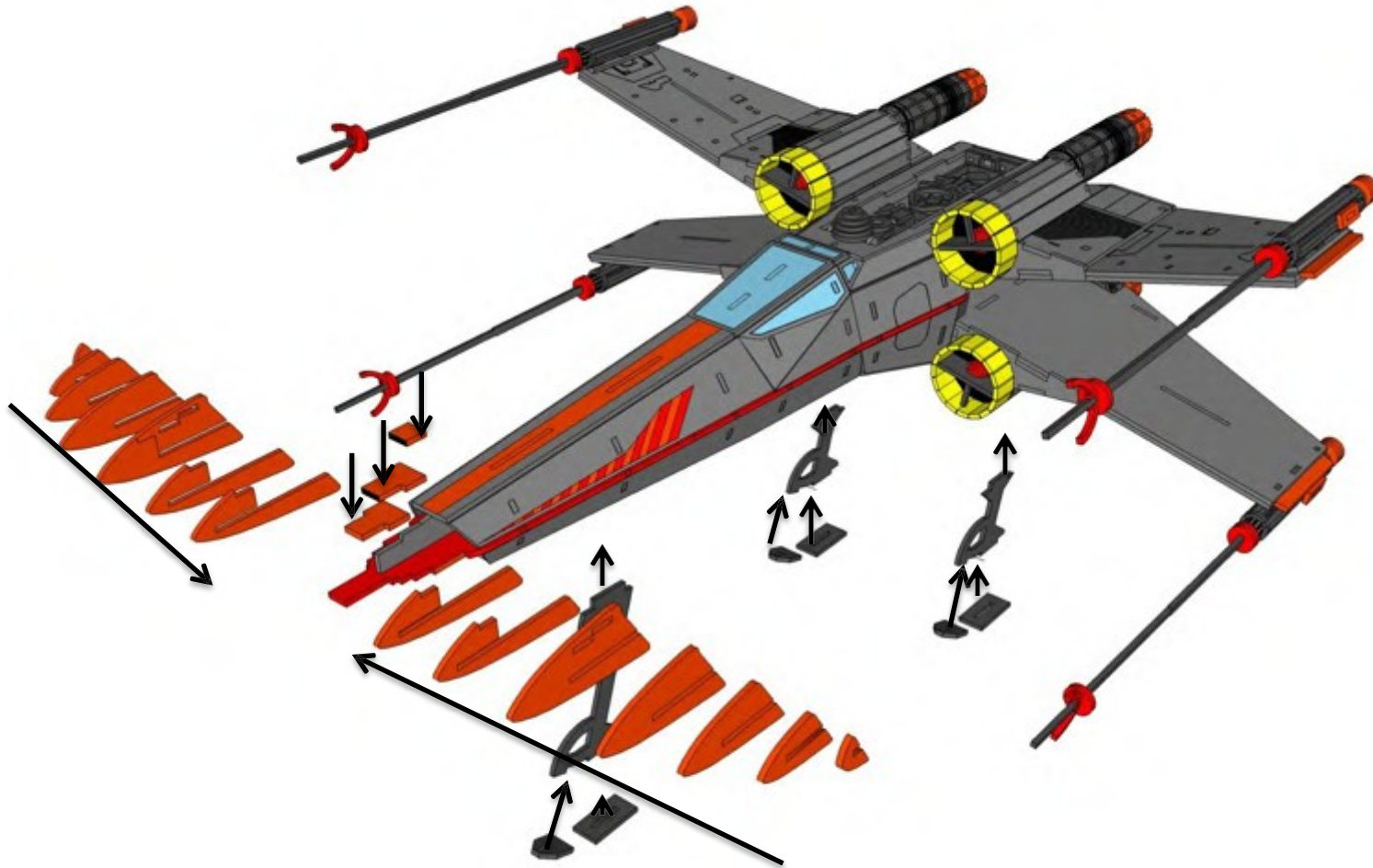
ASSEMBLY STEPS

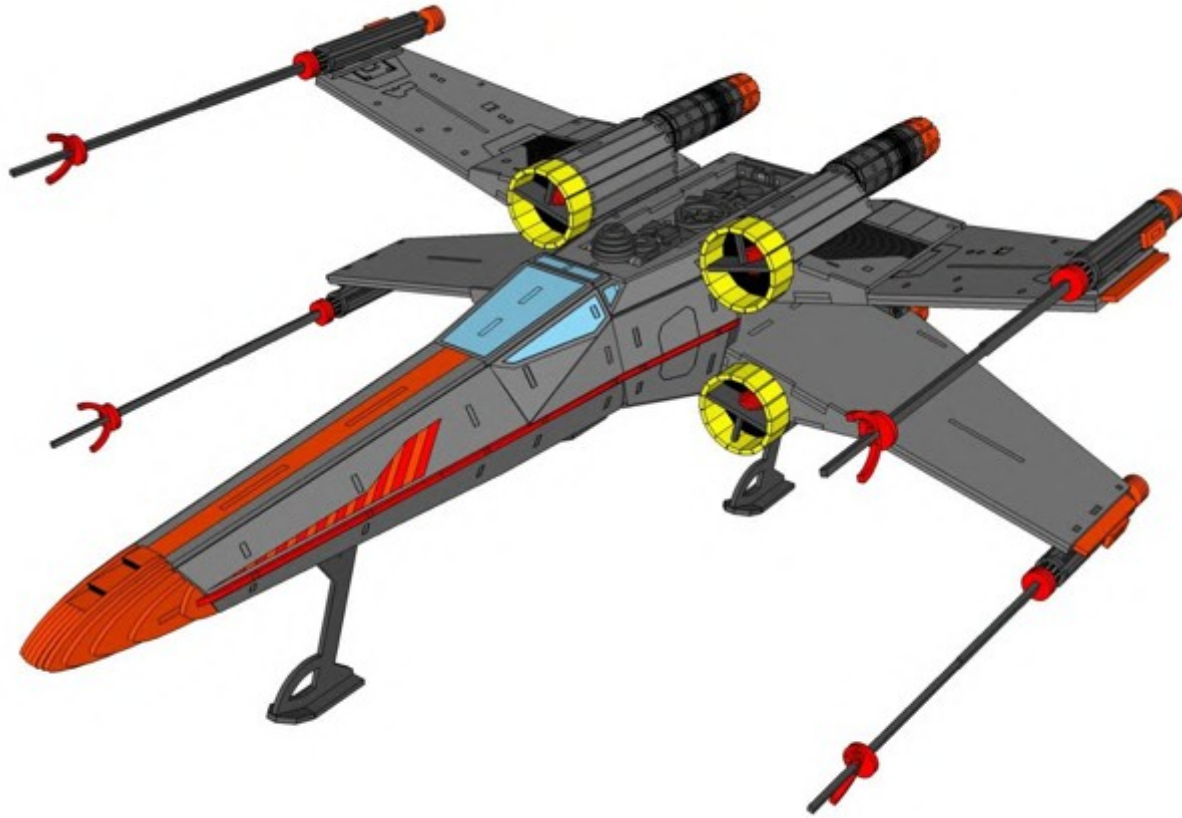
WWW.WOWWE.CO.ZA





ASSEMBLY STEPS





COMPLETE

WWW.WOWWE.CO.ZA



COMPLETE

WWW.WOWWE.CO.ZA