

CAUTION! • CAUTION! • CAUTION! • CAUTION! • CAUTION!

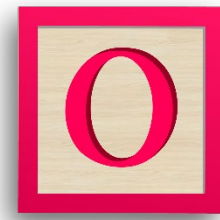
WHOA!!! CAUTION NOT SO FAST

This product is made out of MDF / Supawood and is fragile of nature.

We recommend all pieces to be test fitted and if required contact pieces to be filled / sanded down for a better fit.

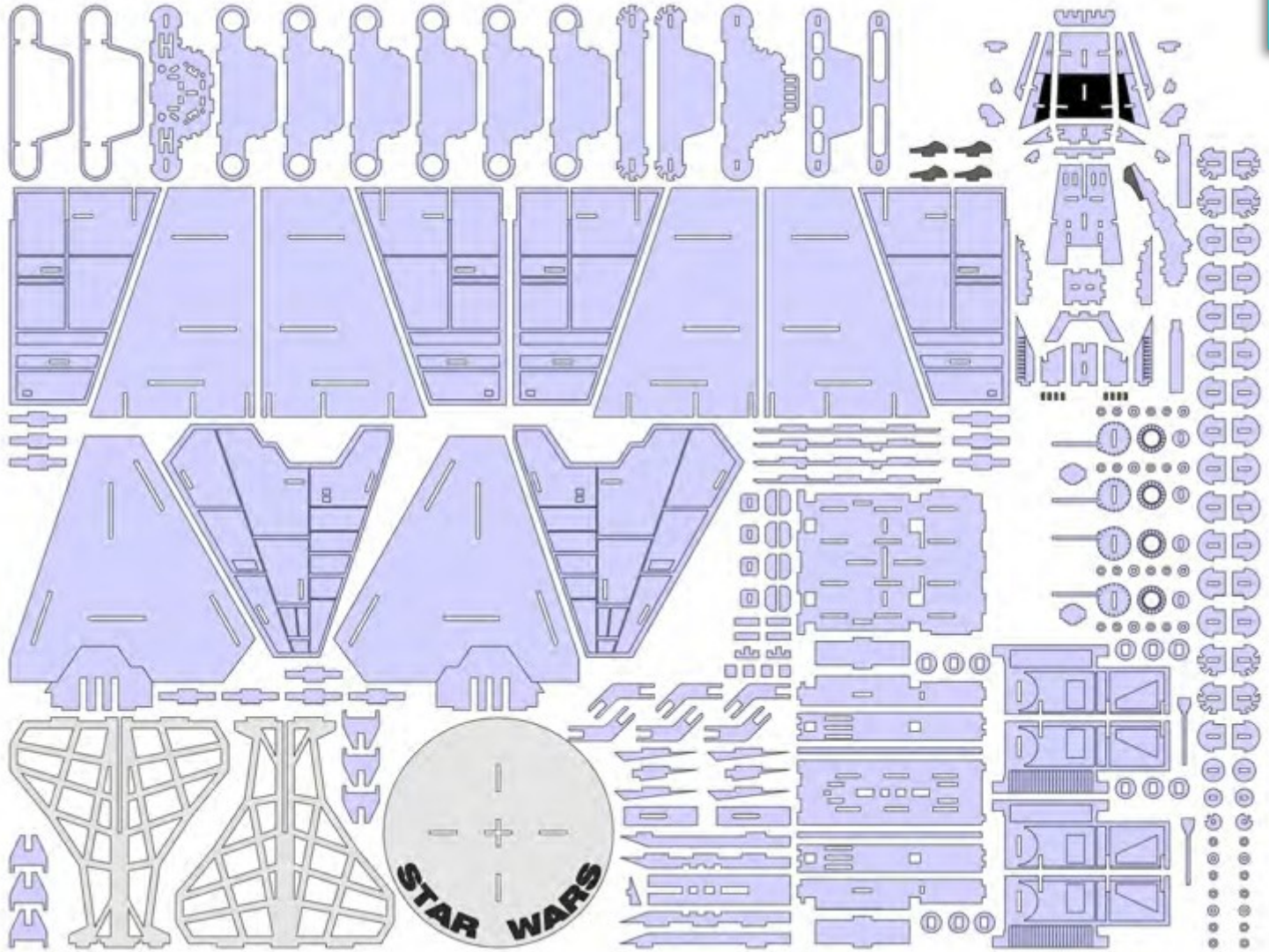
**PLEASE DO NOT FORCE FIT ANY PIECES AS IT
WILL BREAK!**

ENJOY BUILDING YOUR NEW MODEL.



SHUTTLE - STAR WARS

WWW.WOWWE.CO.ZA

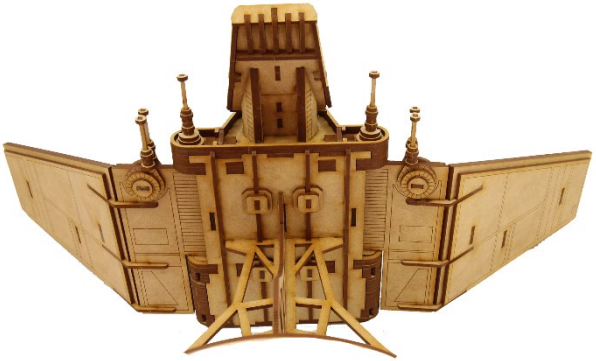
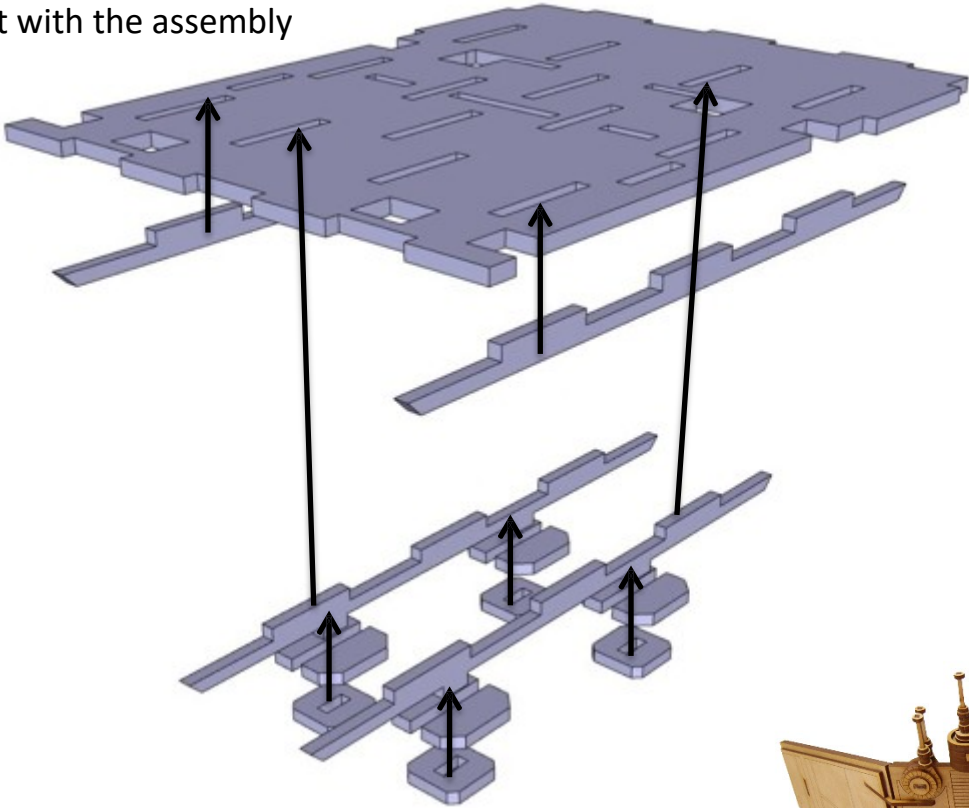


PARTS LIST

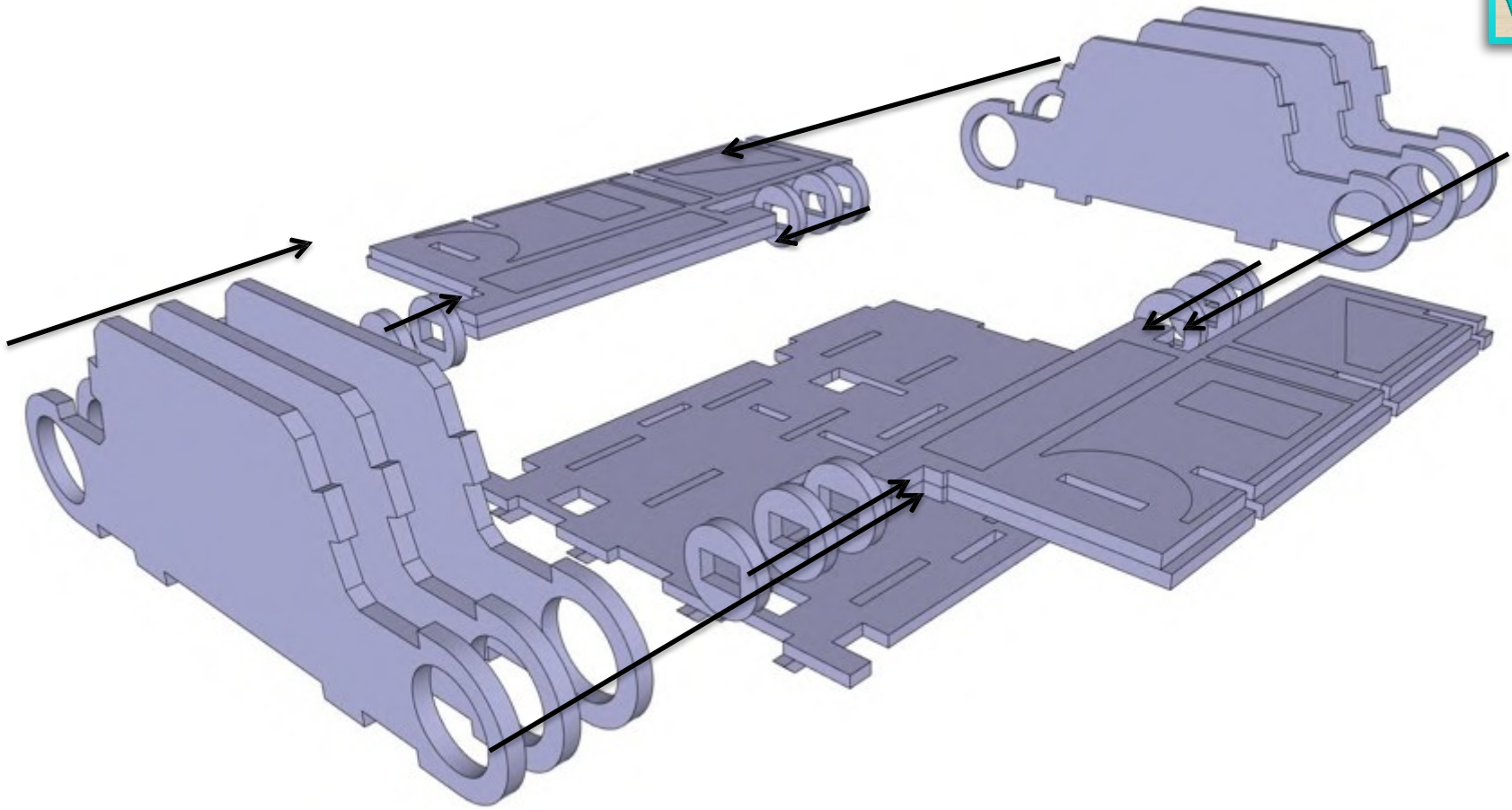
IT IS RECOMMENDED TO GO THROUGH ALL THE PAGES
AND SEE EACH STEP BEFORE STARTING THE ASSEMBLY



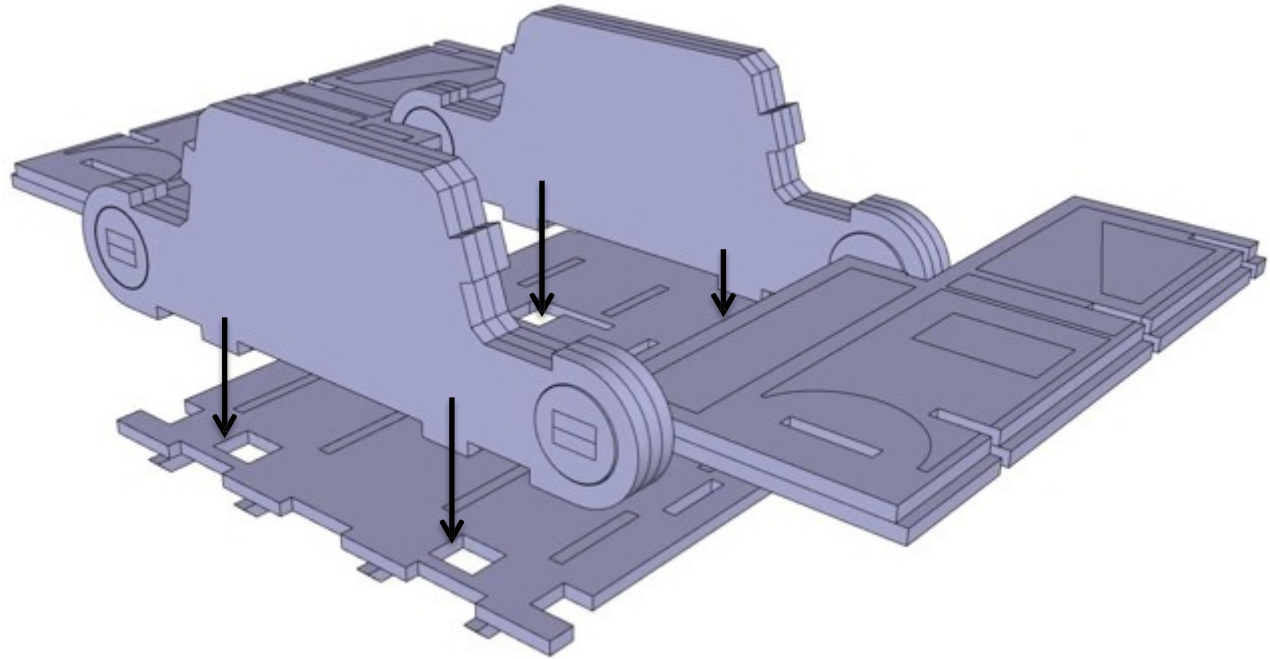
Full quality pictures available at
www.wowwe.co.za to assist with the assembly



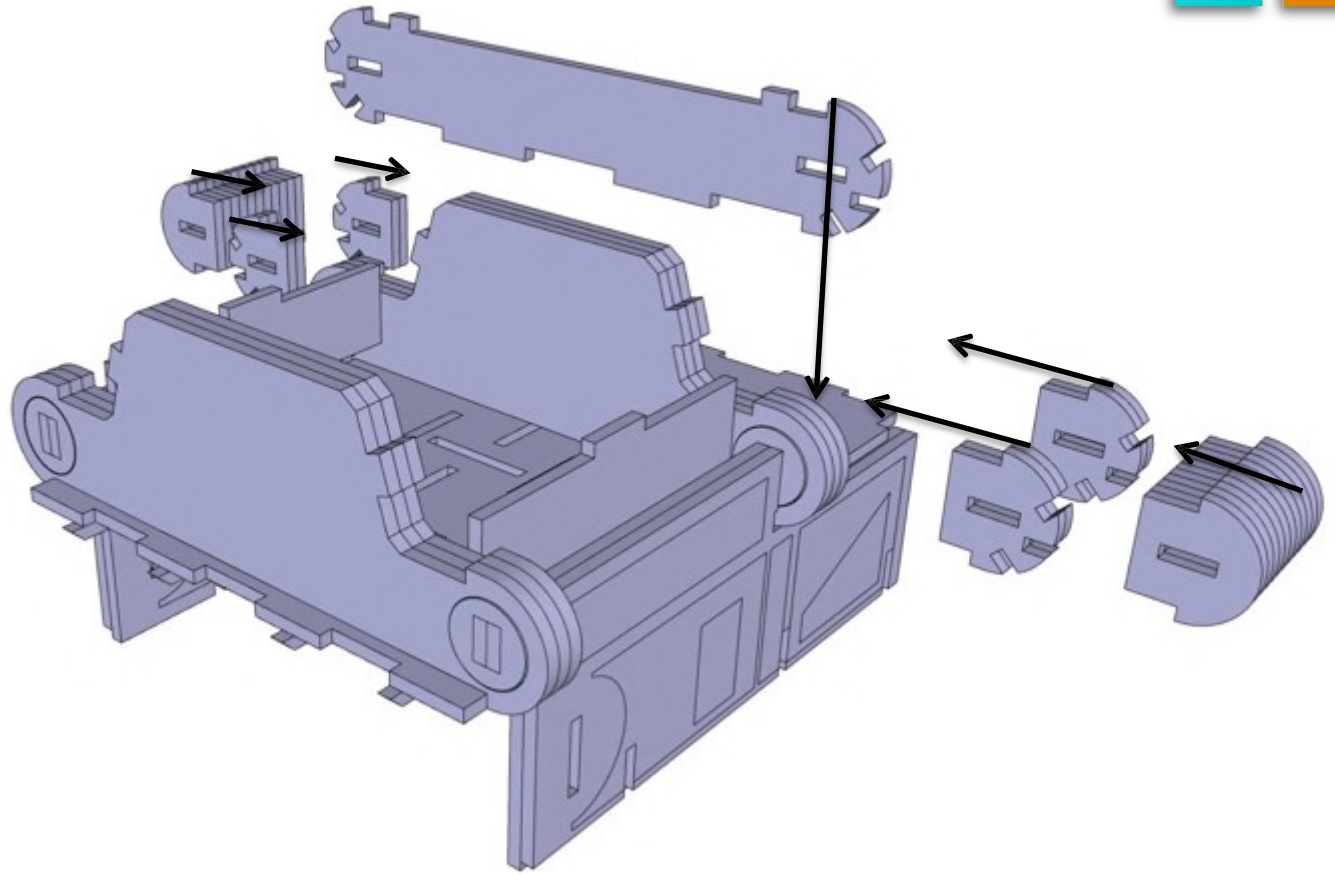
ASSEMBLY STEPS



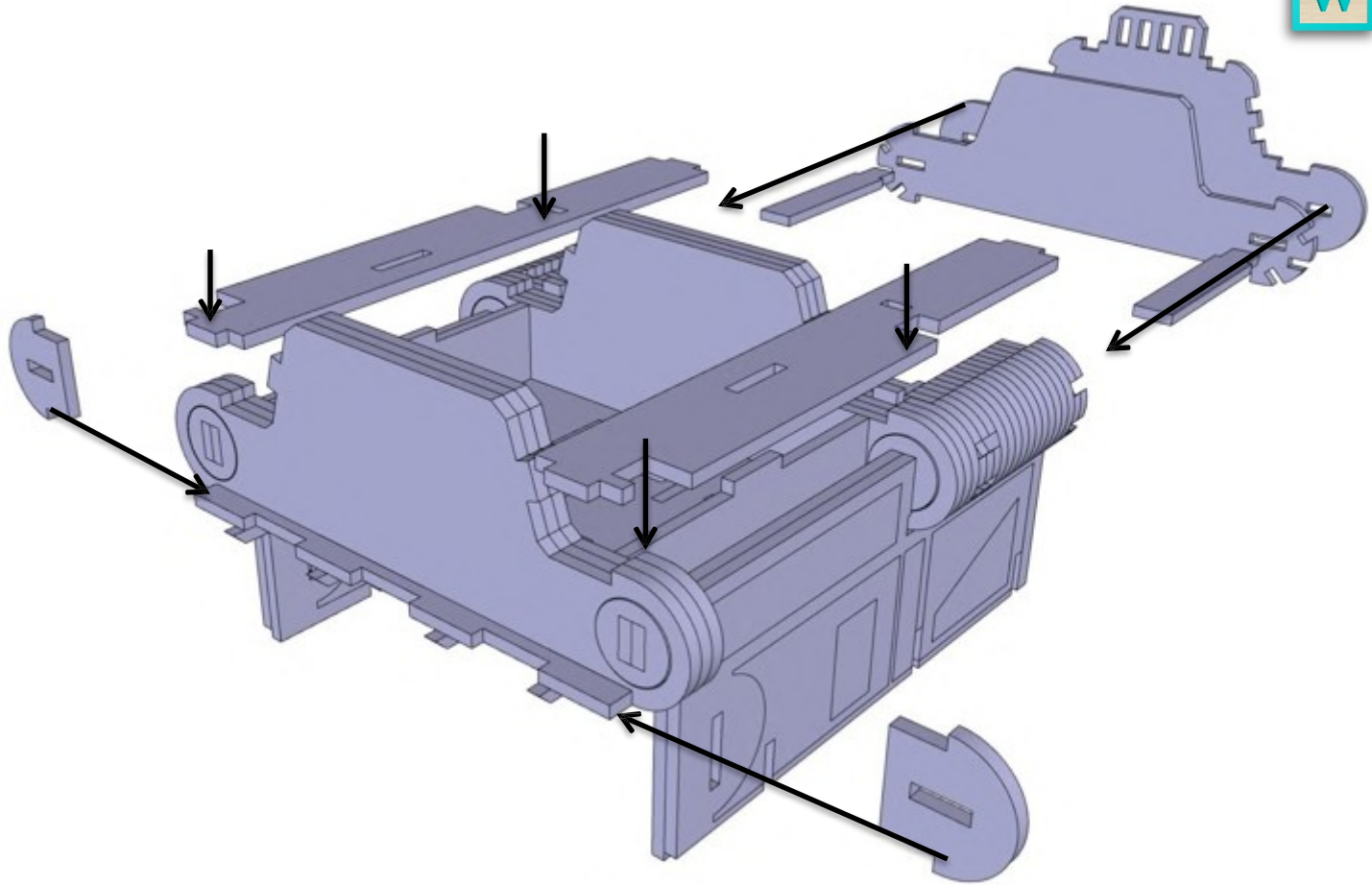
ASSEMBLY STEPS



ASSEMBLY STEPS

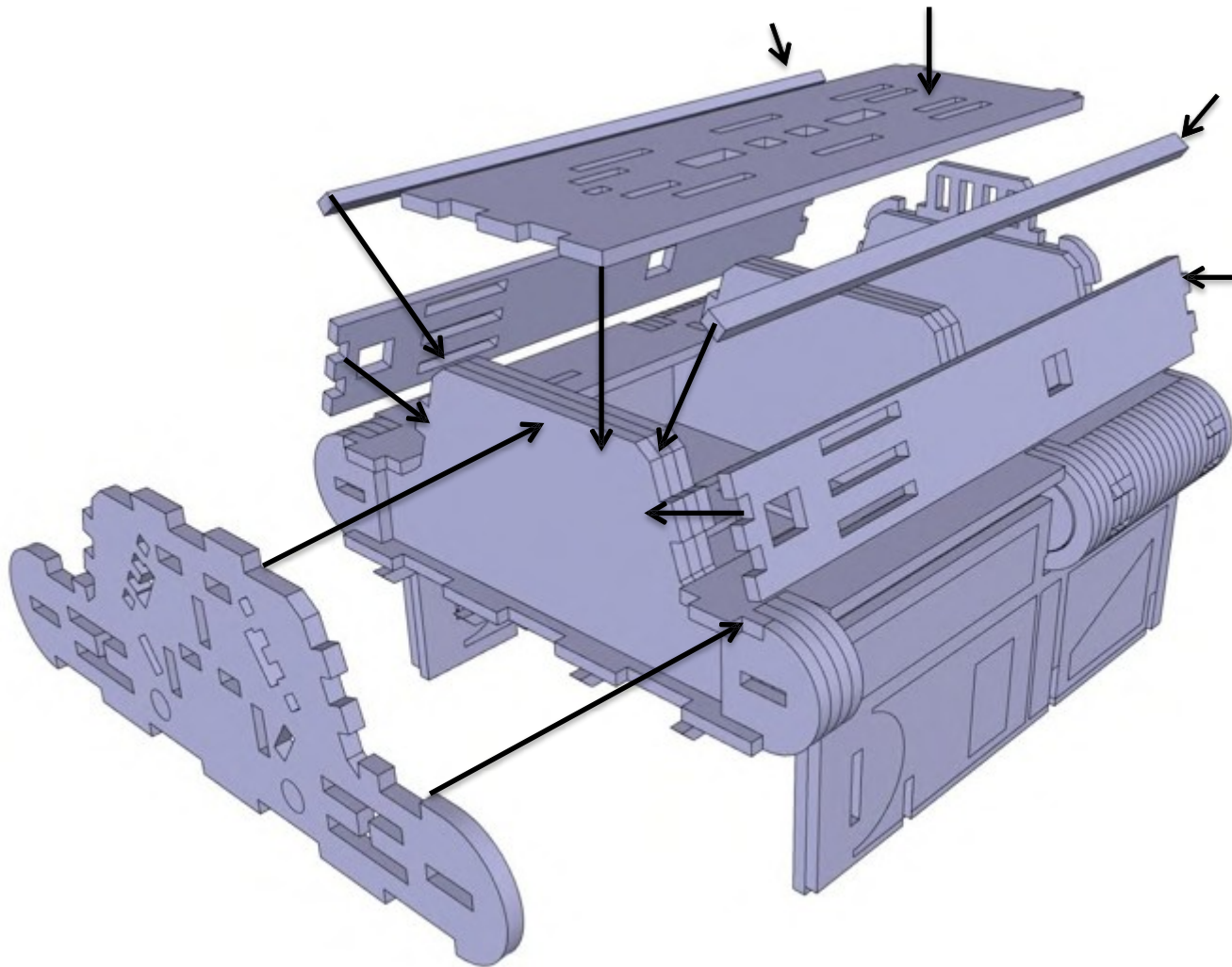


ASSEMBLY STEPS

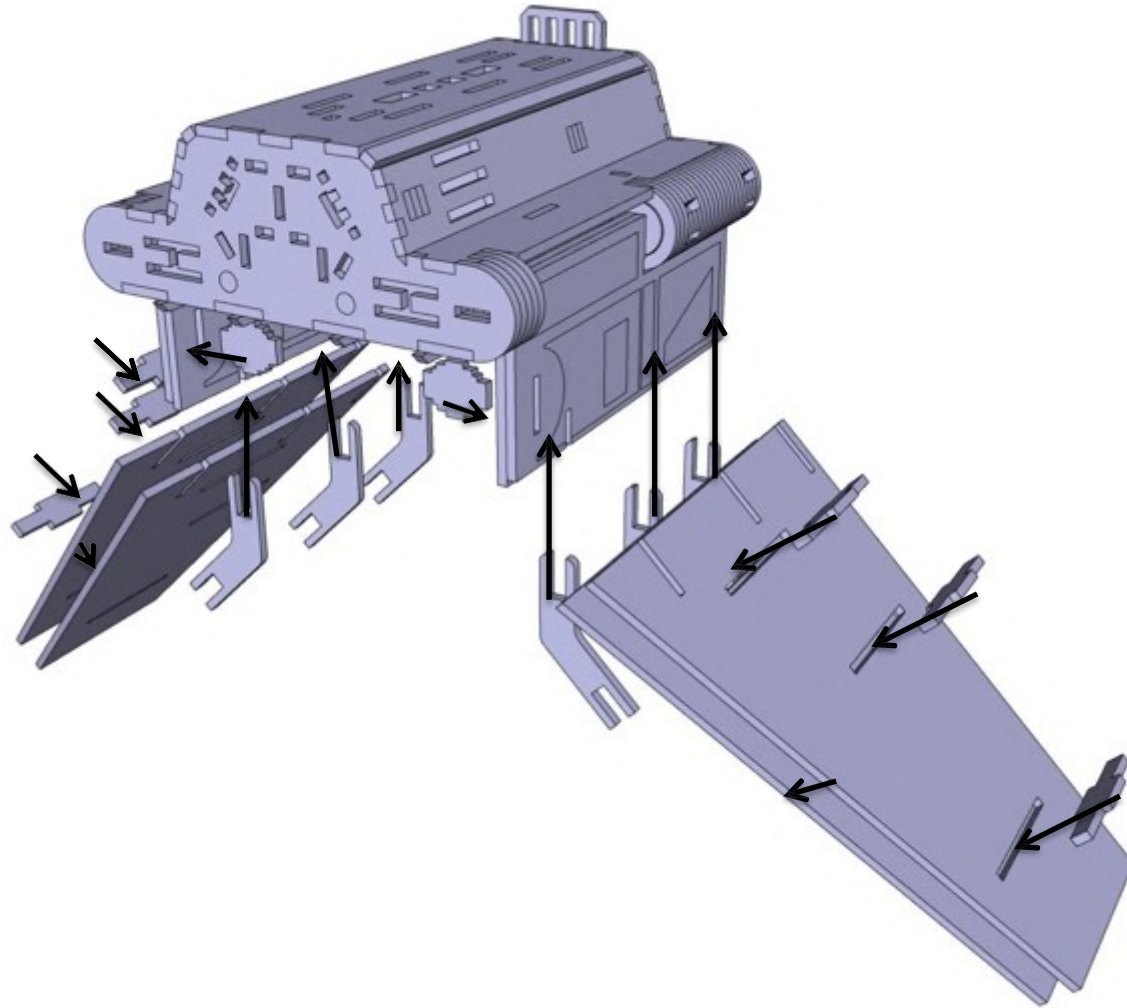


ASSEMBLY STEPS

WWW.WOWWE.CO.ZA

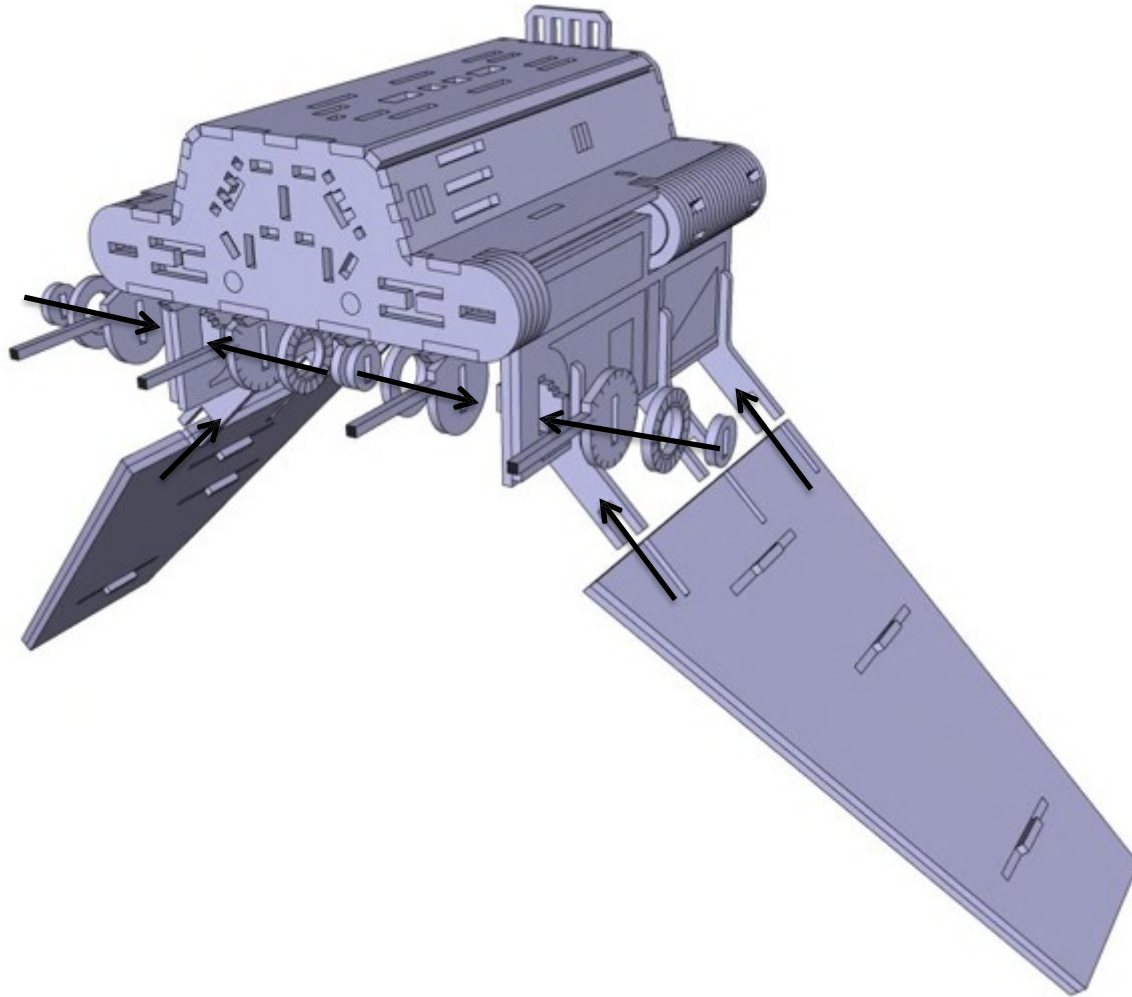


ASSEMBLY STEPS

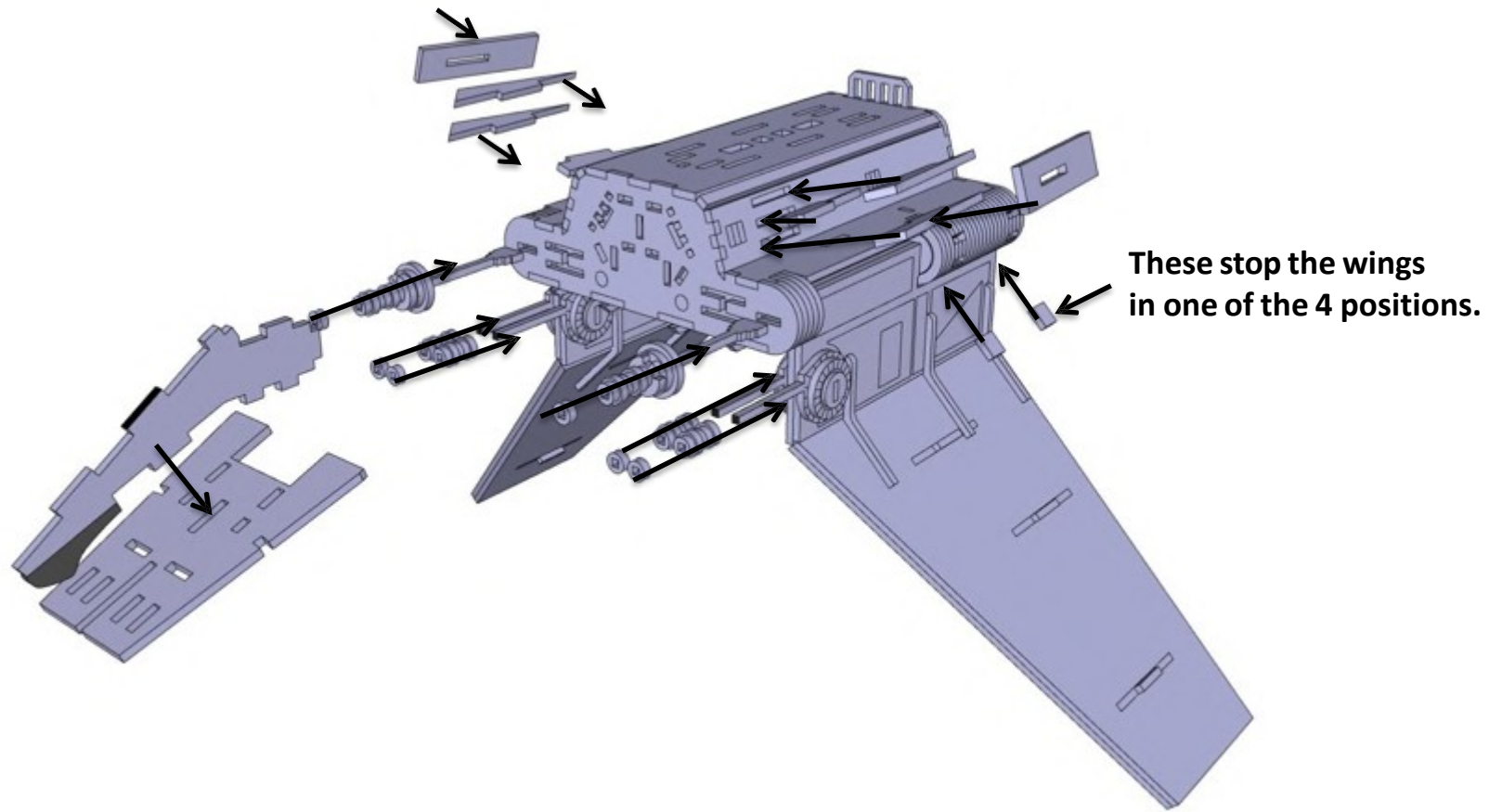


ASSEMBLY STEPS

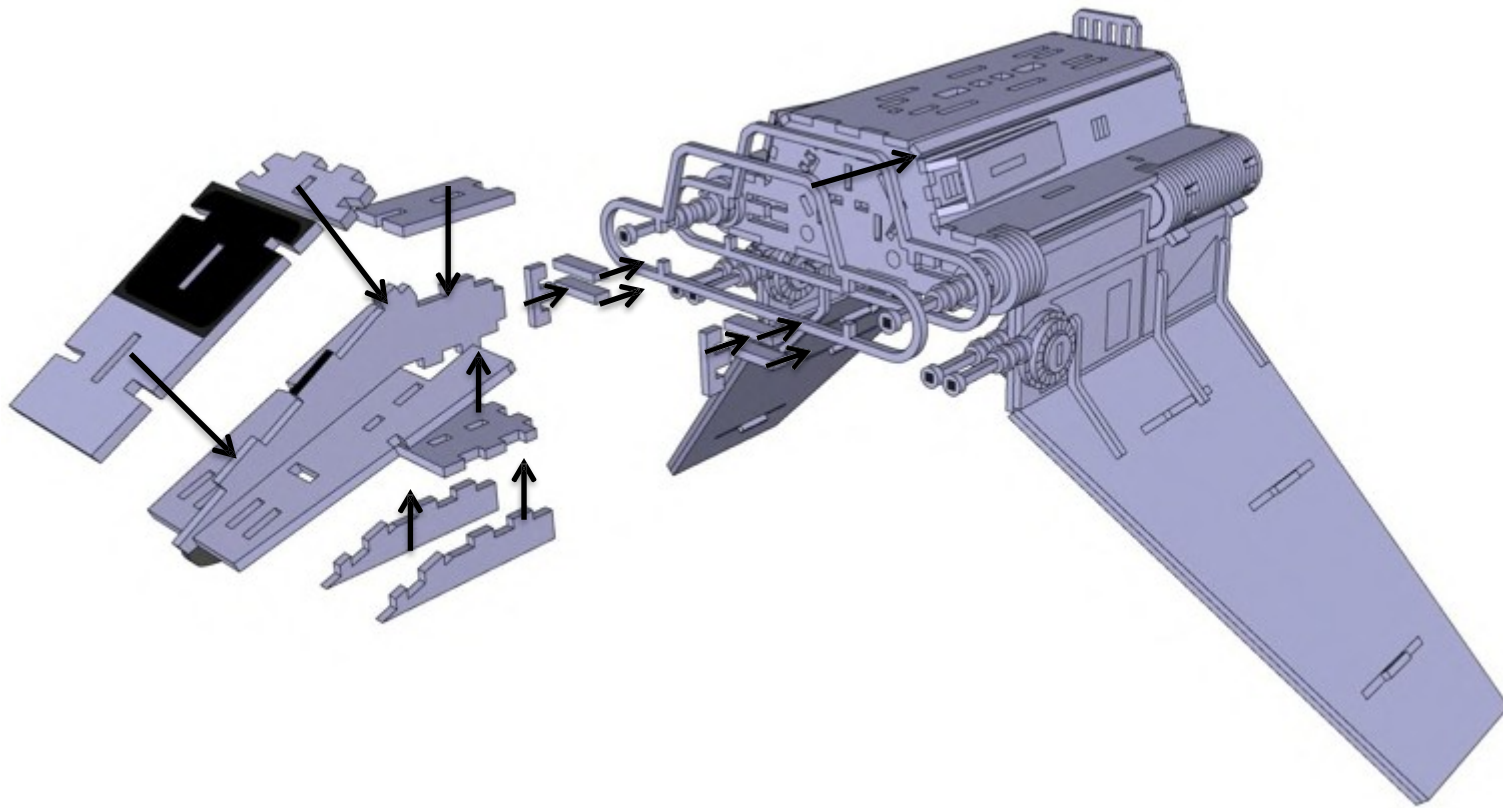
WWW.WOWWE.CO.ZA



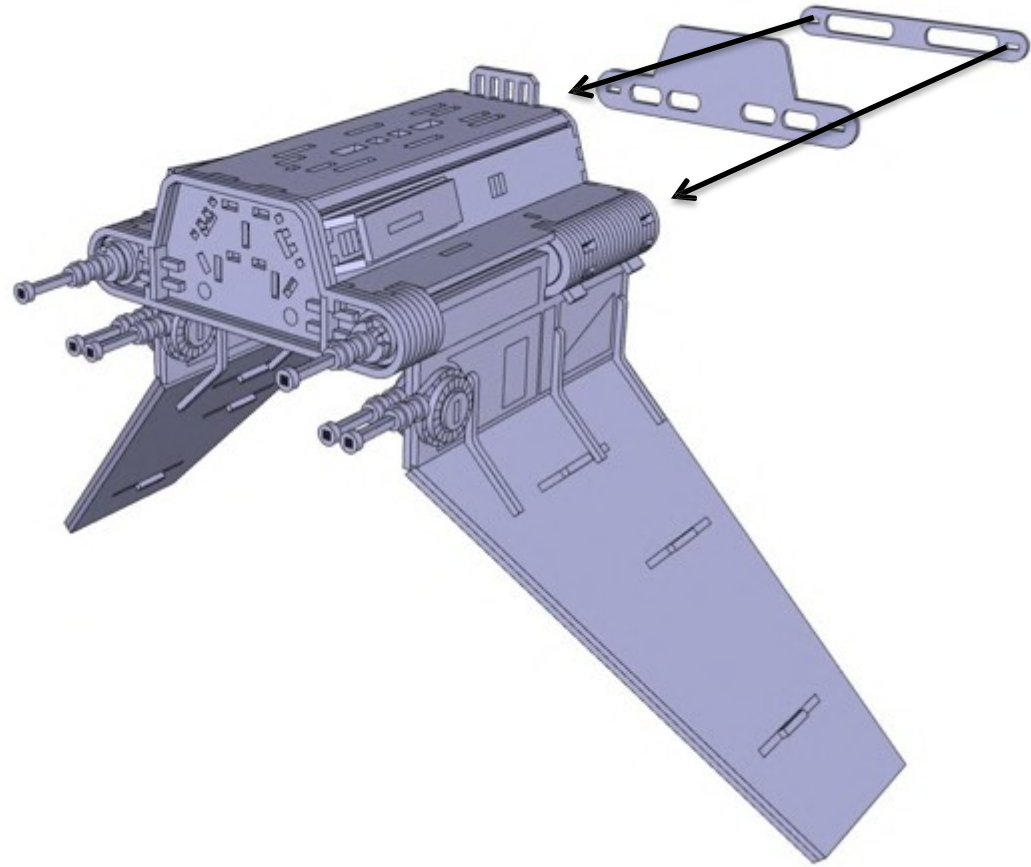
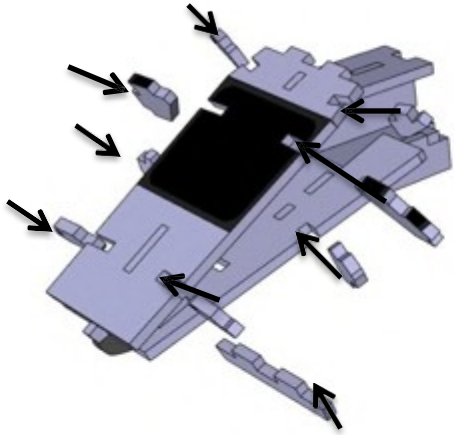
ASSEMBLY STEPS



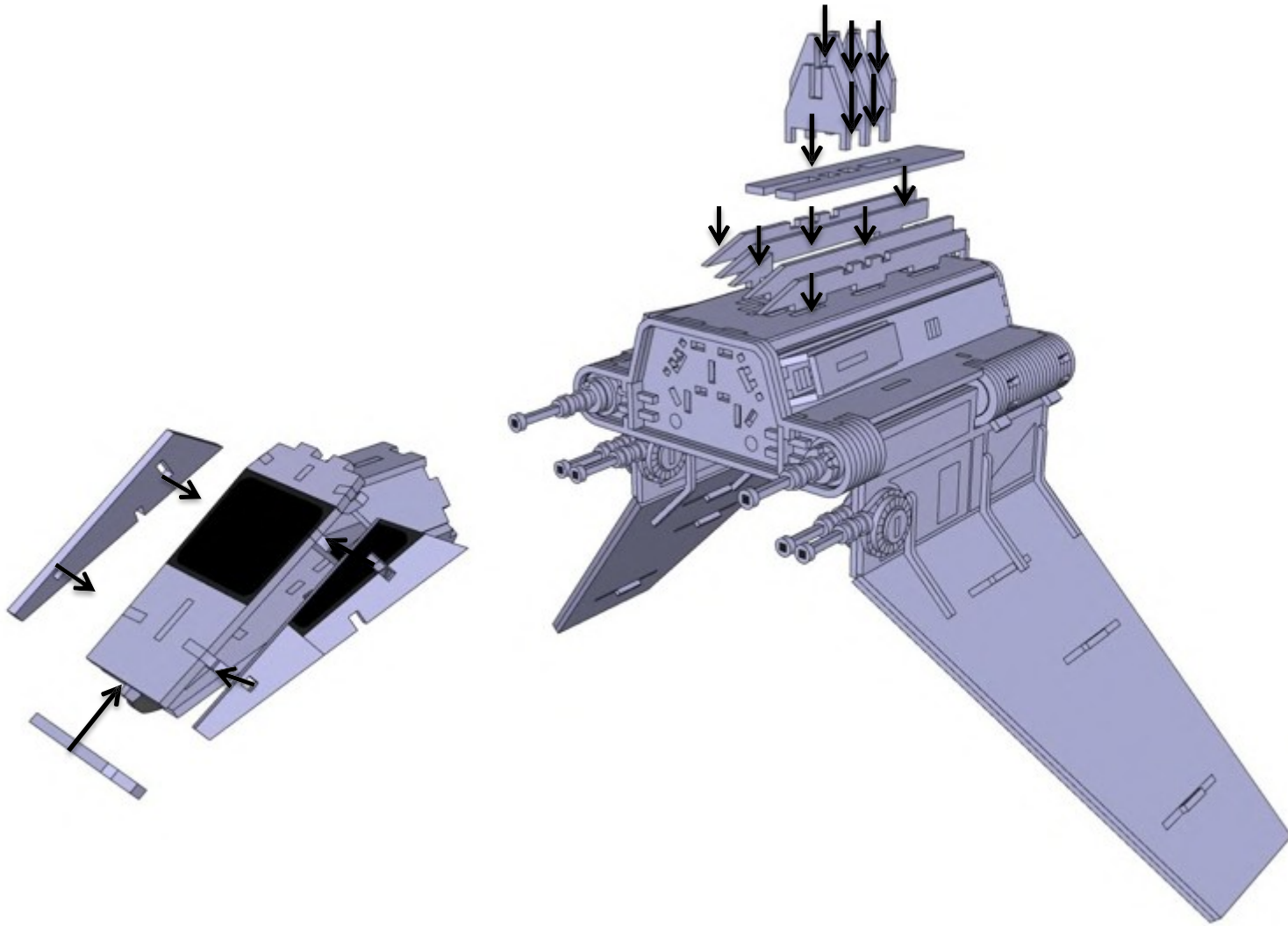
ASSEMBLY STEPS



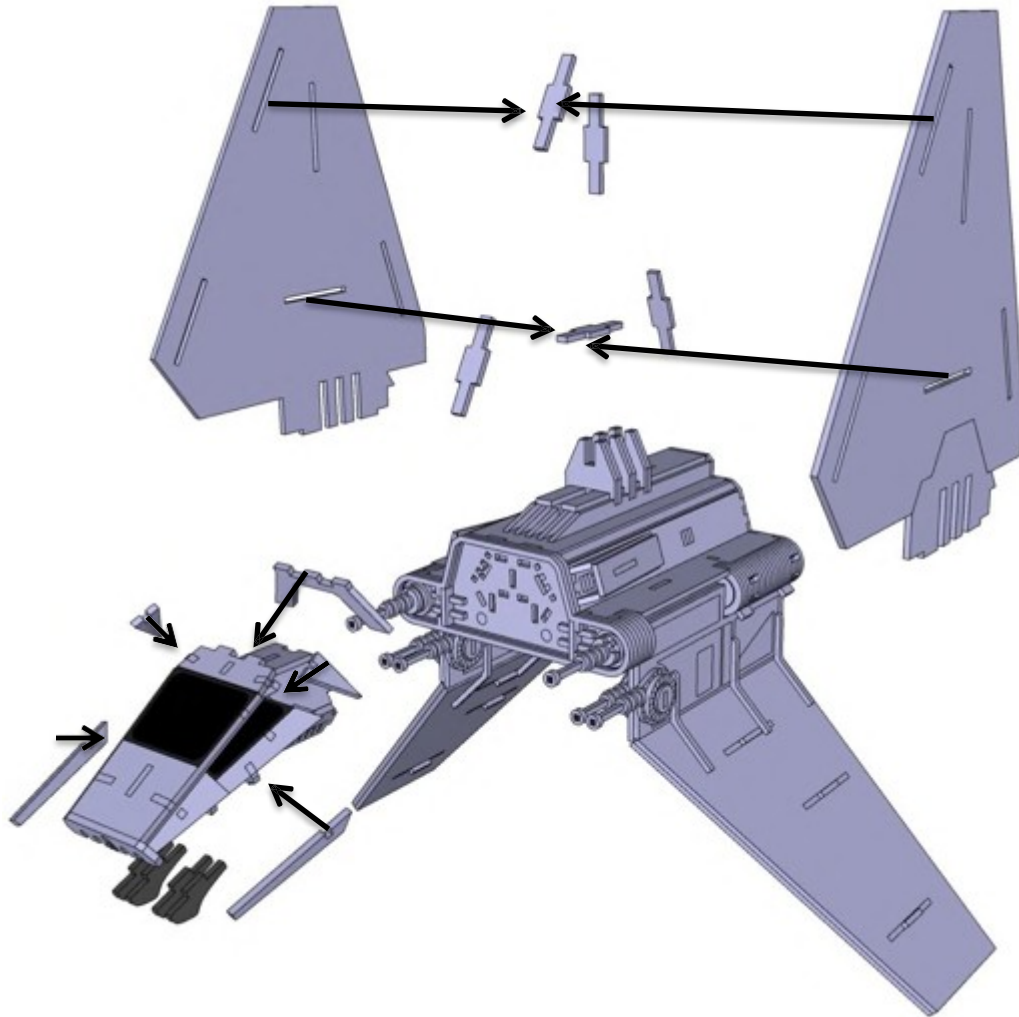
ASSEMBLY STEPS



ASSEMBLY STEPS

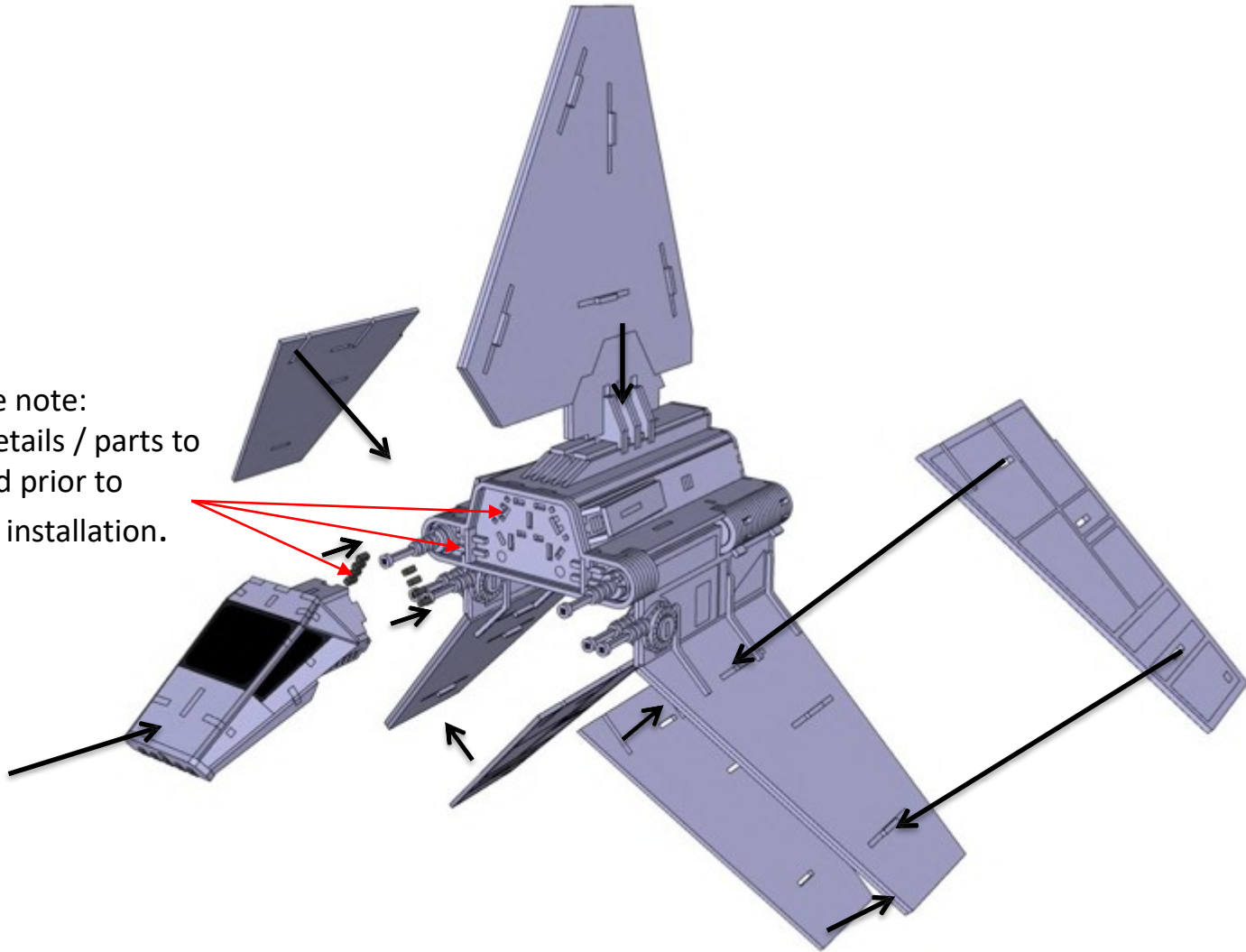


ASSEMBLY STEPS

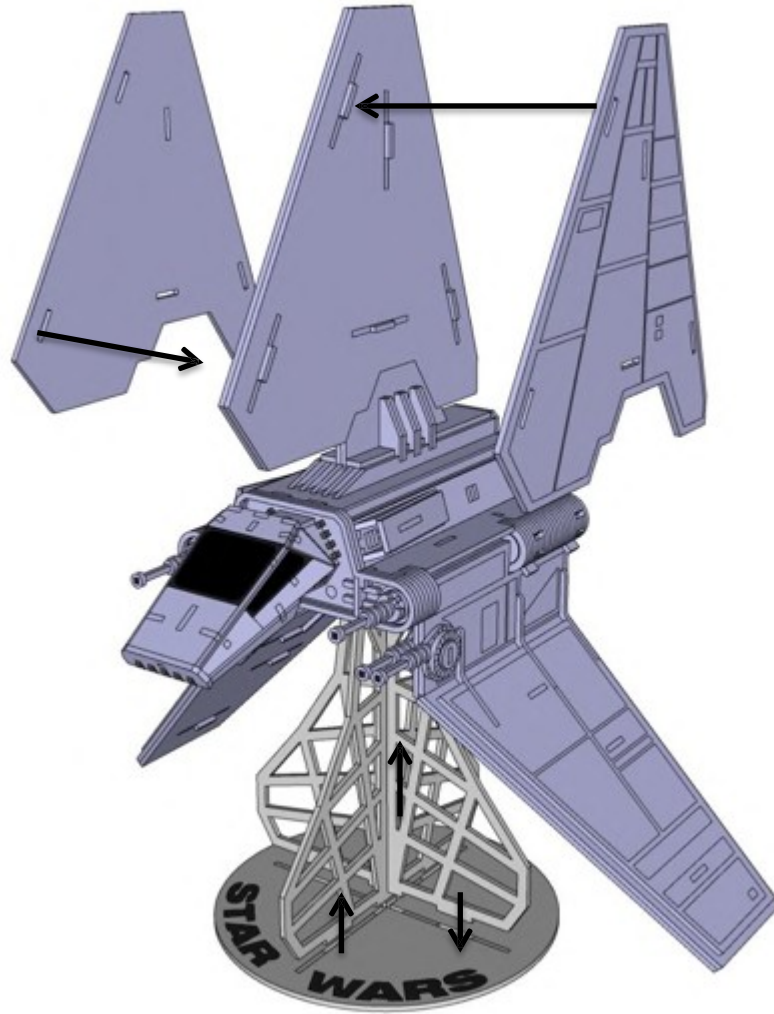


ASSEMBLY STEPS

Please take note:
All small details / parts to
Be Installed prior to
Nose / cab installation.

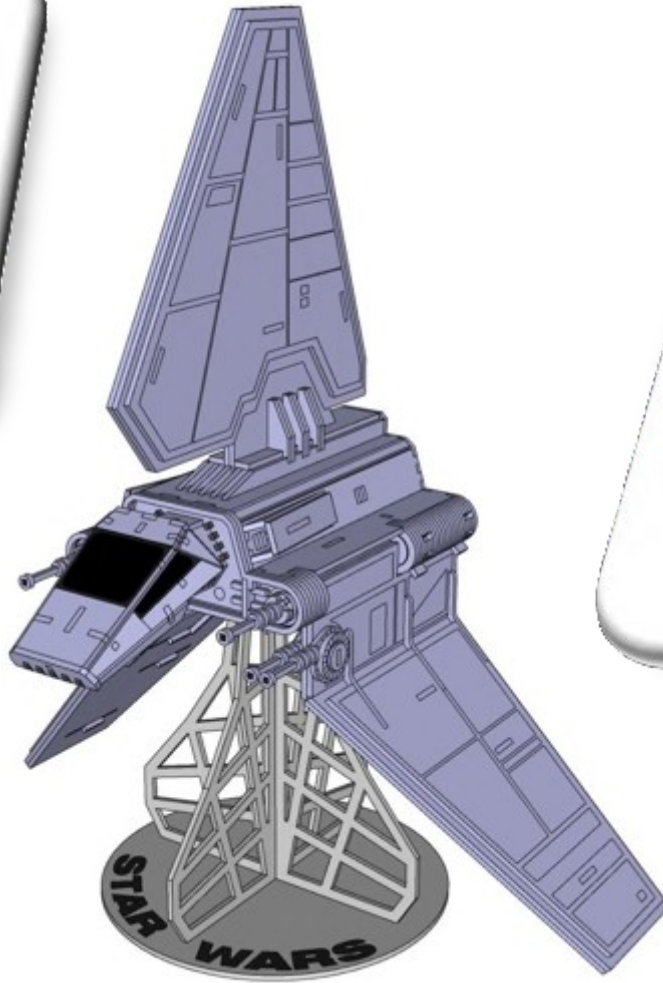


ASSEMBLY STEPS



ASSEMBLY STEPS

Wing position:



COMPLETE



COMPLETE

WWW.WOWWE.CO.ZA