



**MINI COOPER**

[WWW.WOWWE.CO.ZA](http://WWW.WOWWE.CO.ZA)

**AUTION! • CAUTION! • CAUTION! • CAUTION! • CAUTION!**

# **WHOA!!! CAUTION NOT SO FAST**

This product is made out of MDF / Supawood and is fragile of nature.

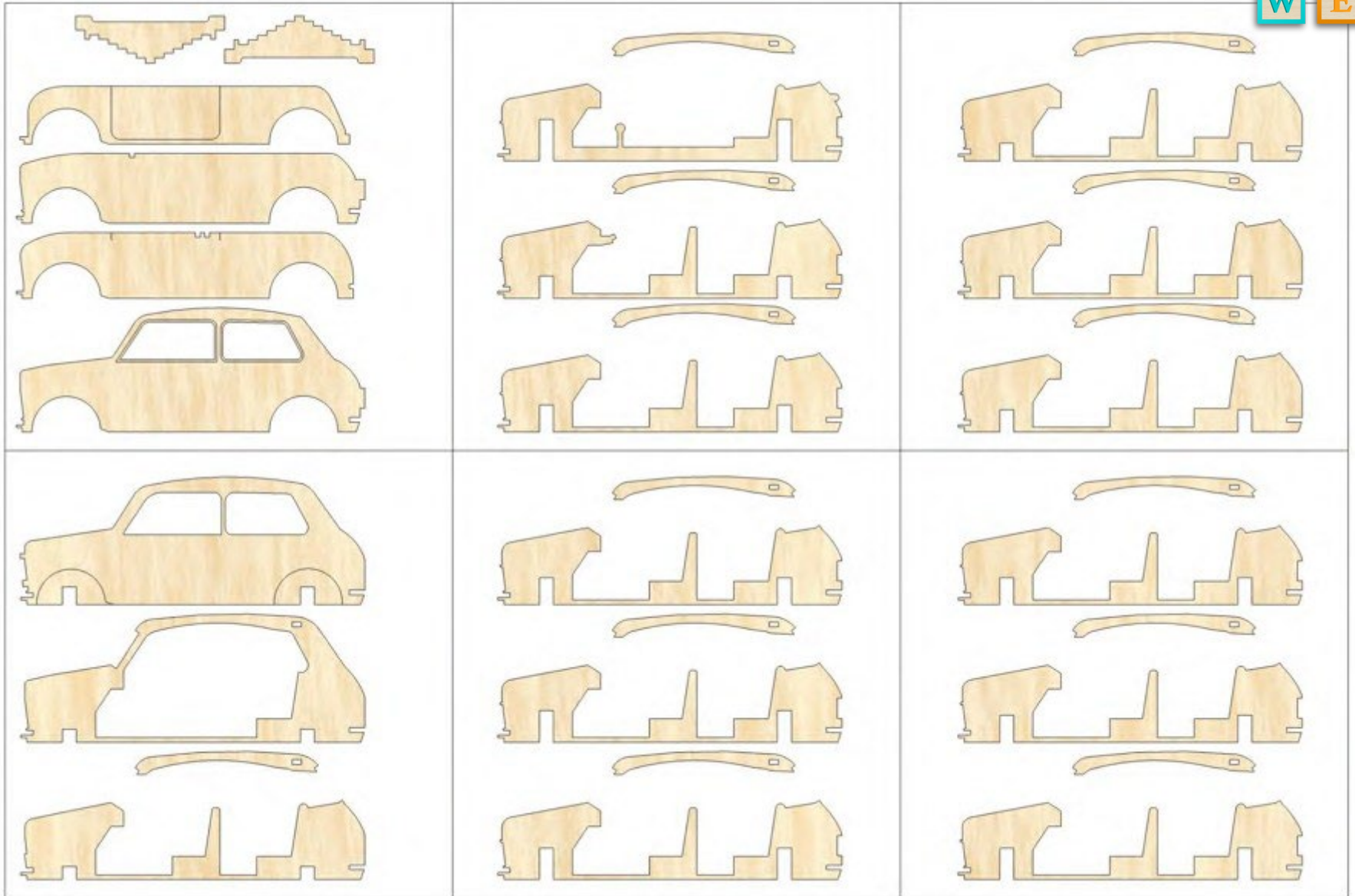
We recommend all pieces to be test fitted and if required contact pieces to be filled / sanded down for a better fit.

**PLEASE DO NOT FORCE FIT ANY PIECES AS IT  
WILL BREAK!**

ENJOY BUILDING YOUR NEW MODEL.

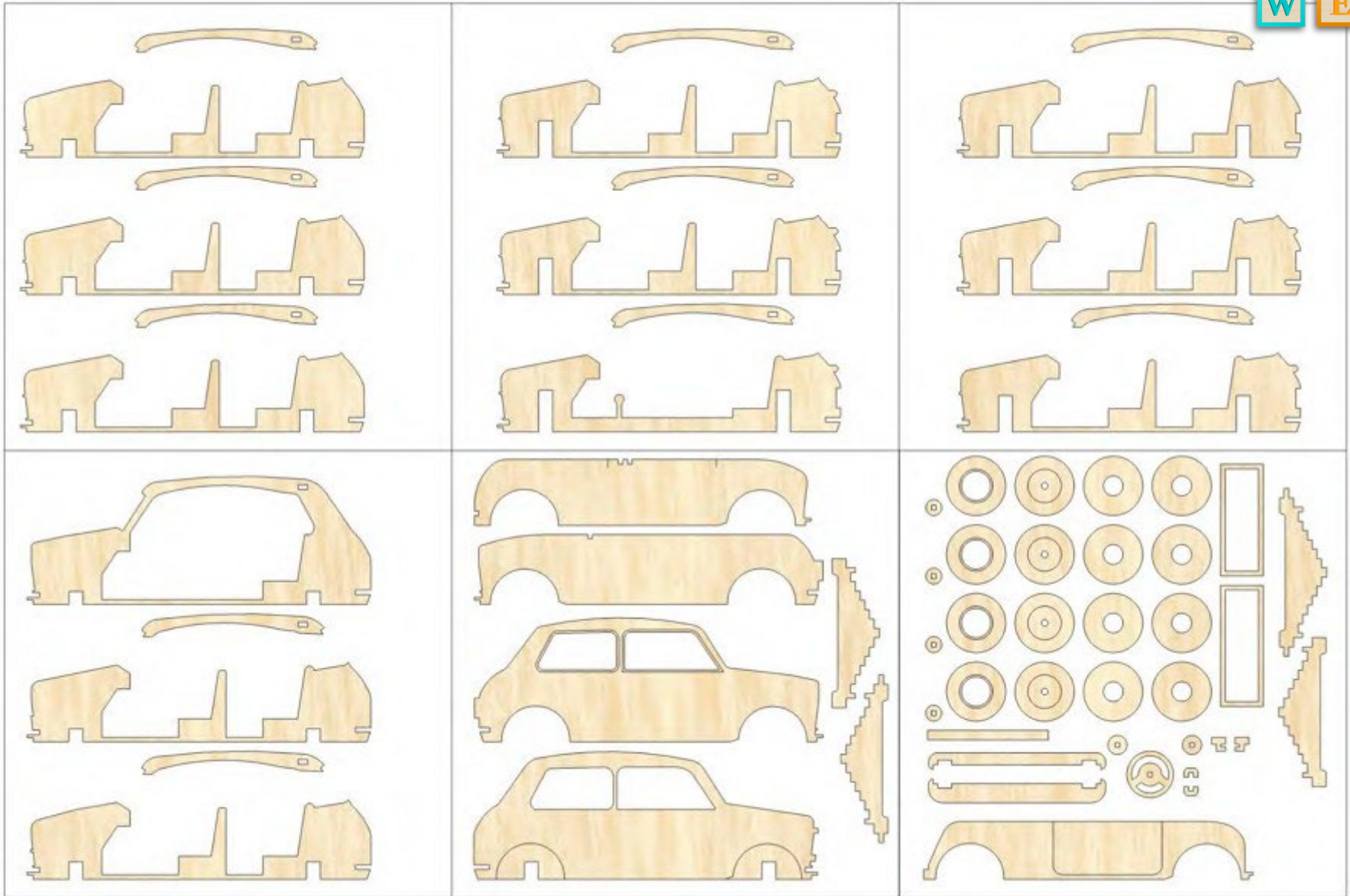
**IT IS RECOMMENDED TO GO THROUGH ALL THE PAGES AND SEE / UNDERSTAND EACH STEP BEFORE  
STARTING THE ASSEMBLY.**

**FULL QUALITY IMAGES AVAILBLE AT [WWW.WOWWE.CO.ZA](http://WWW.WOWWE.CO.ZA), IT WILL ASSIST WITH THE ASSEMBLY,  
THERE IS A DOWNLOADABLE LINK AS WELL OF THIS ASSEMBLY GUIDE.**



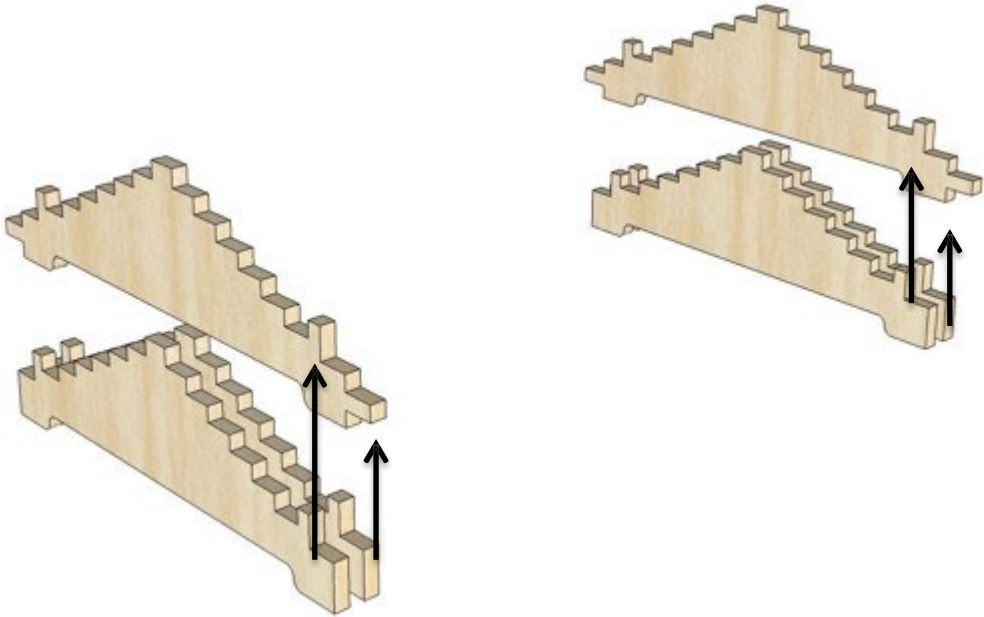
# PARTS LIST





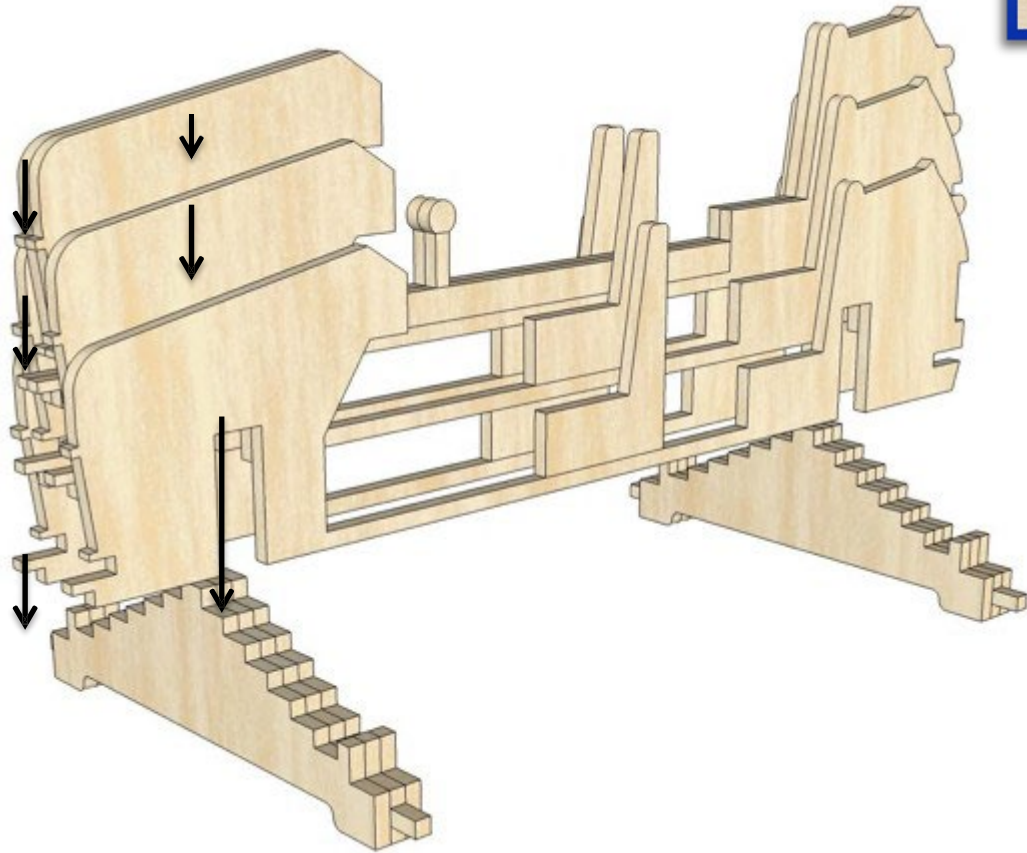
# PARTS LIST

IT IS RECOMMENDED TO GO THROUGH ALL THE PAGES  
AND SEE EACH STEP BEFORE STARTING THE ASSEMBLY

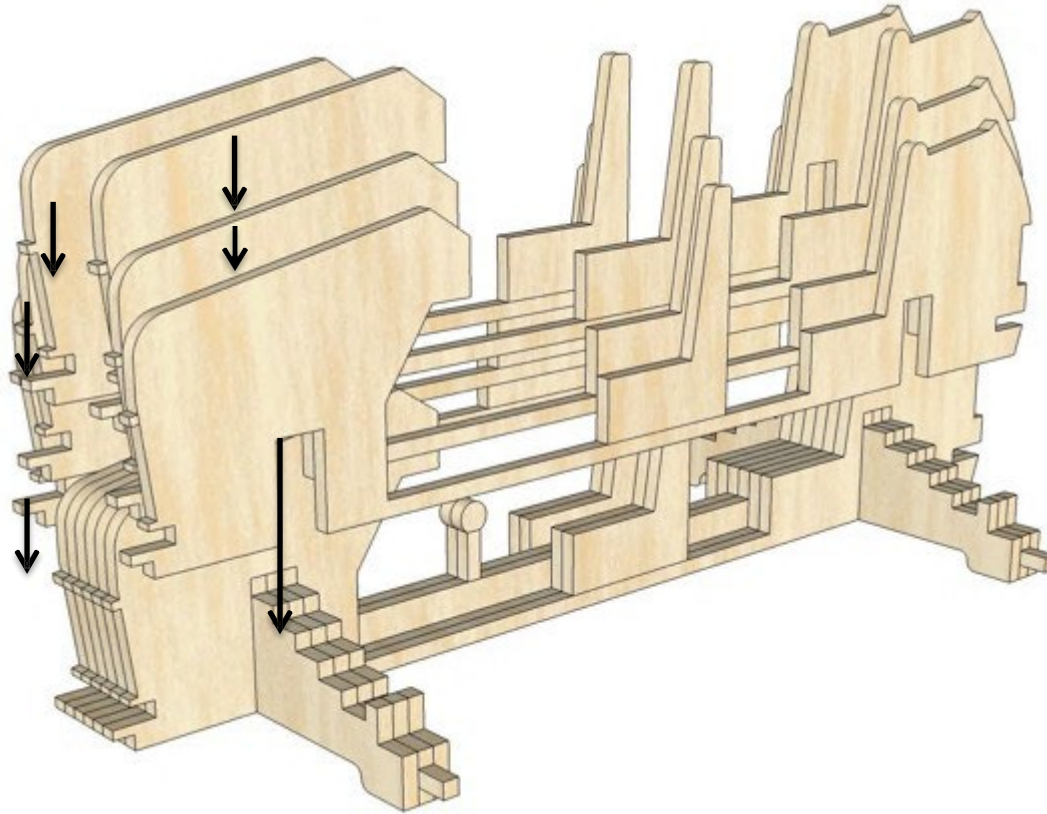


# ASSEMBLY STEPS

[WWW.WOWWE.CO.ZA](http://WWW.WOWWE.CO.ZA)

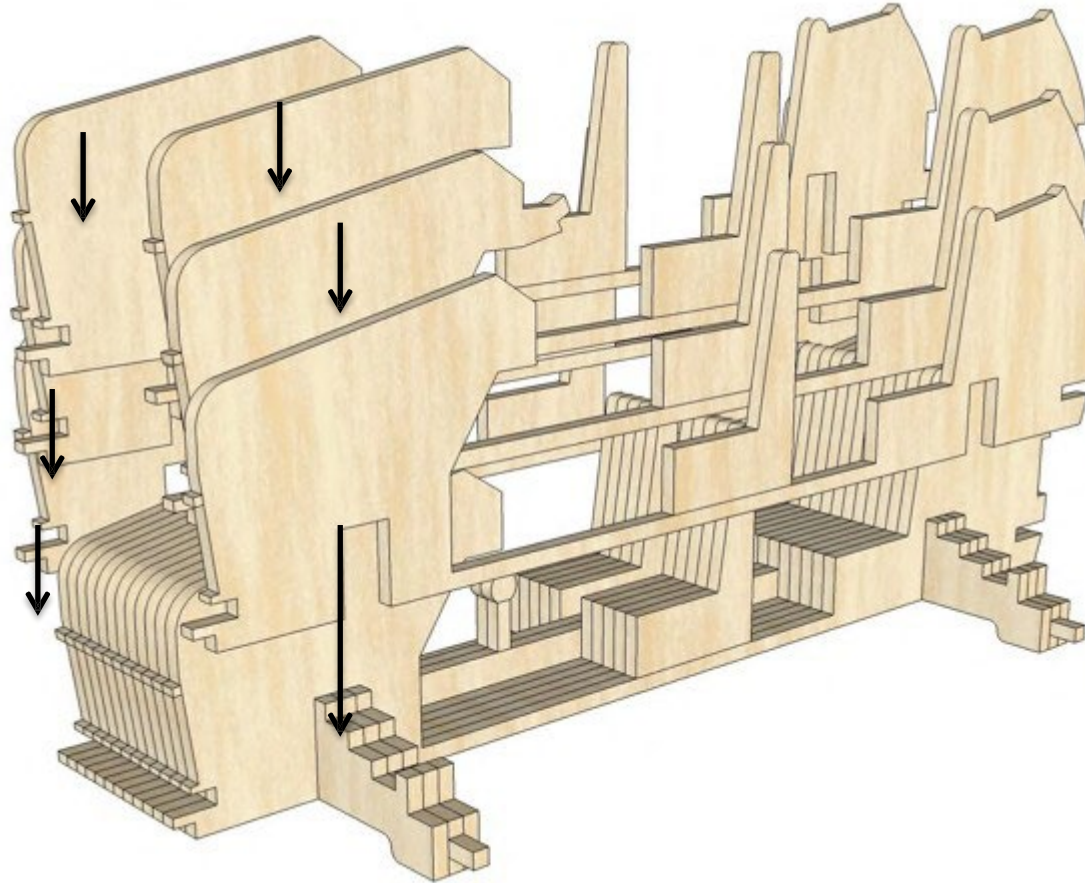


**ASSEMBLY STEPS** [WWW.WOWWE.CO.ZA](http://WWW.WOWWE.CO.ZA)



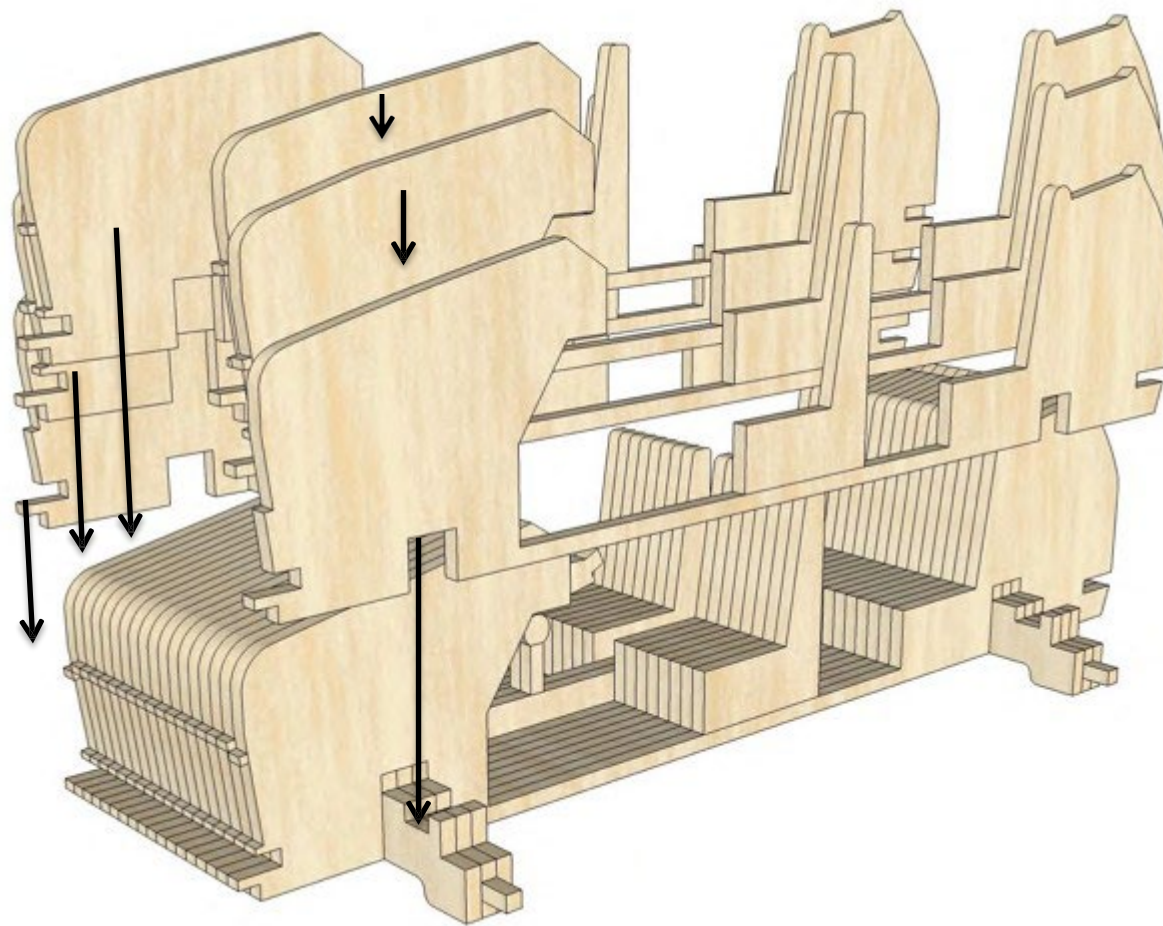
**ASSEMBLY STEPS** [WWW.WOWWE.CO.ZA](http://WWW.WOWWE.CO.ZA)





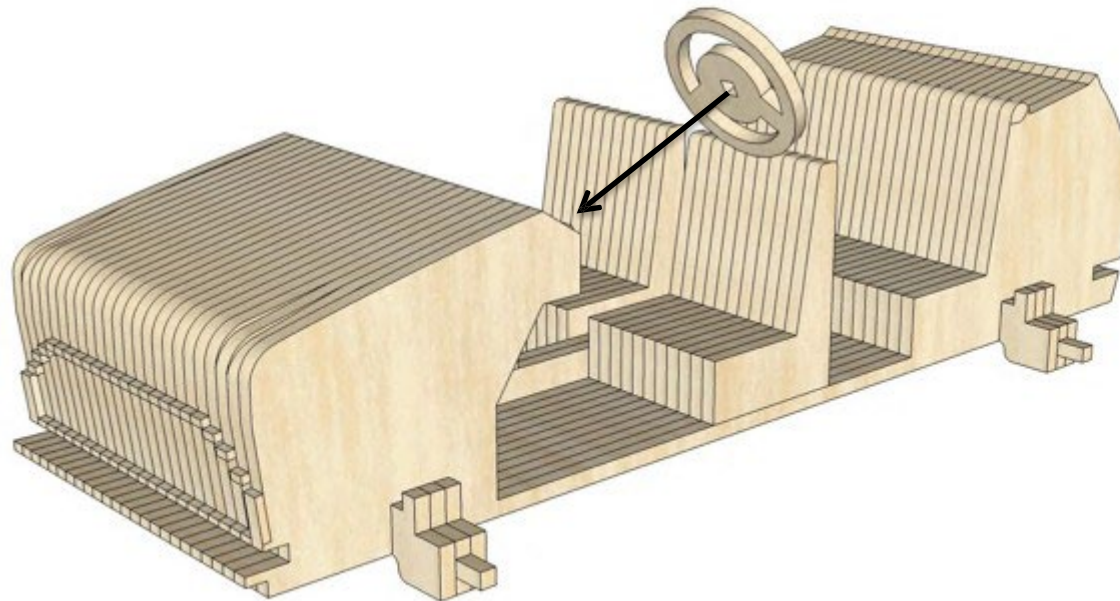
**ASSEMBLY STEPS** [WWW.WOWWE.CO.ZA](http://WWW.WOWWE.CO.ZA)

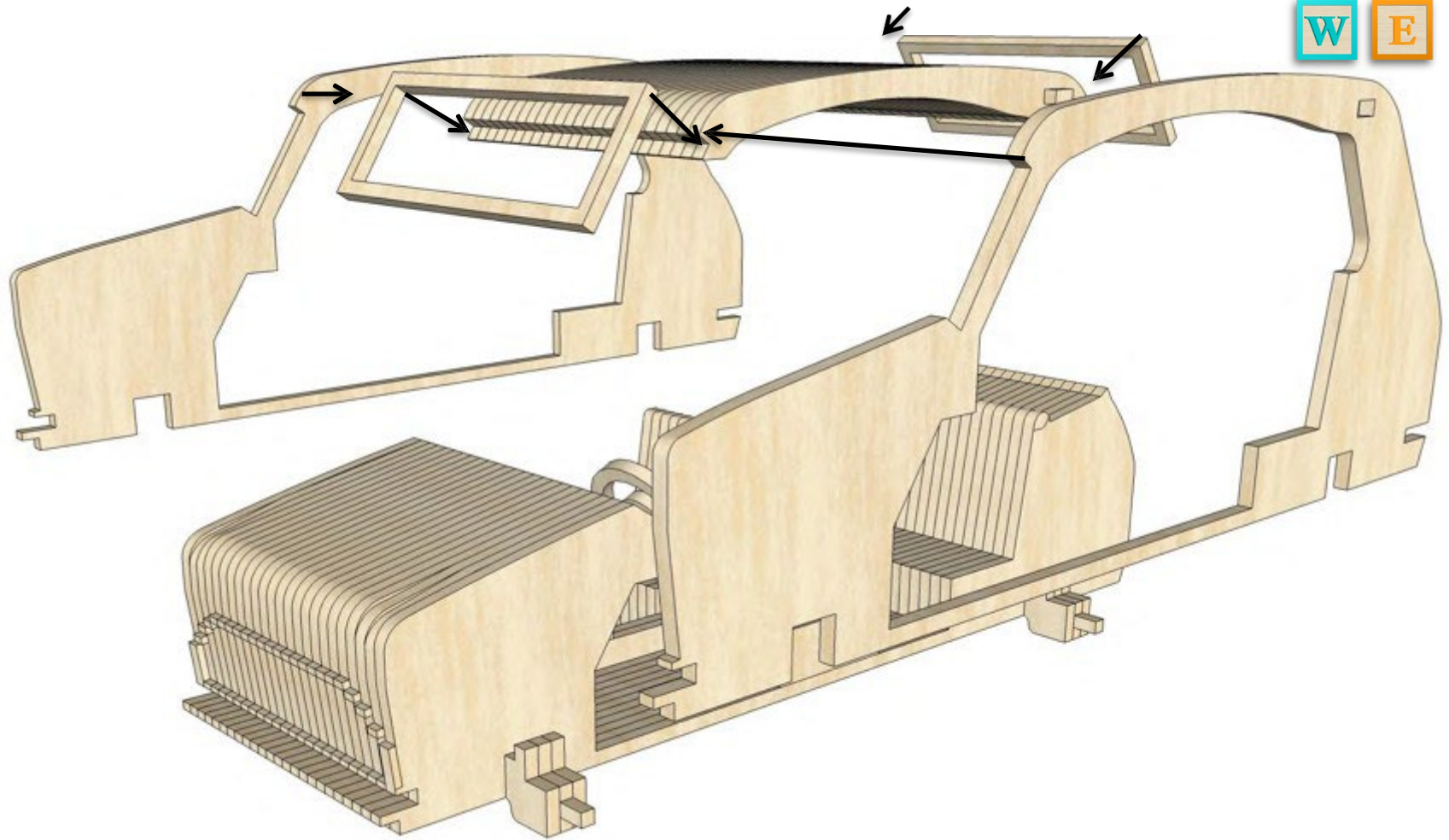




**ASSEMBLY STEPS**

[WWW.WOWWE.CO.ZA](http://WWW.WOWWE.CO.ZA)

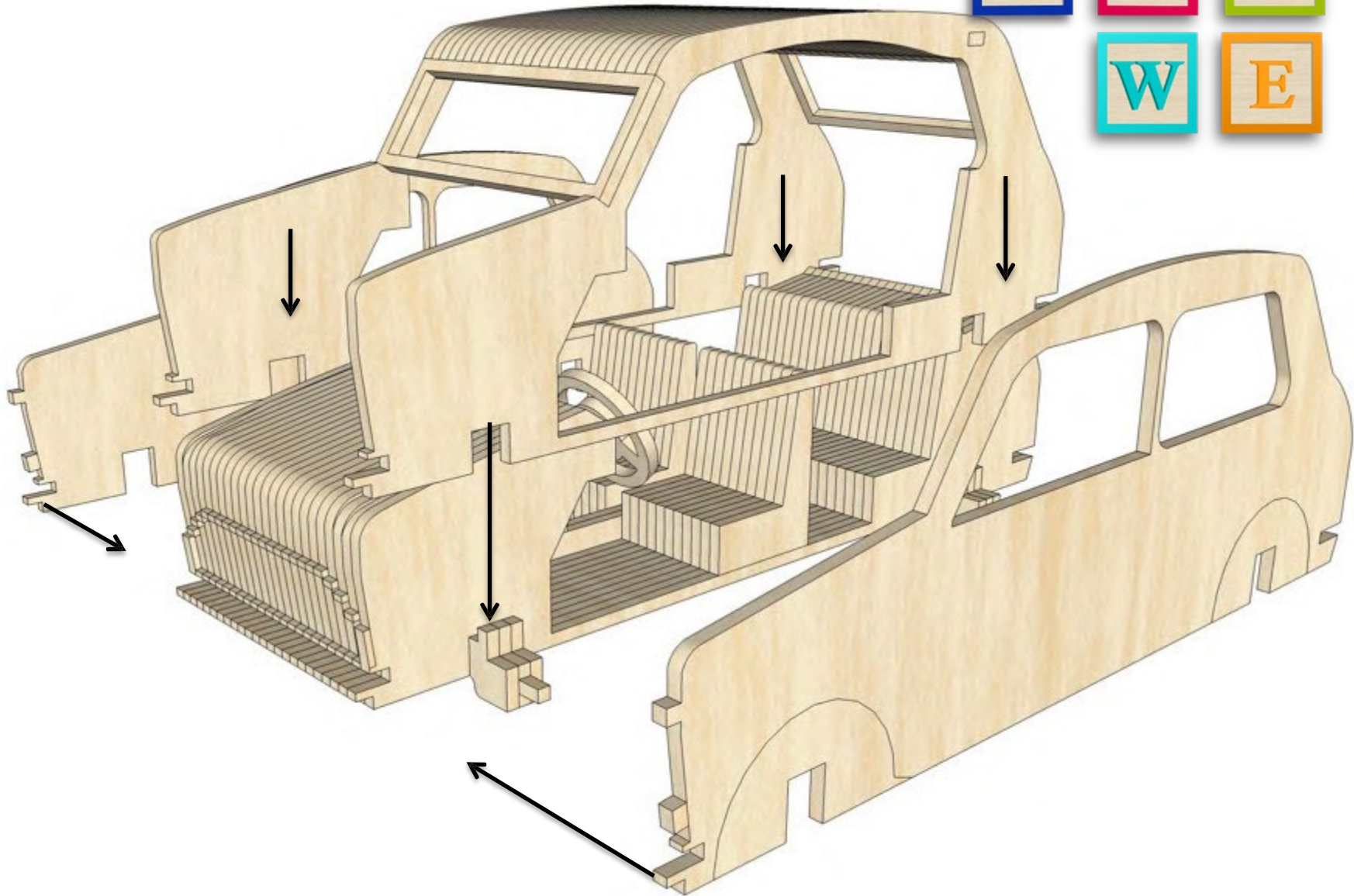




# ASSEMBLY STEPS

[WWW.WOWWE.CO.ZA](http://WWW.WOWWE.CO.ZA)





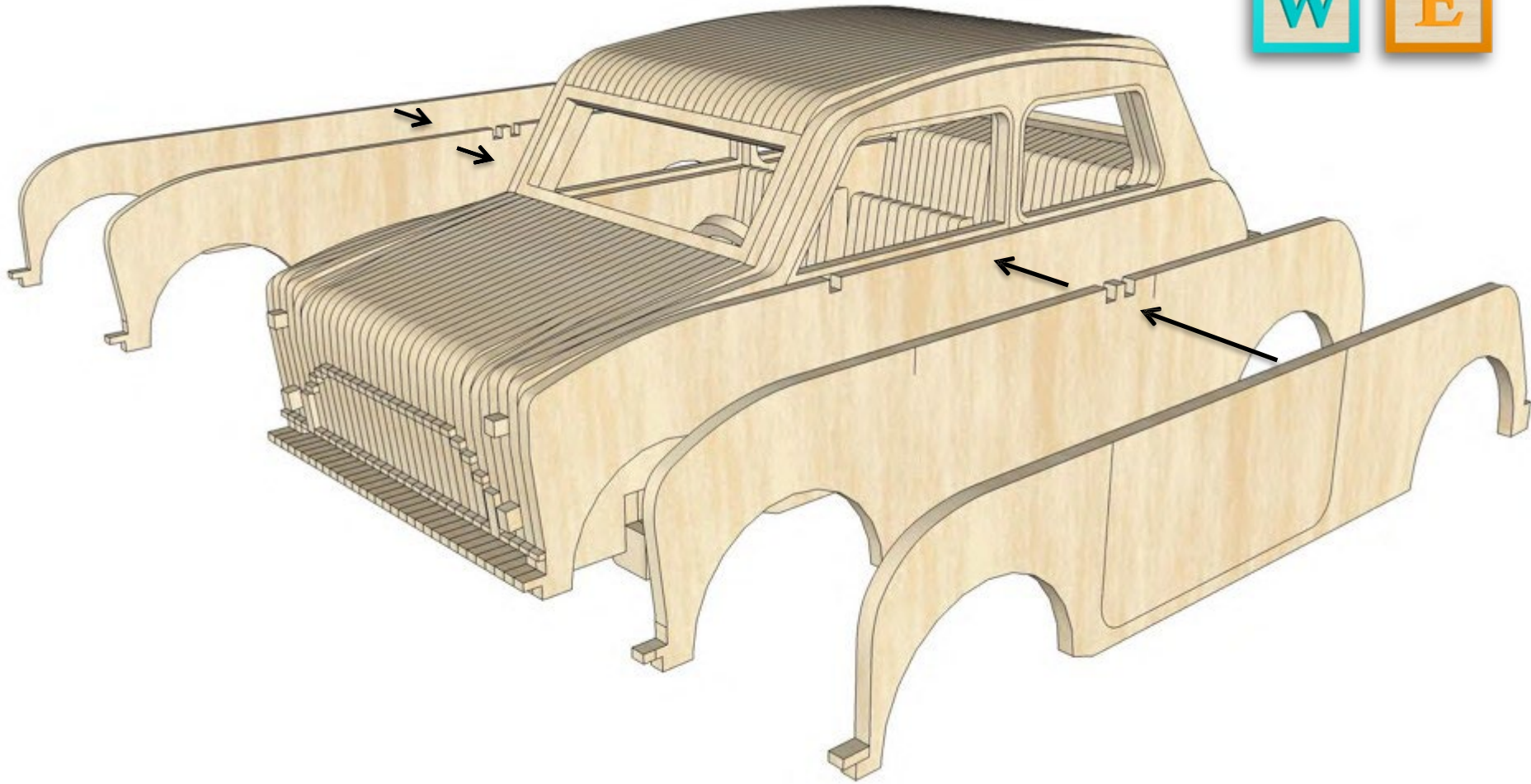
**ASSEMBLY STEPS**

[WWW.WOWWE.CO.ZA](http://WWW.WOWWE.CO.ZA)



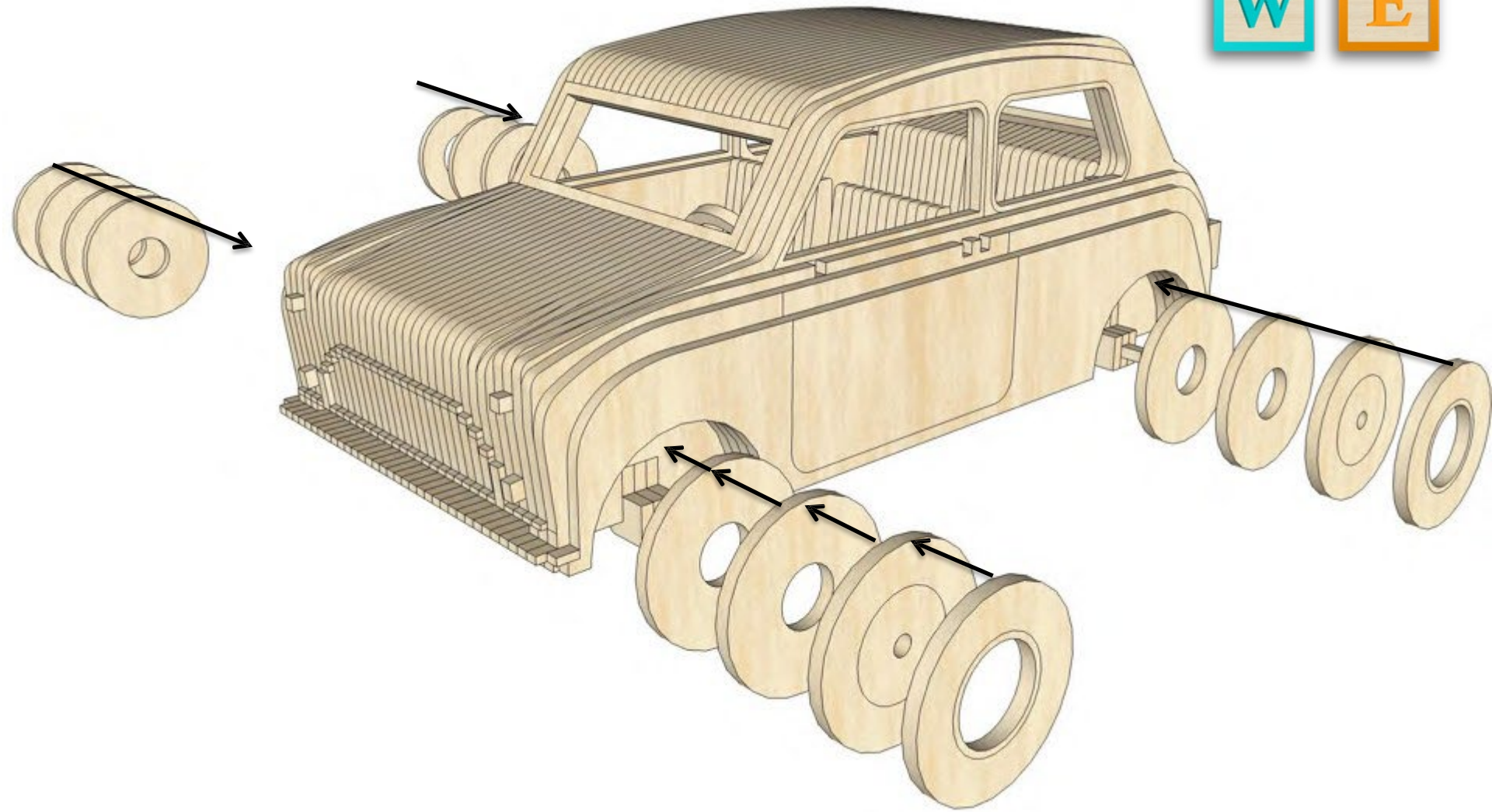


**ASSEMBLY STEPS** [WWW.WOWWE.CO.ZA](http://WWW.WOWWE.CO.ZA)

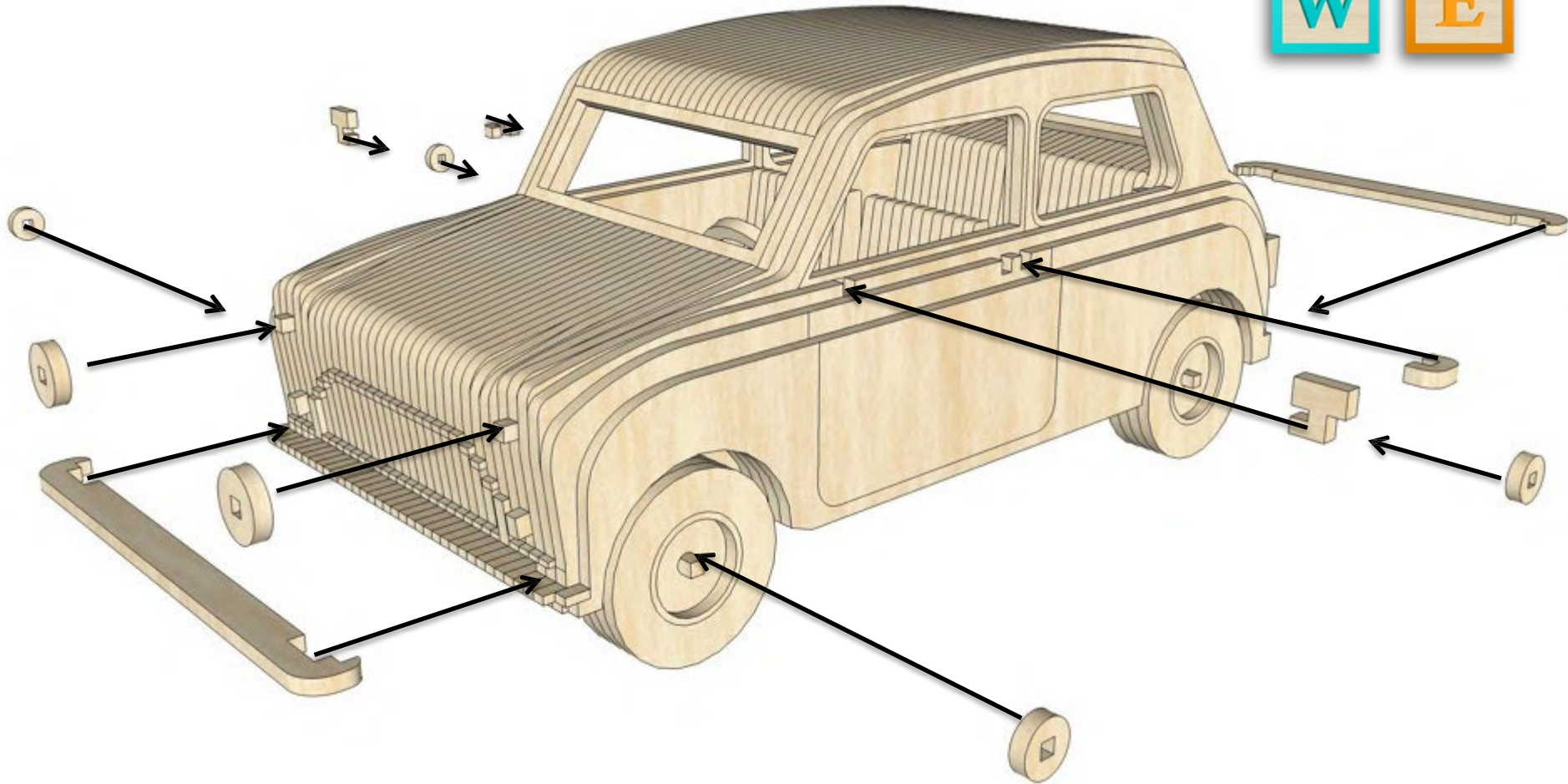


**ASSEMBLY STEPS** [WWW.WOWWE.CO.ZA](http://WWW.WOWWE.CO.ZA)





**ASSEMBLY STEPS** [WWW.WOWWE.CO.ZA](http://WWW.WOWWE.CO.ZA)



**ASSEMBLY STEPS** [WWW.WOWWE.CO.ZA](http://WWW.WOWWE.CO.ZA)





**COMPLETED**

[WWW.WOWWE.CO.ZA](http://WWW.WOWWE.CO.ZA)



**COMPLETED**

[WWW.WOWWE.CO.ZA](http://WWW.WOWWE.CO.ZA)