

**CAUTION! • CAUTION! • CAUTION! • CAUTION! • CAUTION!**

# **WHOA!!! CAUTION NOT SO FAST**

This product is made out of MDF / Supawood and is fragile of nature.

We recommend all pieces to be test fitted and if required contact pieces to be filled / sanded down for a better fit.

**PLEASE DO NOT FORCE FIT ANY PIECES AS IT  
WILL BREAK!**

ENJOY BUILDING YOUR NEW MODEL.

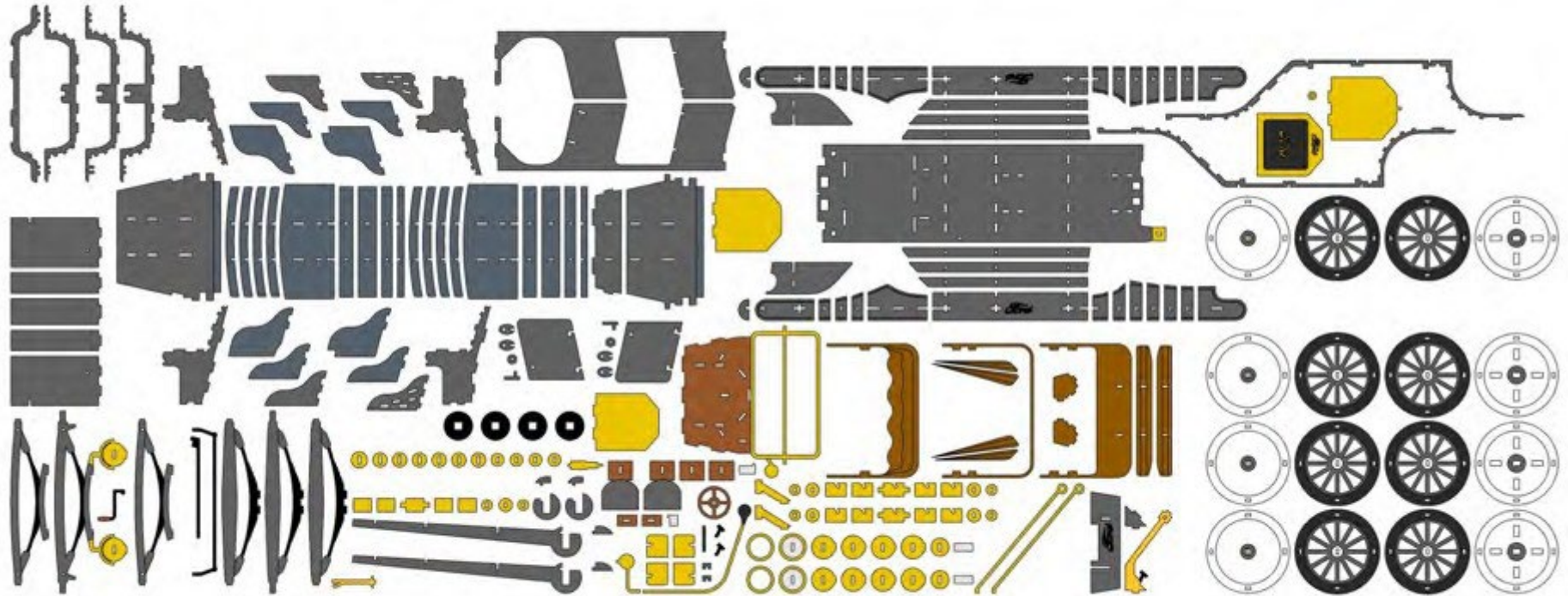
[www.wowwe.co.za](http://www.wowwe.co.za)







# PARTS LIST

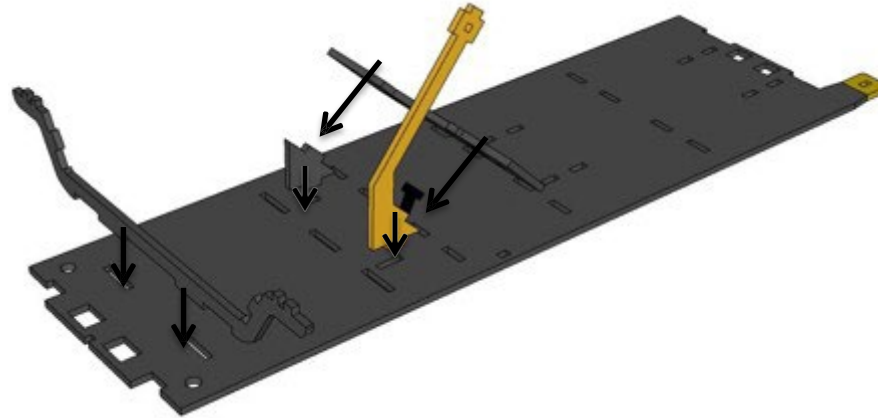


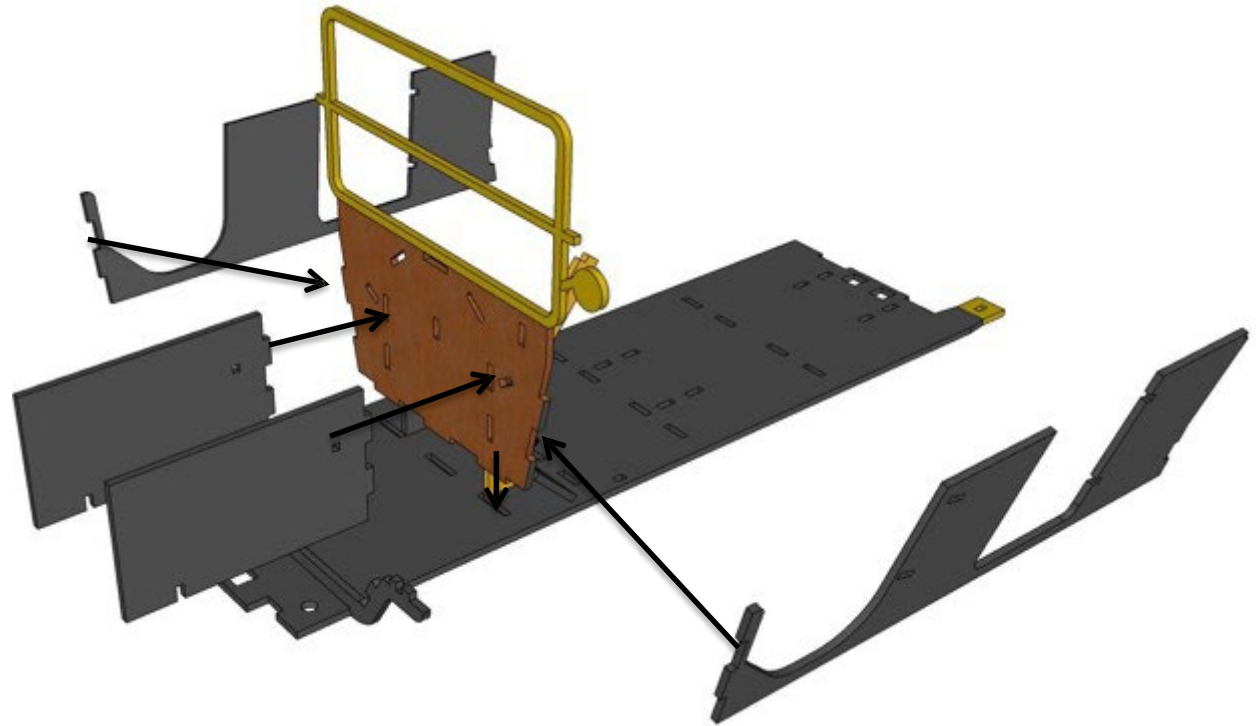
**IT IS RECOMMENDED TO GO THROUGH ALL THE PAGES  
AND SEE EACH STEP BEFORE STARTING THE ASSEMBLY**

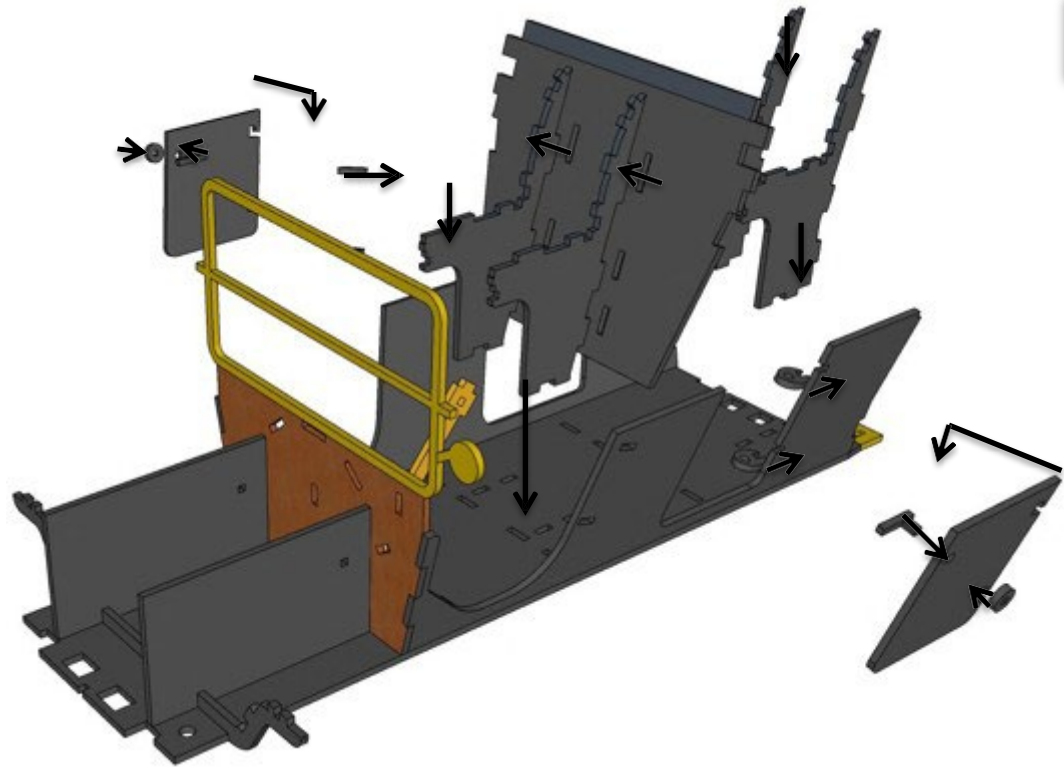


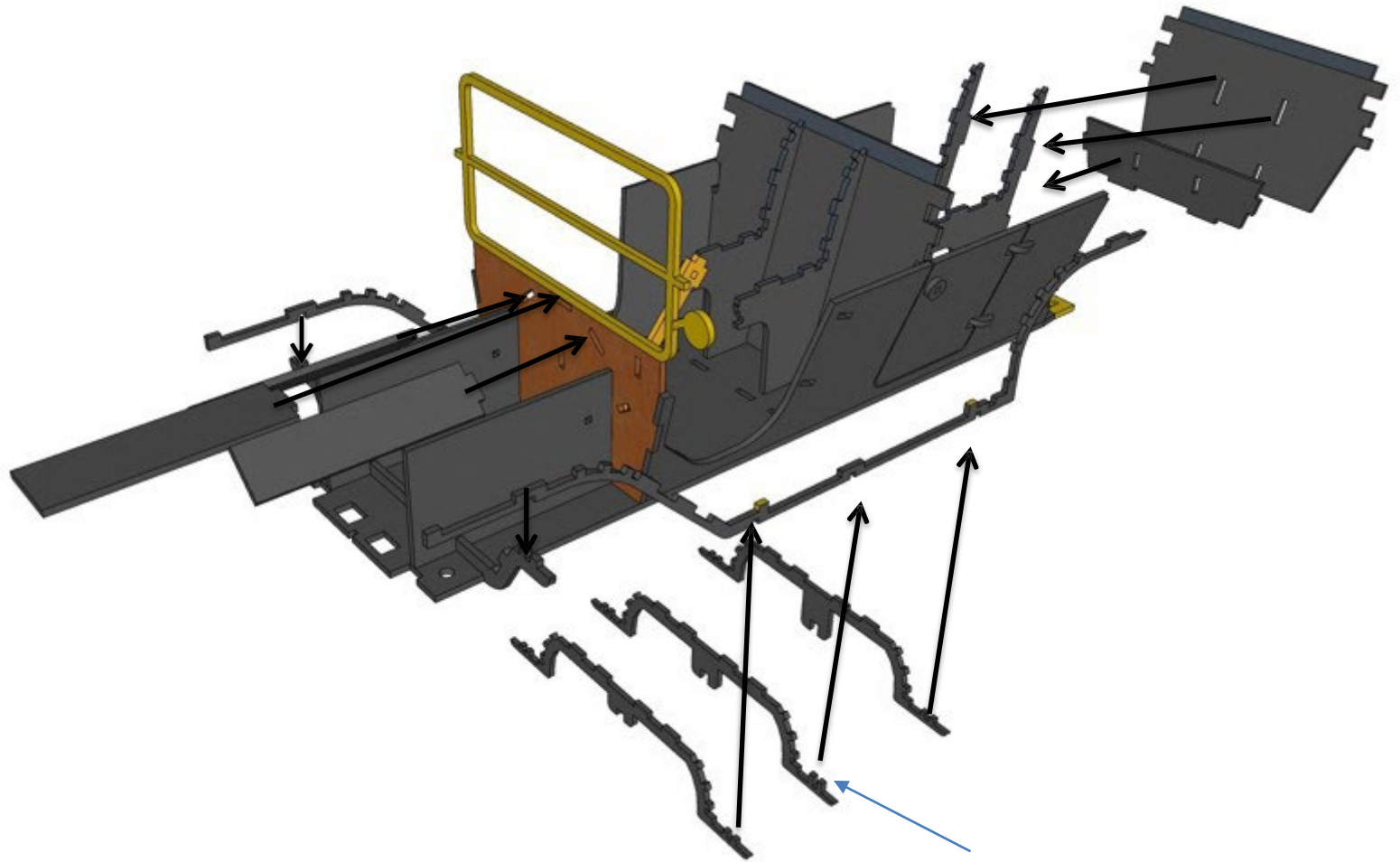
**Full quality photos on our website to assist with the assembly (download link)  
[www.wowwe.co.za](http://www.wowwe.co.za)**

## **ASSEMBLY STEPS**



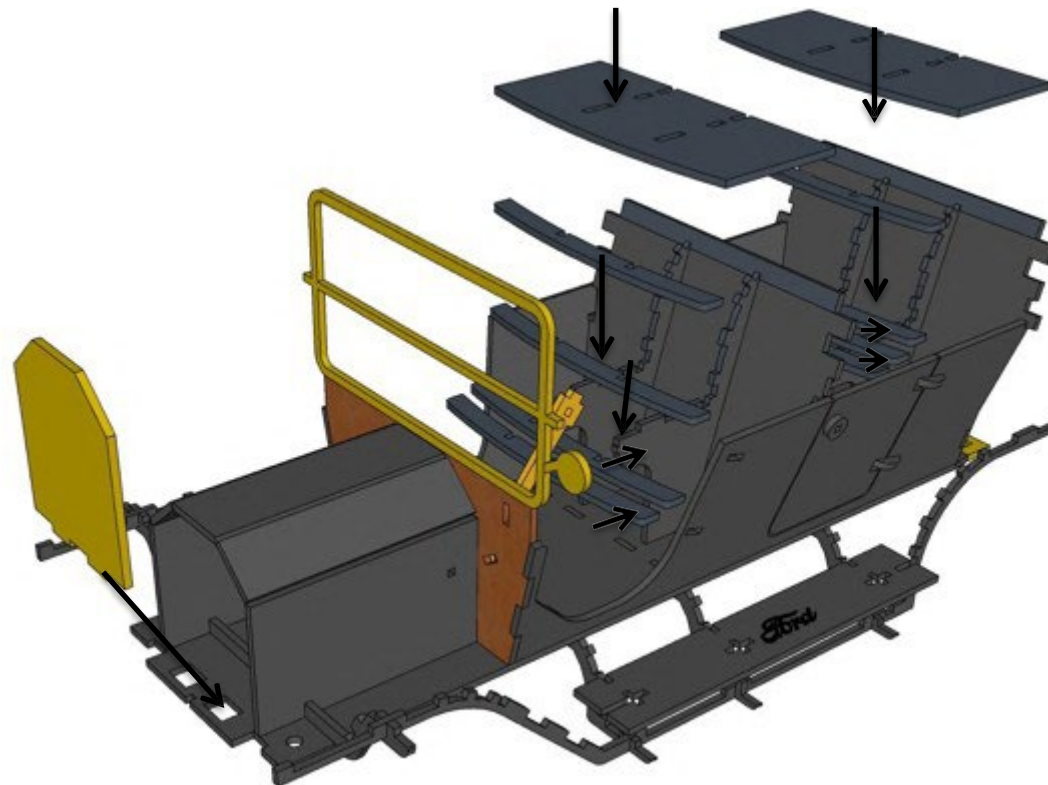


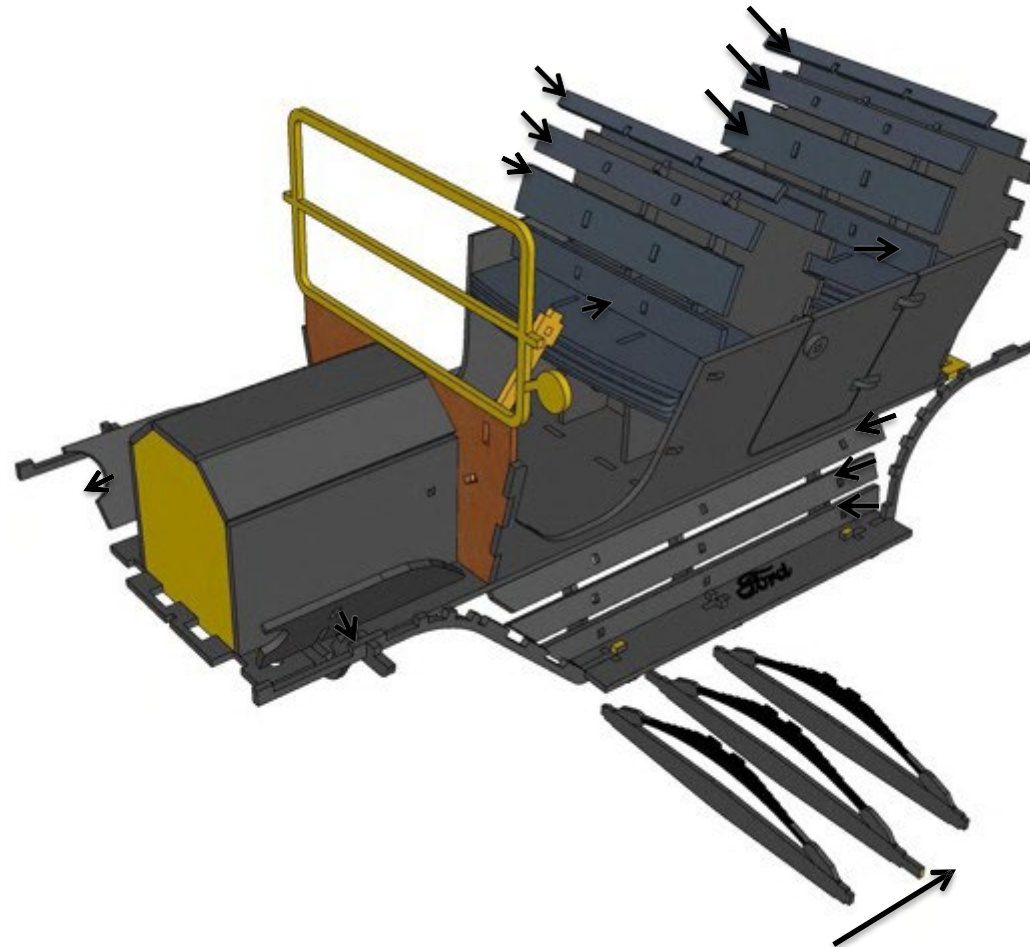


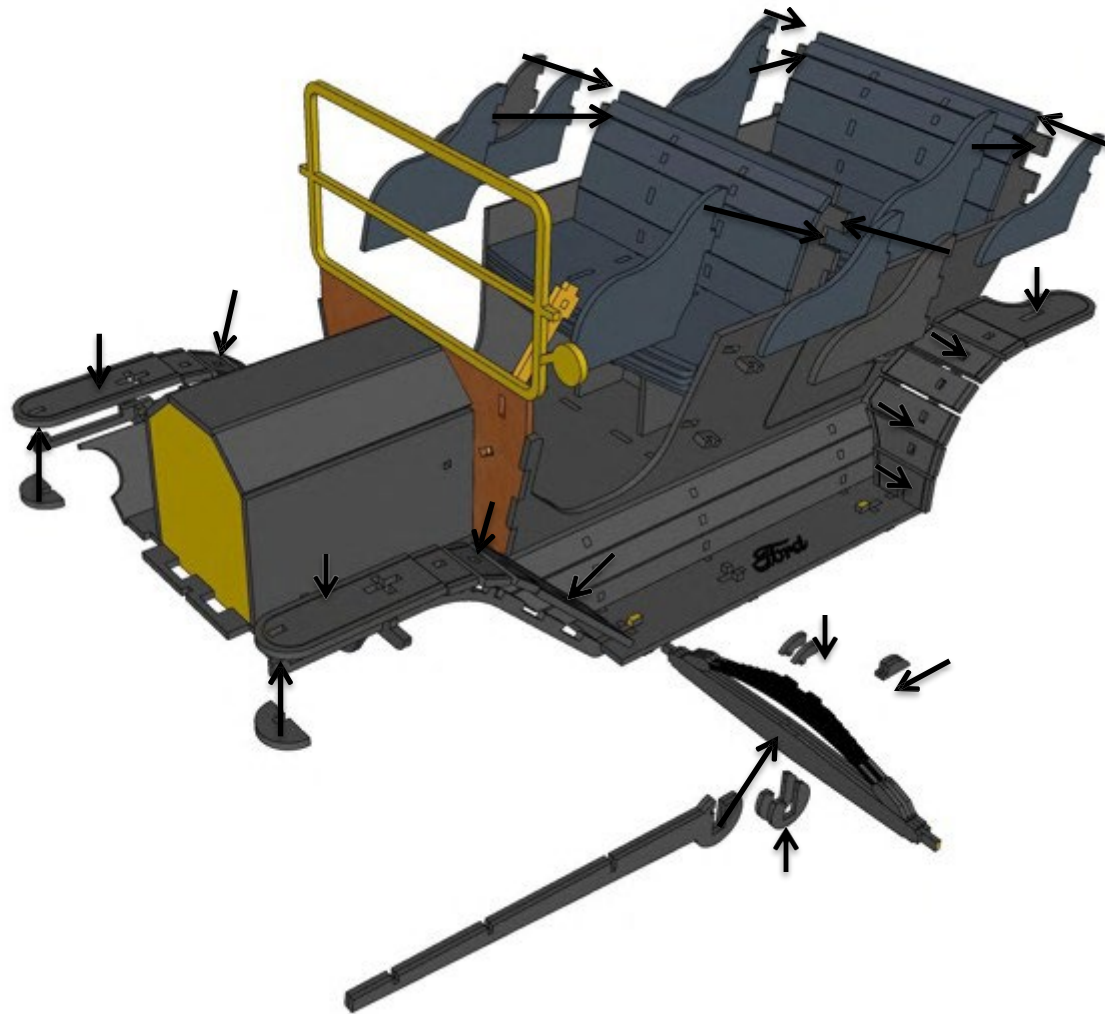


Take not of the special end

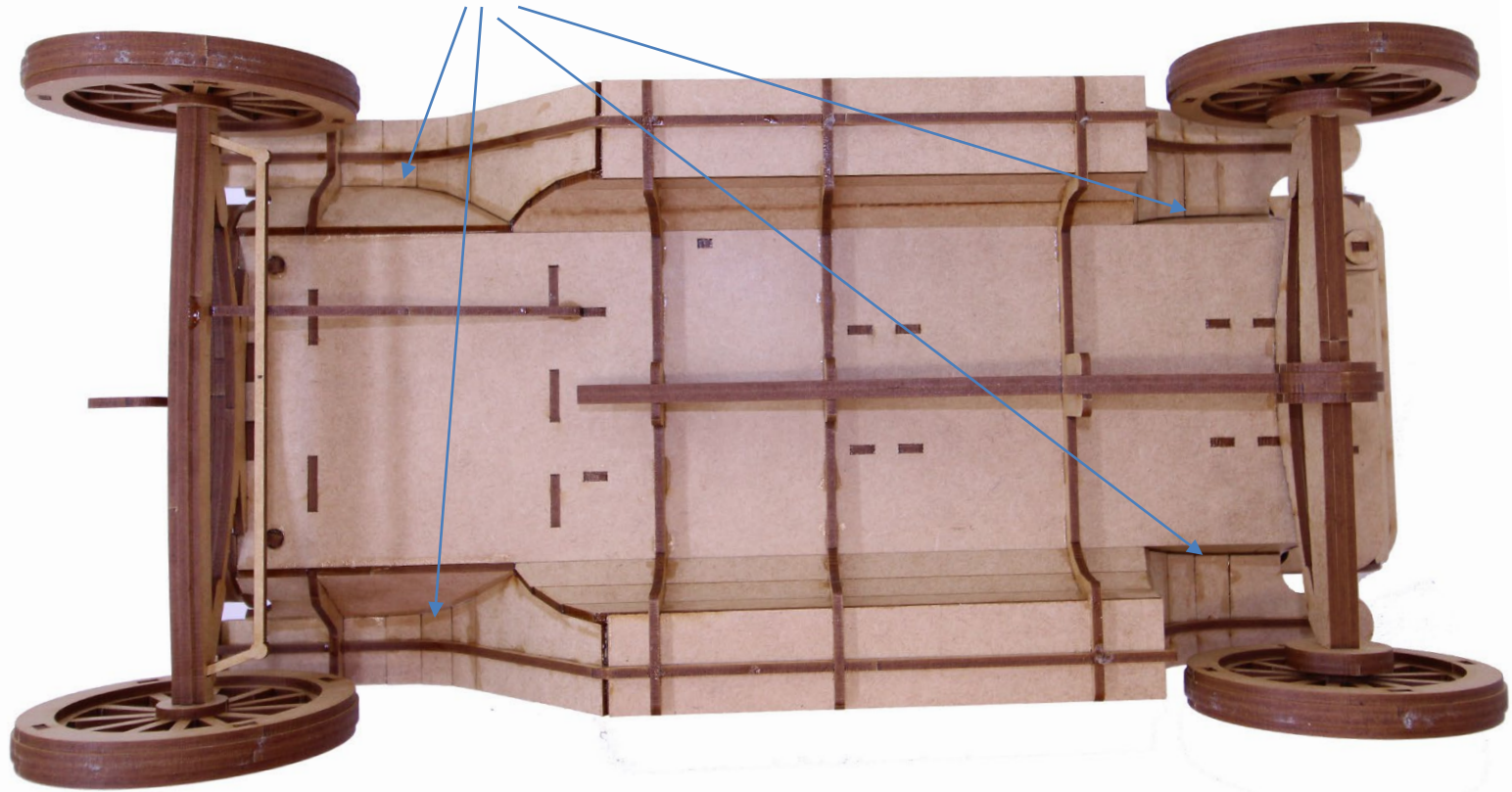


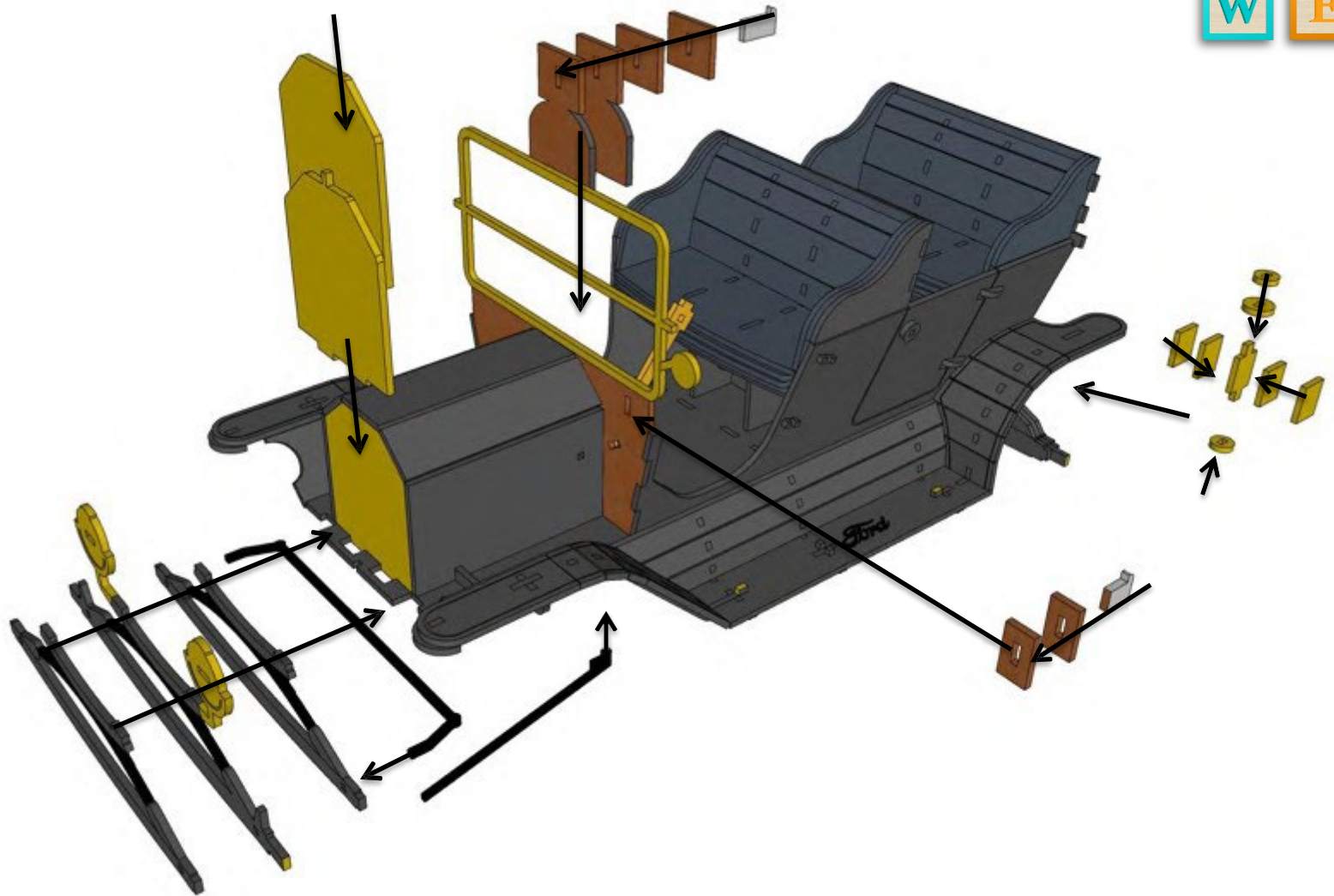




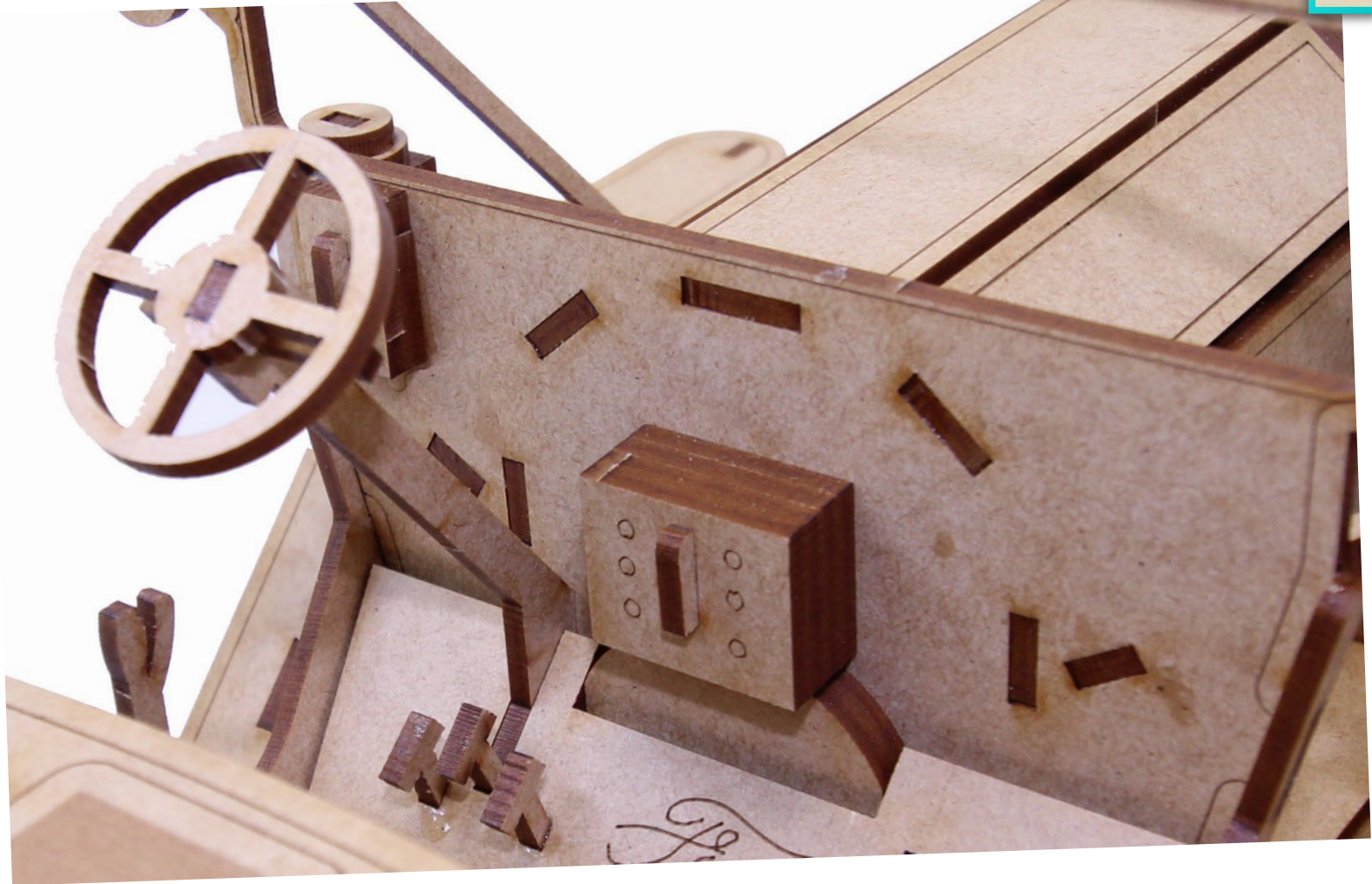


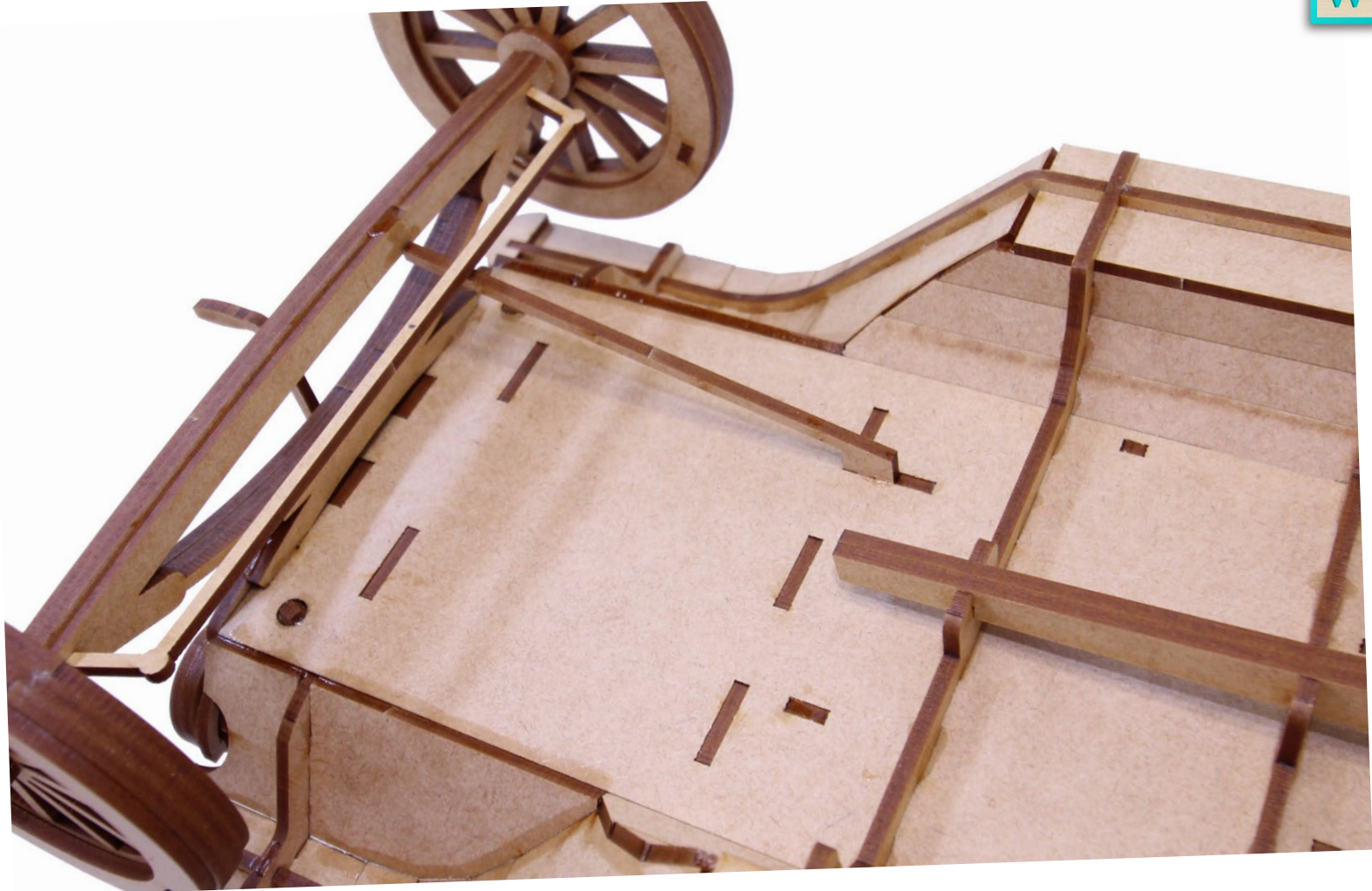
Glue fenders below

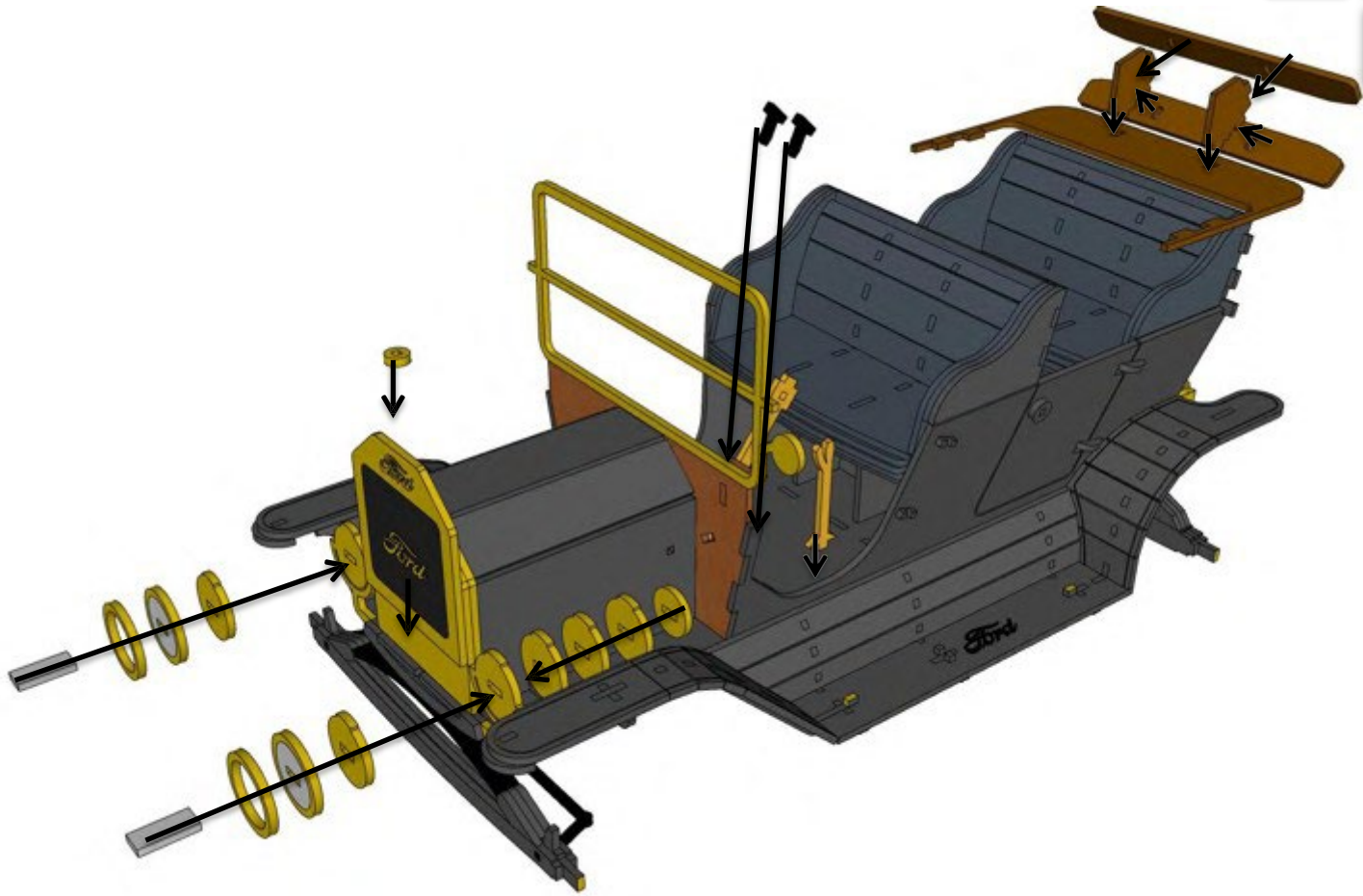




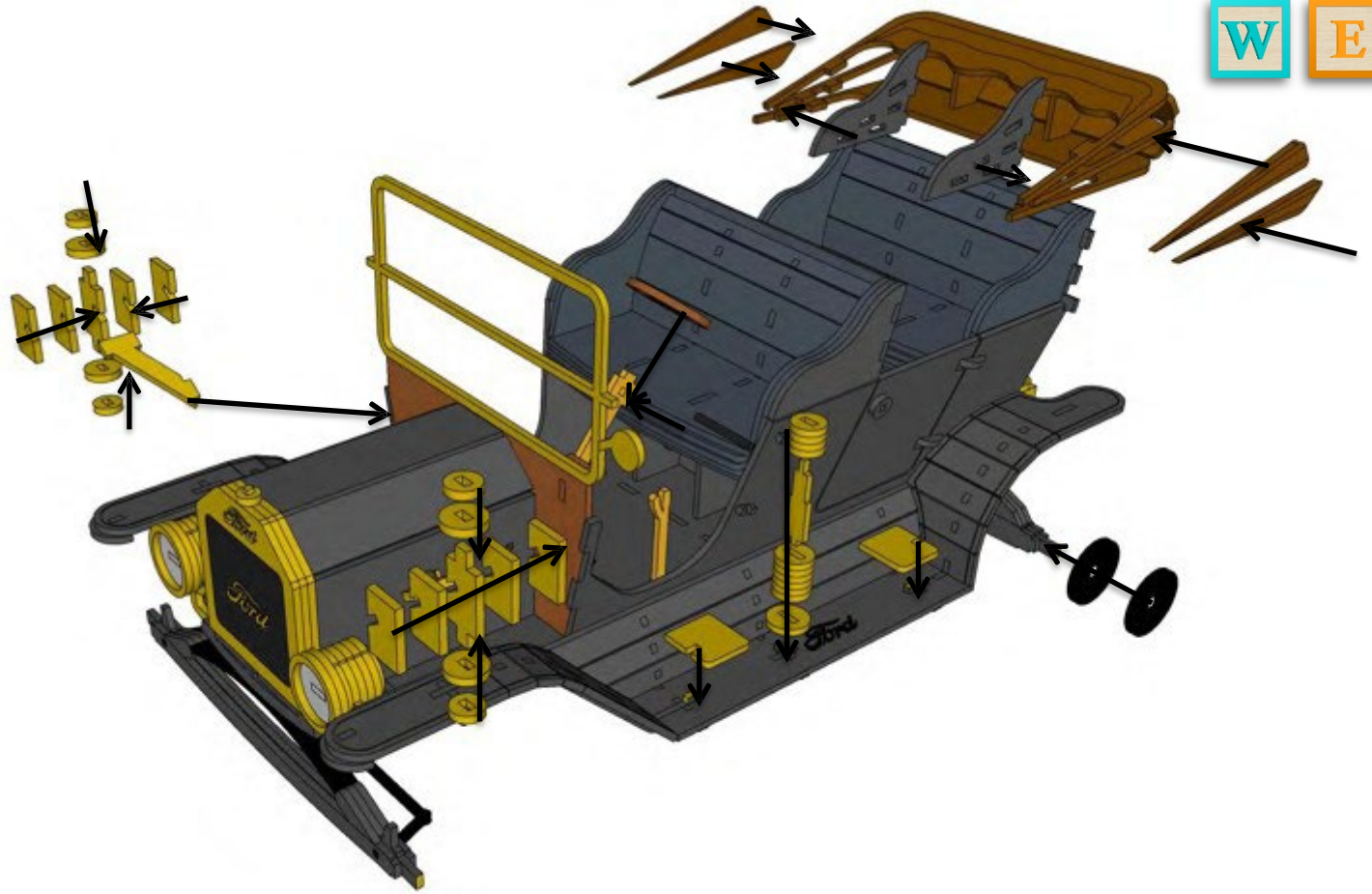
















Step 1



Step 2



Step 3

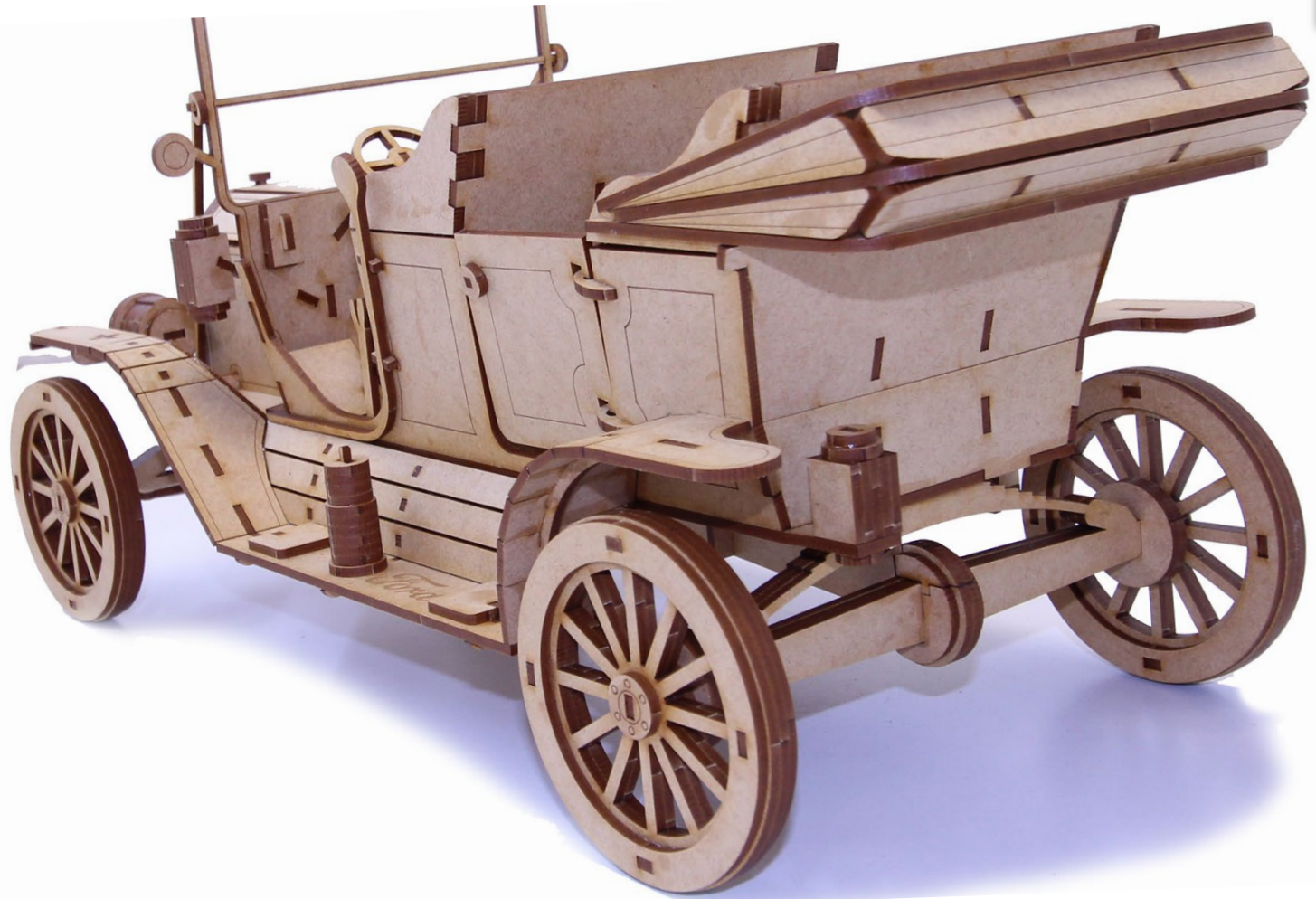


Step 4



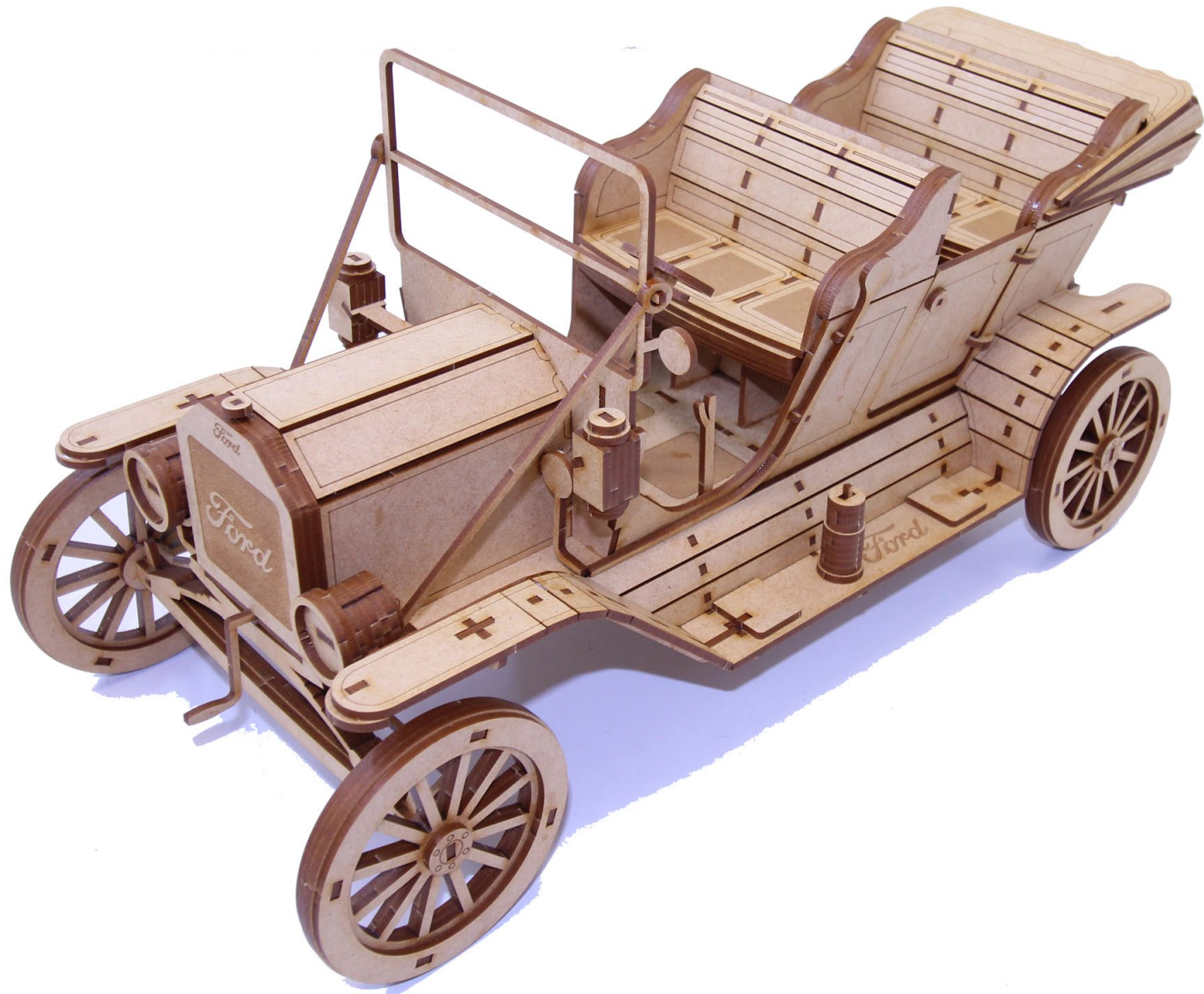
Complete











[www.wowwe.co.za](http://www.wowwe.co.za)

