

CAUTION! • CAUTION! • CAUTION! • CAUTION! • CAUTION!

WHOA!!! CAUTION NOT SO FAST

This product is made out of MDF / Supawood and is fragile of nature.

We recommend all pieces to be test fitted and if required contact pieces to be filled / sanded down for a better fit.

**PLEASE DO NOT FORCE FIT ANY PIECES AS IT
WILL BREAK!**

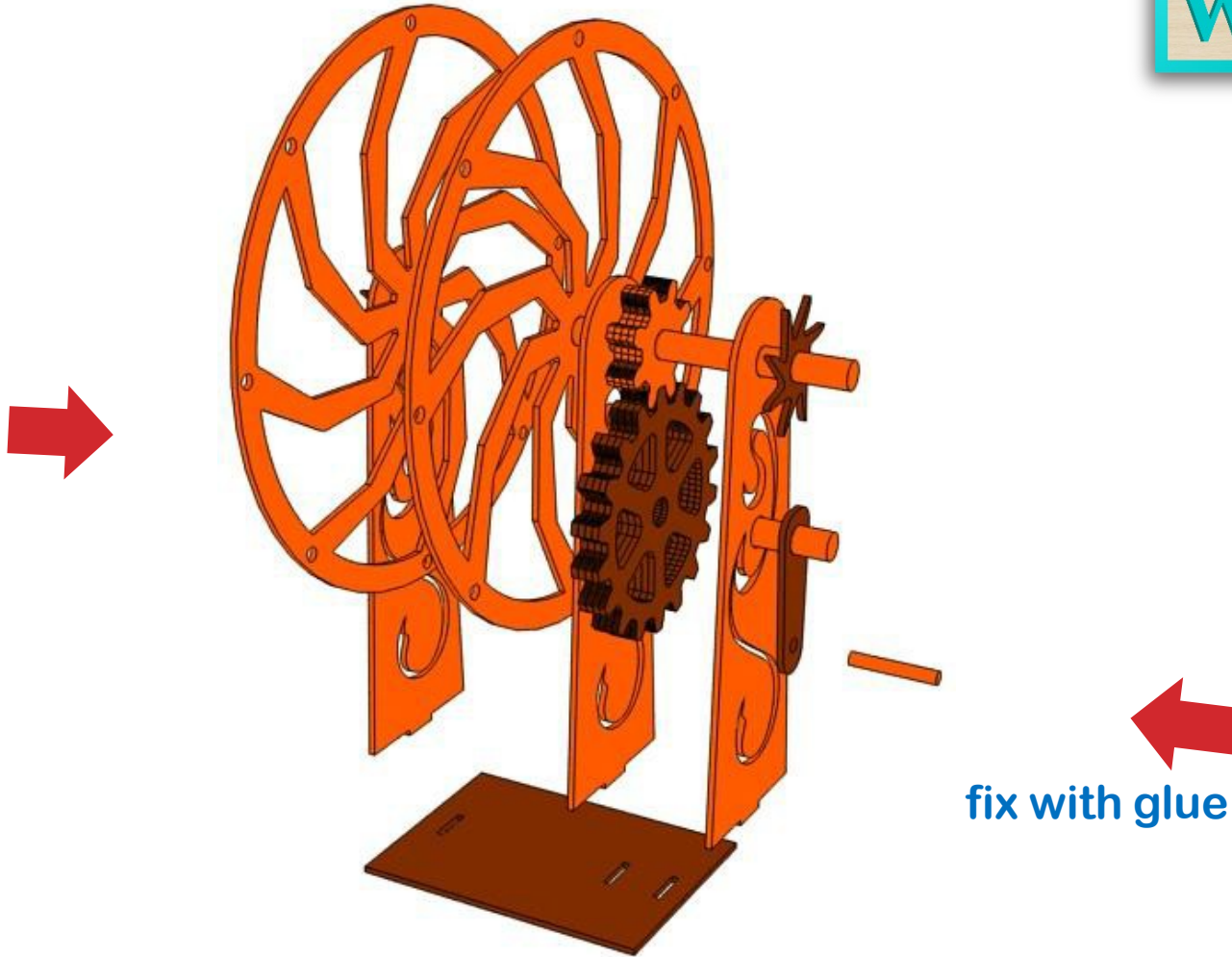
ENJOY BUILDING YOUR NEW MODEL.

FERRIS WHEEL



STEP 1

fix with glue

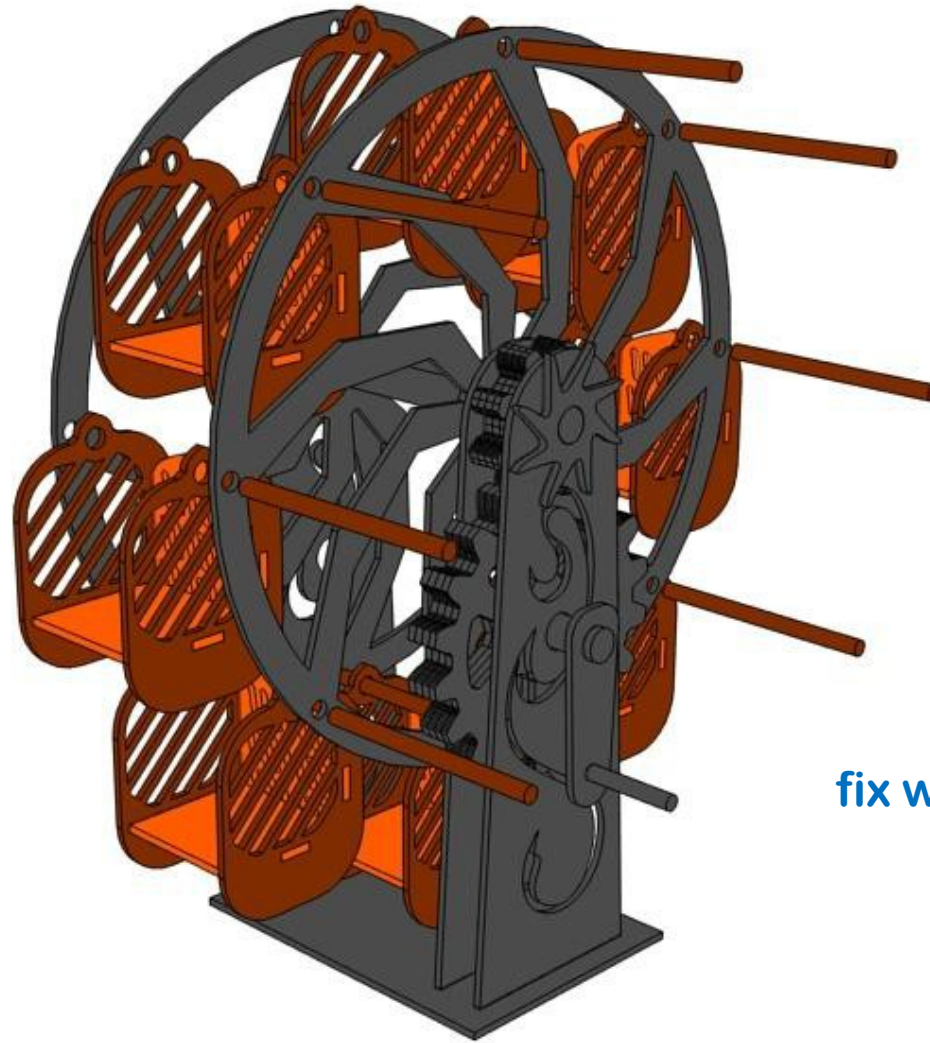


STEP 2



fix with glue

STEP 3



fix with glue

FINAL

