

CAUTION! • CAUTION! • CAUTION! • CAUTION! • CAUTION!

WHOA!!! CAUTION NOT SO FAST

This product is made out of MDF / Supawood and is fragile of nature.

We recommend all pieces to be test fitted and if required contact pieces to be filed / sanded down for a better fit.

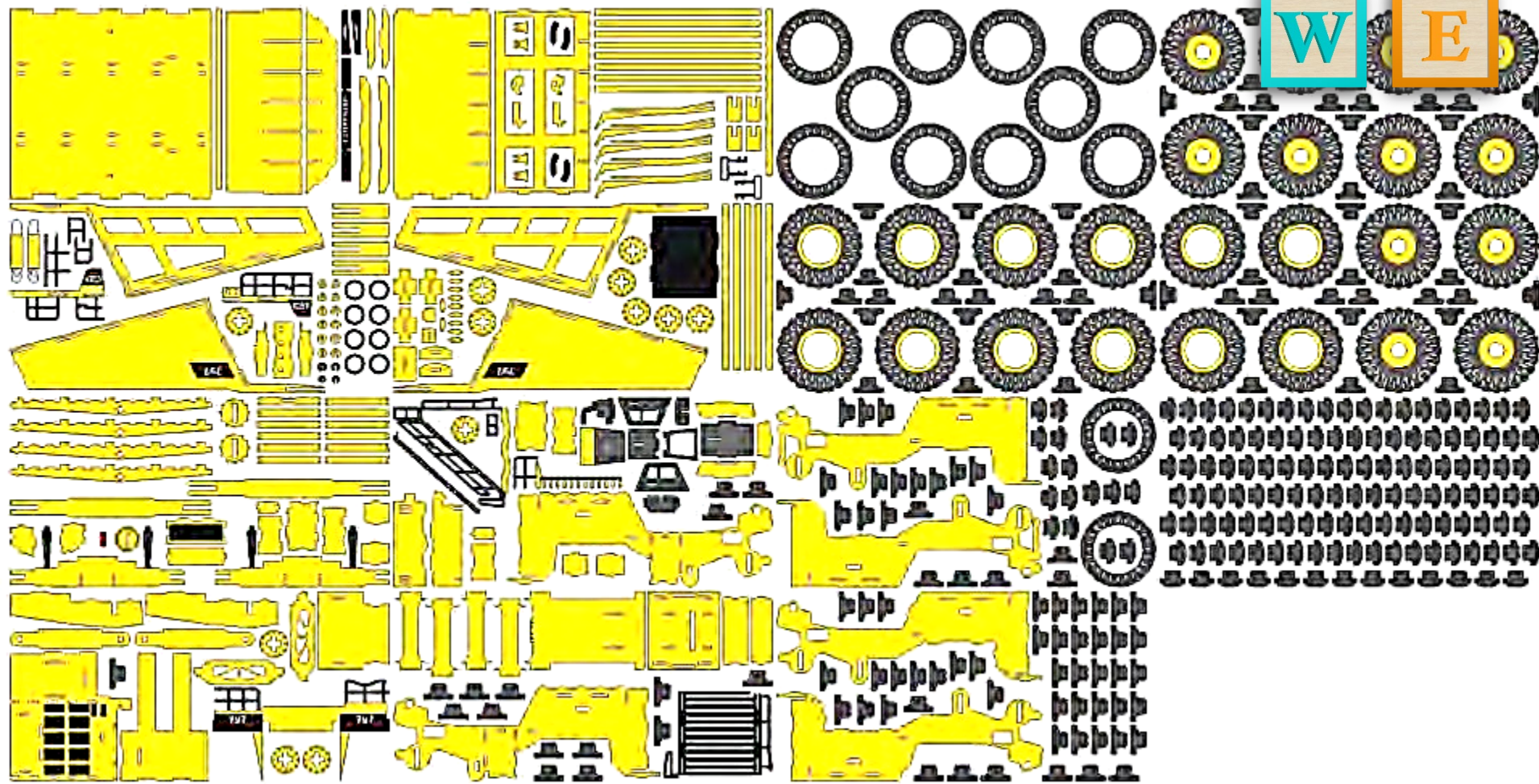
**PLEASE DO NOT FORCE FIT ANY PIECES AS IT
WILL BREAK!**

ENJOY BUILDING YOUR NEW MODEL.
WWW.WOWWE.CO.ZA



CATERPILLAR 797 HAUL TRUCK

WWW.WOWWE.CO.ZA



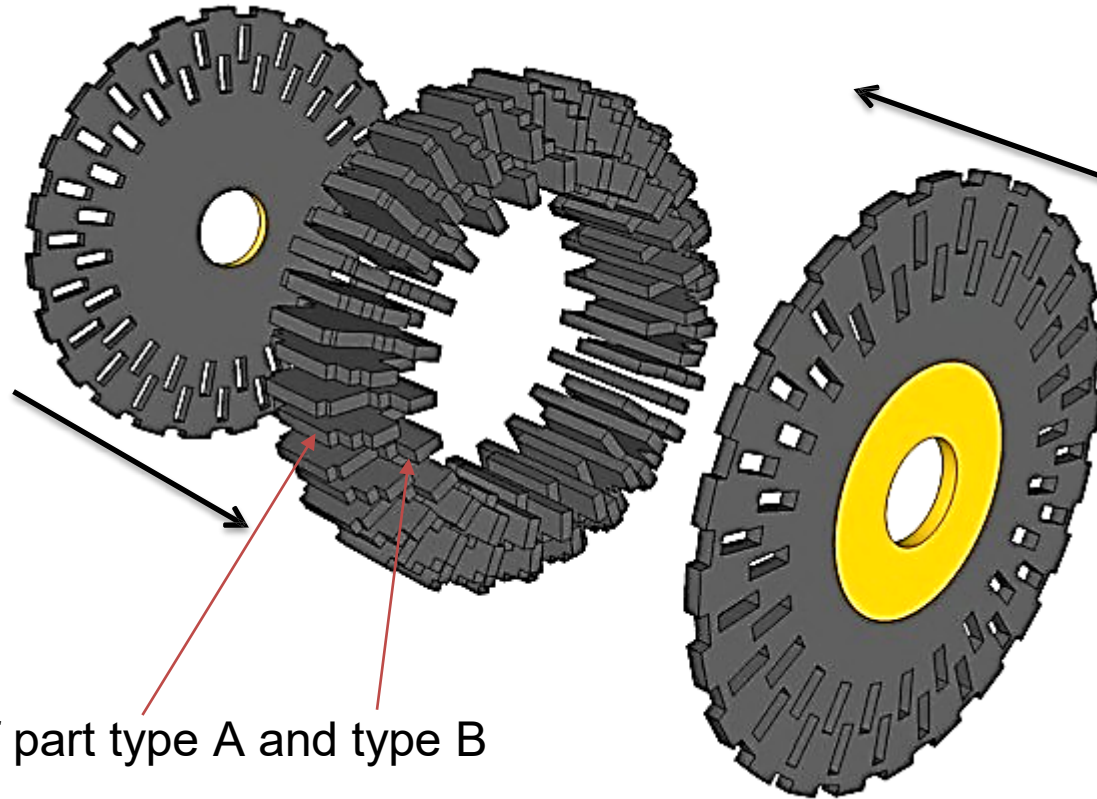
PARTS LIST

WWW.WOWWE.CO.ZA

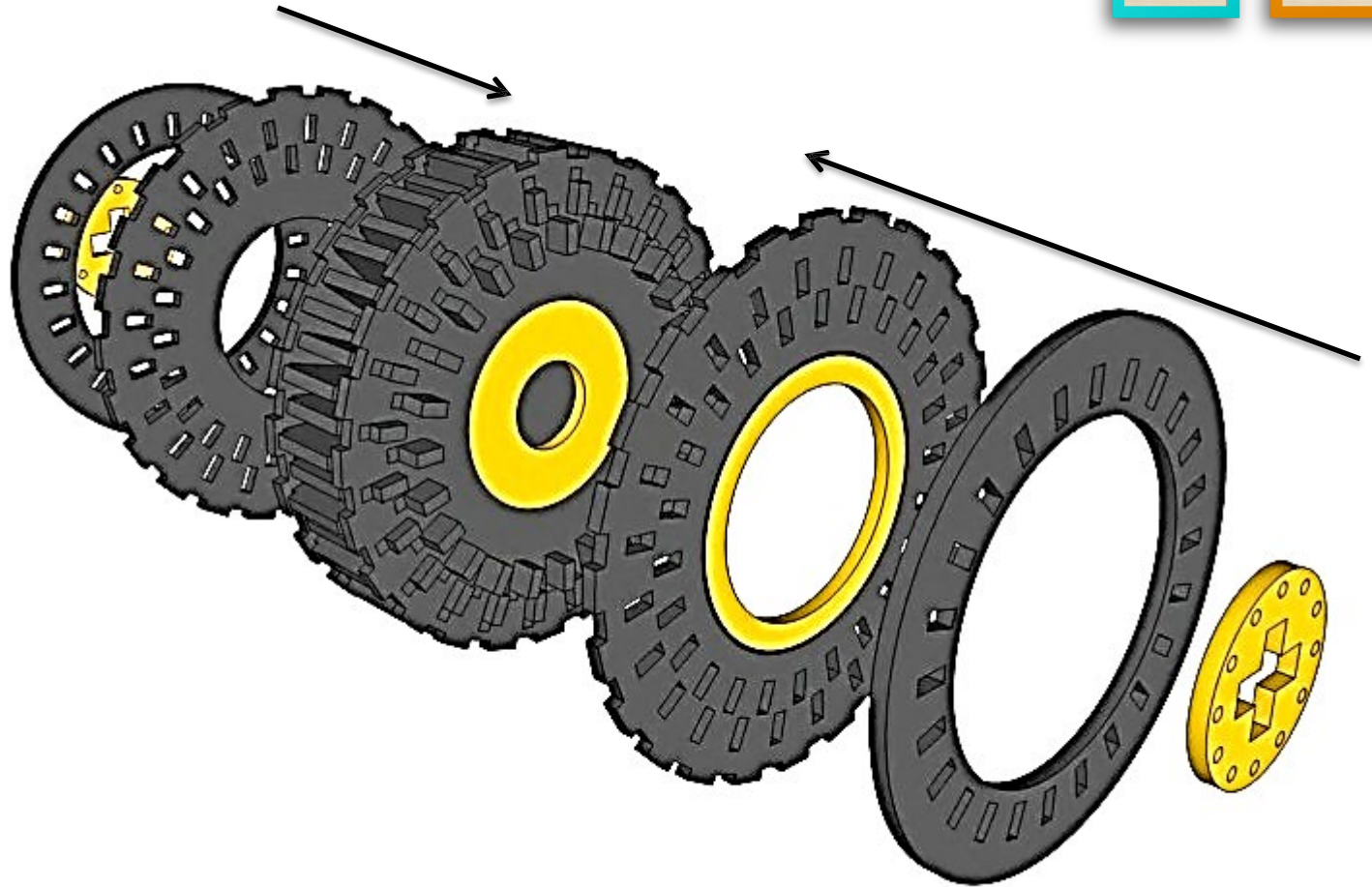
IT IS RECOMMENDED TO GO THROUGH ALL THE PAGES AND SEE EACH STEP BEFORE STARTING THE ASSEMBLY



Full quality picture on the website as well.



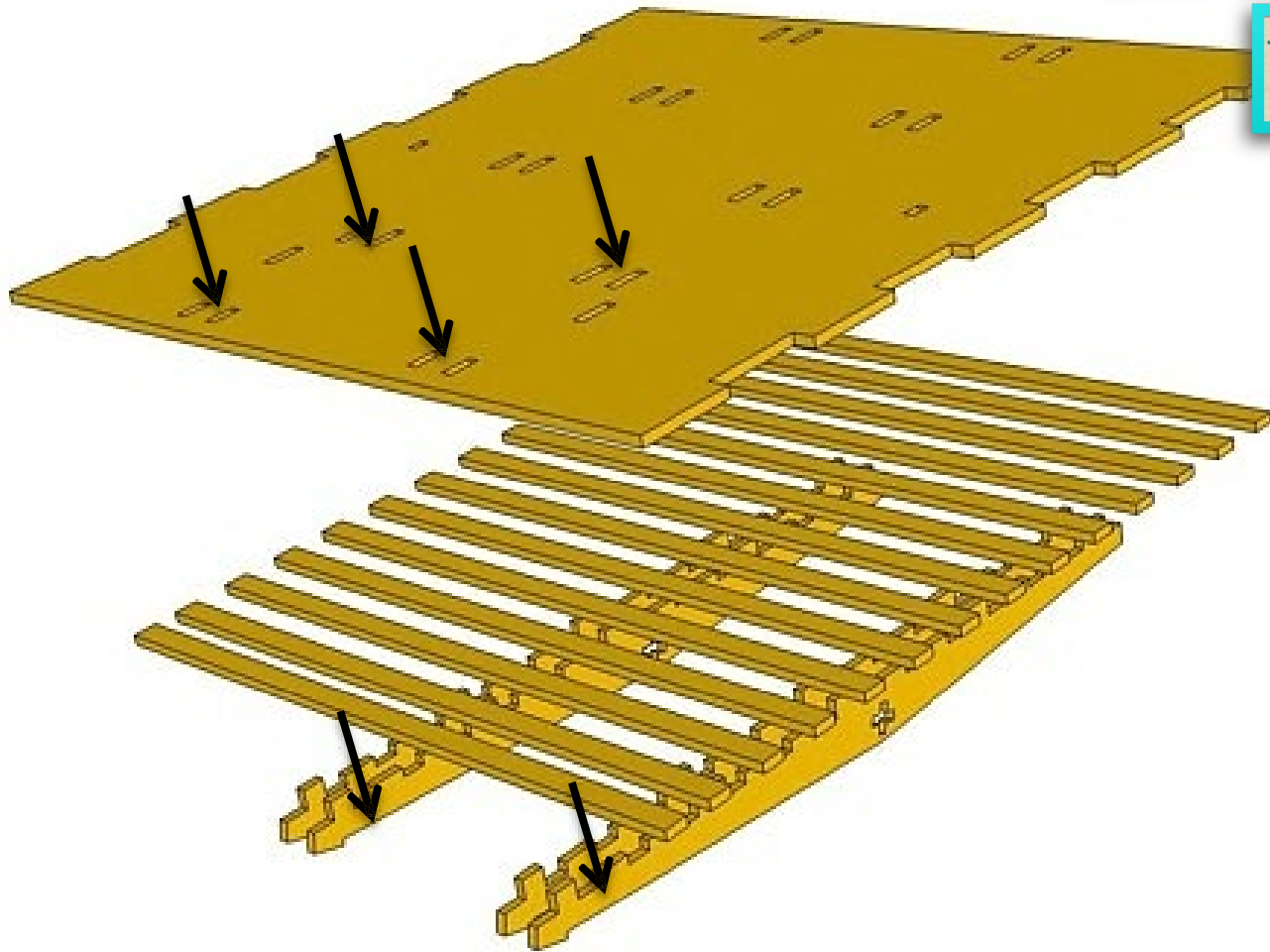
Take note of part type A and type B



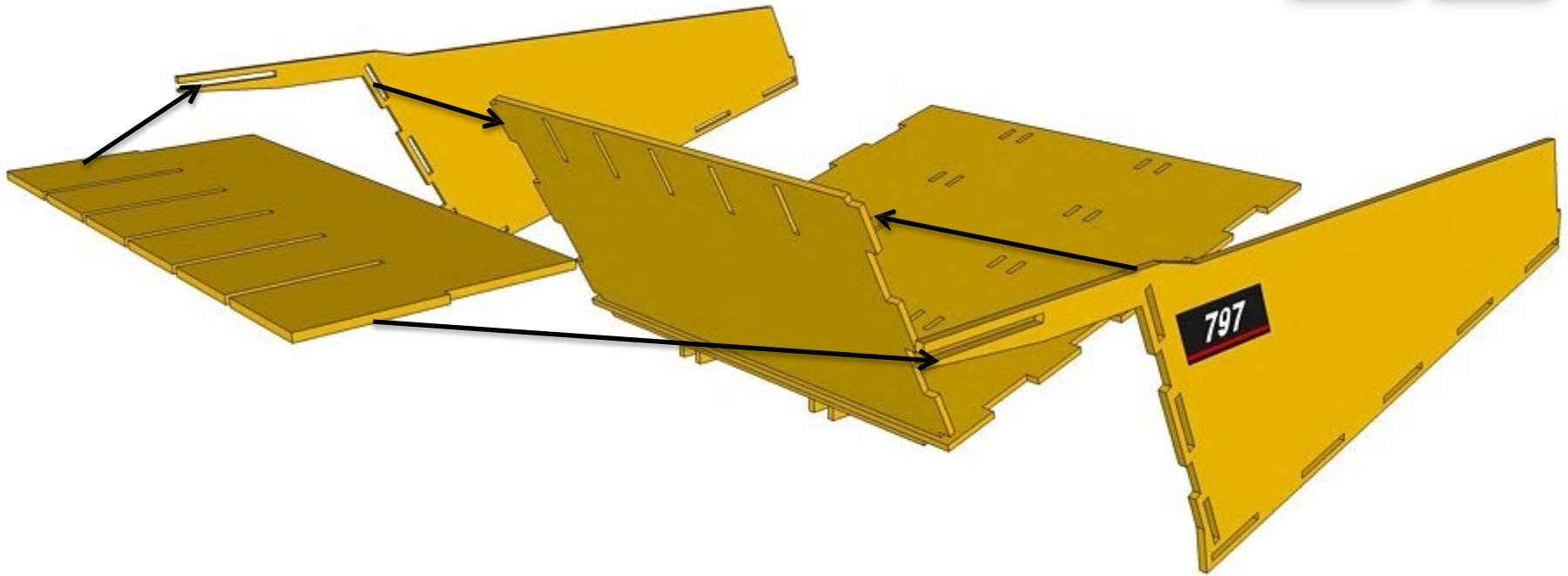
WWW.WOWWE.CO.ZA

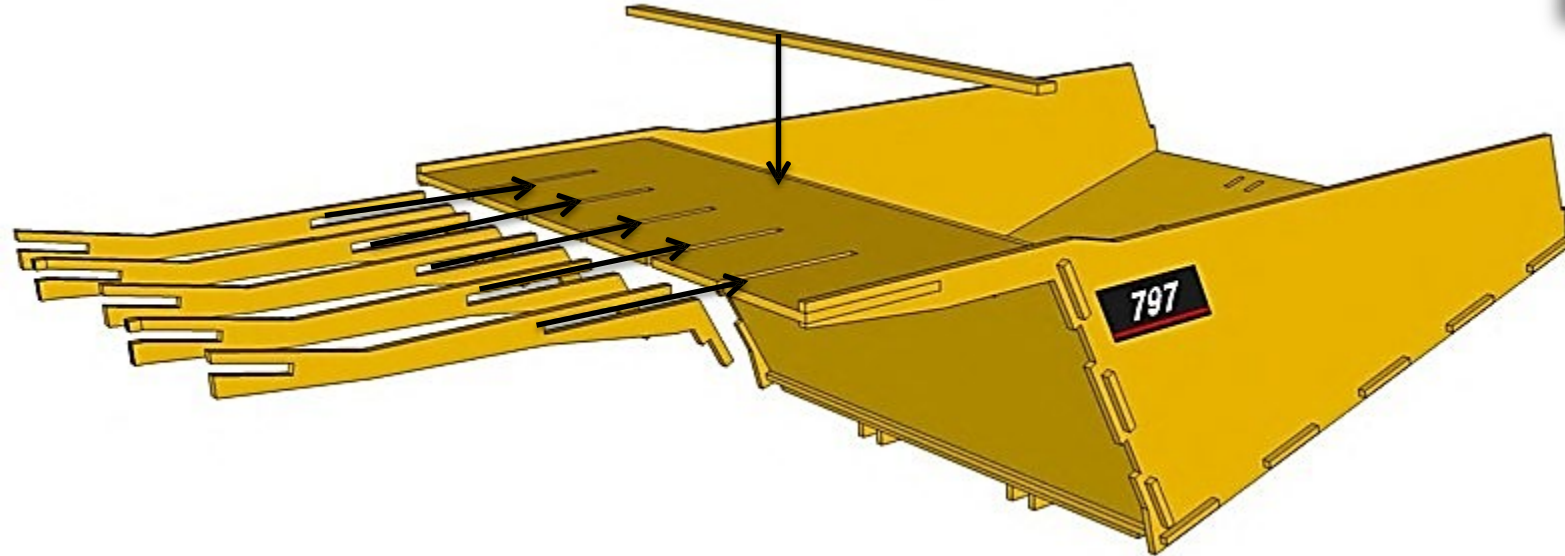


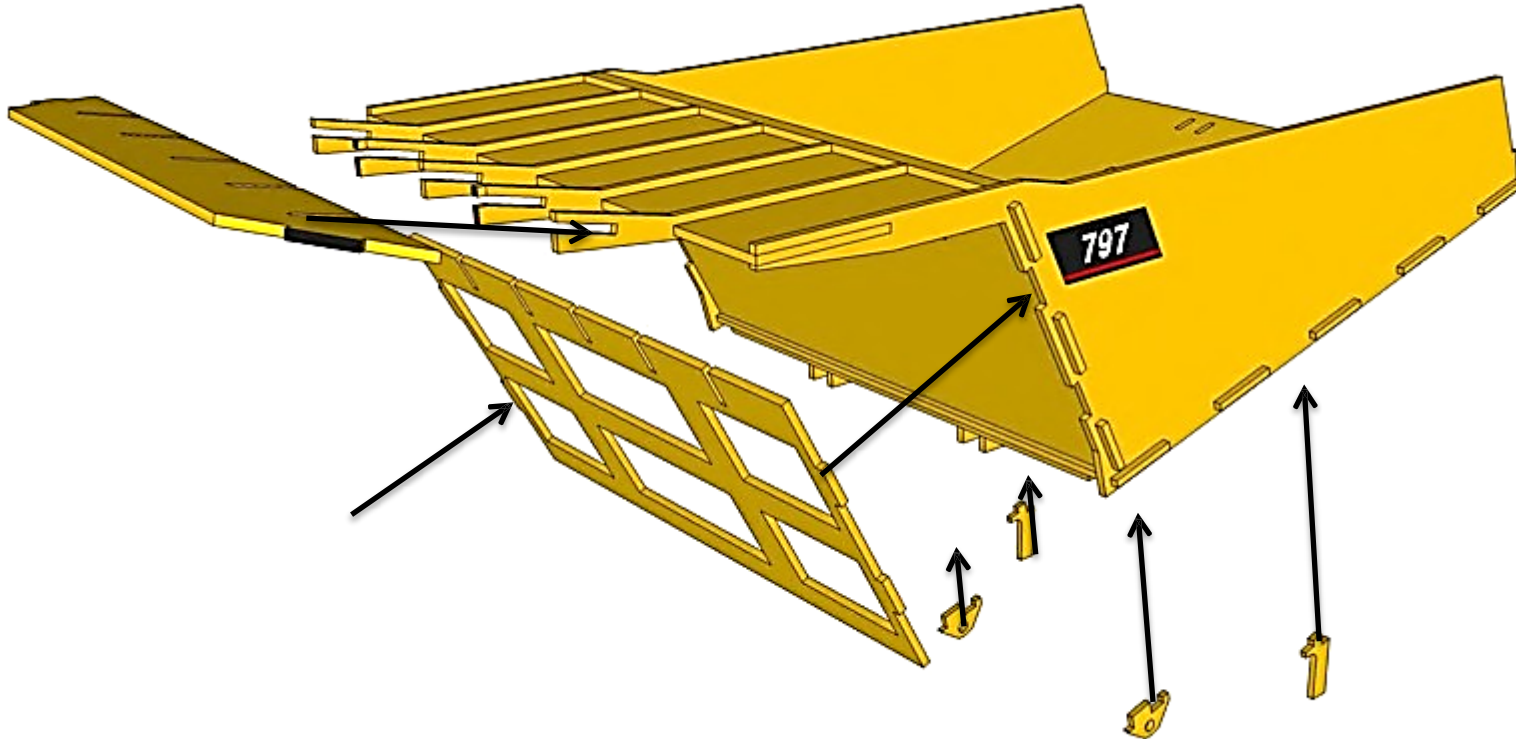
WWW.WOWWE.CO.ZA

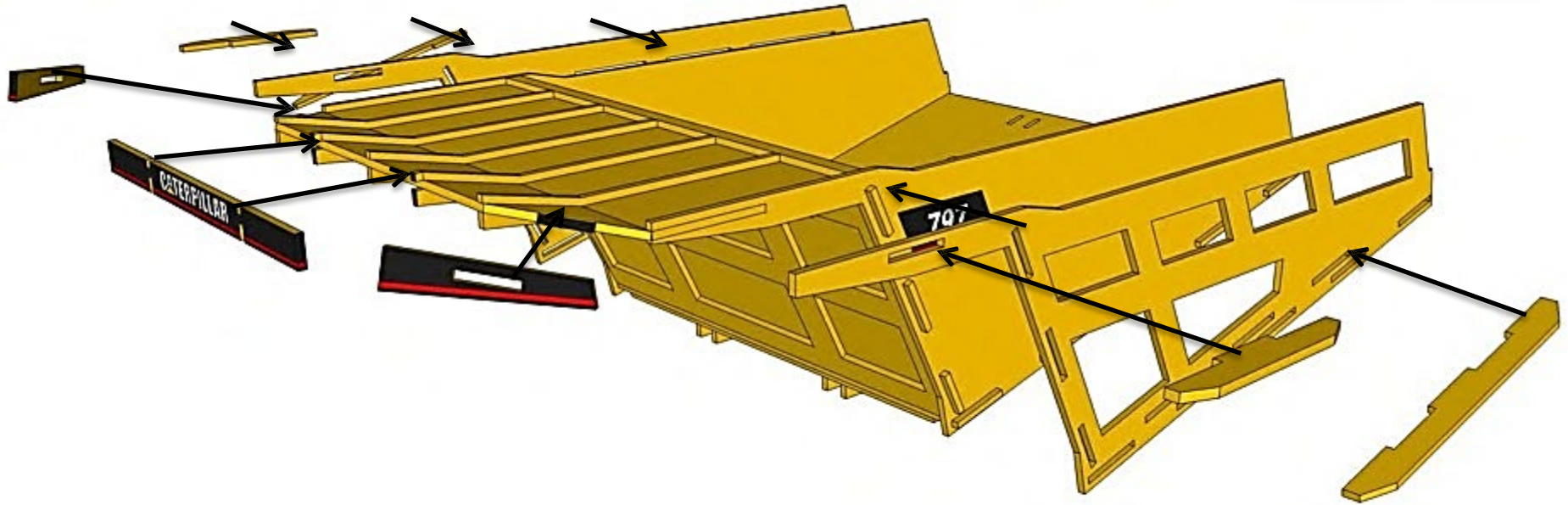


WWW.WOWWE.CO.ZA



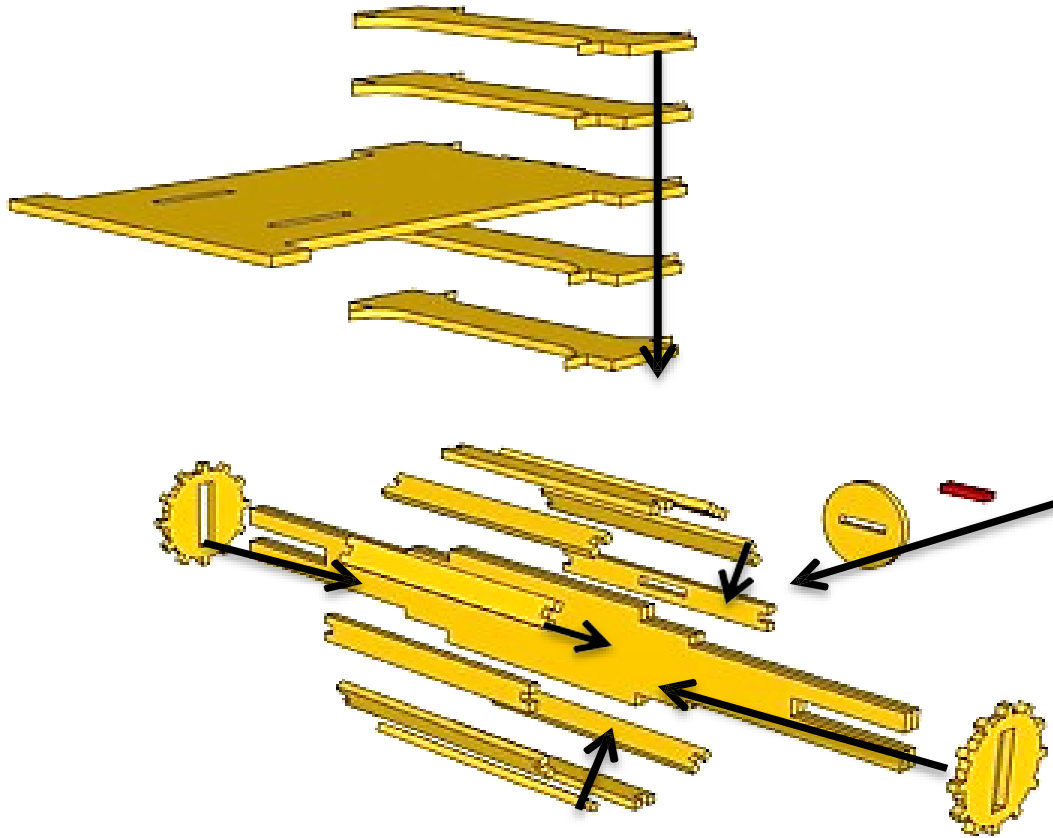


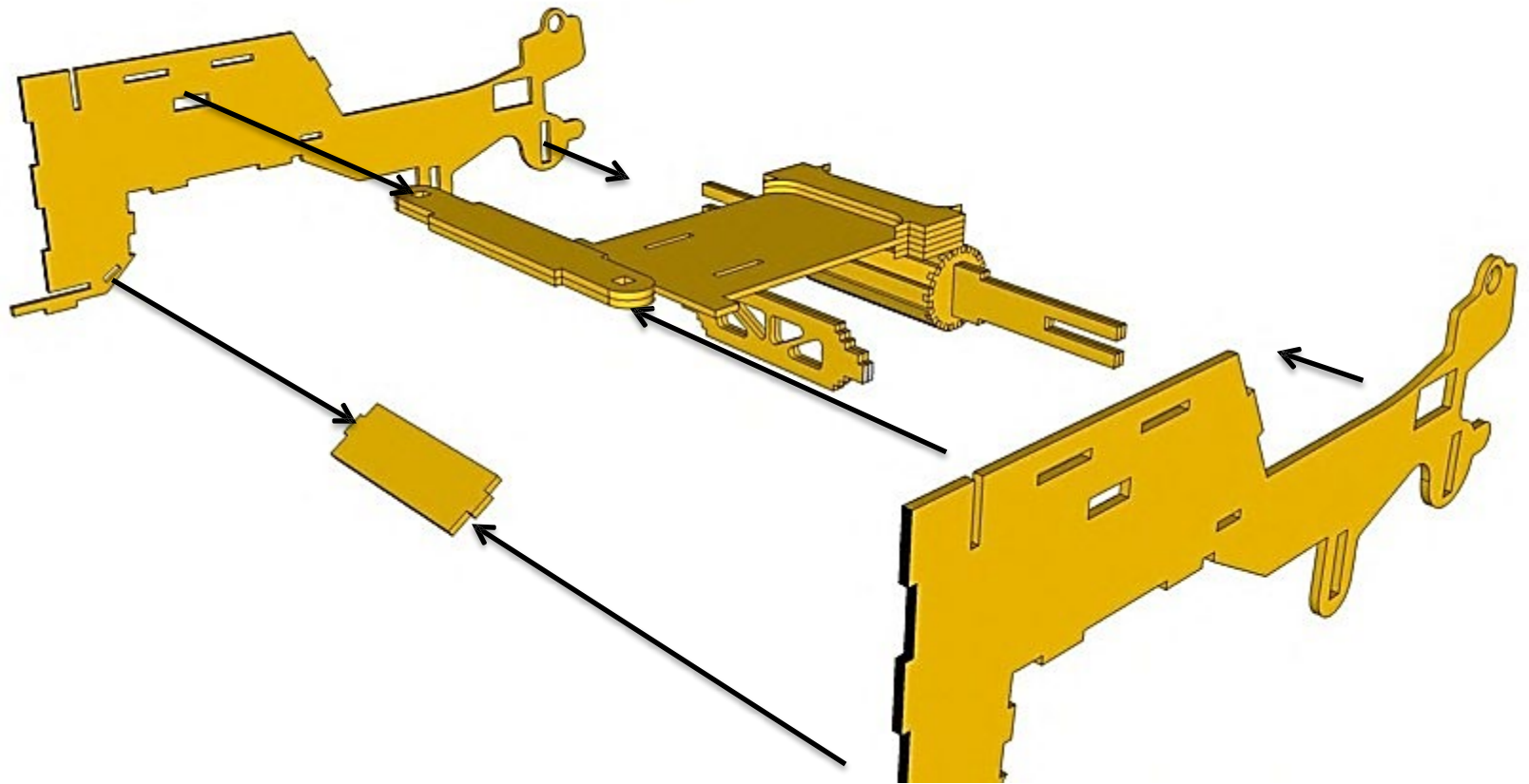




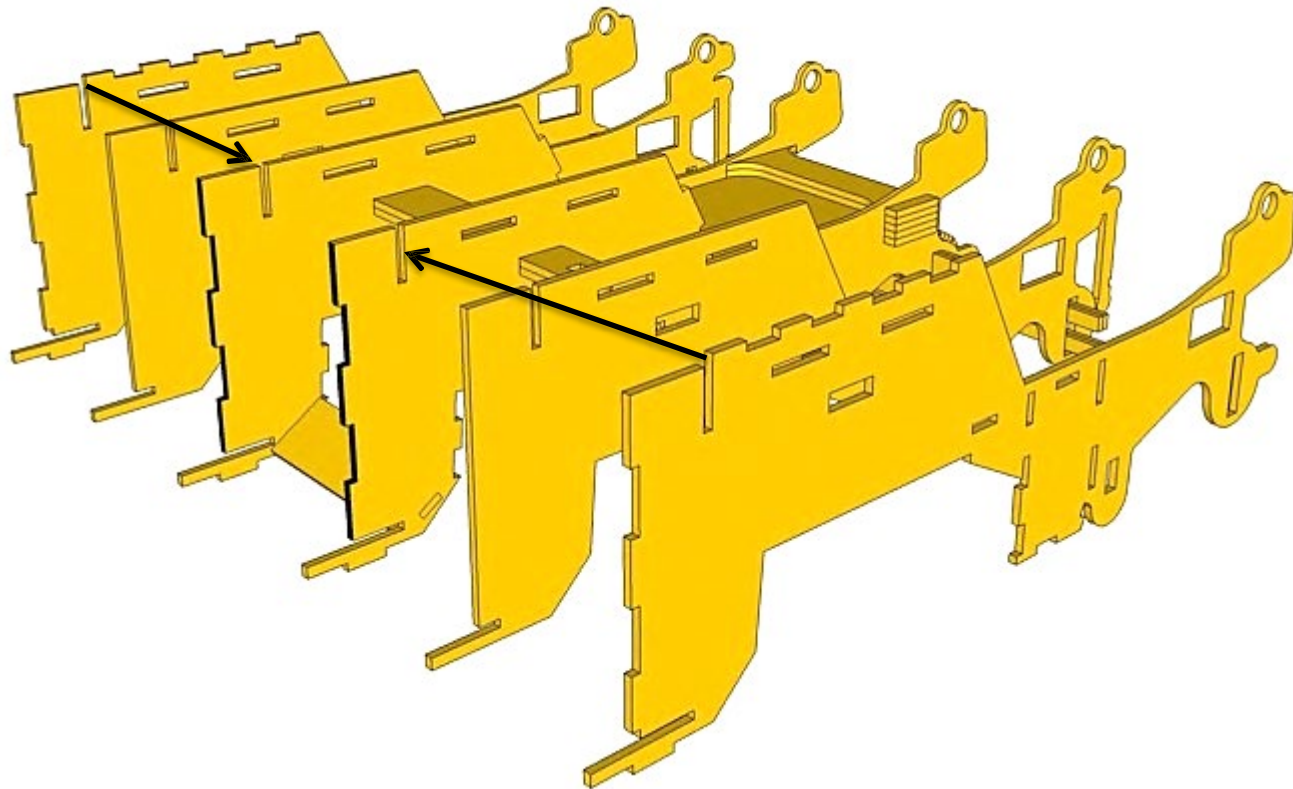


WWW.WOWWE.CO.ZA

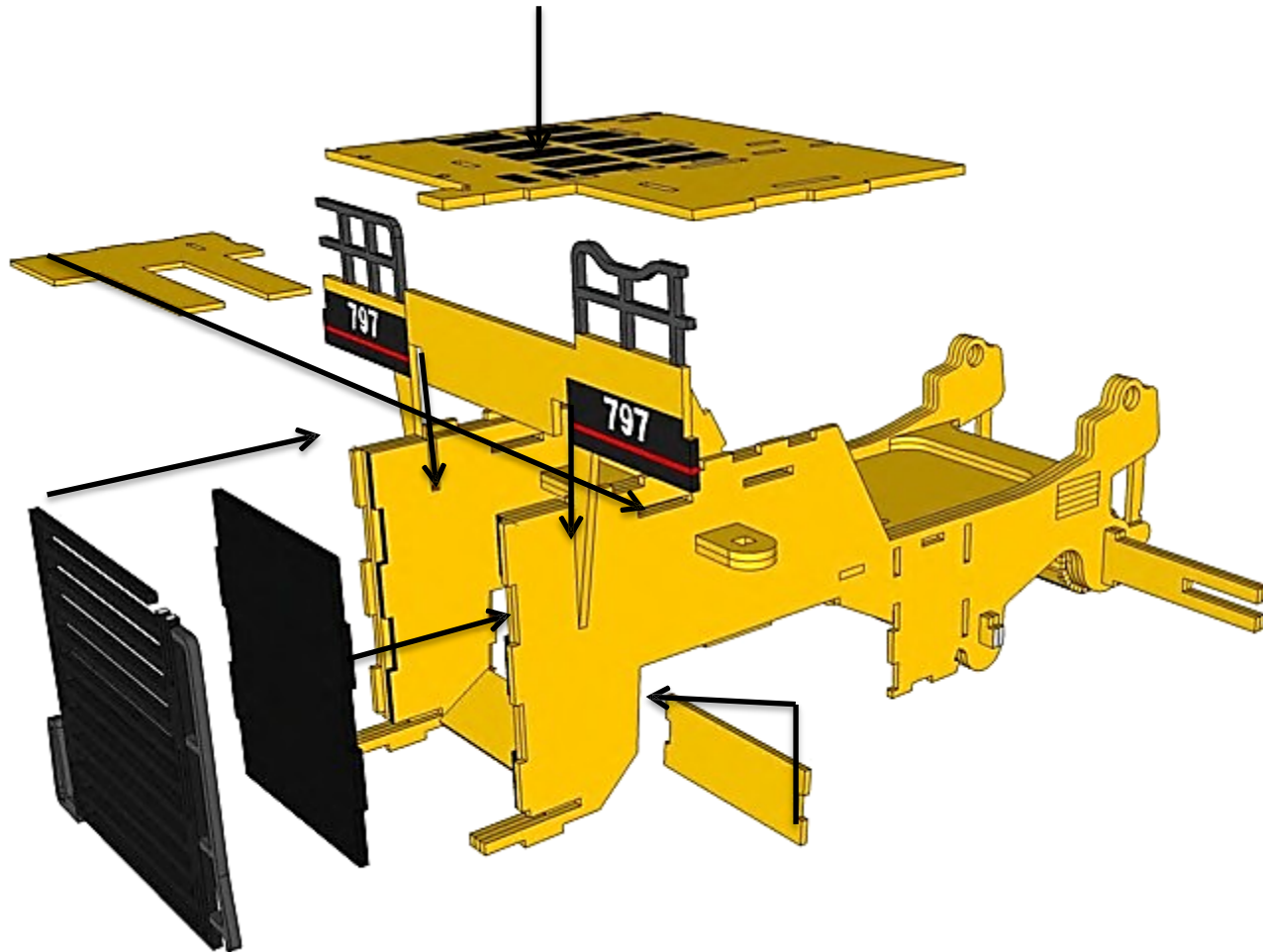




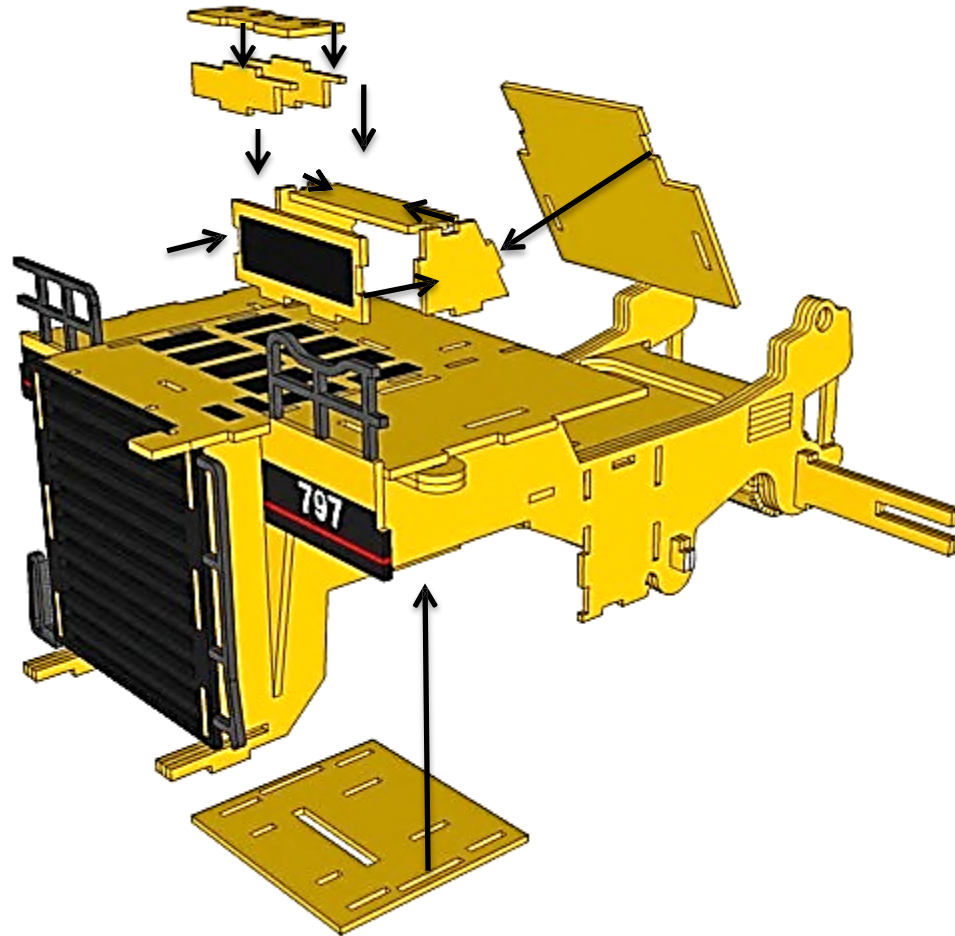
WWW.WOWWE.CO.ZA



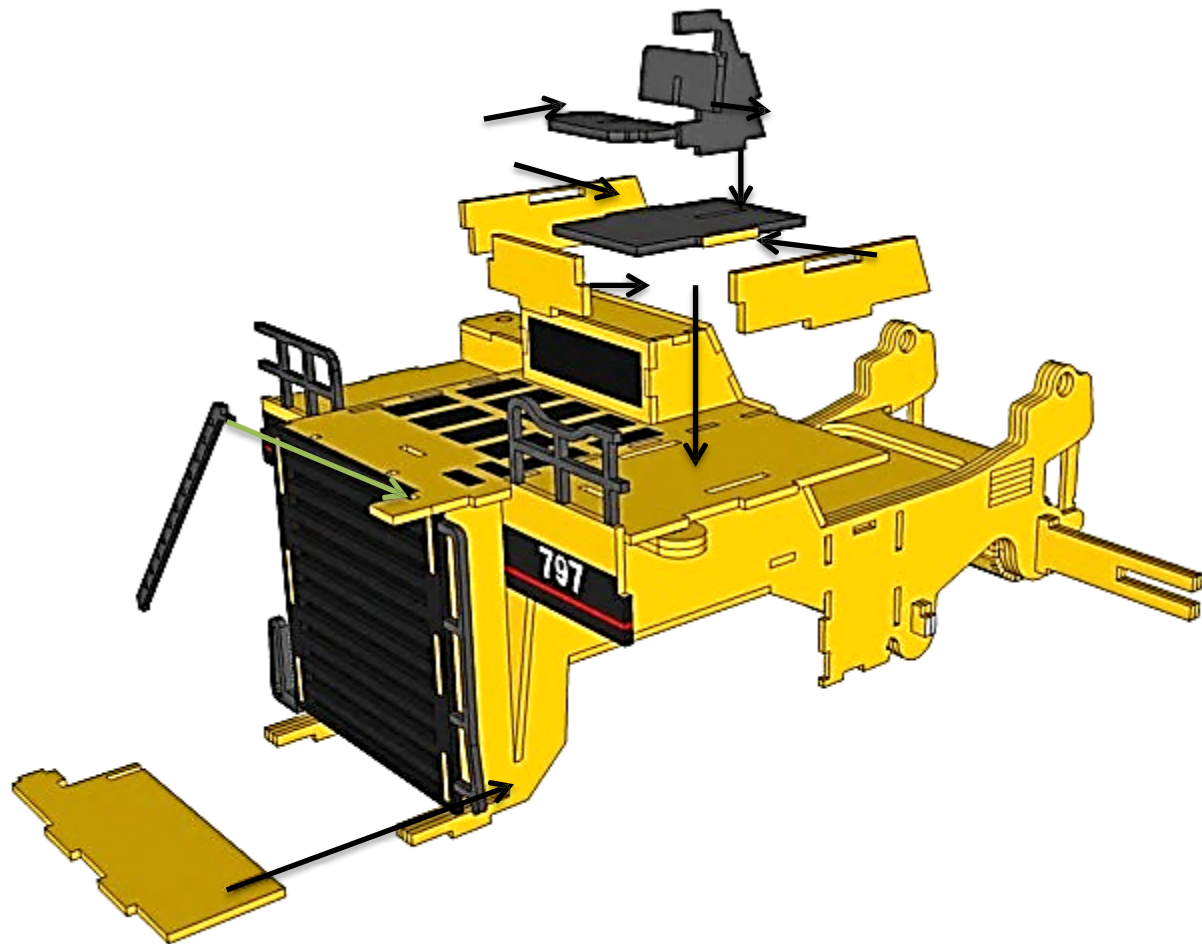
WWW.WOWWE.CO.ZA

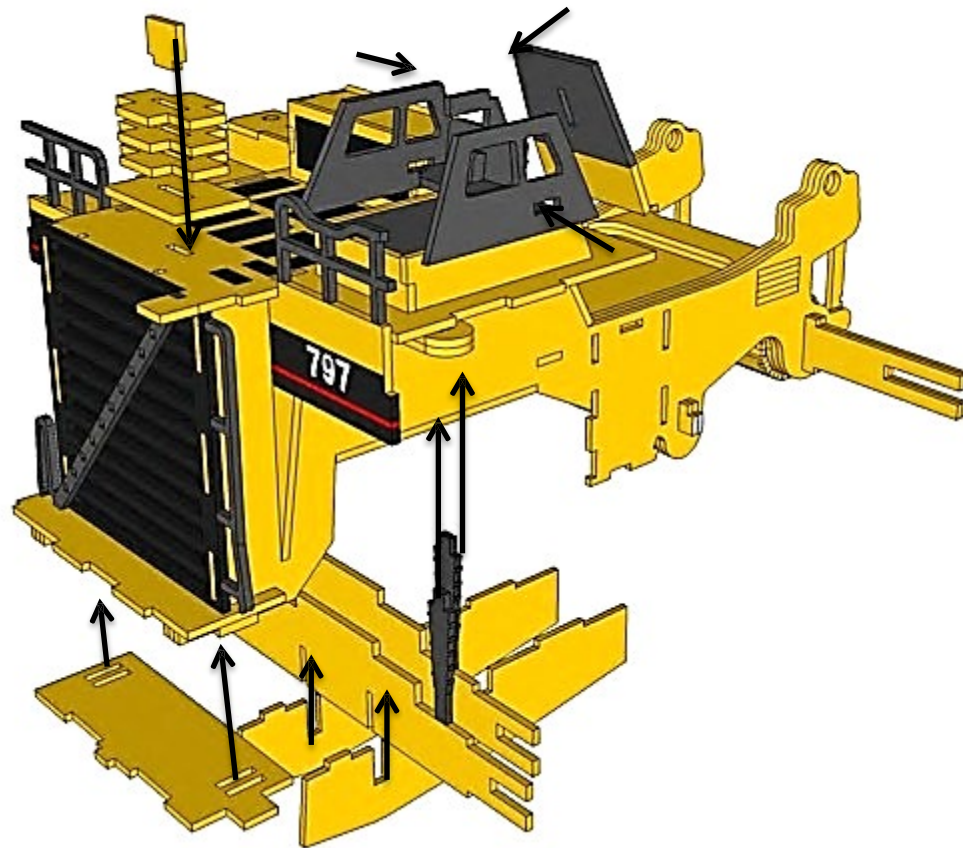


WWW.WOWWE.CO.ZA



WWW.WOWWE.CO.ZA

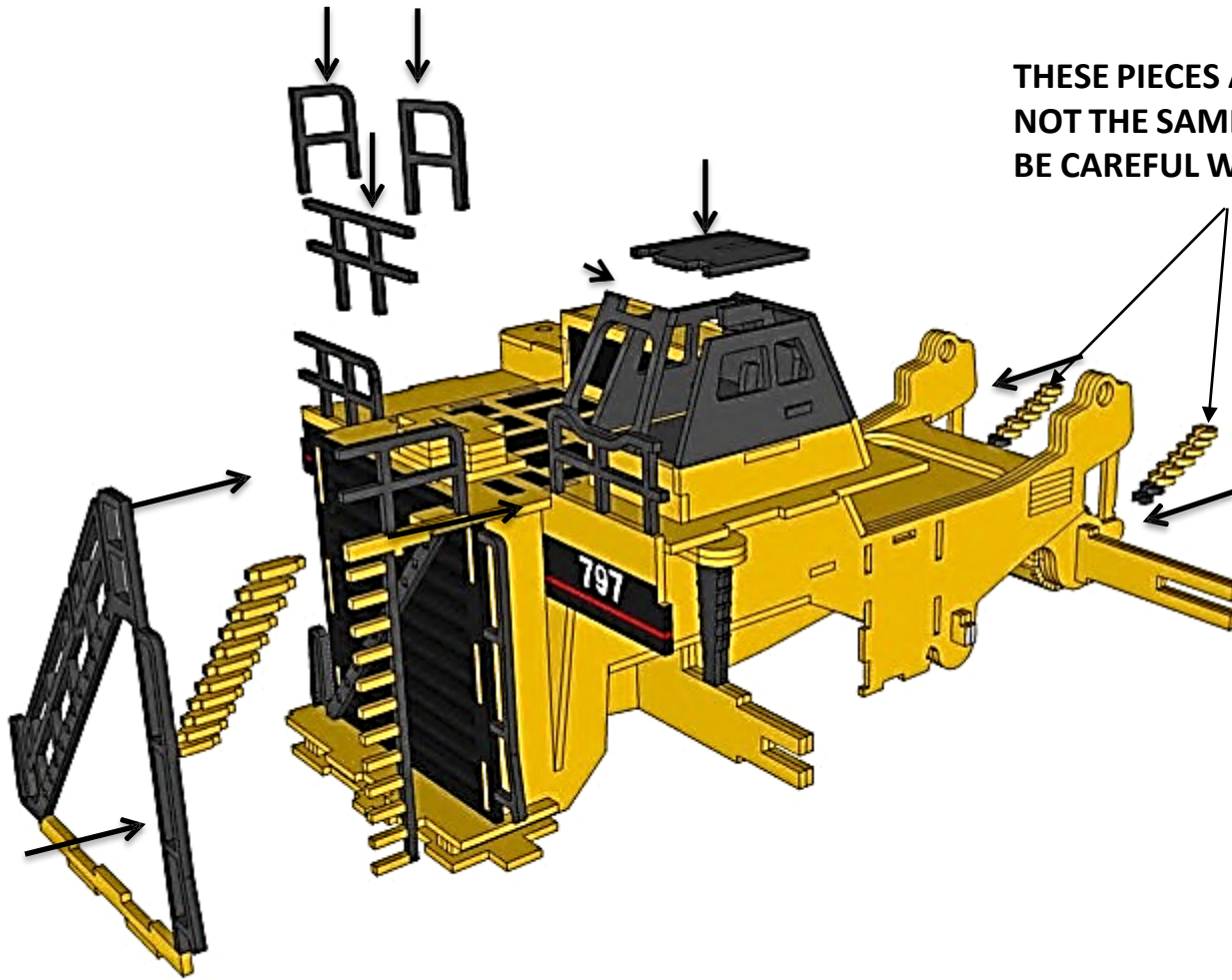




WWW.WOWWE.CO.ZA



THESE PIECES ARE
NOT THE SAME(SMALL DIFFERENCE)
BE CAREFUL WHEN ASSEMBLING







First install the bin
then the wheels

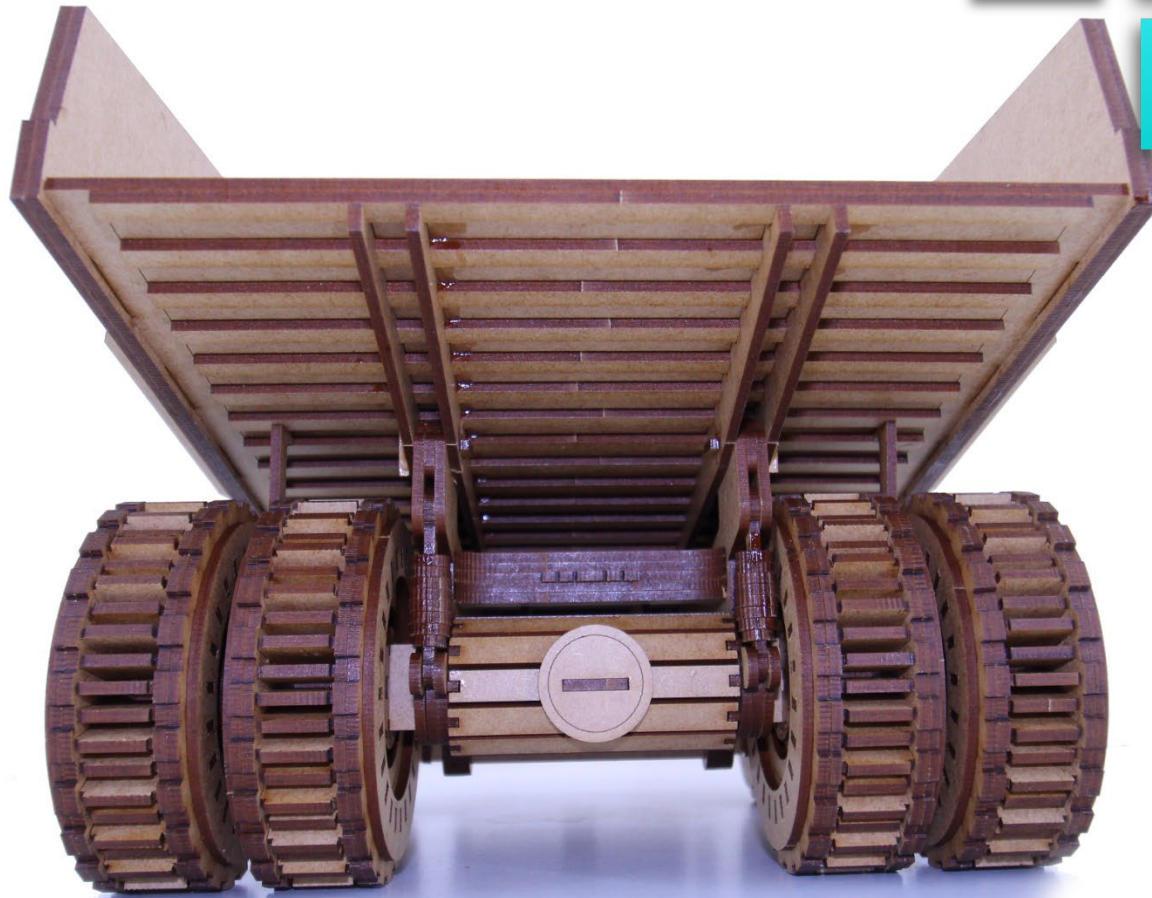


WWW.WOWWE.CO.ZA





WWW.WOWWE.CO.ZA



COMPLETE WWW.WOWWE.CO.ZA