

CAUTION! • CAUTION! • CAUTION! • CAUTION! • CAUTION!

WHOA!!! CAUTION NOT SO FAST

This product is made out of MDF / Supawood and is fragile of nature.

We recommend all pieces to be test fitted and if required contact pieces to be filled / sanded down for a better fit.

**PLEASE DO NOT FORCE FIT ANY PIECES AS IT
WILL BREAK!**

ENJOY BUILDING YOUR NEW MODEL.

WWW.WOWWE.CO.ZA

BILLY BIKE CHOPPER





NOTE:

Same pictures were used from the Easy Rider Bike Assembly Guide.

Because they are the same bike, except for some changes to some of the parts:

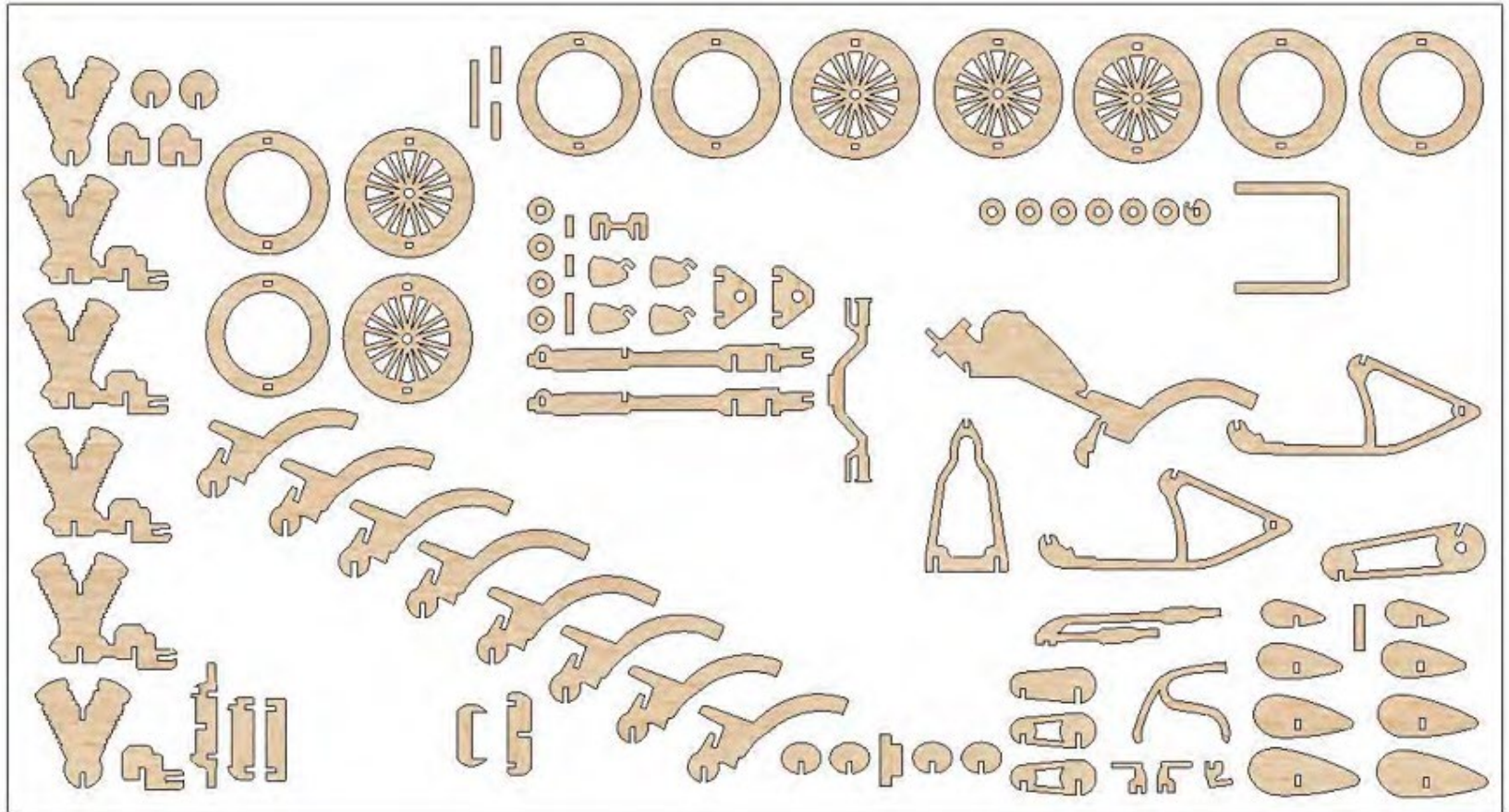
- New handle bars.
- New backrest bar.
- New seat.
- New muffler pipes.
- New wheels.

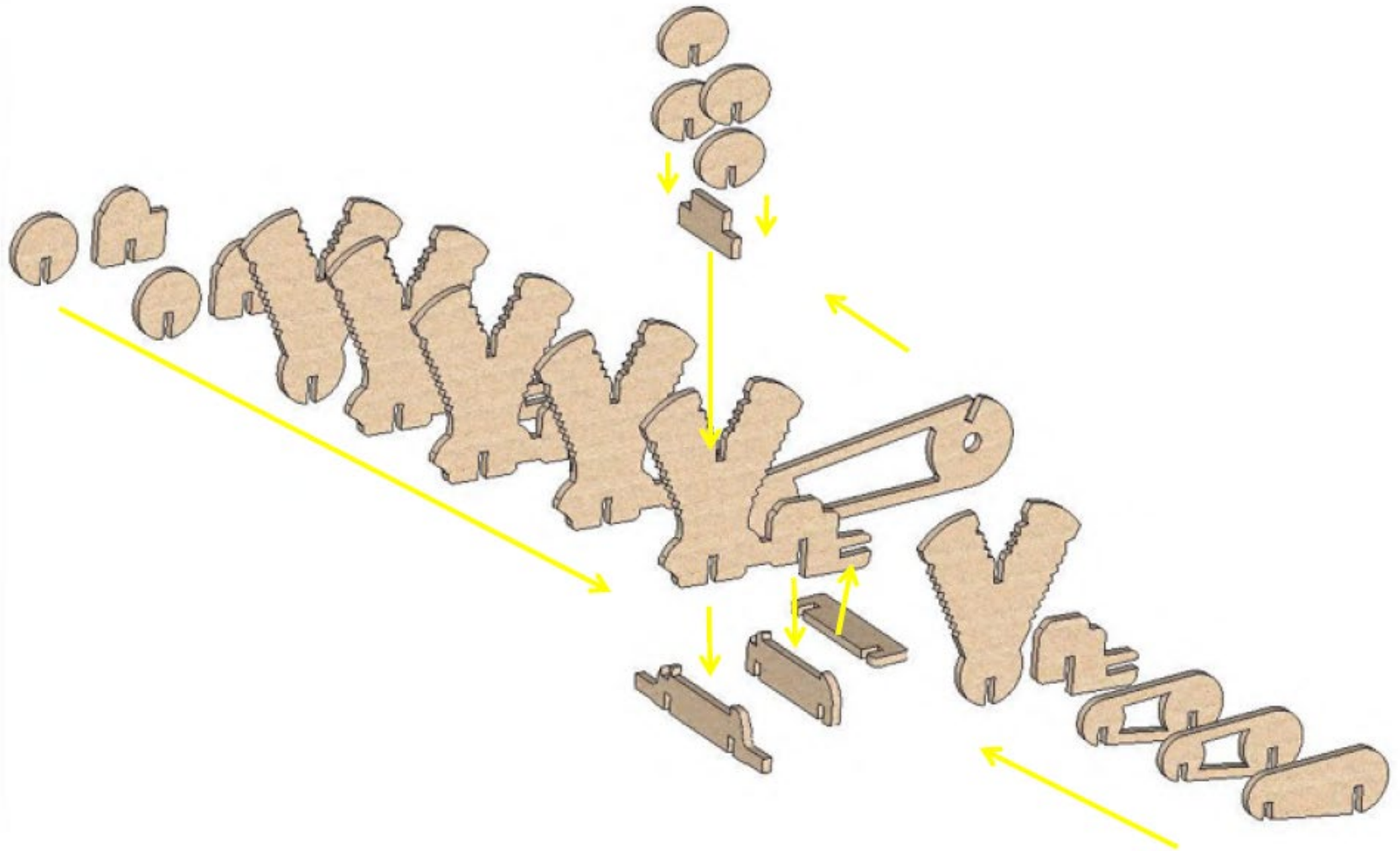
All parts are interchangeable for both bikes.

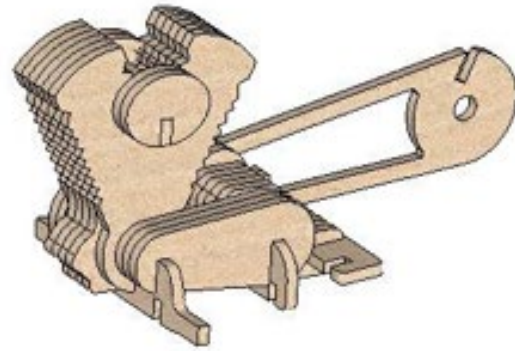
For this bike we updated the backrest to be longer with additional slide in detail around the wheel shaft for a better fit.

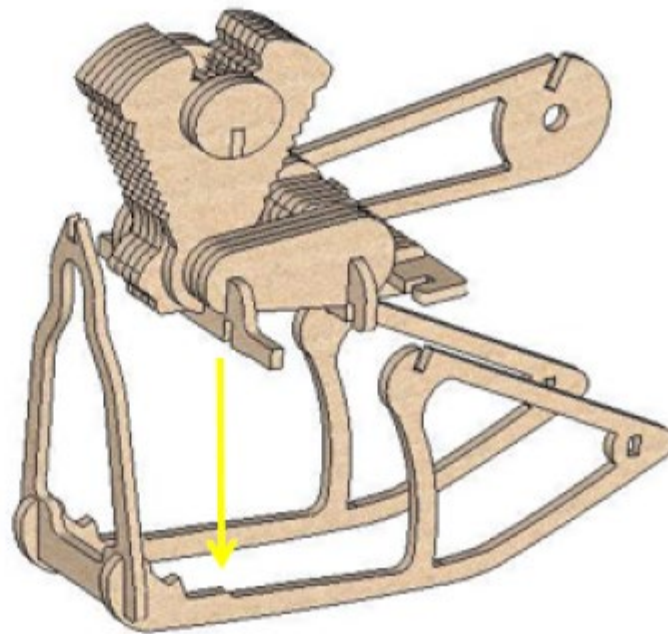
PLEASE DRY FIT ALL PARTS BEFORE ADDING ANY GLUE, CONFIRM ASSEMBLY SEQUENCE, THEN GLUE / FINAL ASSEMBLE

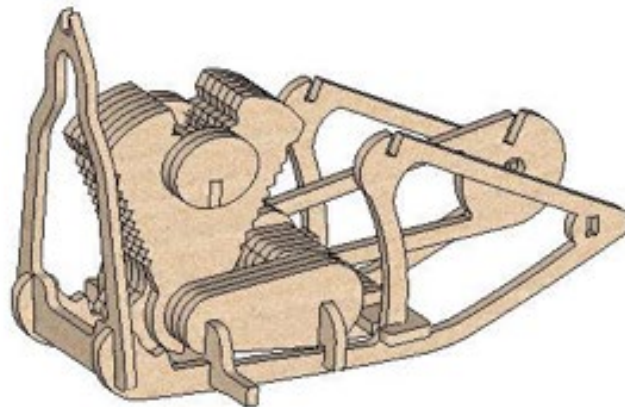
Full quality pictures at www.wowwe.co.za, assisting with the assembly.

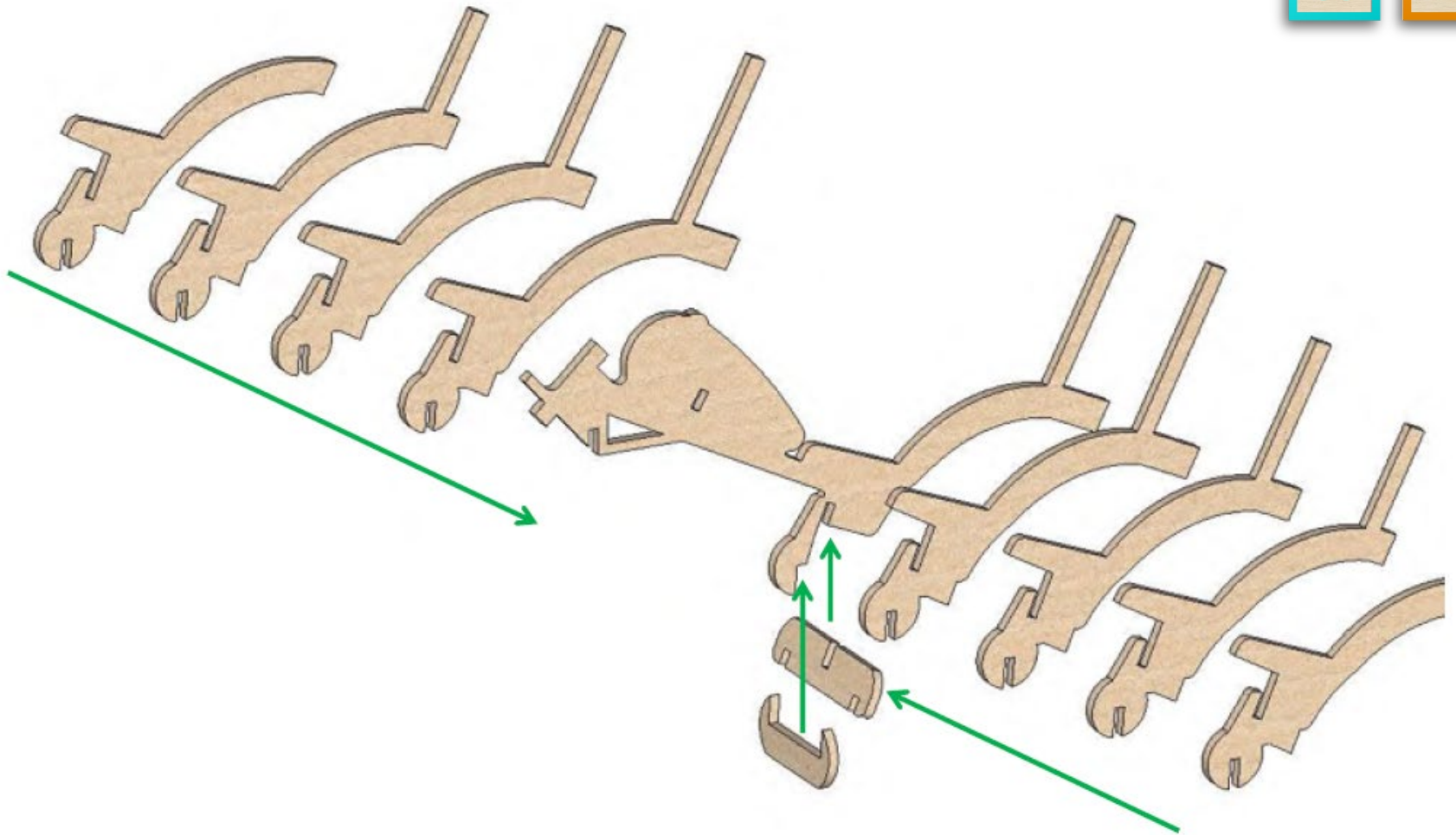


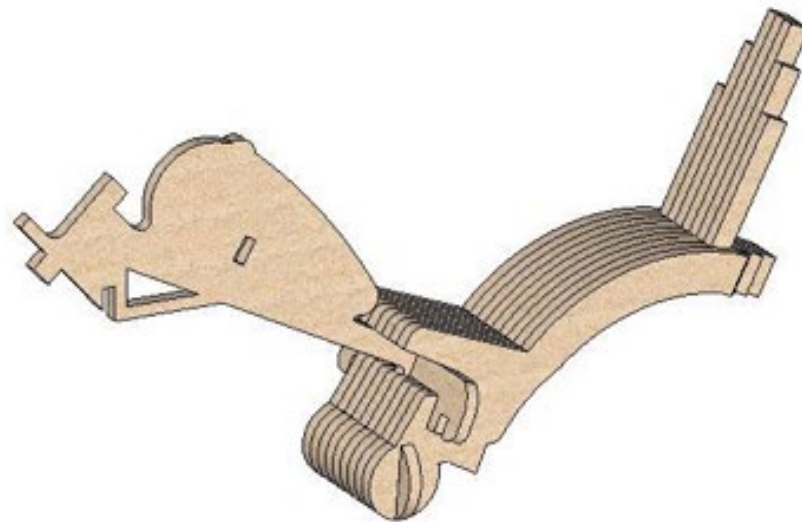


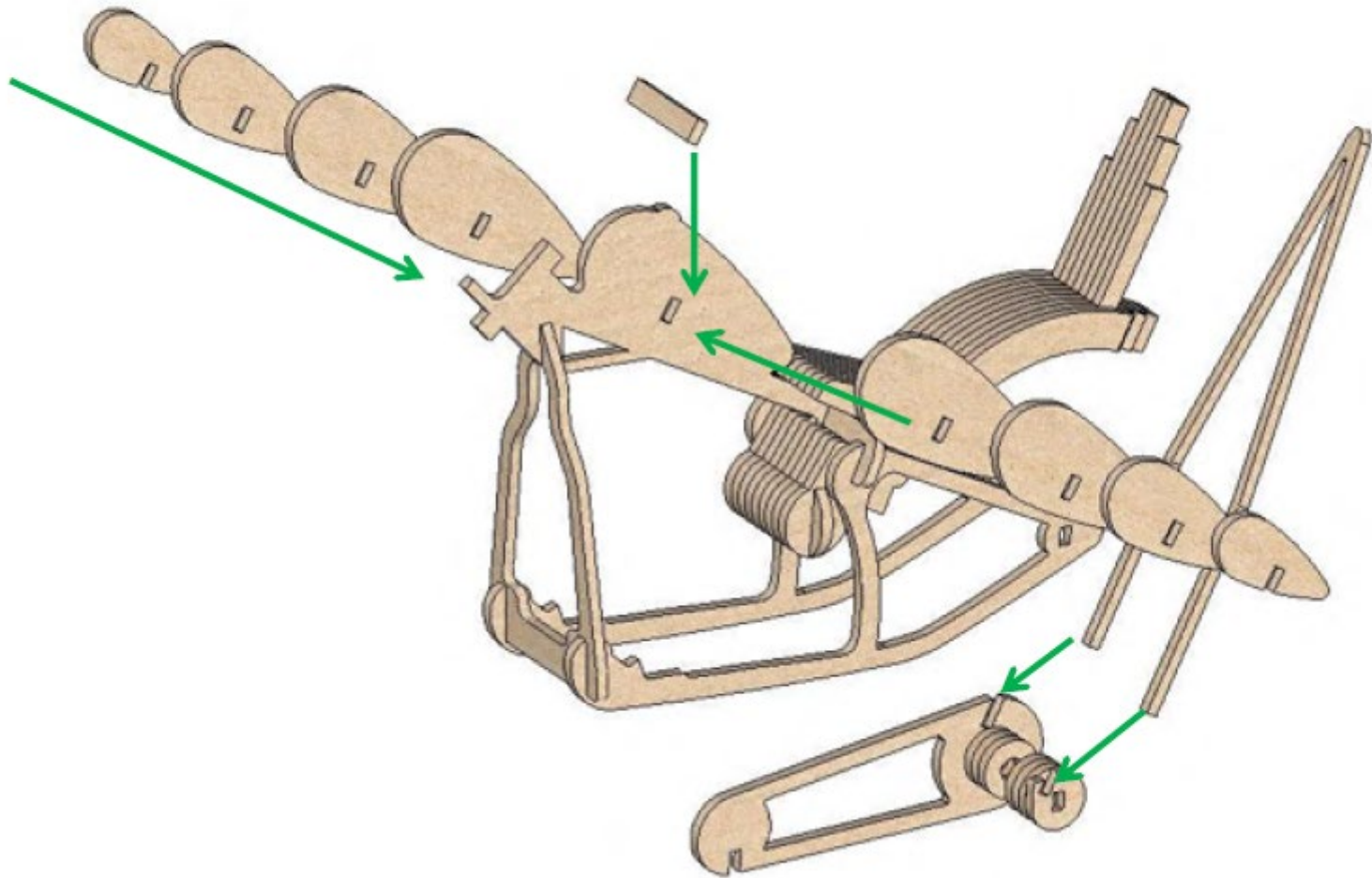


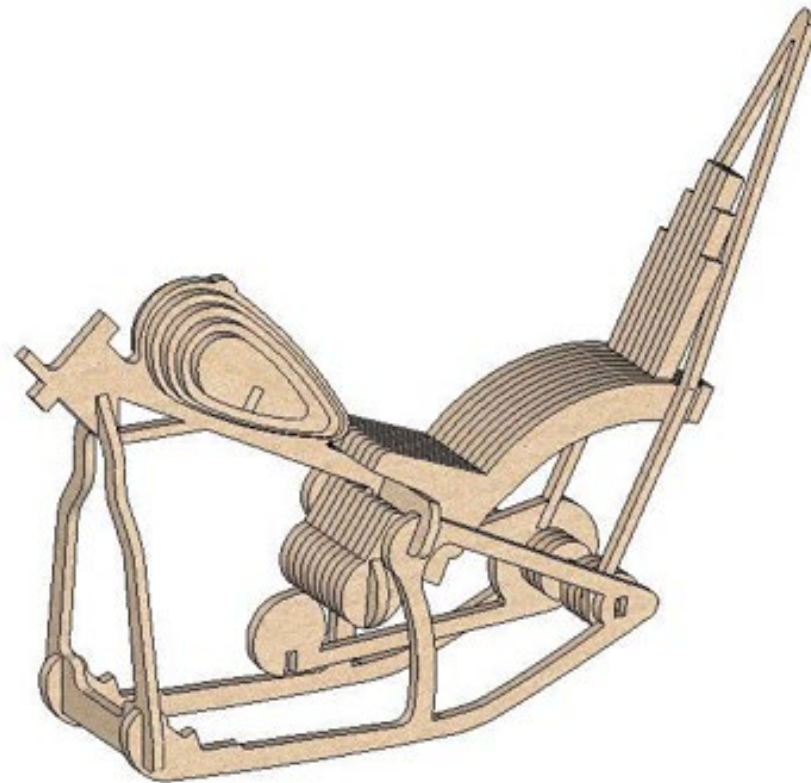


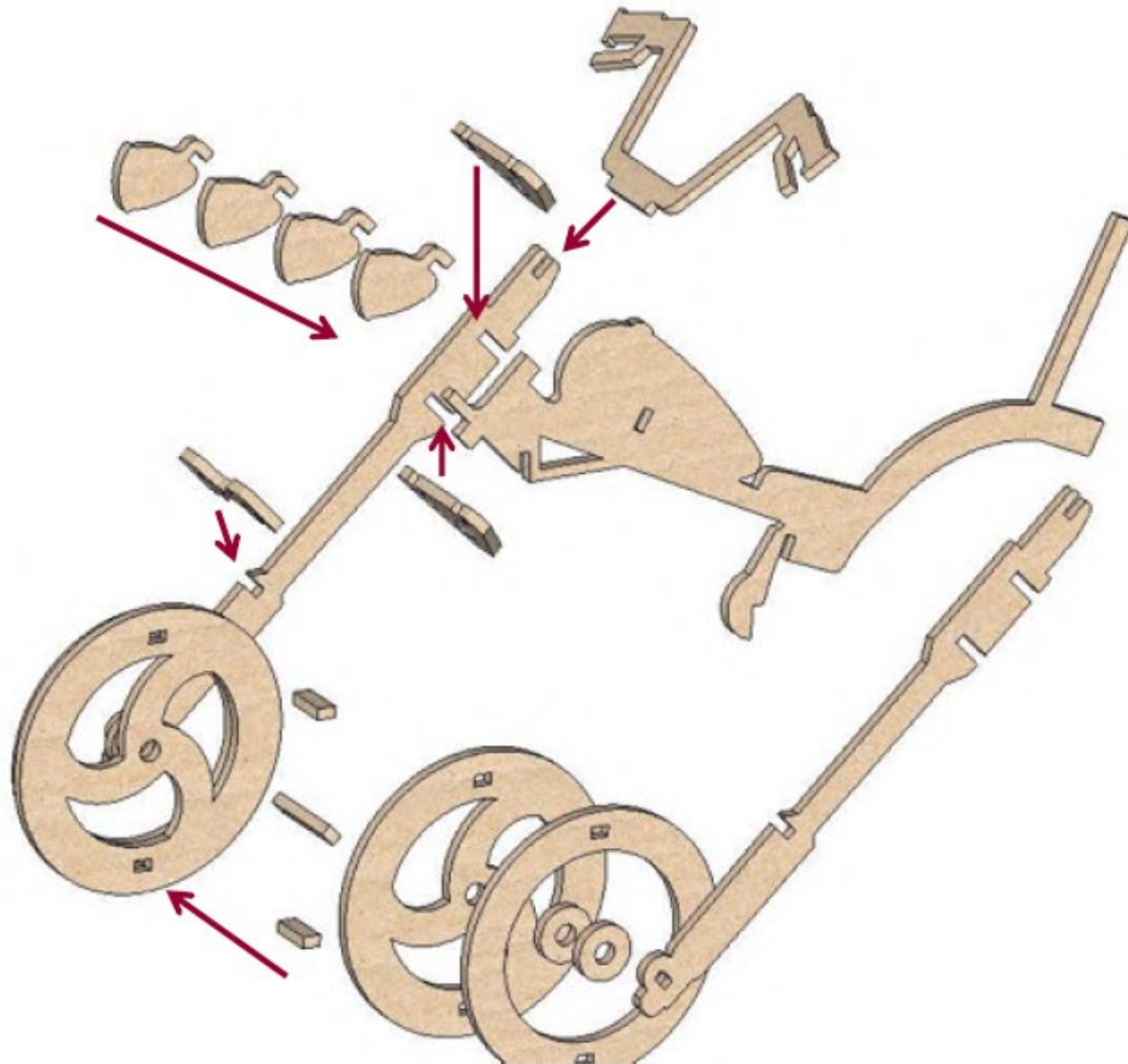


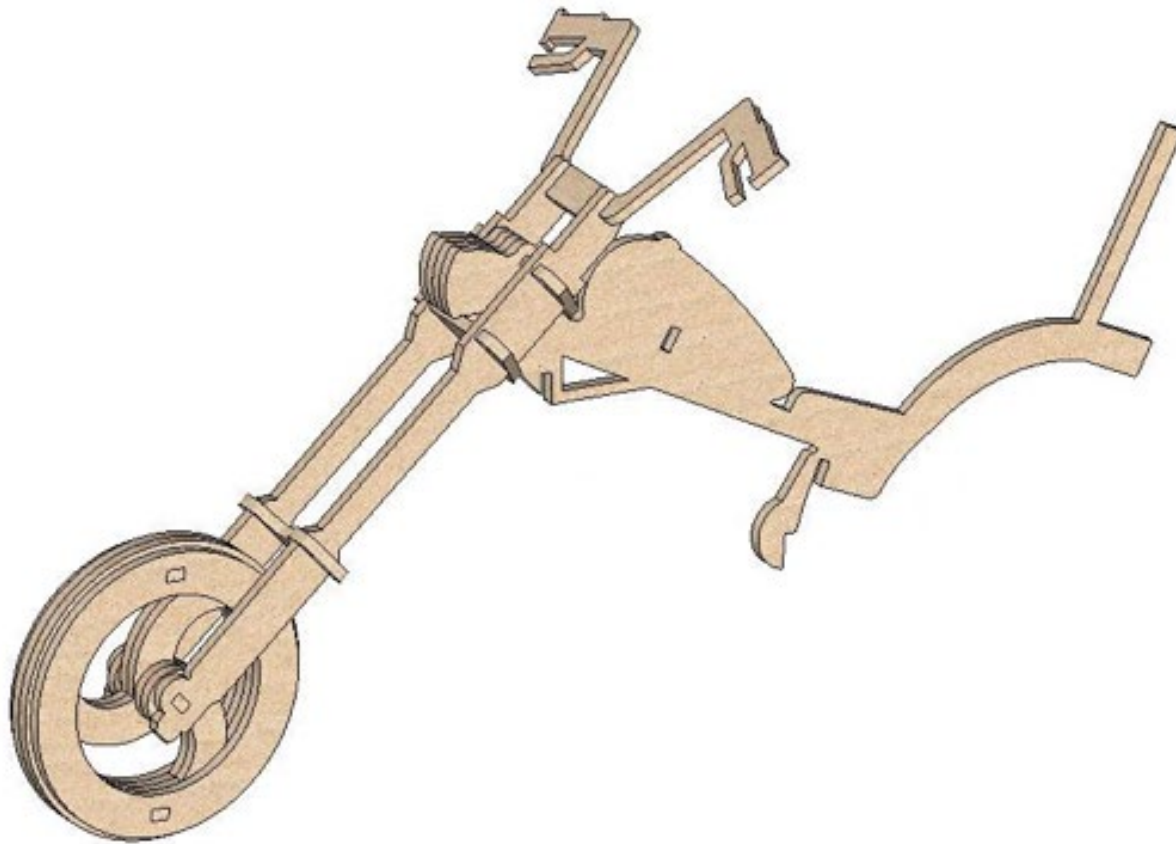


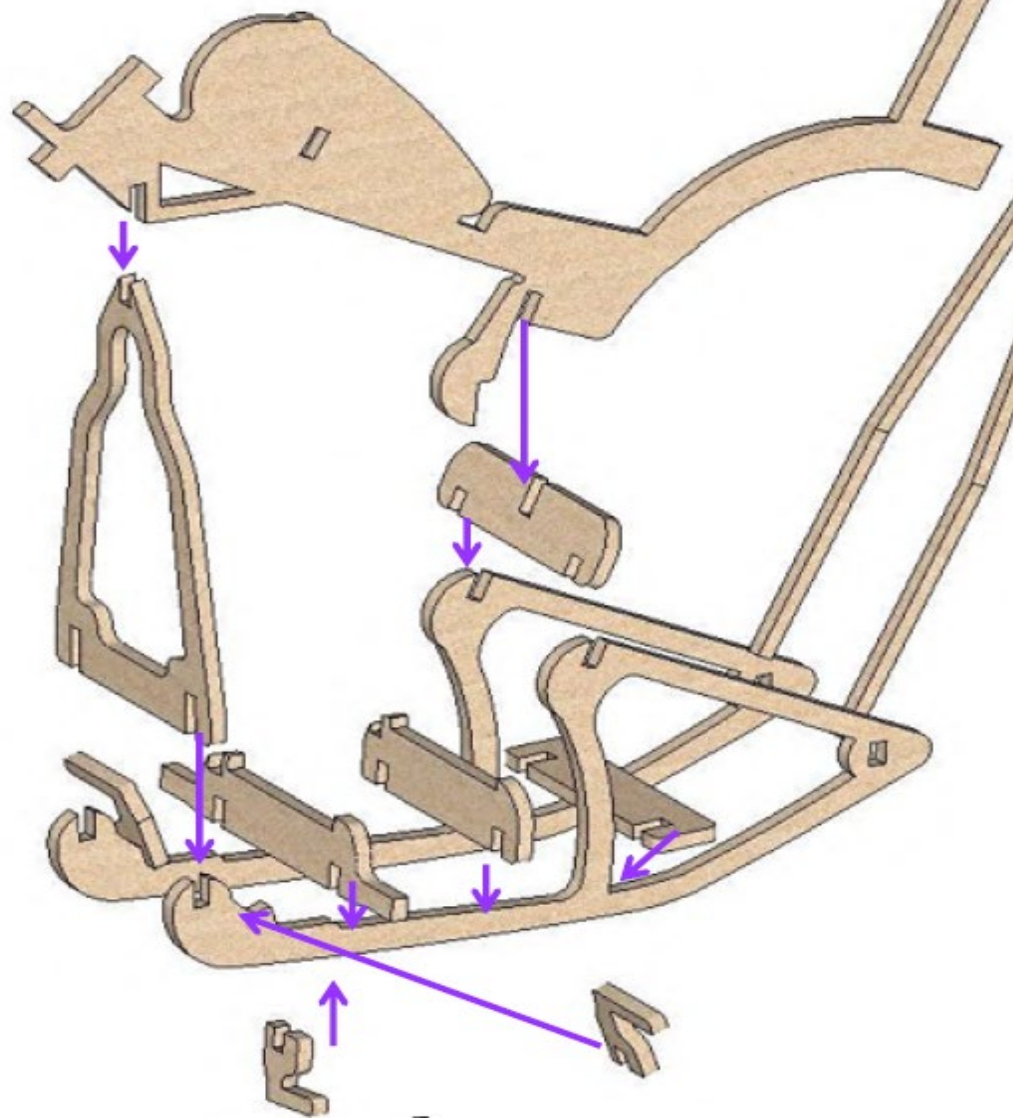




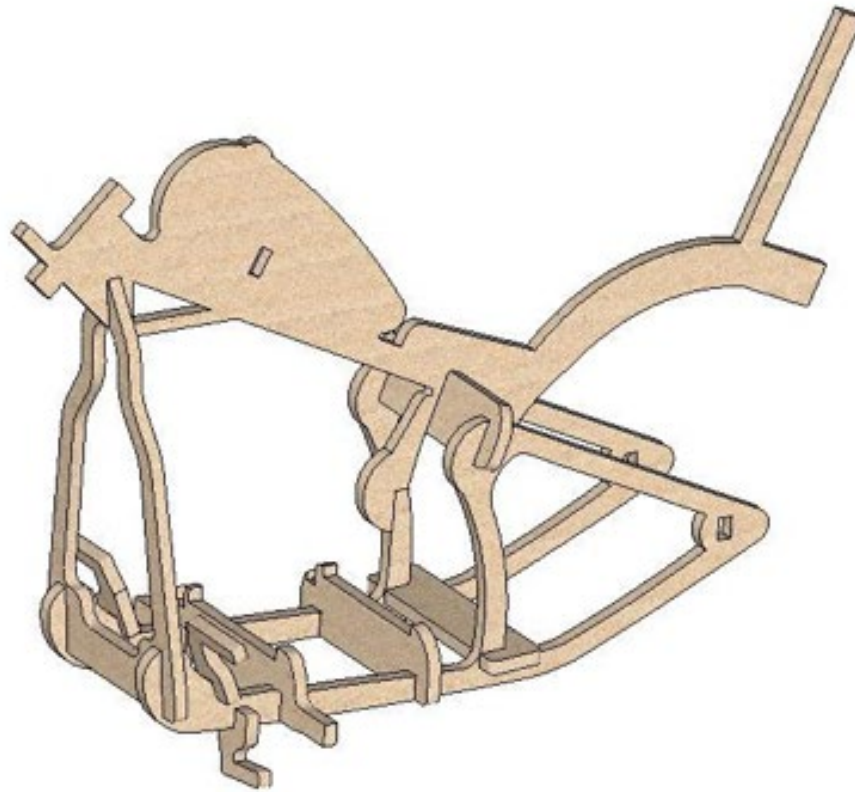


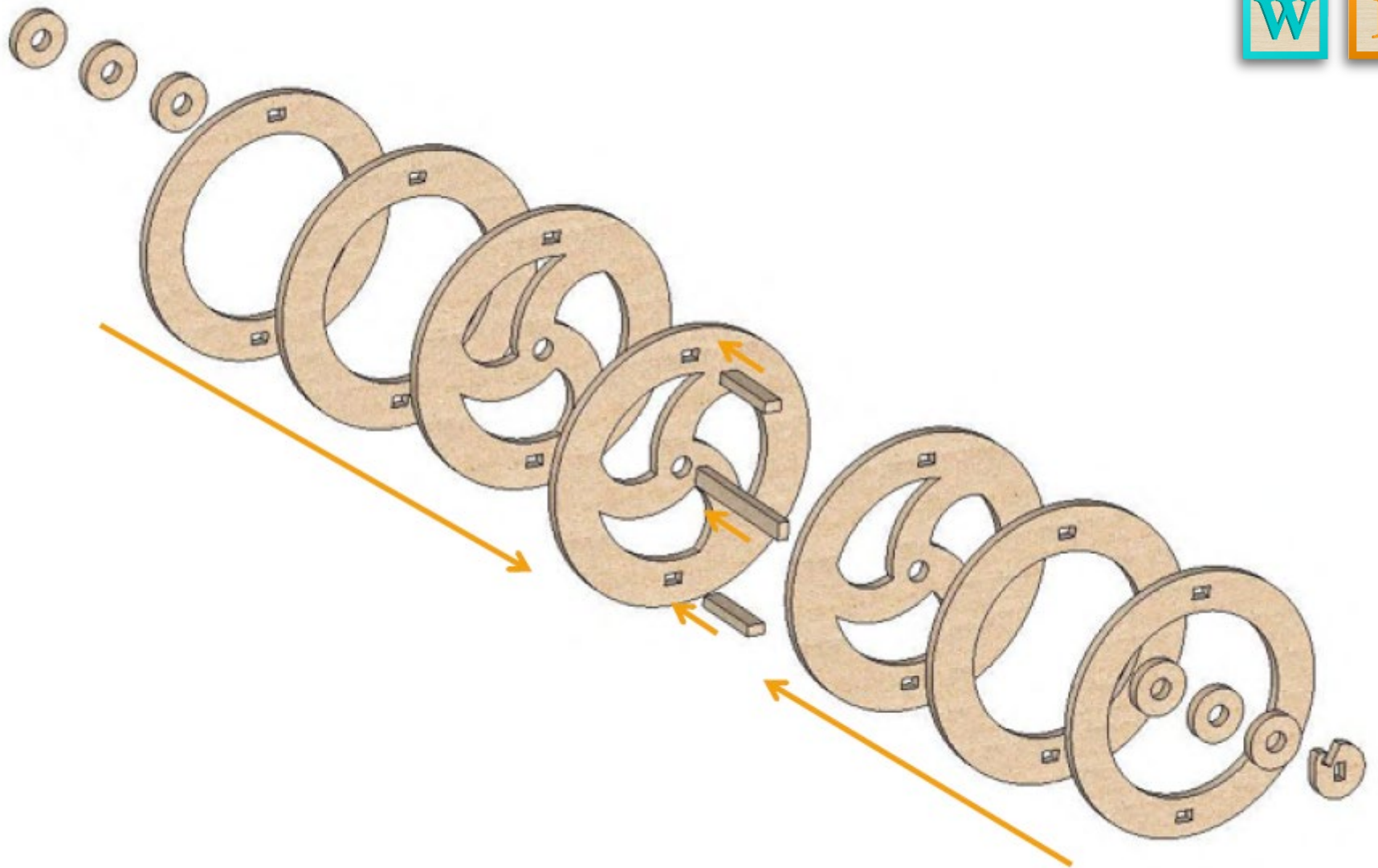




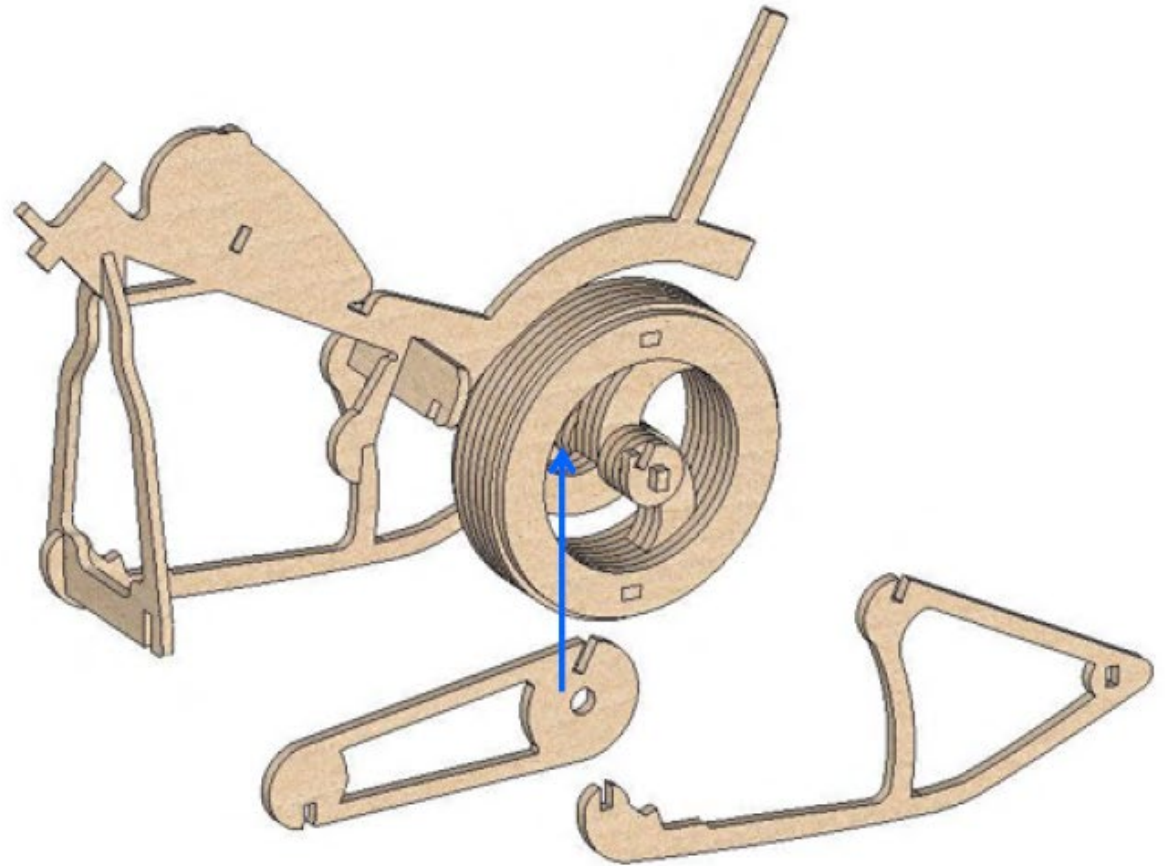


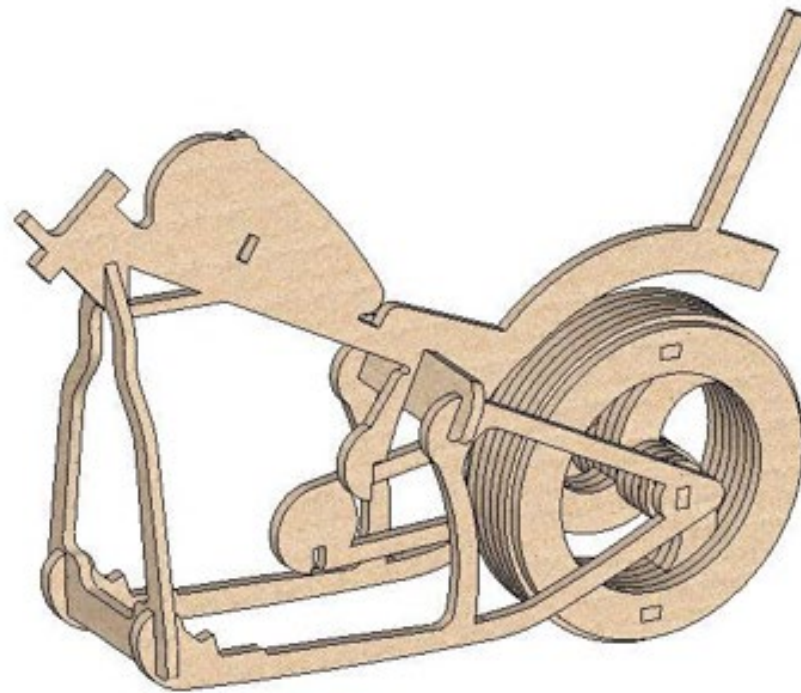
WWW.WOWWE.CO.ZA

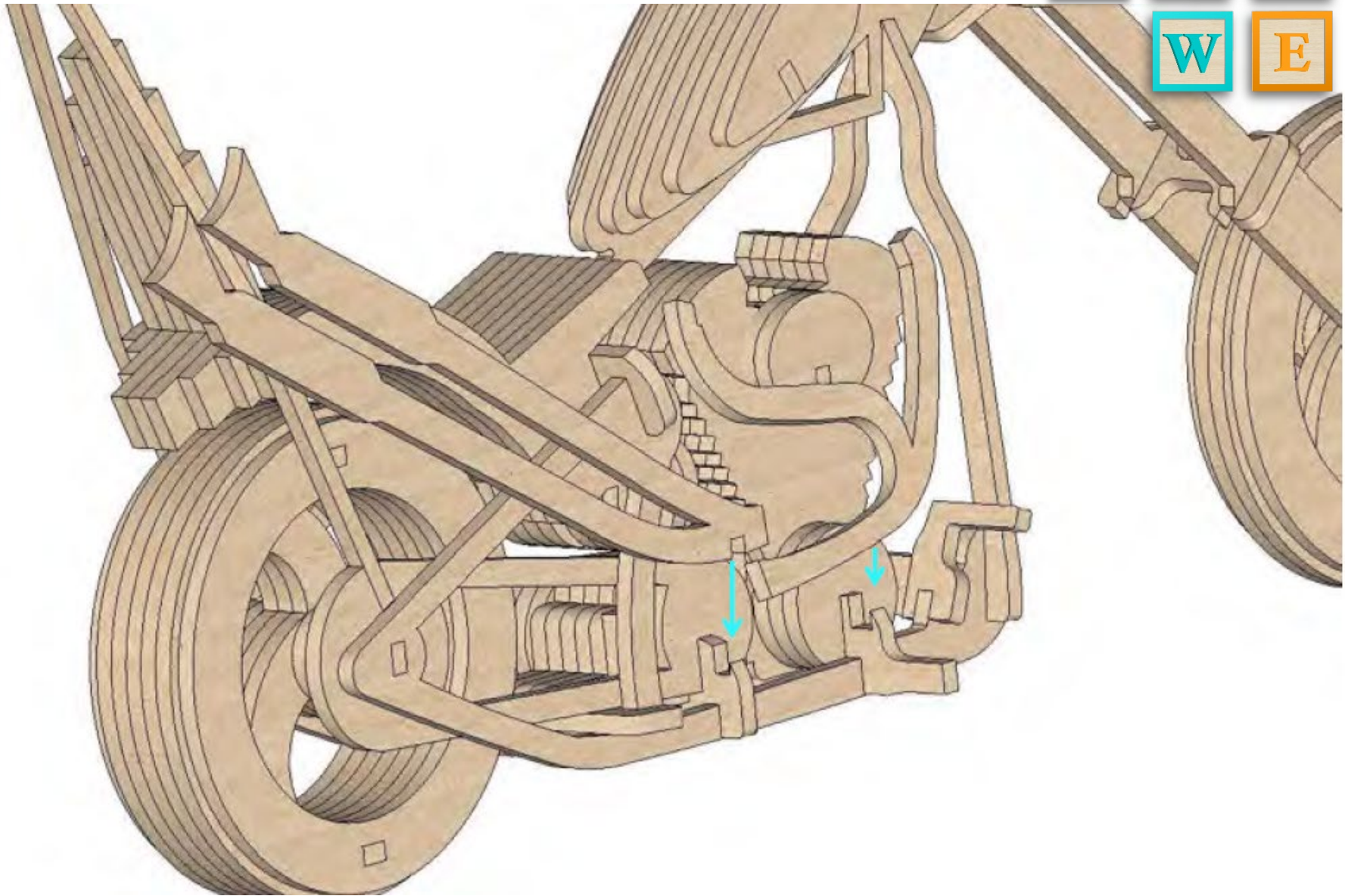


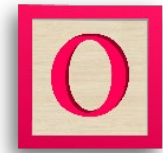












WWW.WOWWE.CO.ZA