

**CAUTION! • CAUTION! • CAUTION! • CAUTION! • CAUTION!**

# **WHOA!!! CAUTION NOT SO FAST**

This product is made out of MDF / Supawood and is fragile of nature.

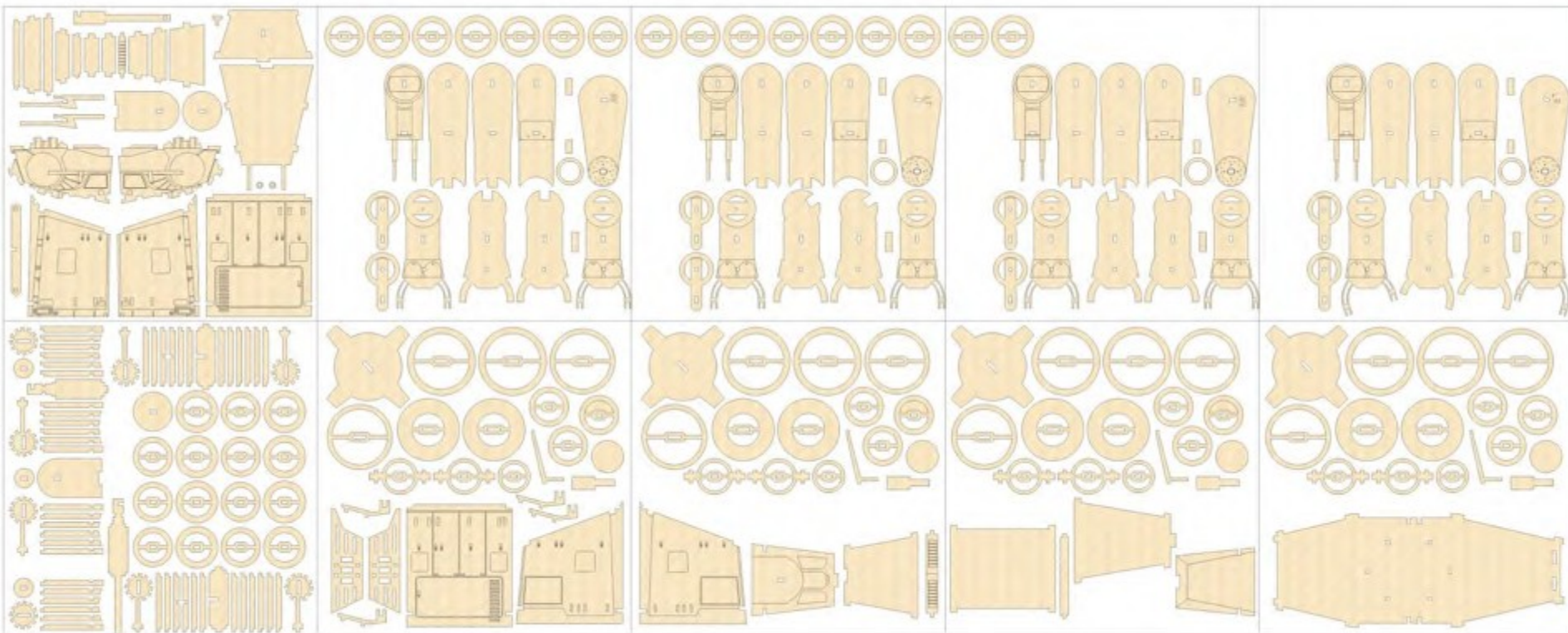
We recommend all pieces to be test fitted and if required contact pieces to be filled / sanded down for a better fit.

**PLEASE DO NOT FORCE FIT ANY PIECES AS IT  
WILL BREAK!**

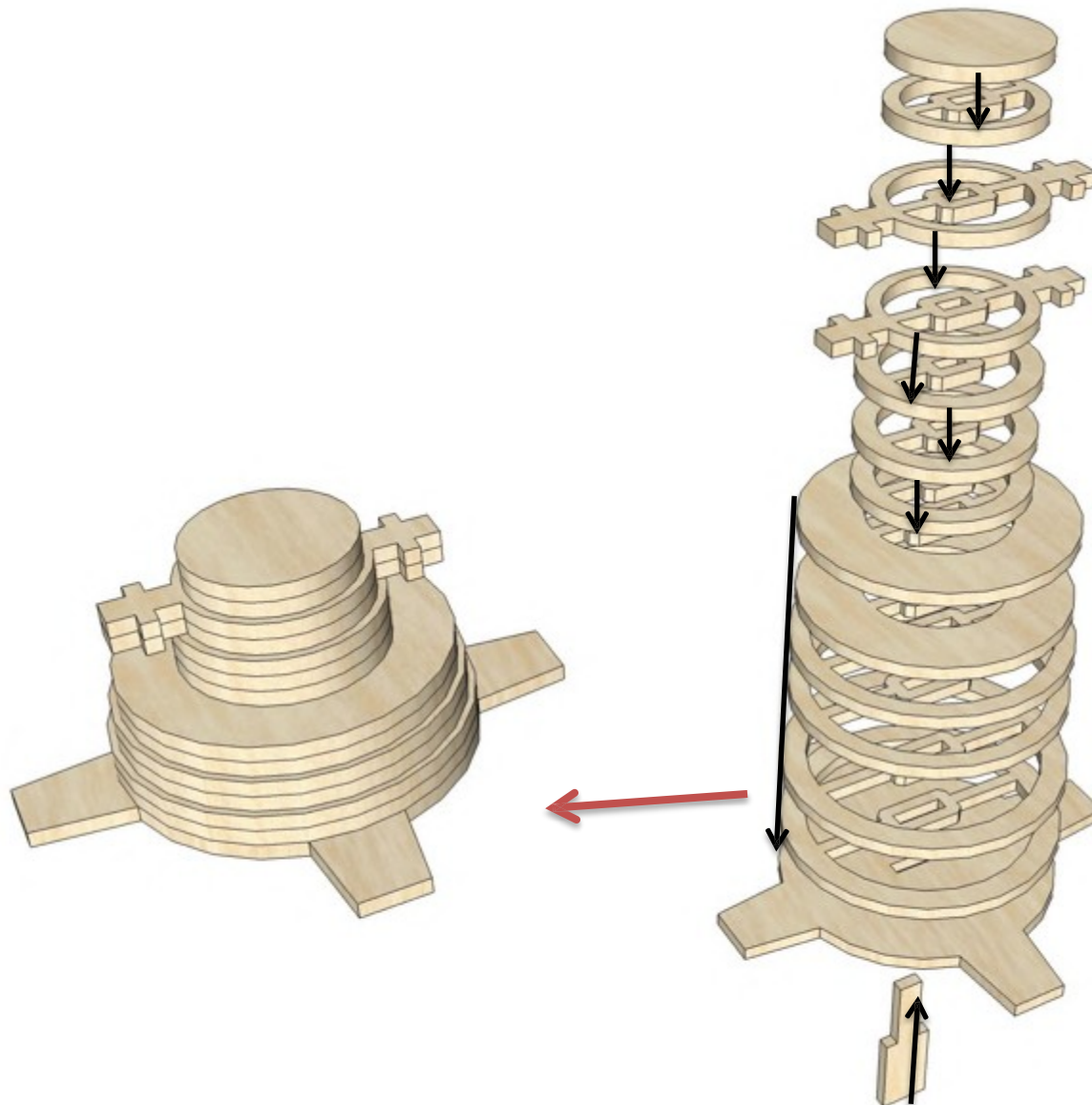
ENJOY BUILDING YOUR NEW MODEL.



# AT-AT Walker

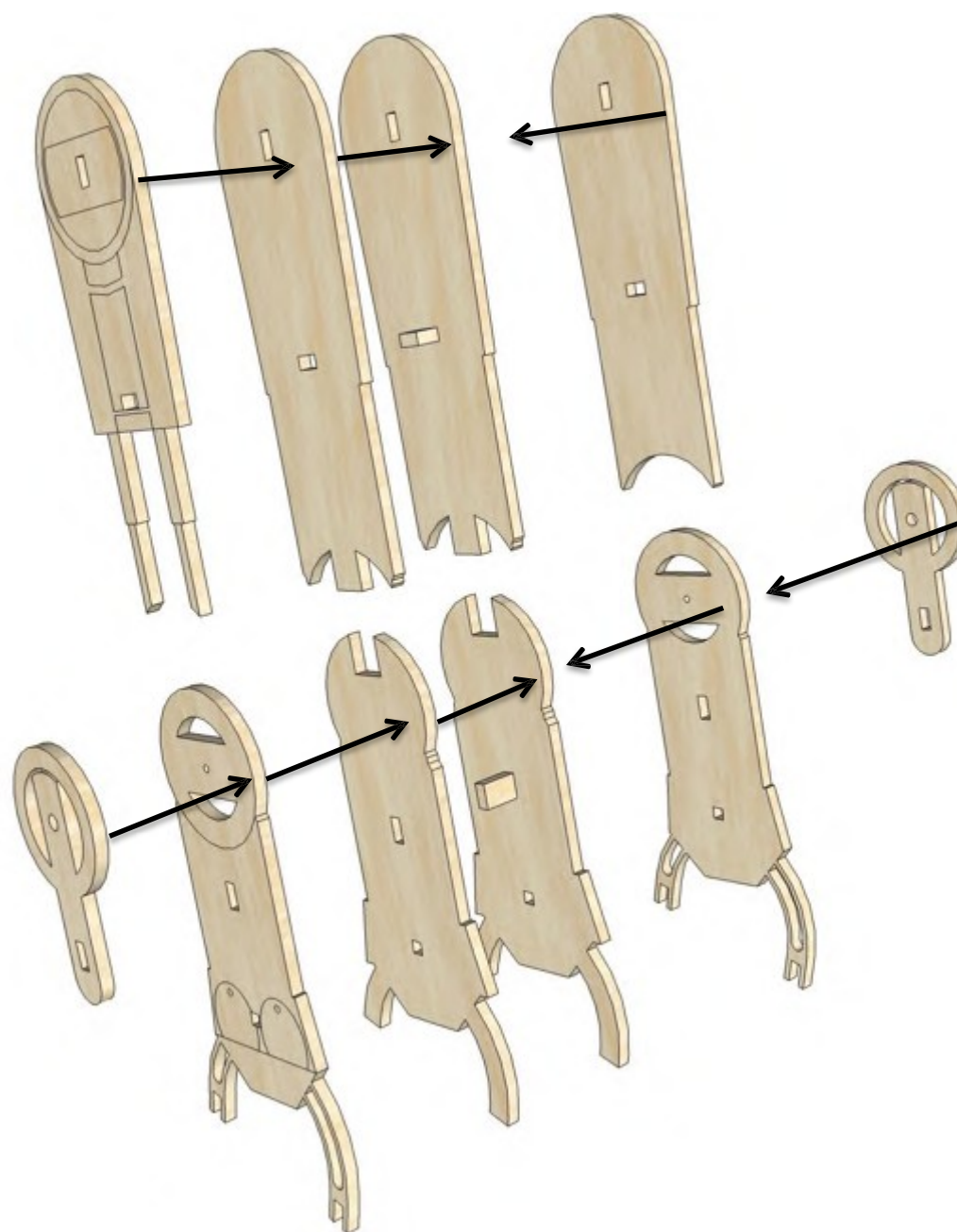


# PARTS LIST



IT IS RECOMMENDED TO GO THROUGH ALL THE PAGES  
AND SEE EACH STEP BEFORE STARTING THE ASSEMBLY

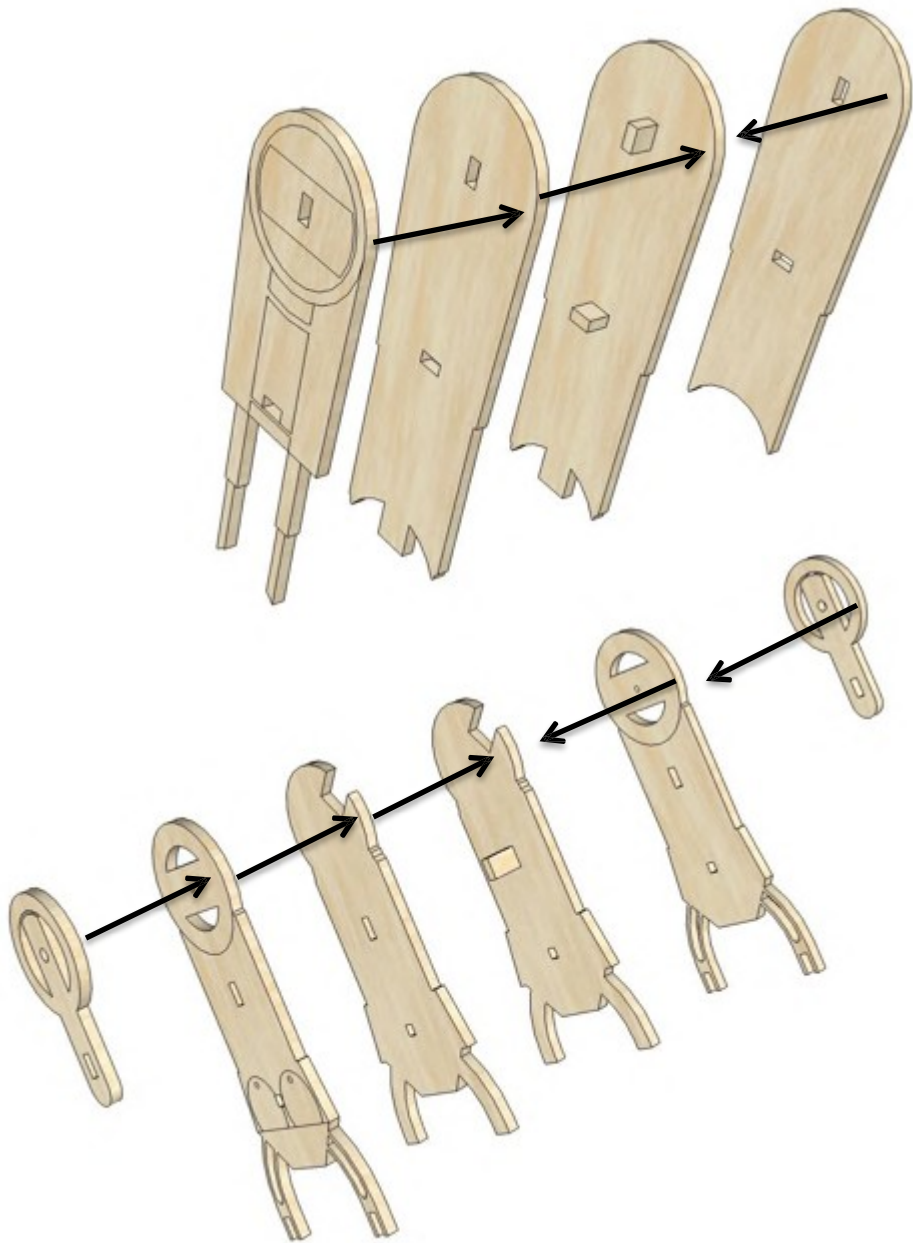
# ASSEMBLY STEPS



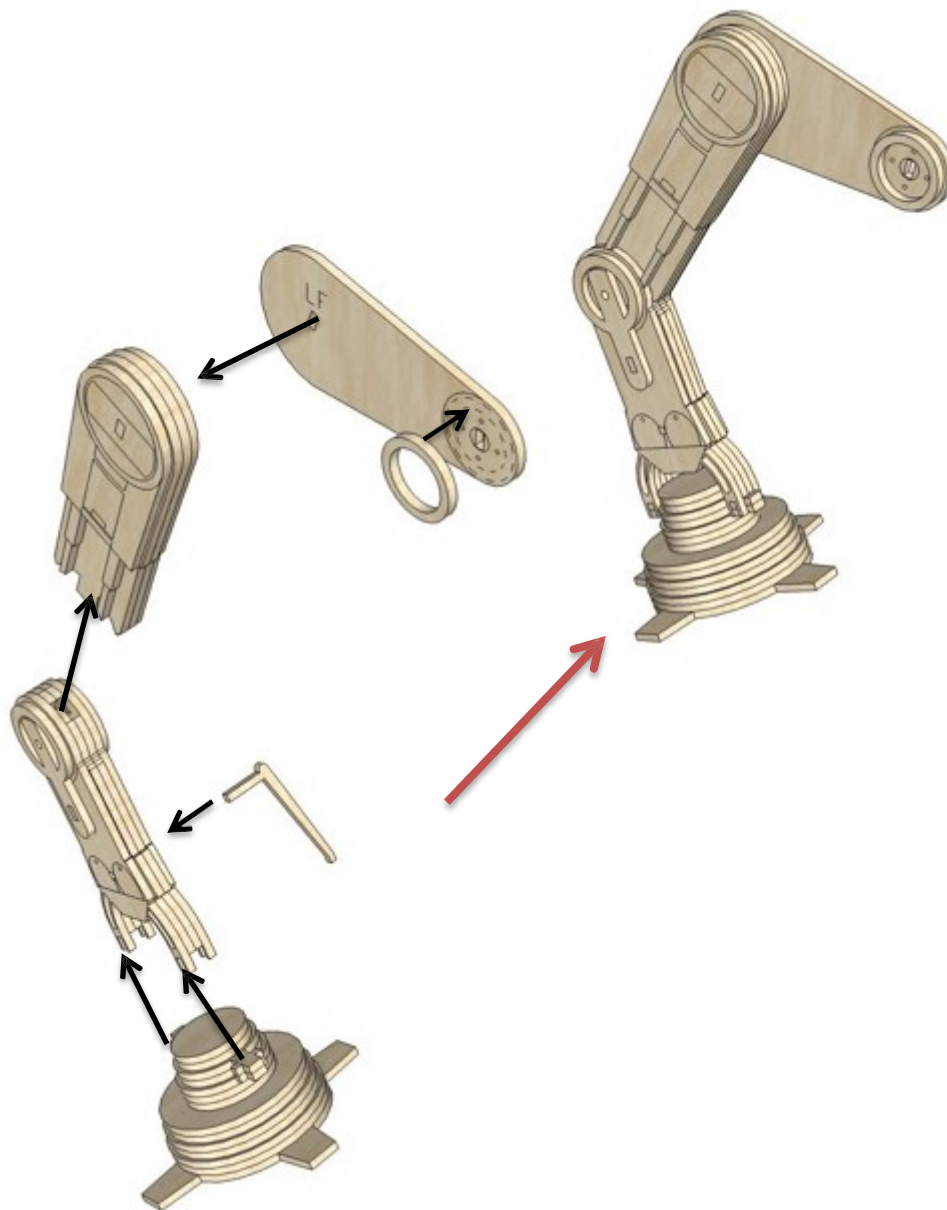
# ASSEMBLY STEPS



# ASSEMBLY STEPS



# ASSEMBLY STEPS

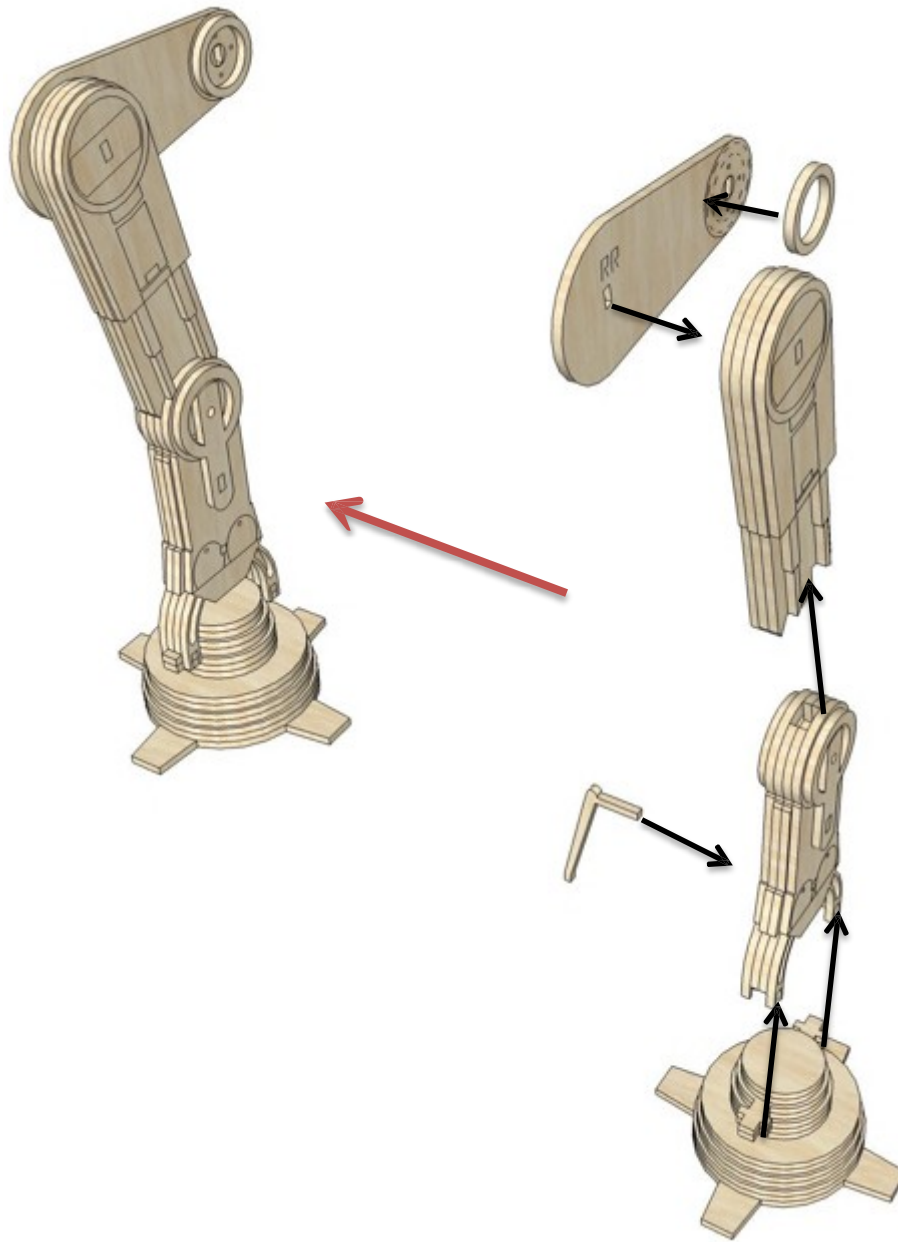


# ASSEMBLY STEPS



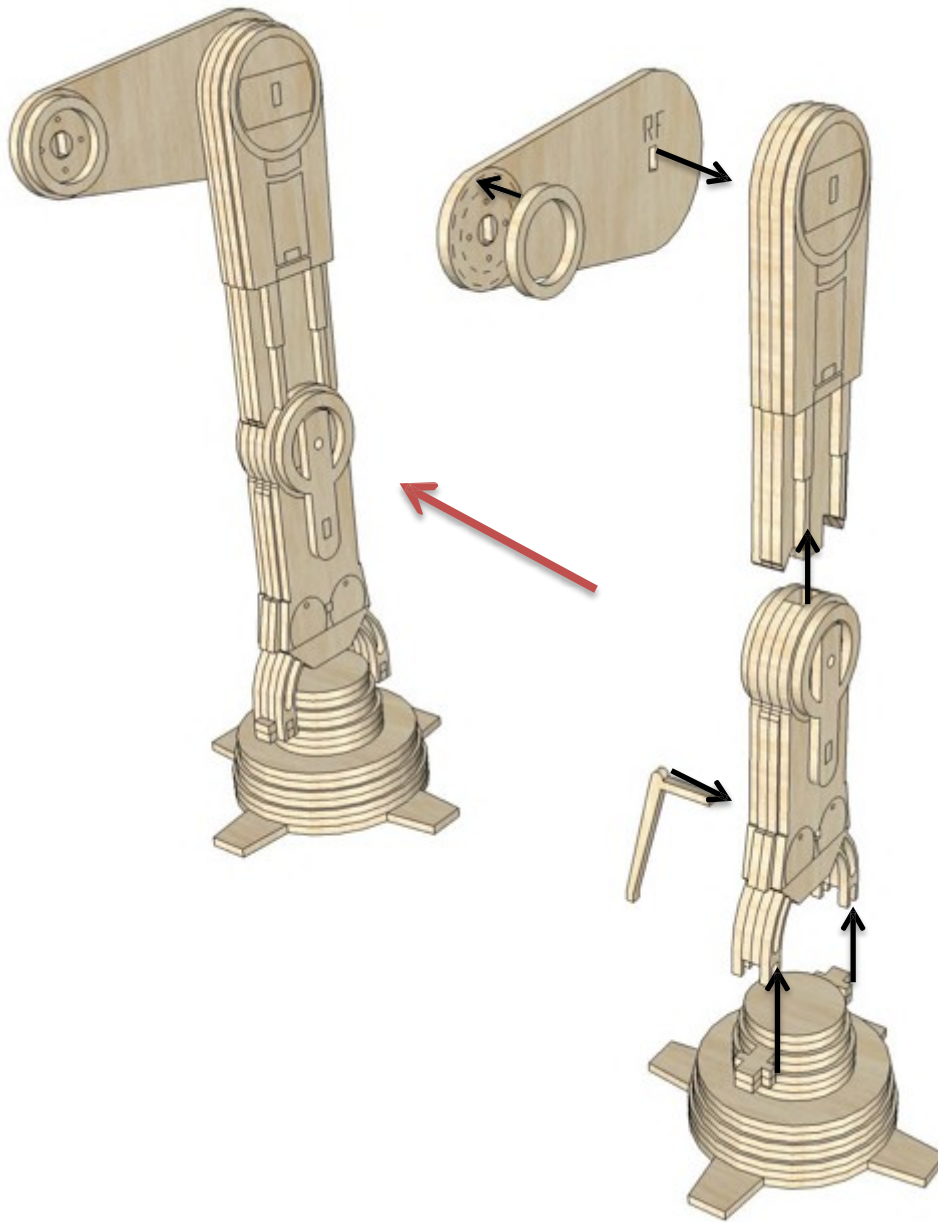


# ASSEMBLY STEPS

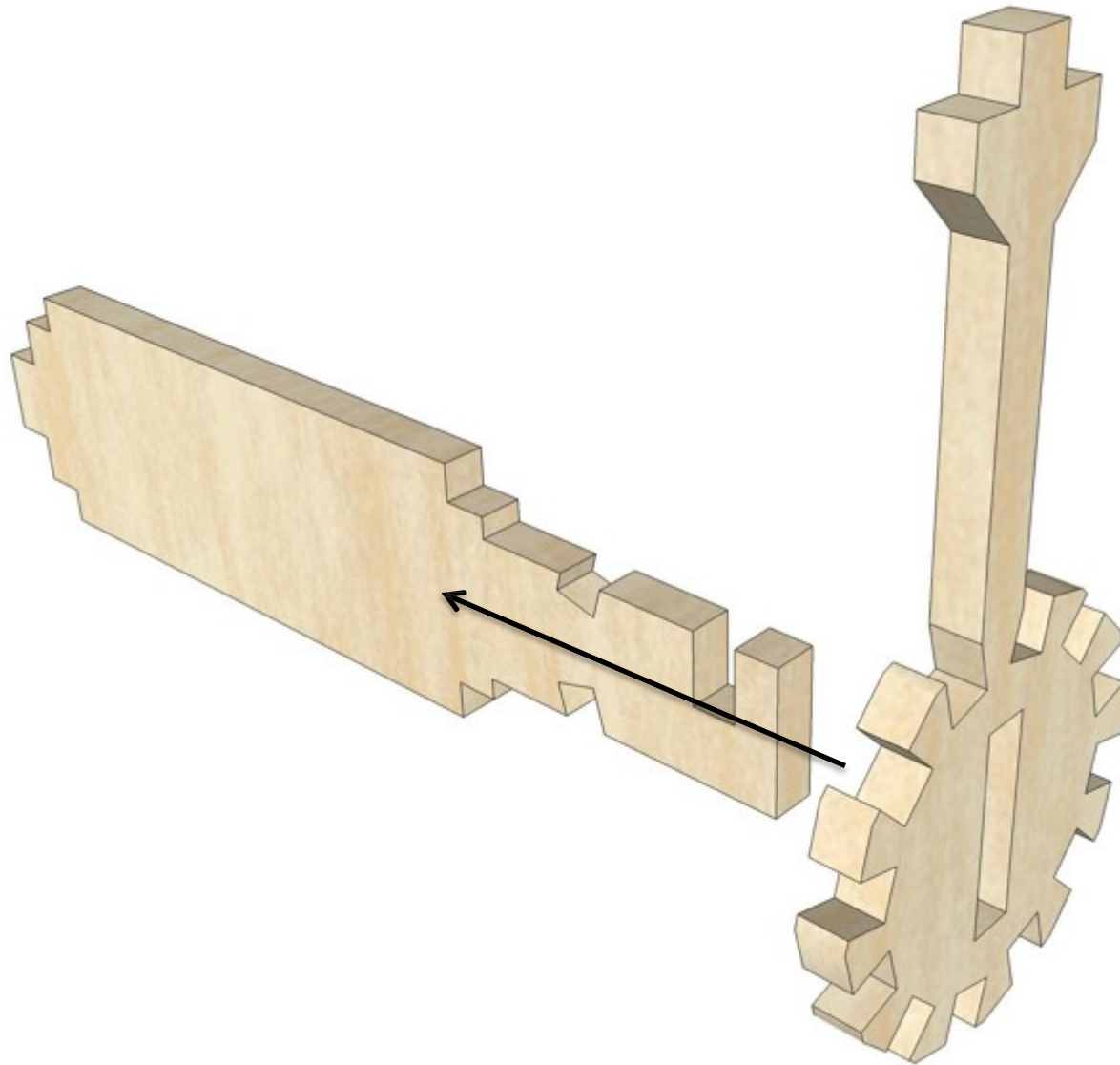


# ASSEMBLY STEPS

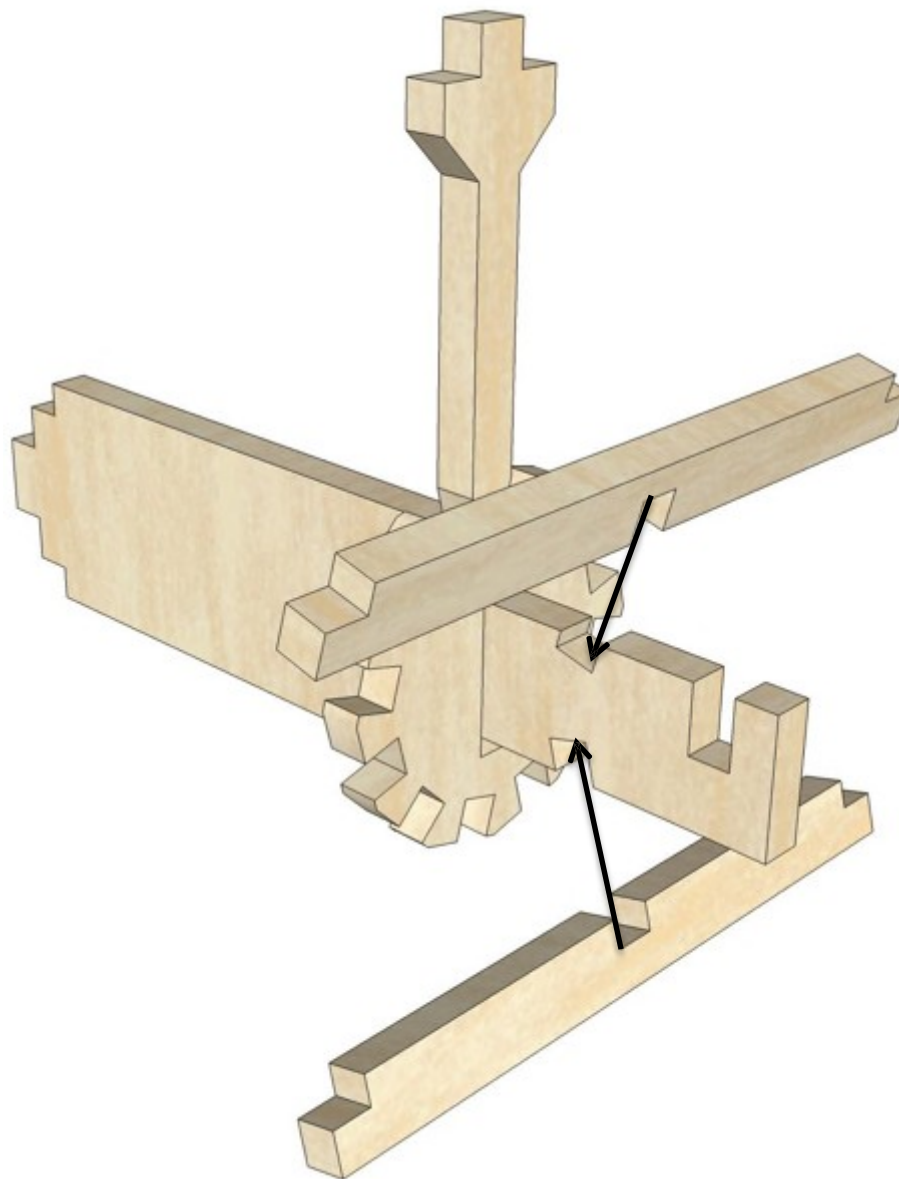




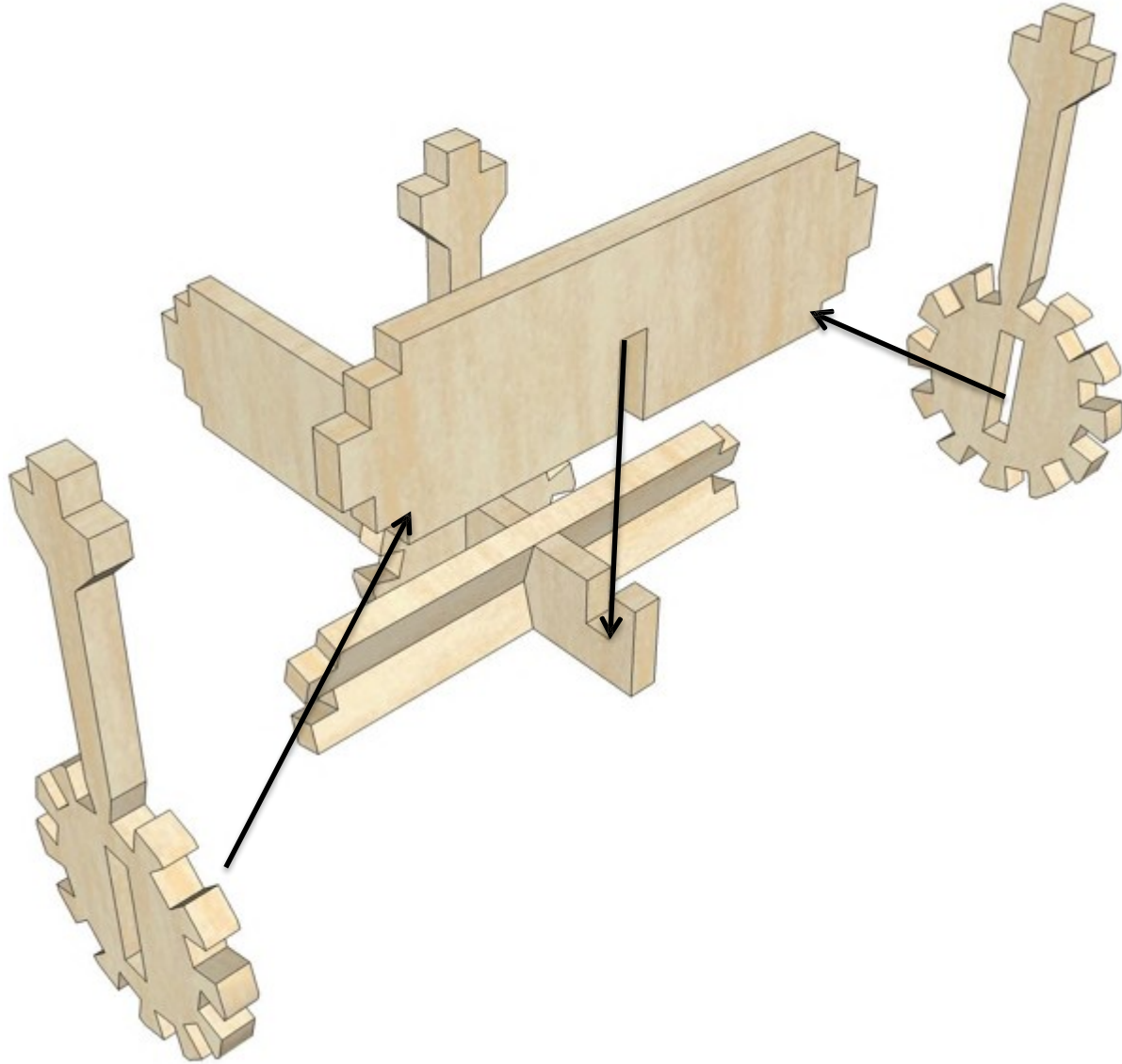
# ASSEMBLY STEPS



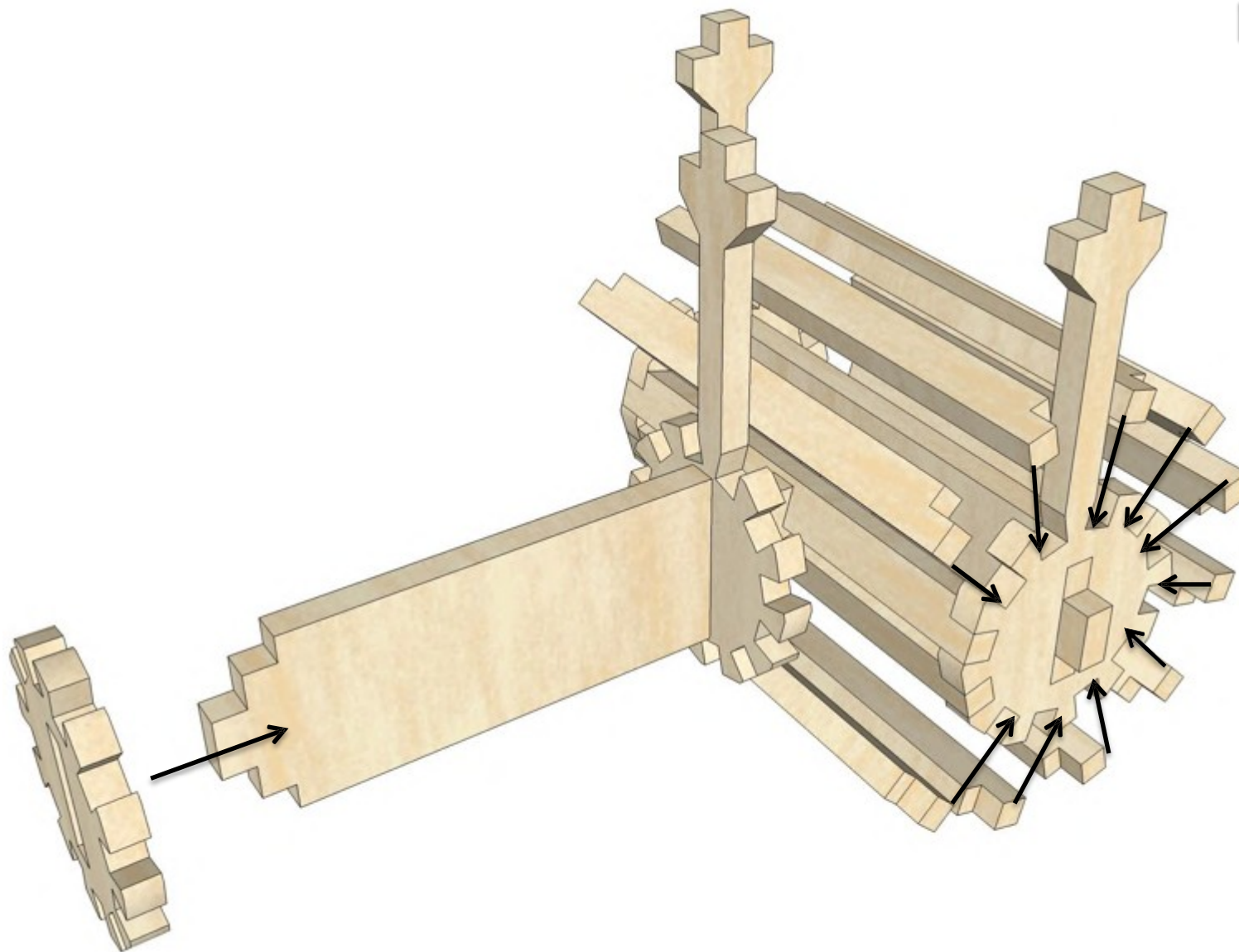
# ASSEMBLY STEPS



# ASSEMBLY STEPS

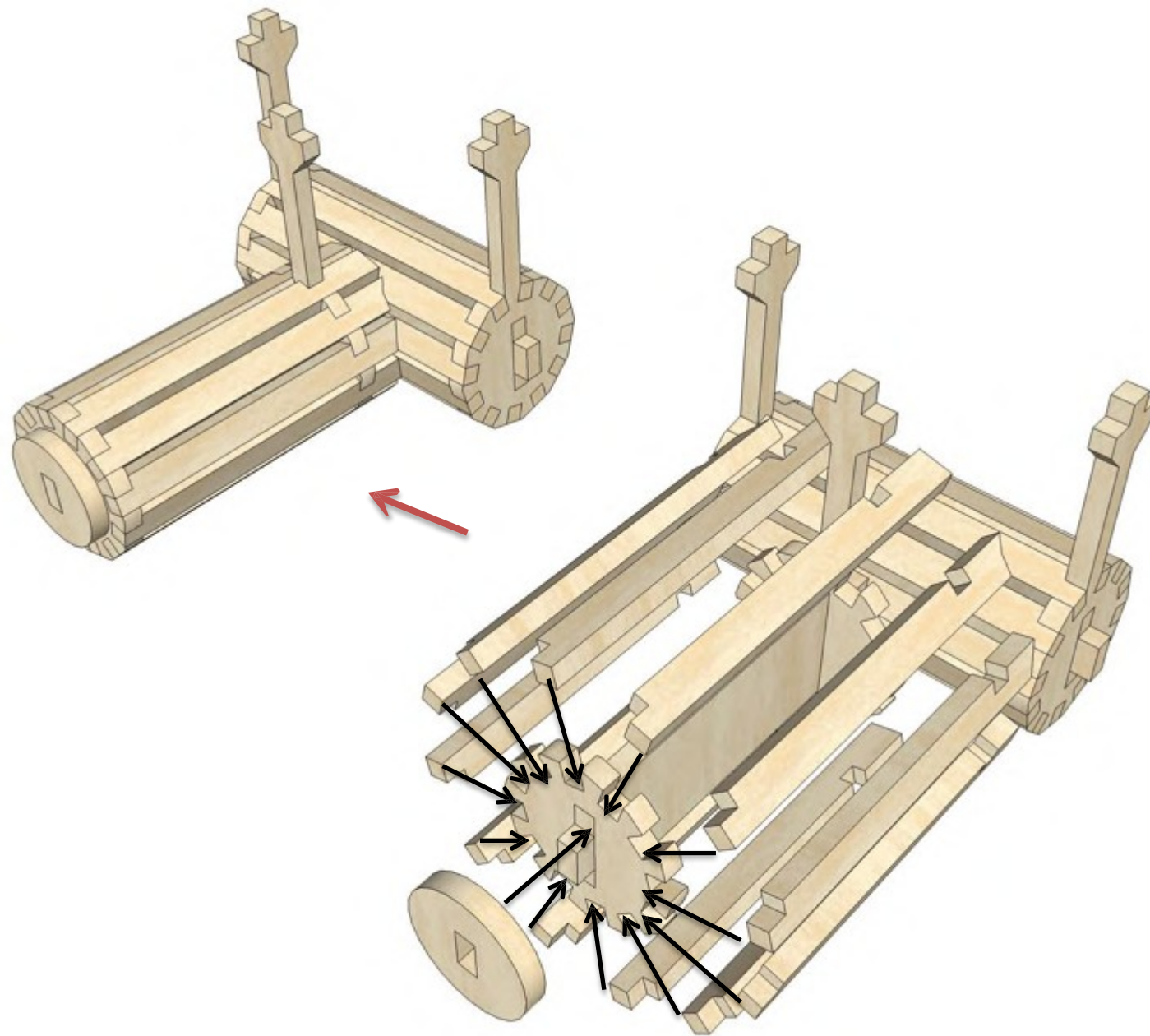


# ASSEMBLY STEPS

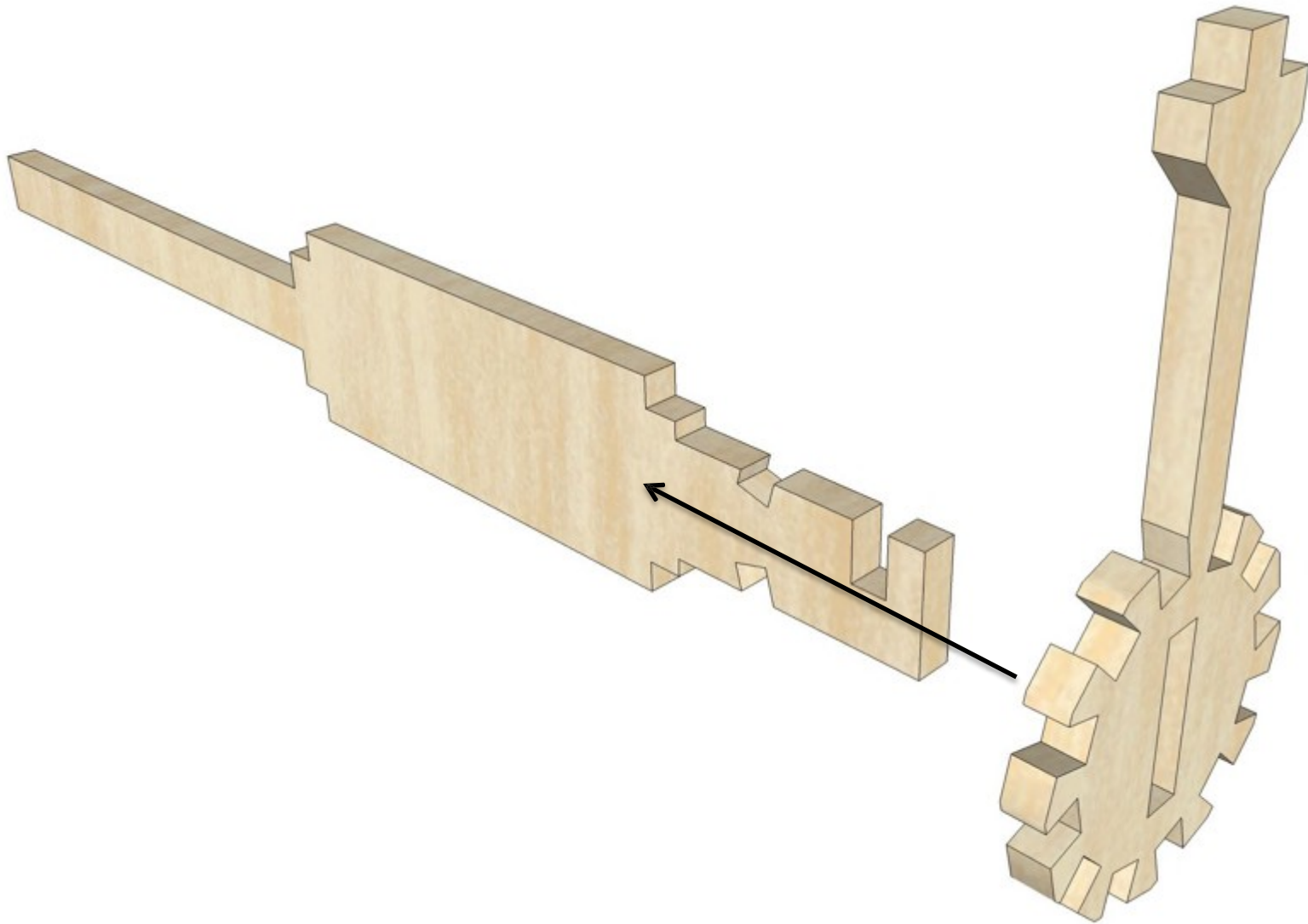


# ASSEMBLY STEPS

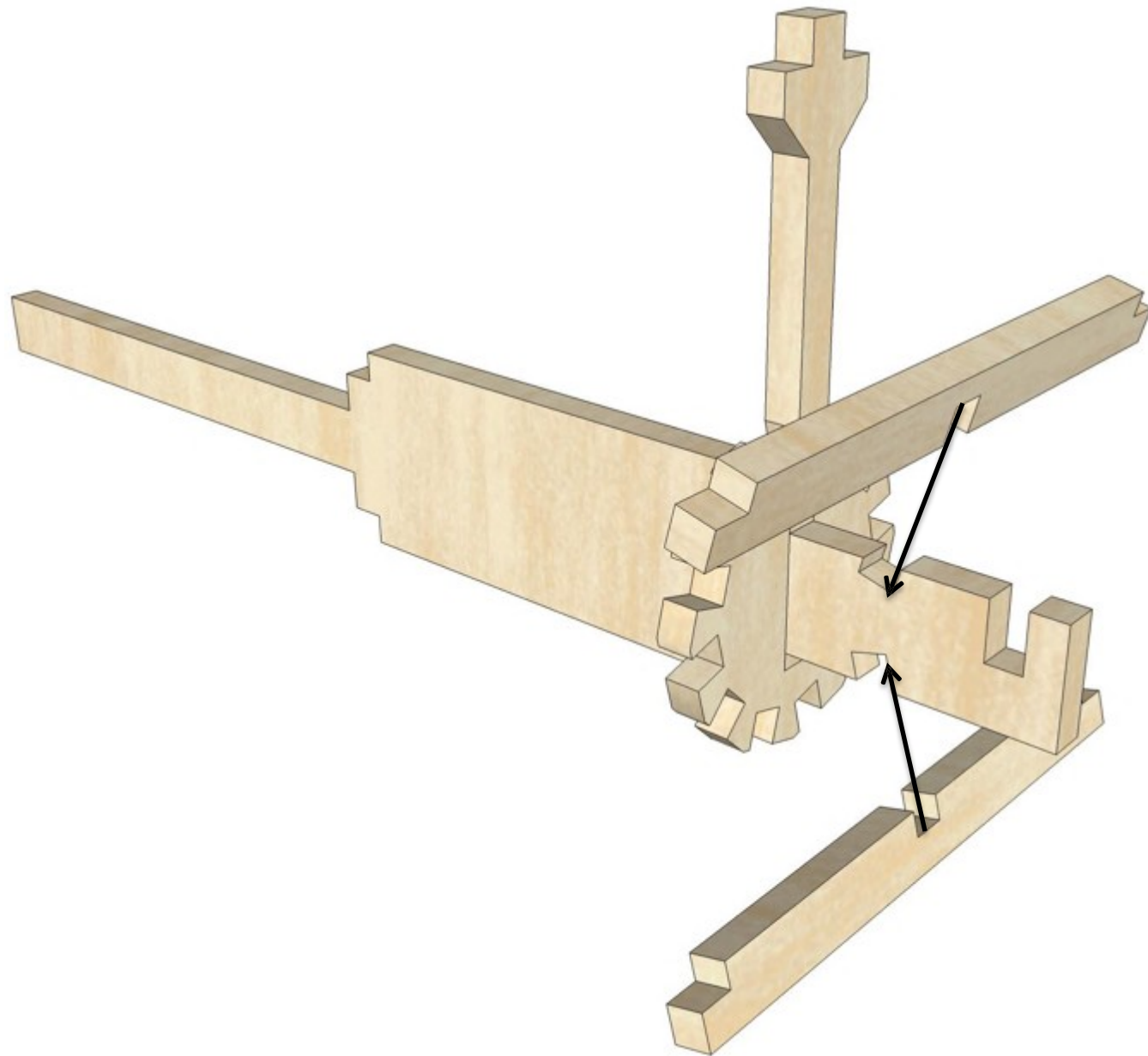




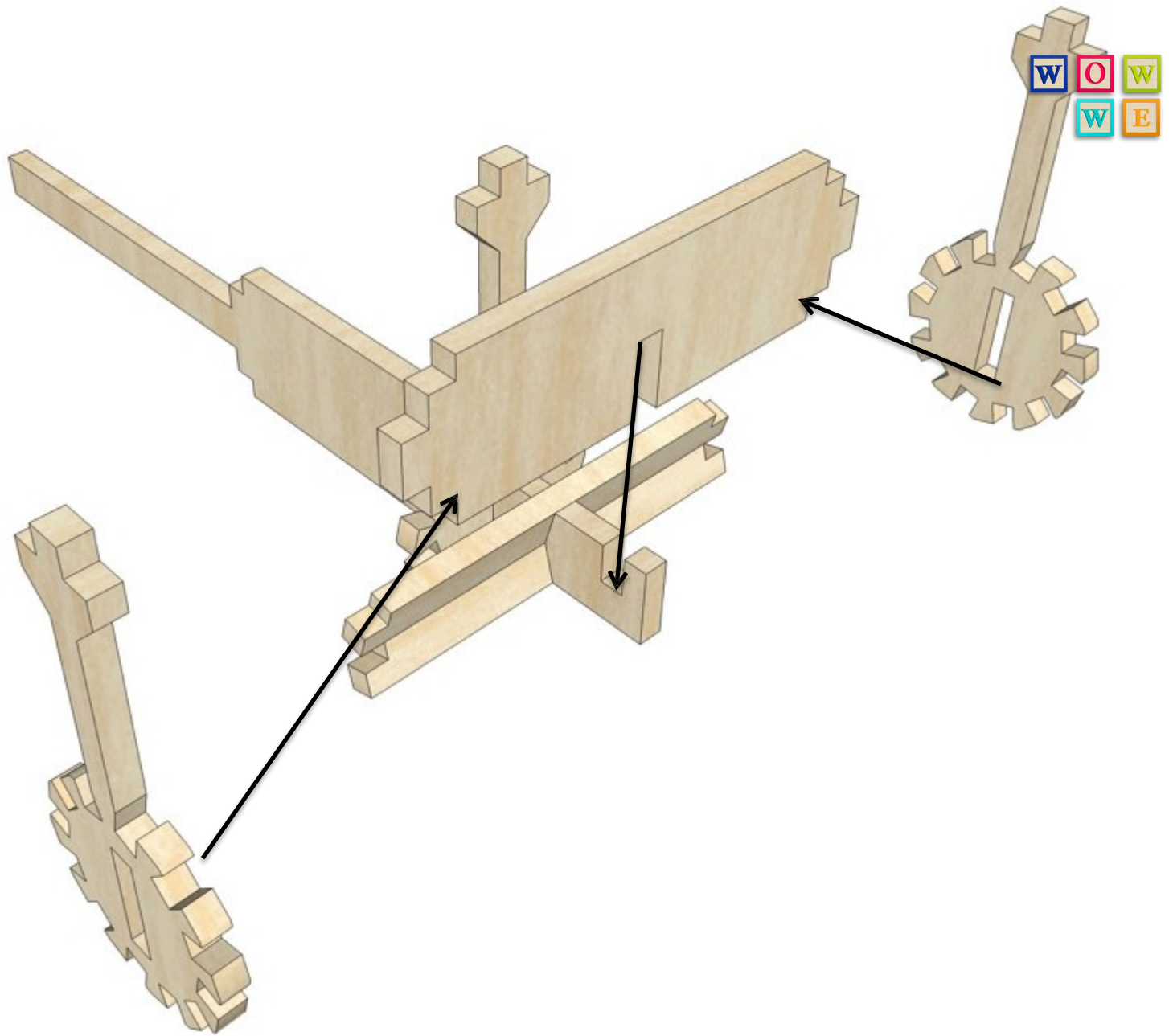
# ASSEMBLY STEPS



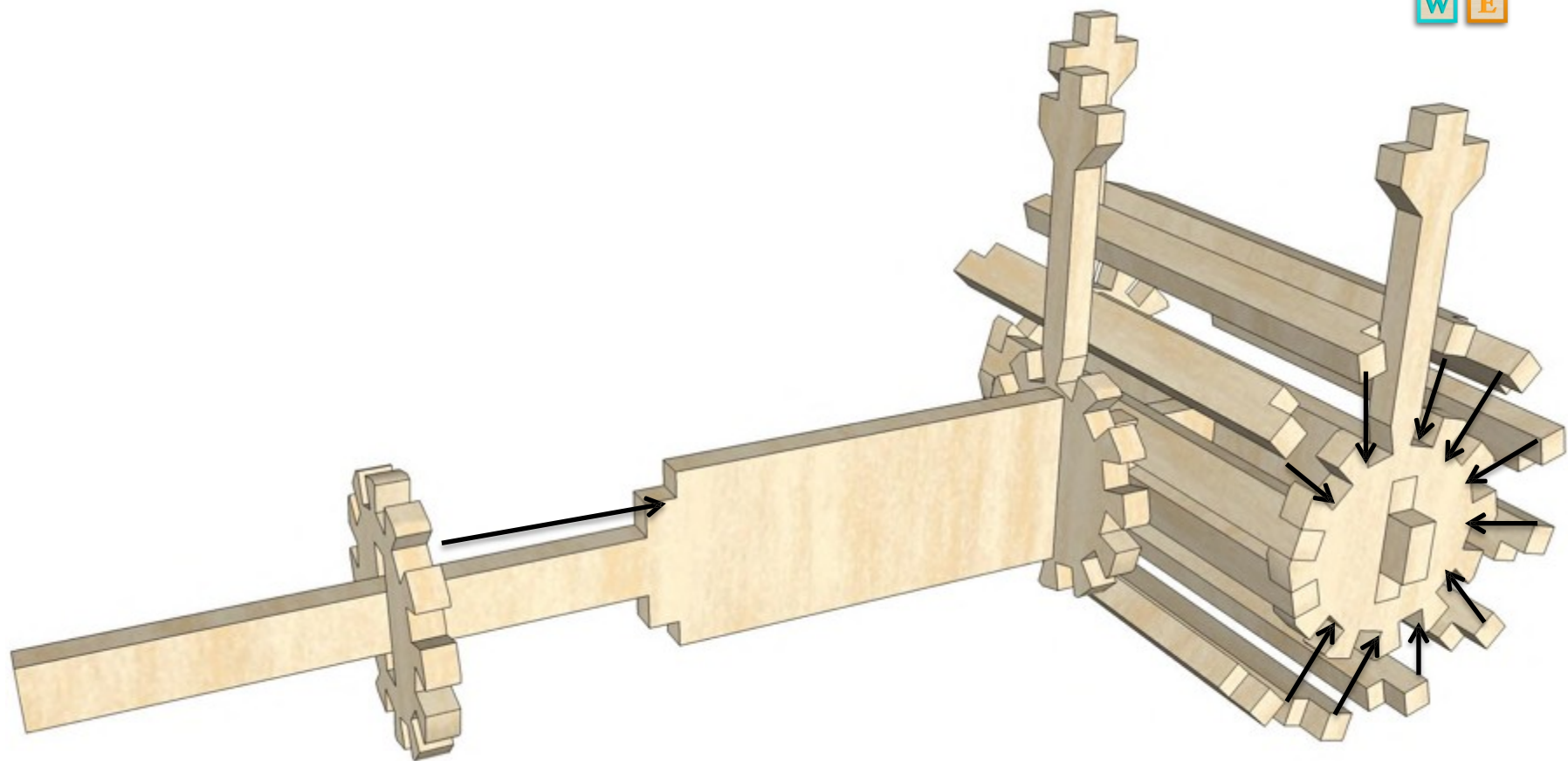
# ASSEMBLY STEPS



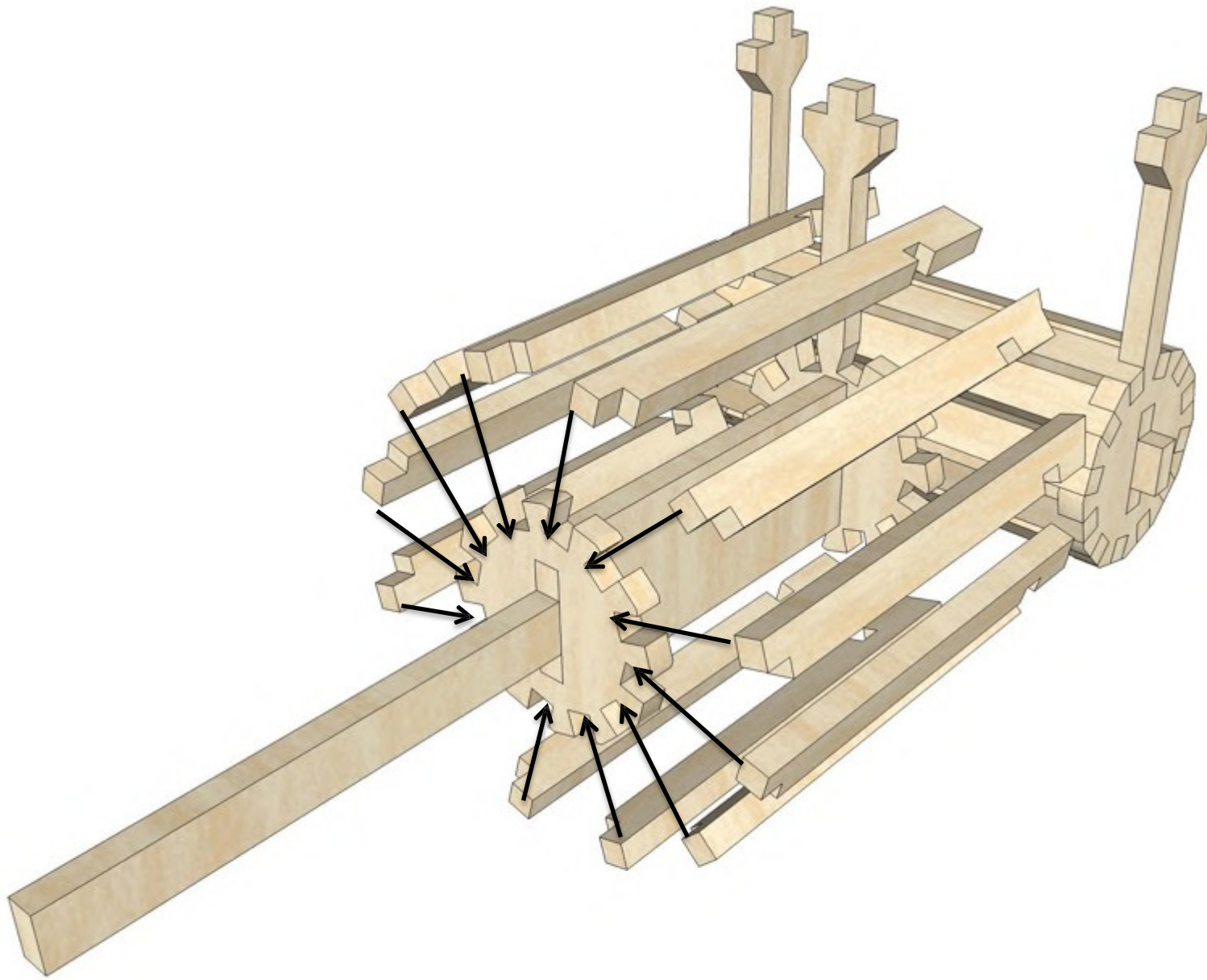
# ASSEMBLY STEPS



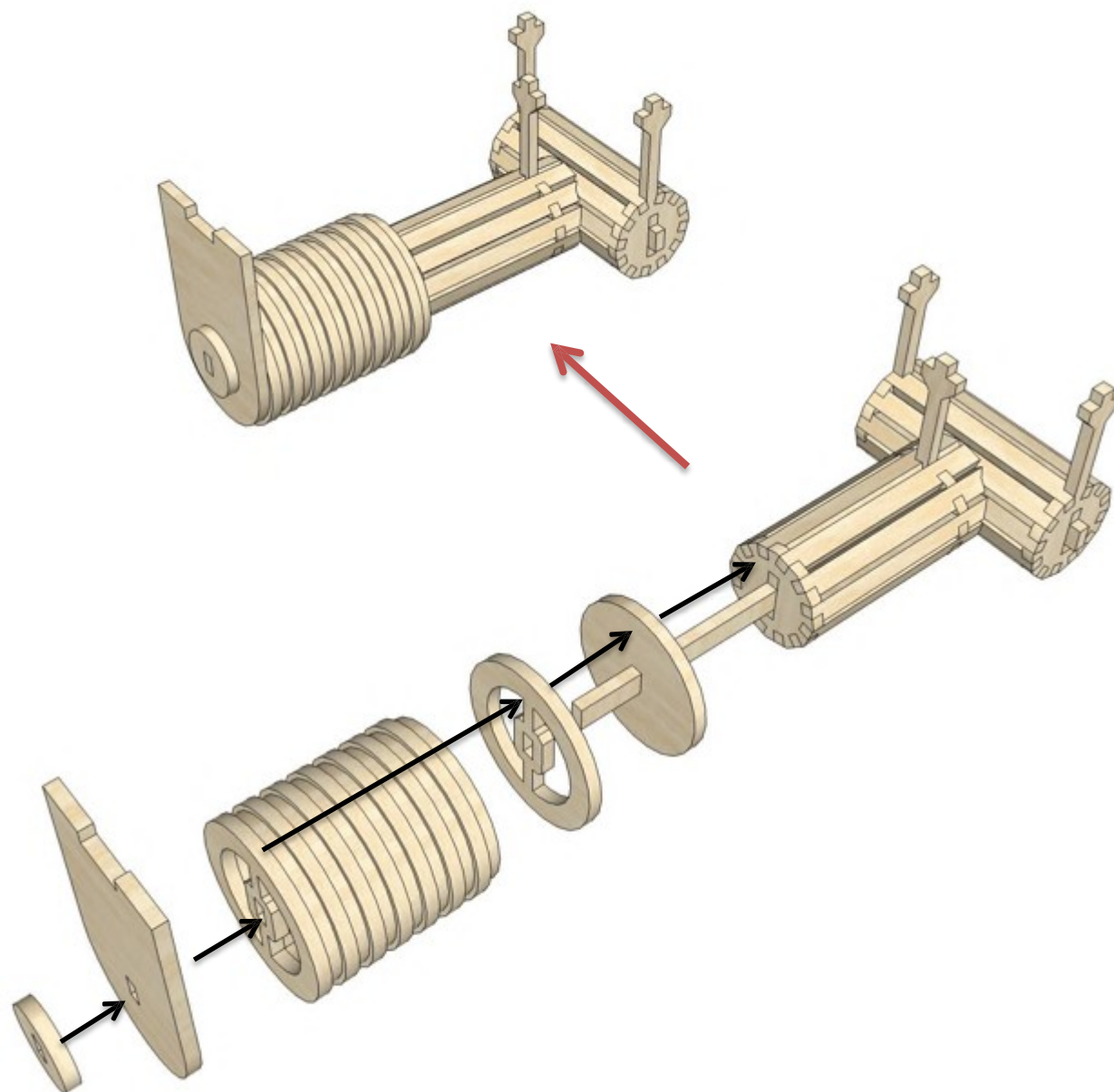
# ASSEMBLY STEPS



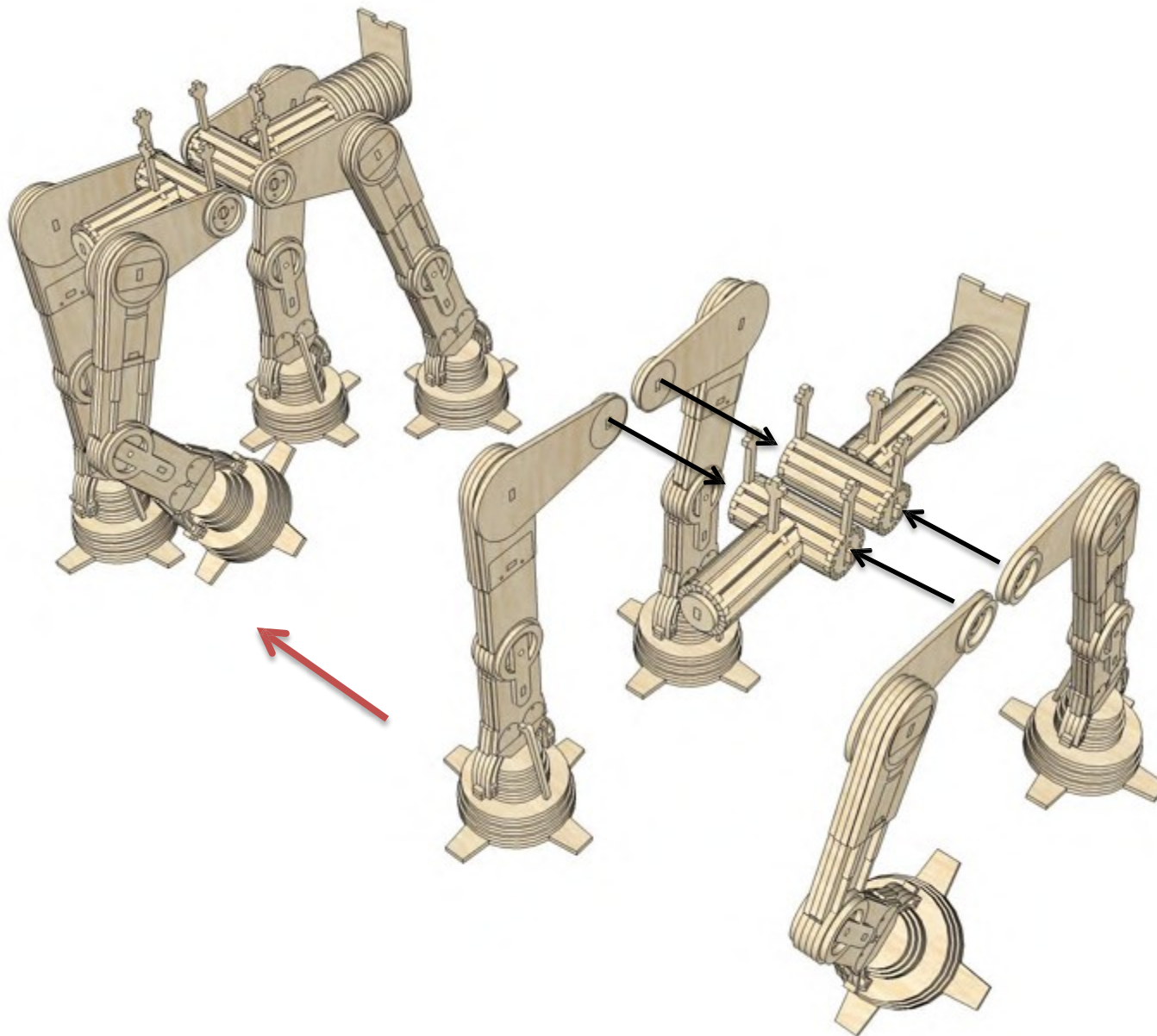
# ASSEMBLY STEPS



# ASSEMBLY STEPS



# ASSEMBLY STEPS



# ASSEMBLY STEPS

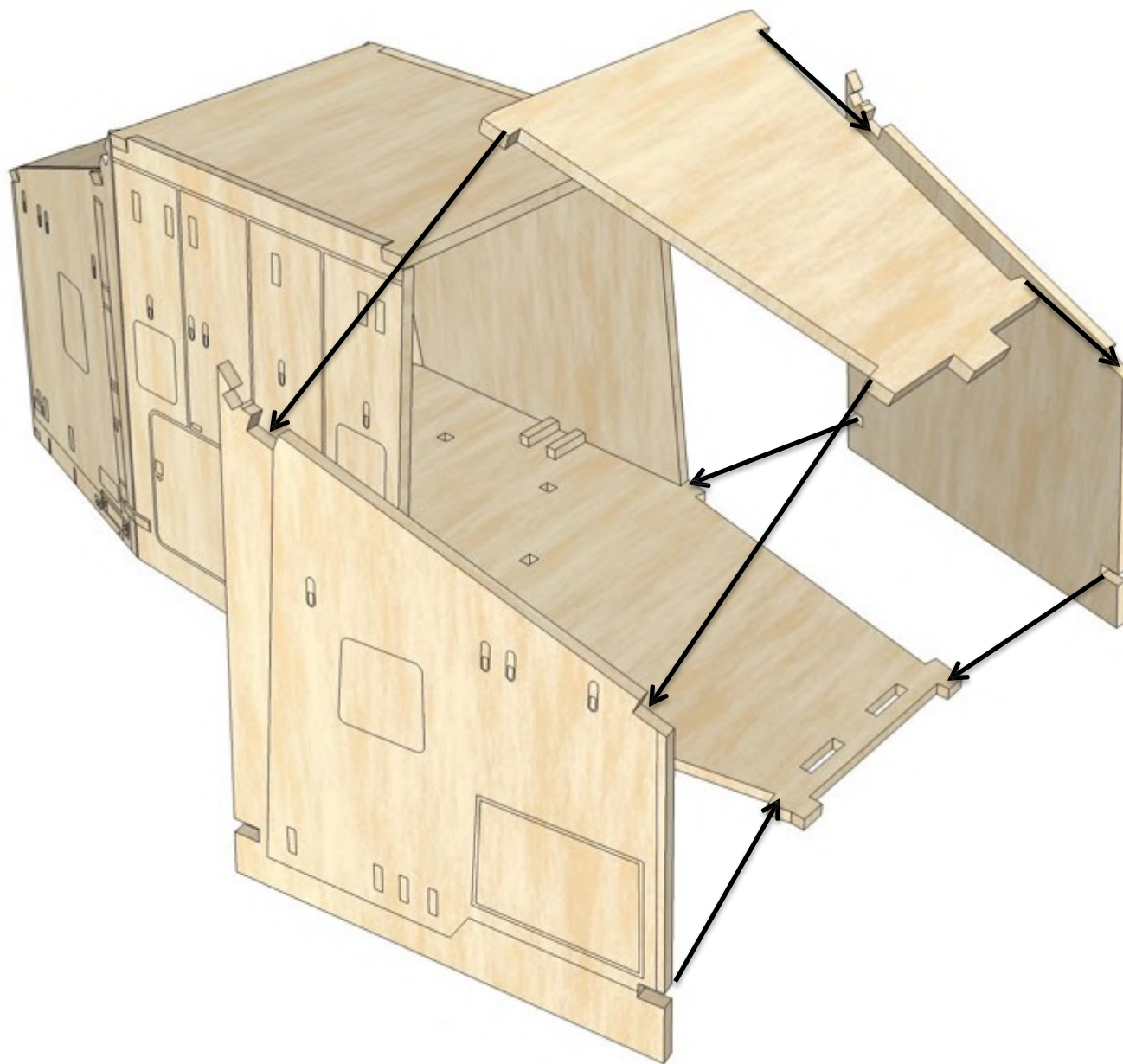




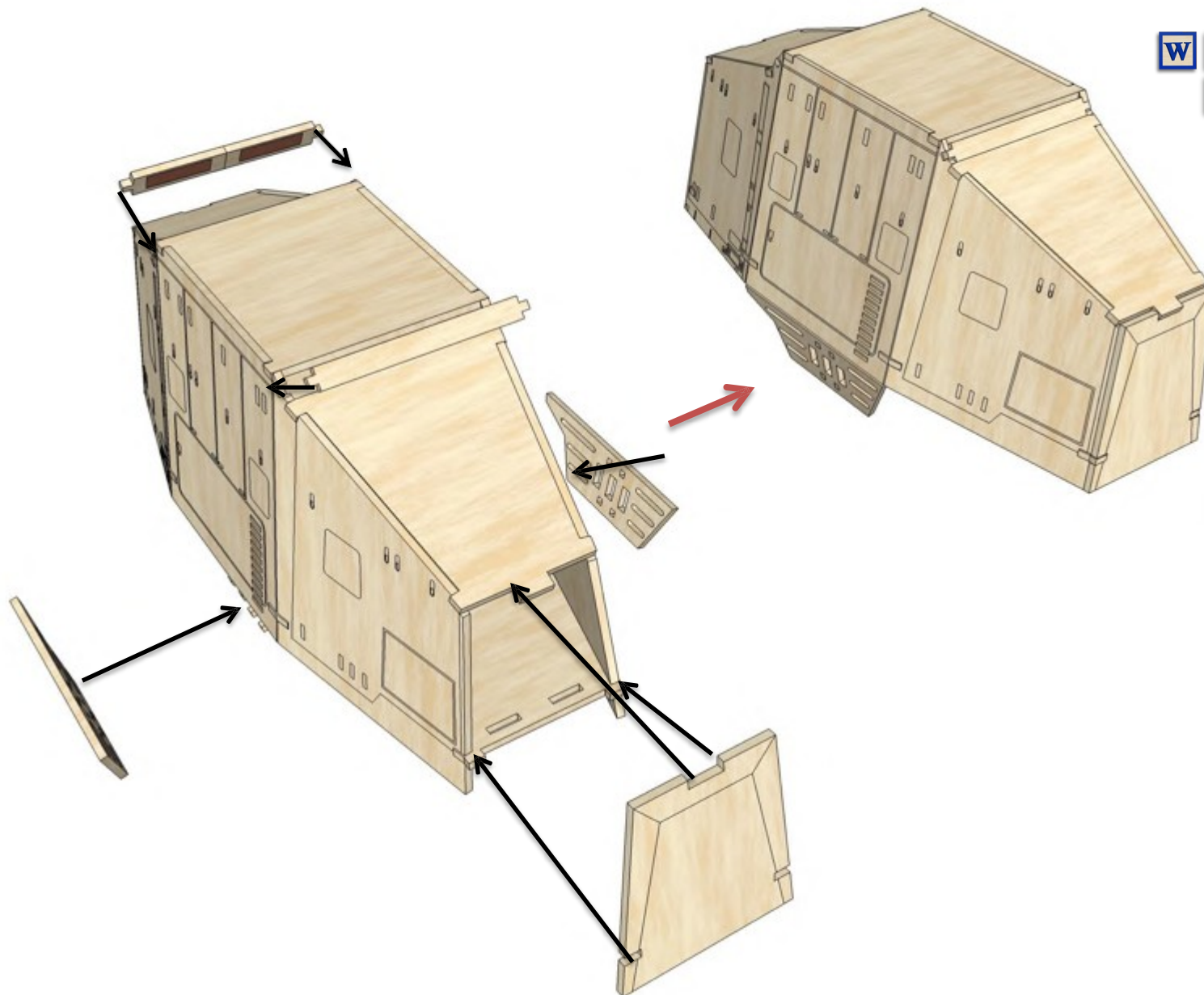
# ASSEMBLY STEPS



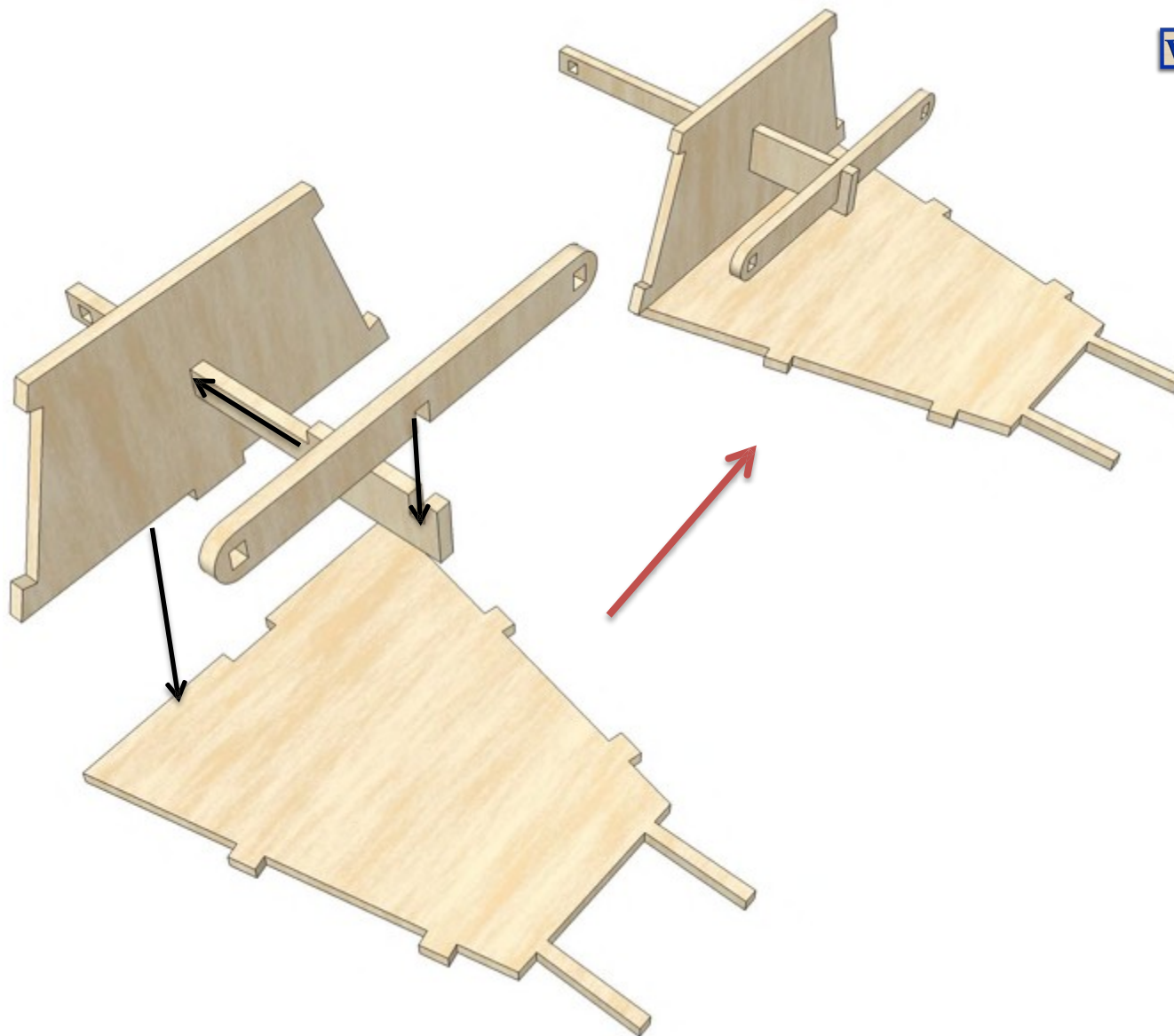
# ASSEMBLY STEPS



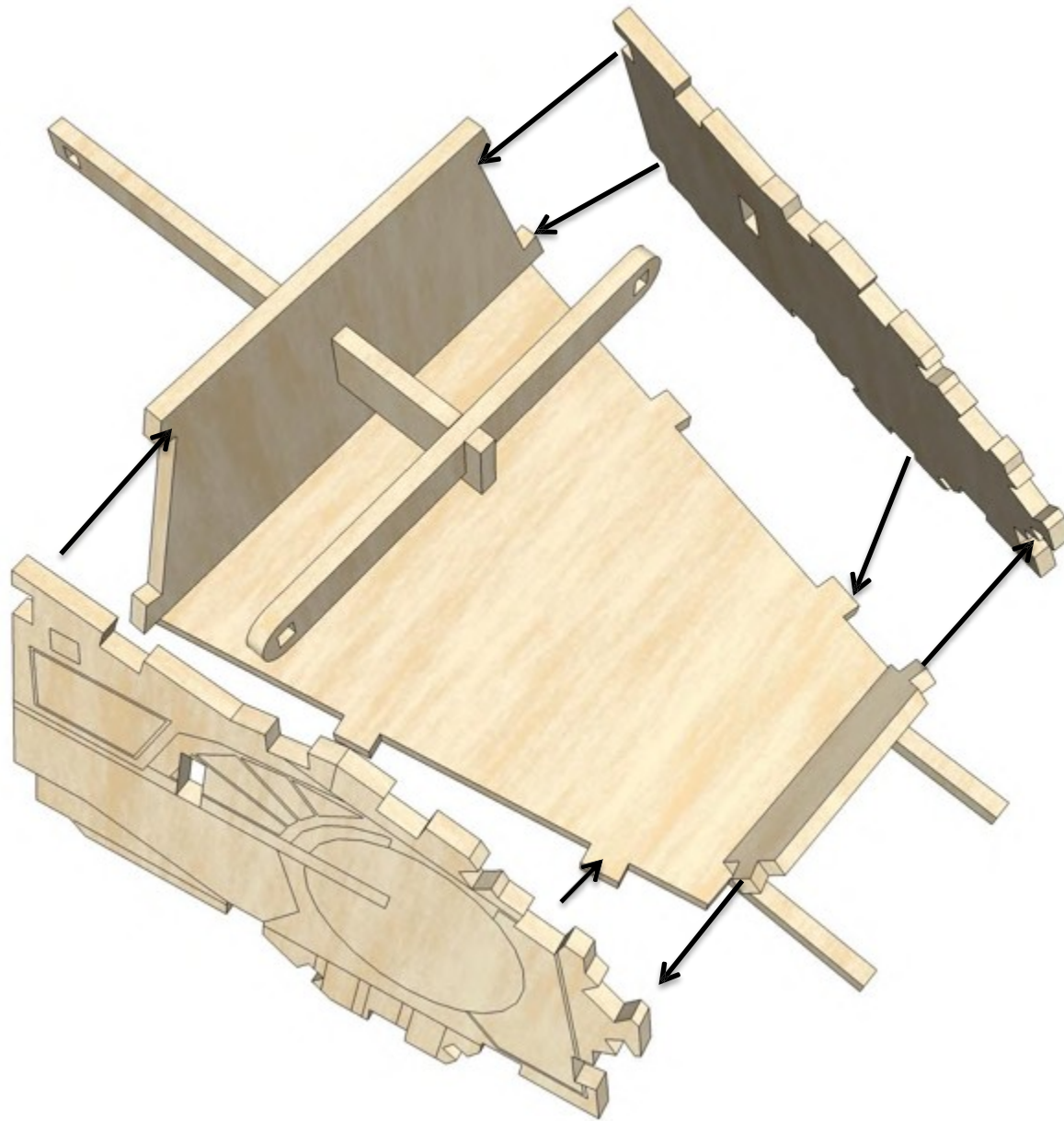
# ASSEMBLY STEPS



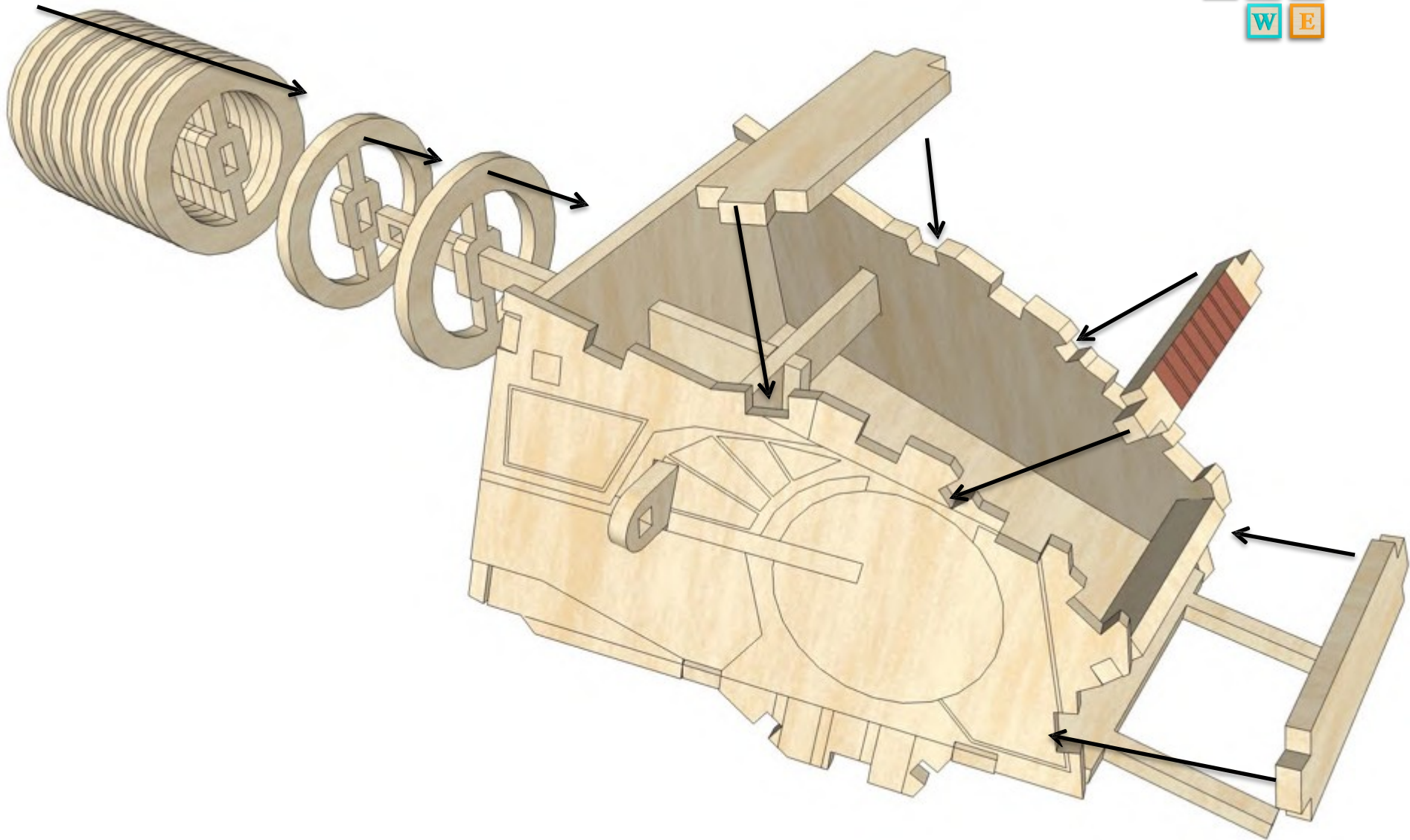
# ASSEMBLY STEPS



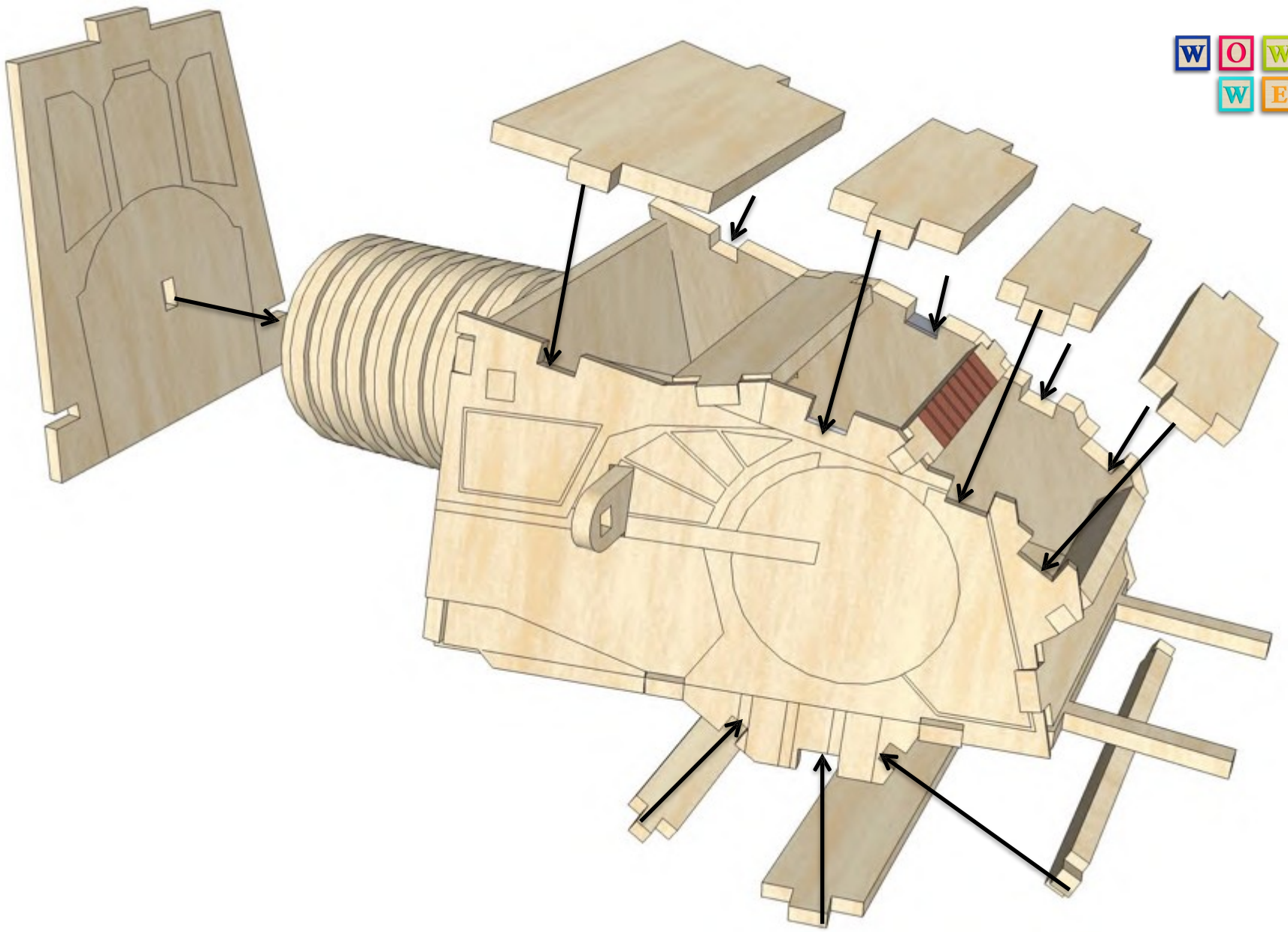
# ASSEMBLY STEPS



# ASSEMBLY STEPS

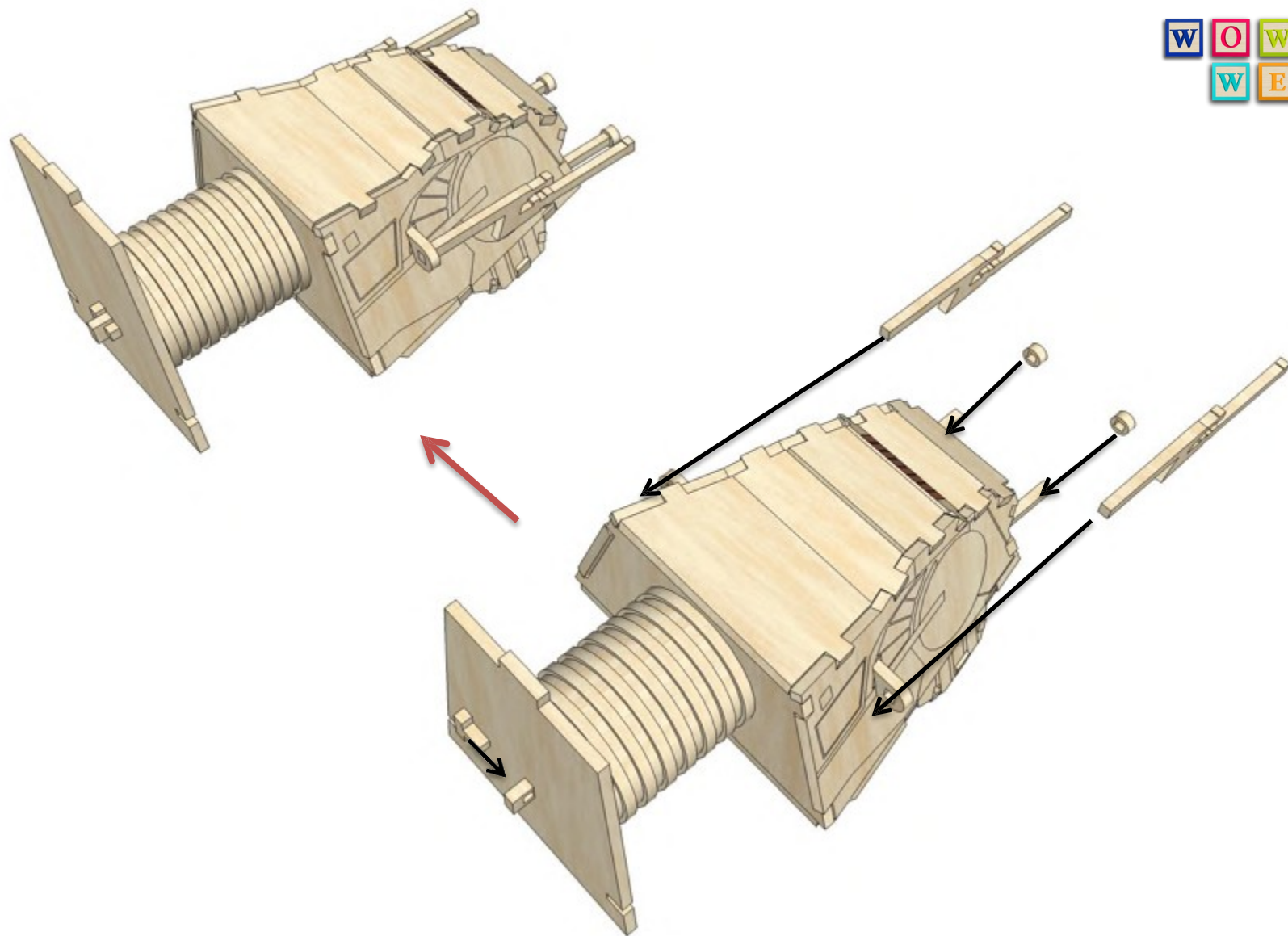


# ASSEMBLY STEPS

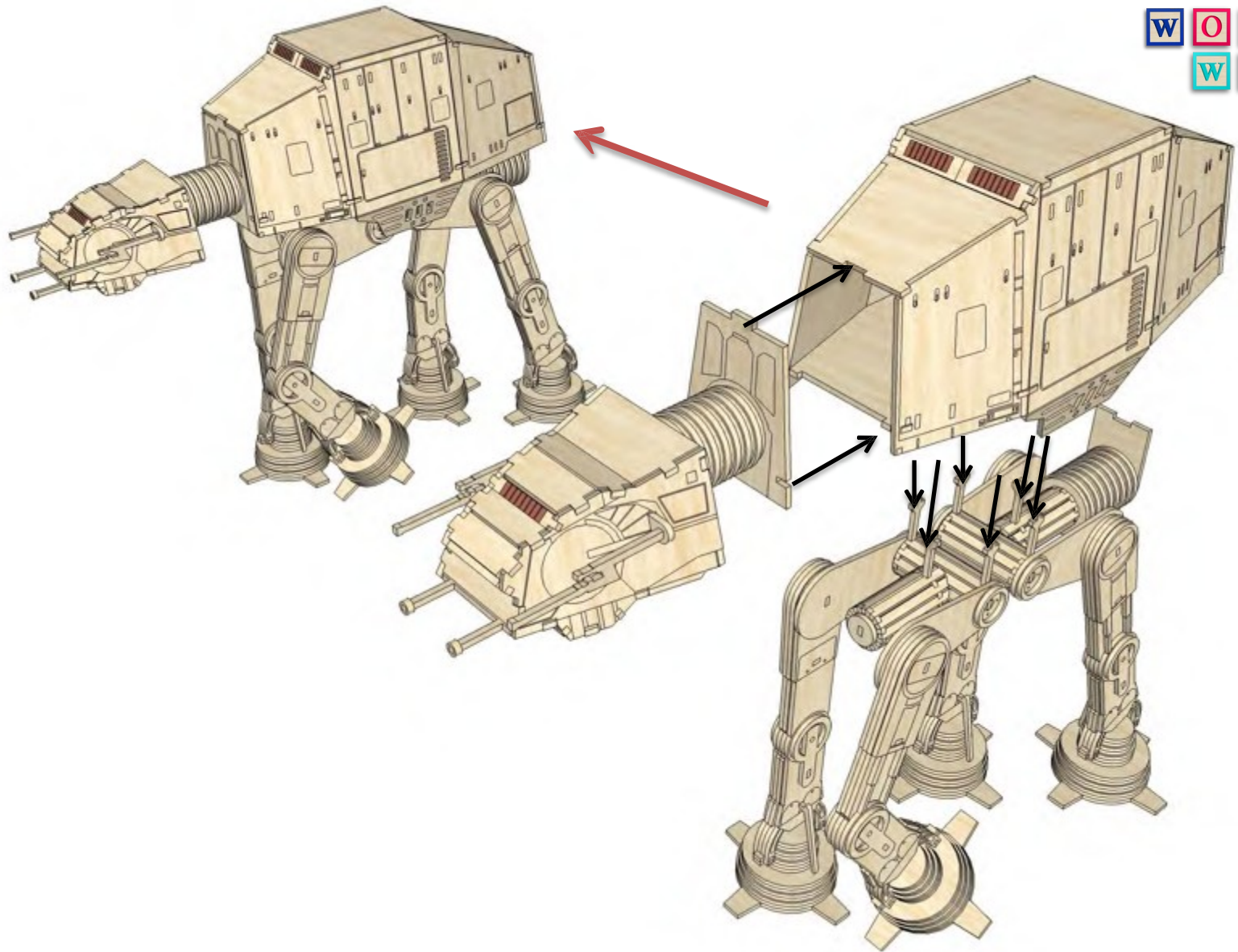


# ASSEMBLY STEPS





# ASSEMBLY STEPS



# ASSEMBLY STEPS