

**CAUTION! • CAUTION! • CAUTION! • CAUTION! • CAUTION!**

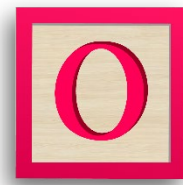
# **WHOA!!! CAUTION NOT SO FAST**

This product is made out of MDF / Supawood and is fragile of nature.

We recommend all pieces to be test fitted and if required contact pieces to be filled / sanded down for a better fit.

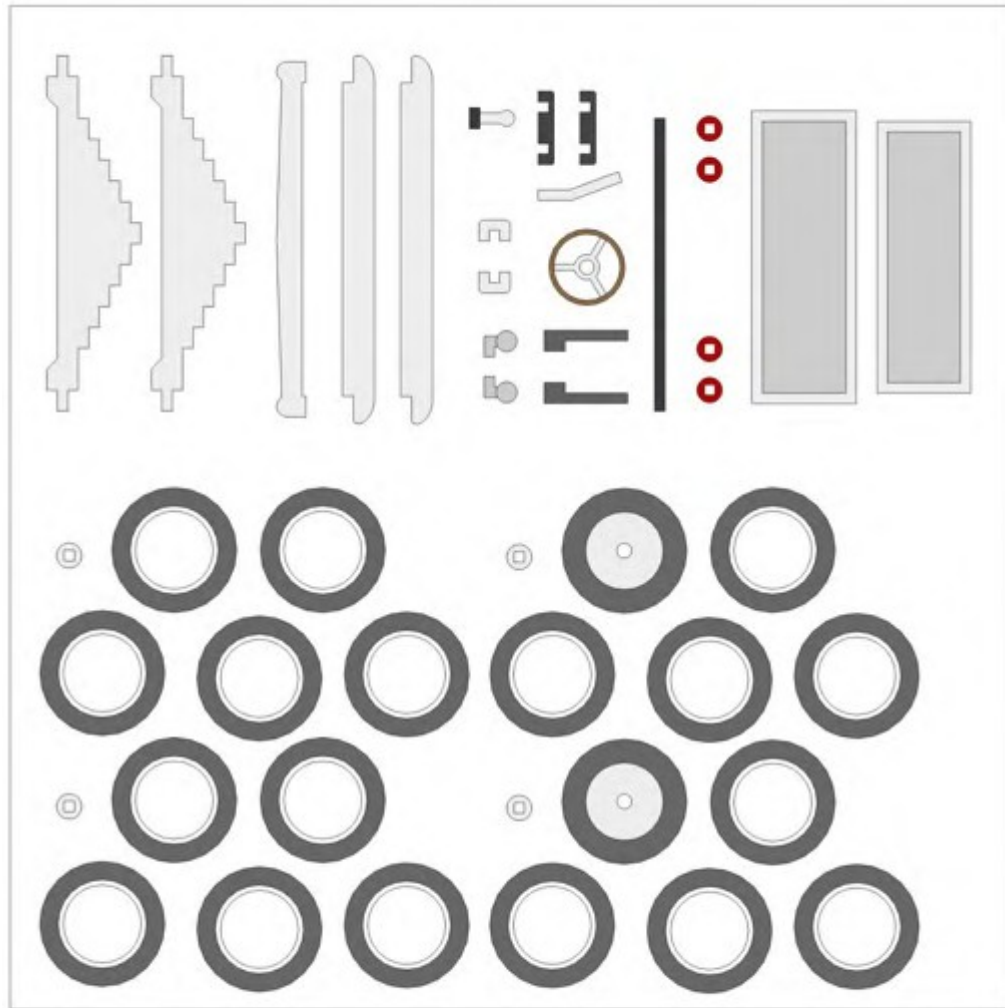
**PLEASE DO NOT FORCE FIT ANY PIECES AS IT  
WILL BREAK!**

ENJOY BUILDING YOUR NEW MODEL.  
[WWW.WOWWE.CO.ZA](http://WWW.WOWWE.CO.ZA)



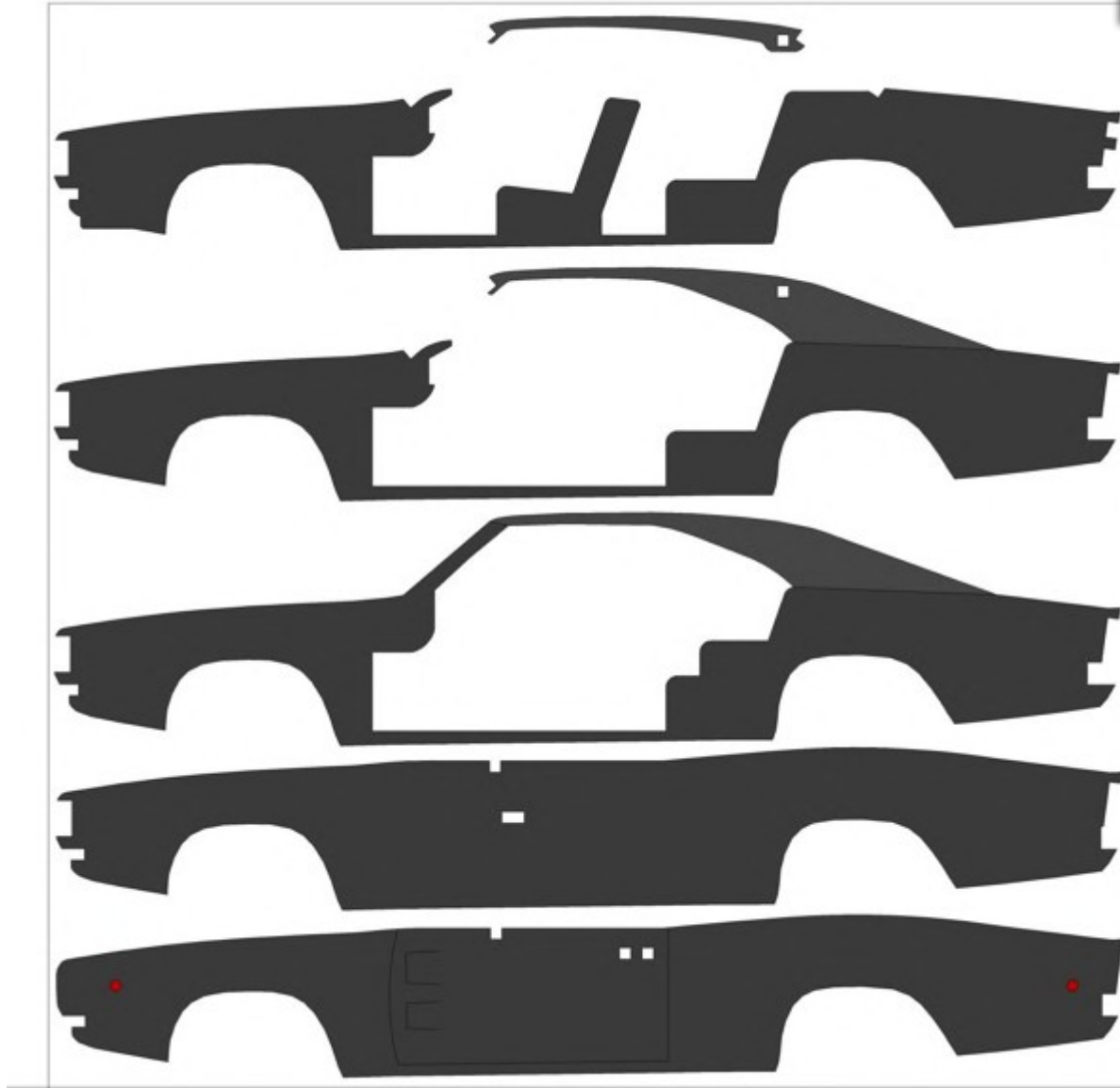
**1968 DODGE CHARGER**

[WWW.WOWWE.CO.ZA](http://WWW.WOWWE.CO.ZA)



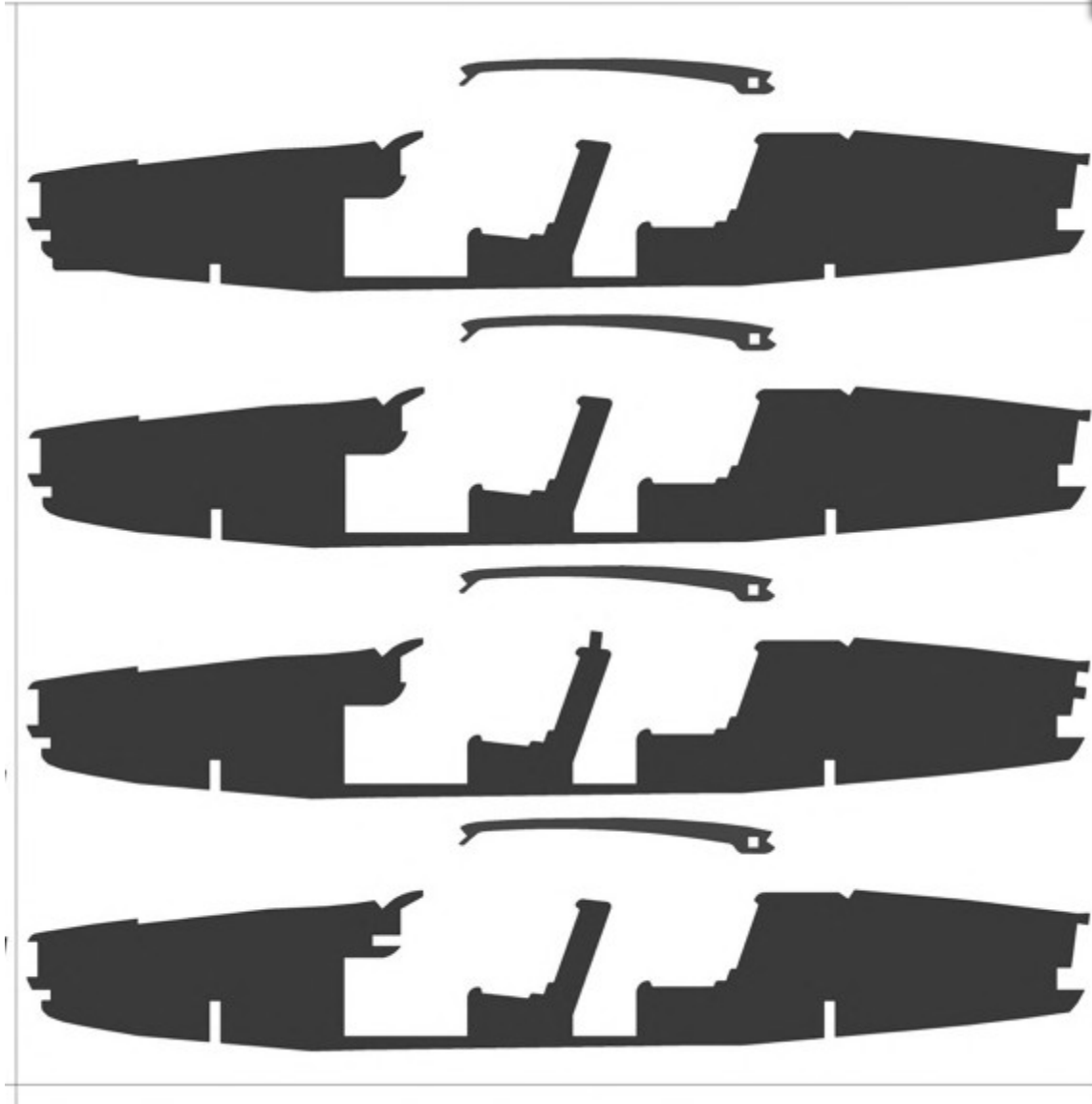
# PARTS LIST

[WWW.WOWWE.CO.ZA](http://WWW.WOWWE.CO.ZA)



**PARTS LIST**

[WWW.WOWWE.CO.ZA](http://WWW.WOWWE.CO.ZA)



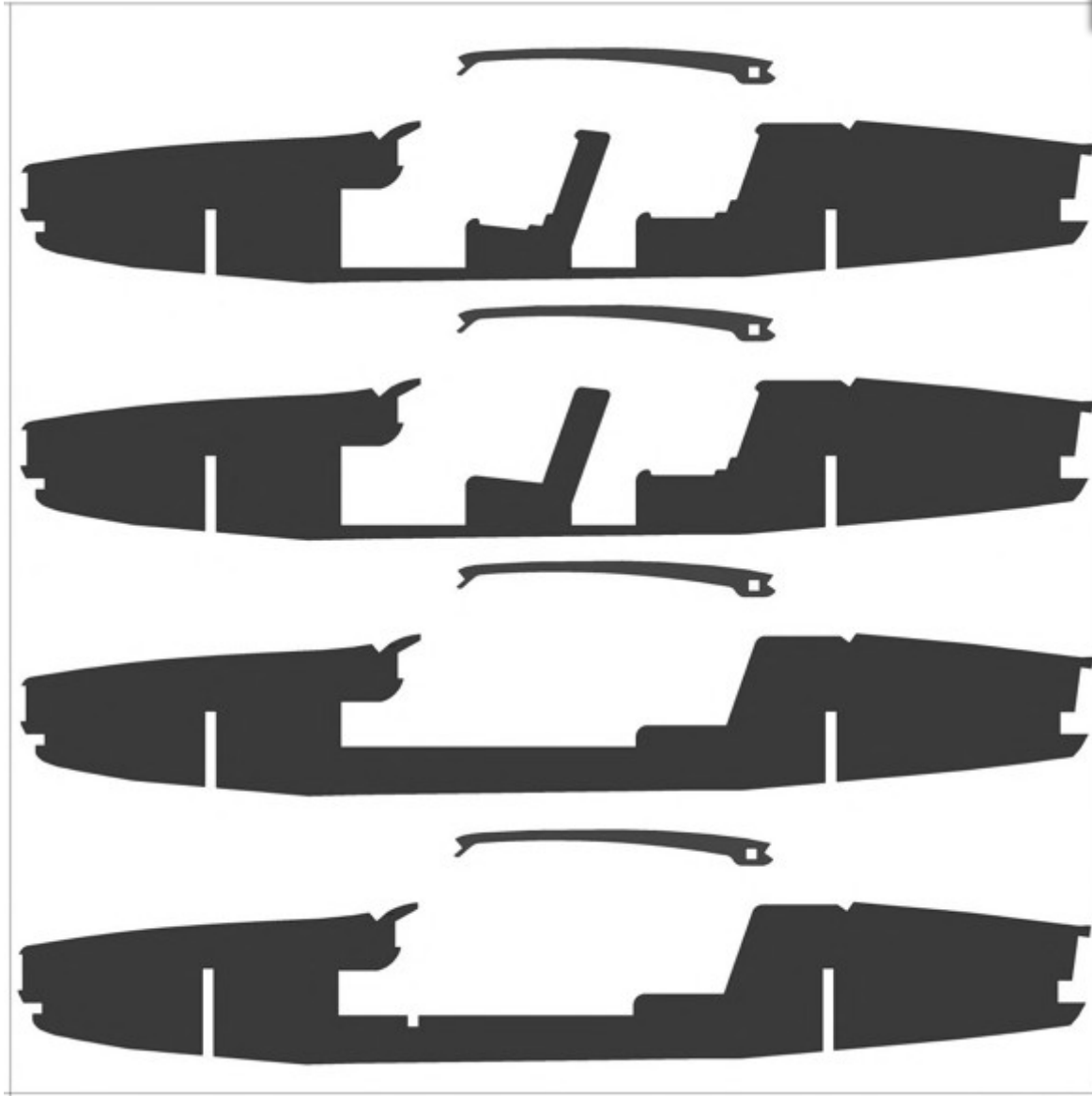
**PARTS LIST**

[WWW.WOWWE.CO.ZA](http://WWW.WOWWE.CO.ZA)



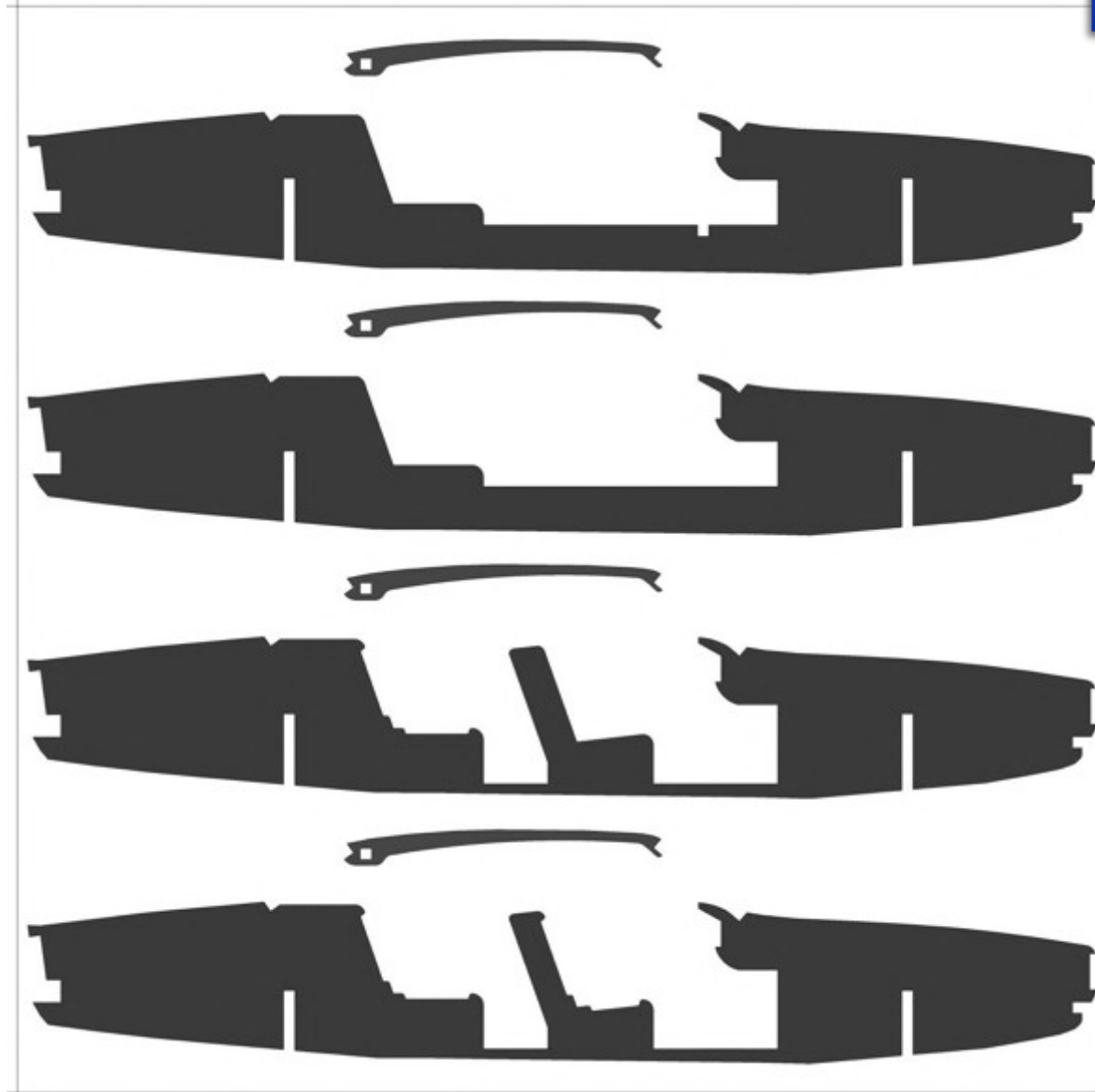
**PARTS LIST**

[WWW.WOWWE.CO.ZA](http://WWW.WOWWE.CO.ZA)



**PARTS LIST**

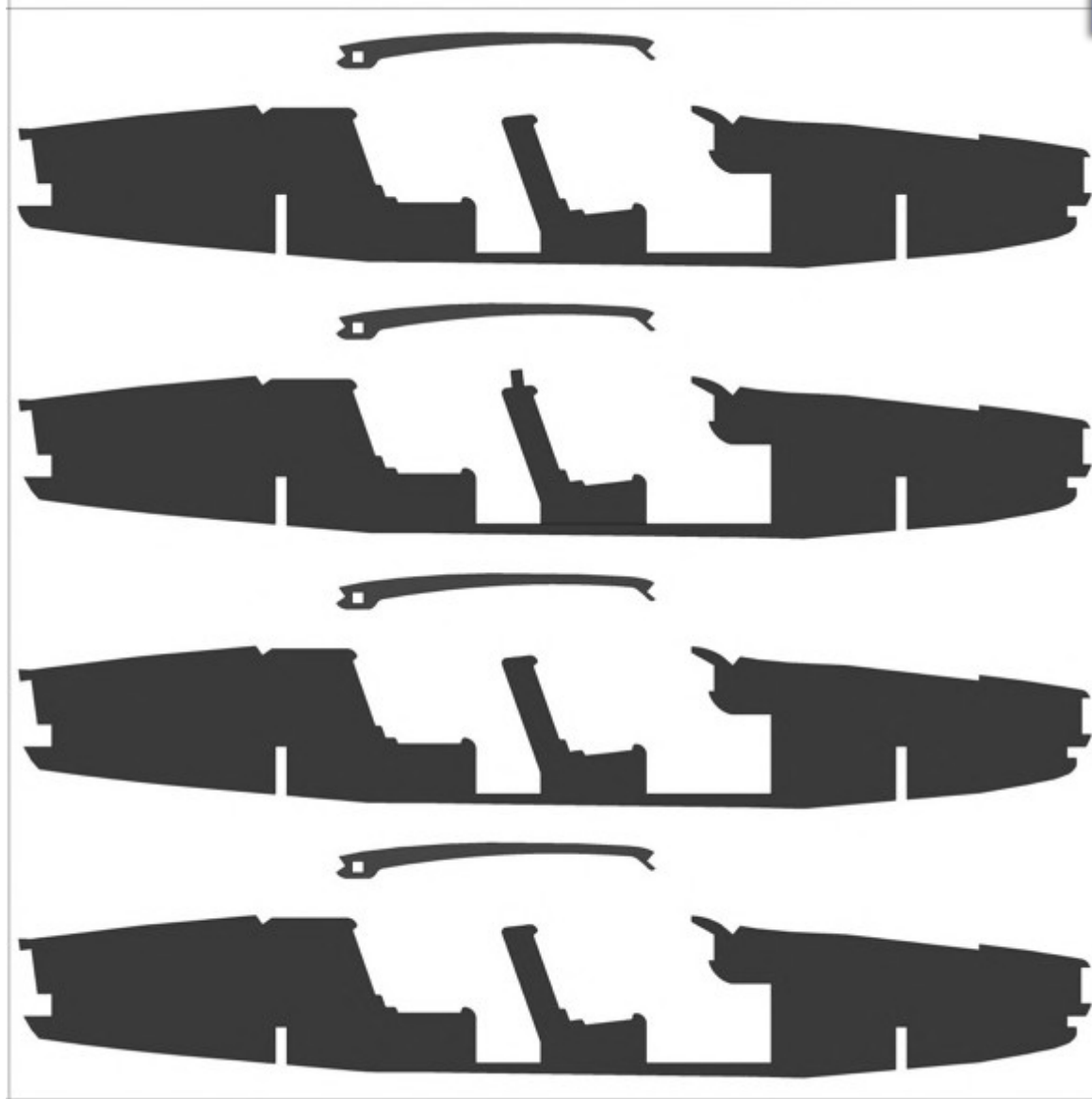
[WWW.WOWWE.CO.ZA](http://WWW.WOWWE.CO.ZA)



**PARTS LIST**

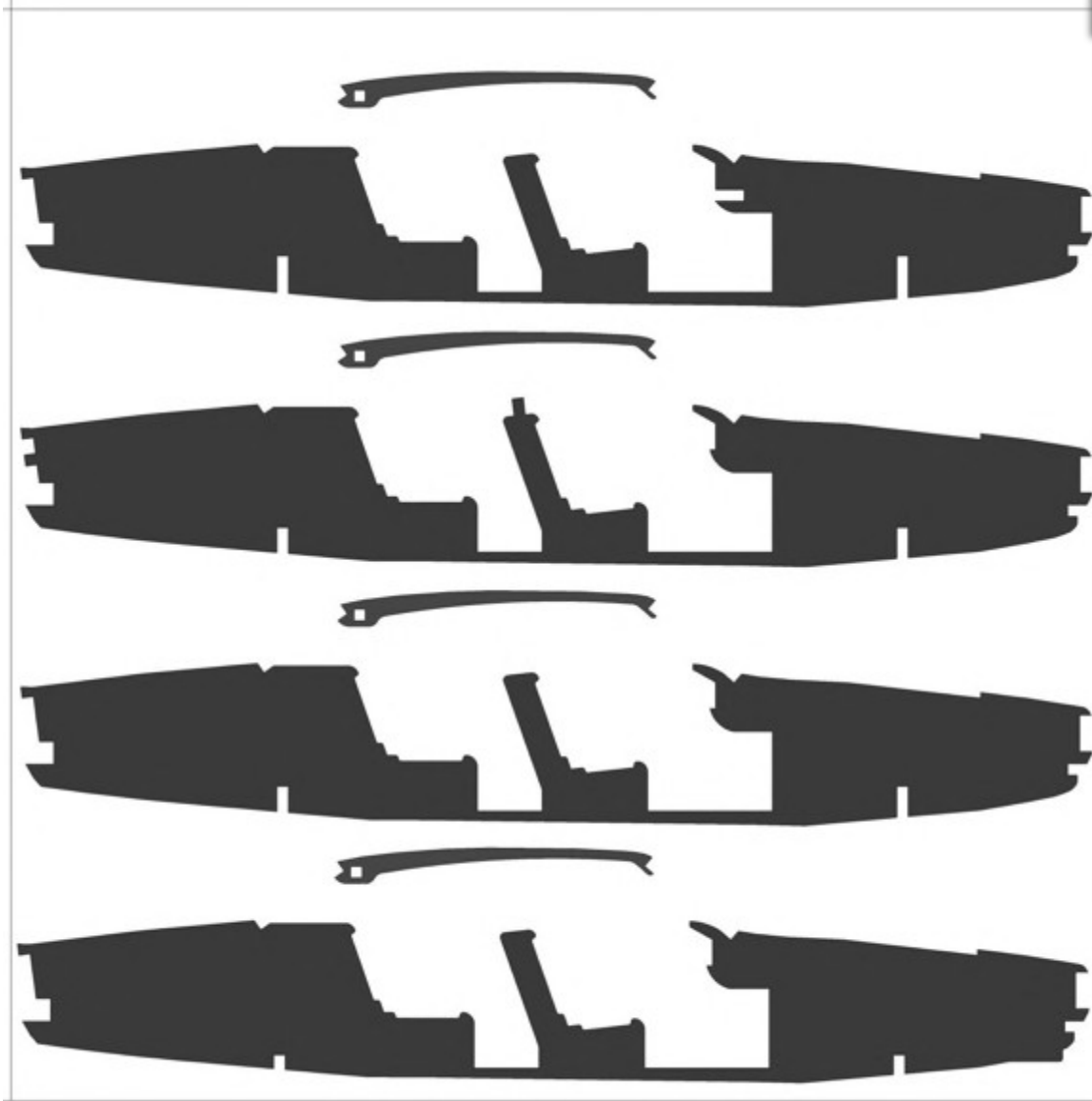
[WWW.WOWWE.CO.ZA](http://WWW.WOWWE.CO.ZA)





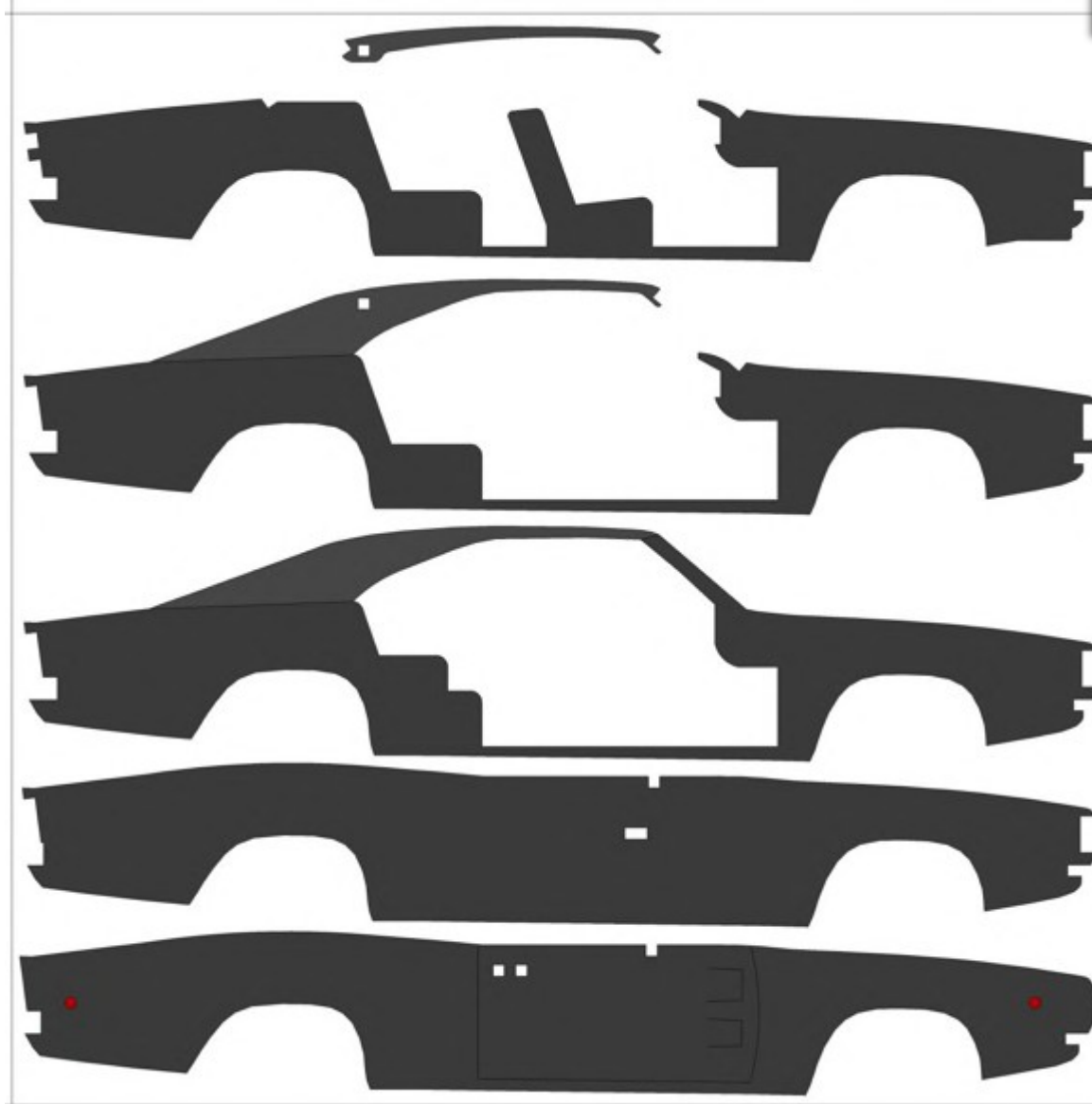
# PARTS LIST

[WWW.WOWWE.CO.ZA](http://WWW.WOWWE.CO.ZA)



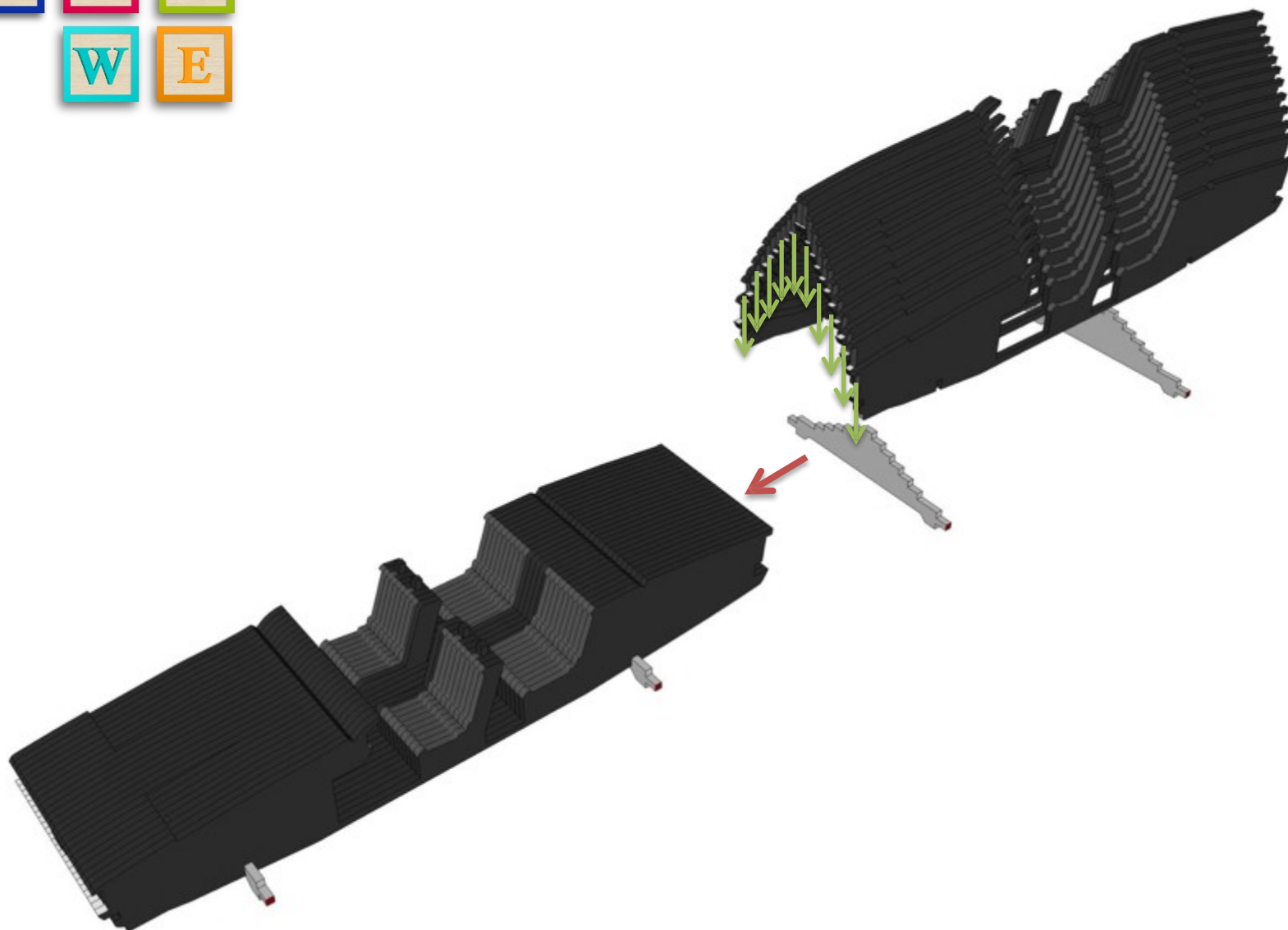
**PARTS LIST**

[WWW.WOWWE.CO.ZA](http://WWW.WOWWE.CO.ZA)

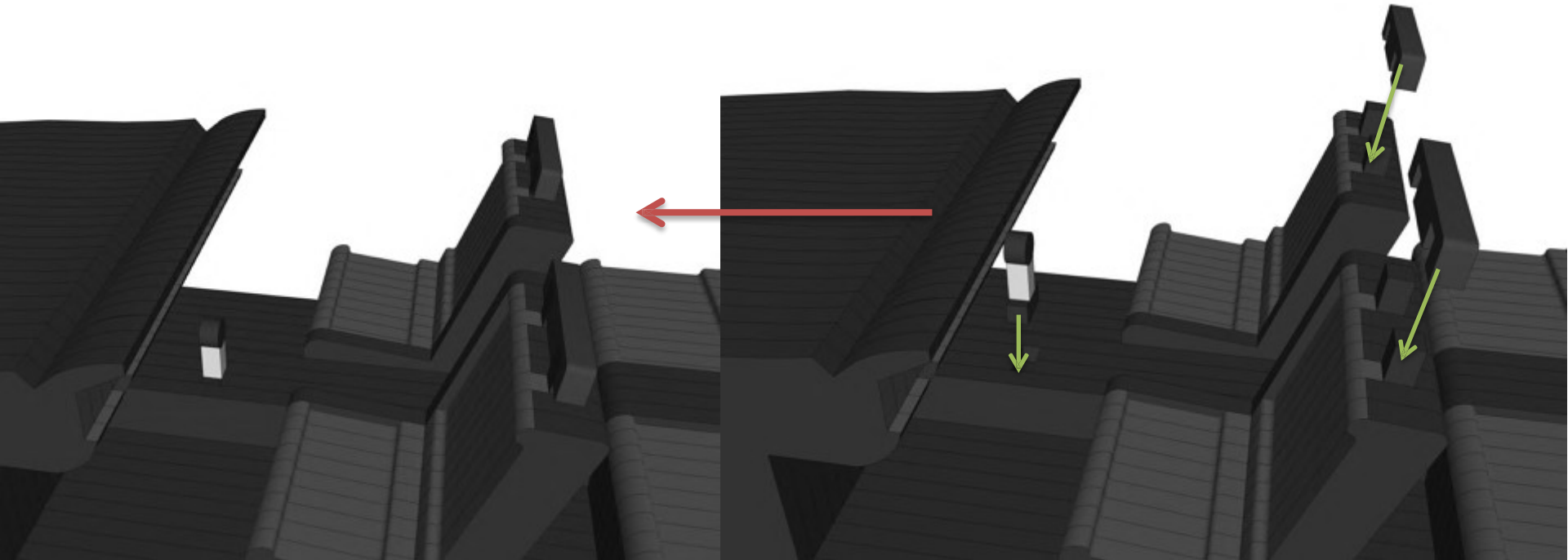


**PARTS LIST**

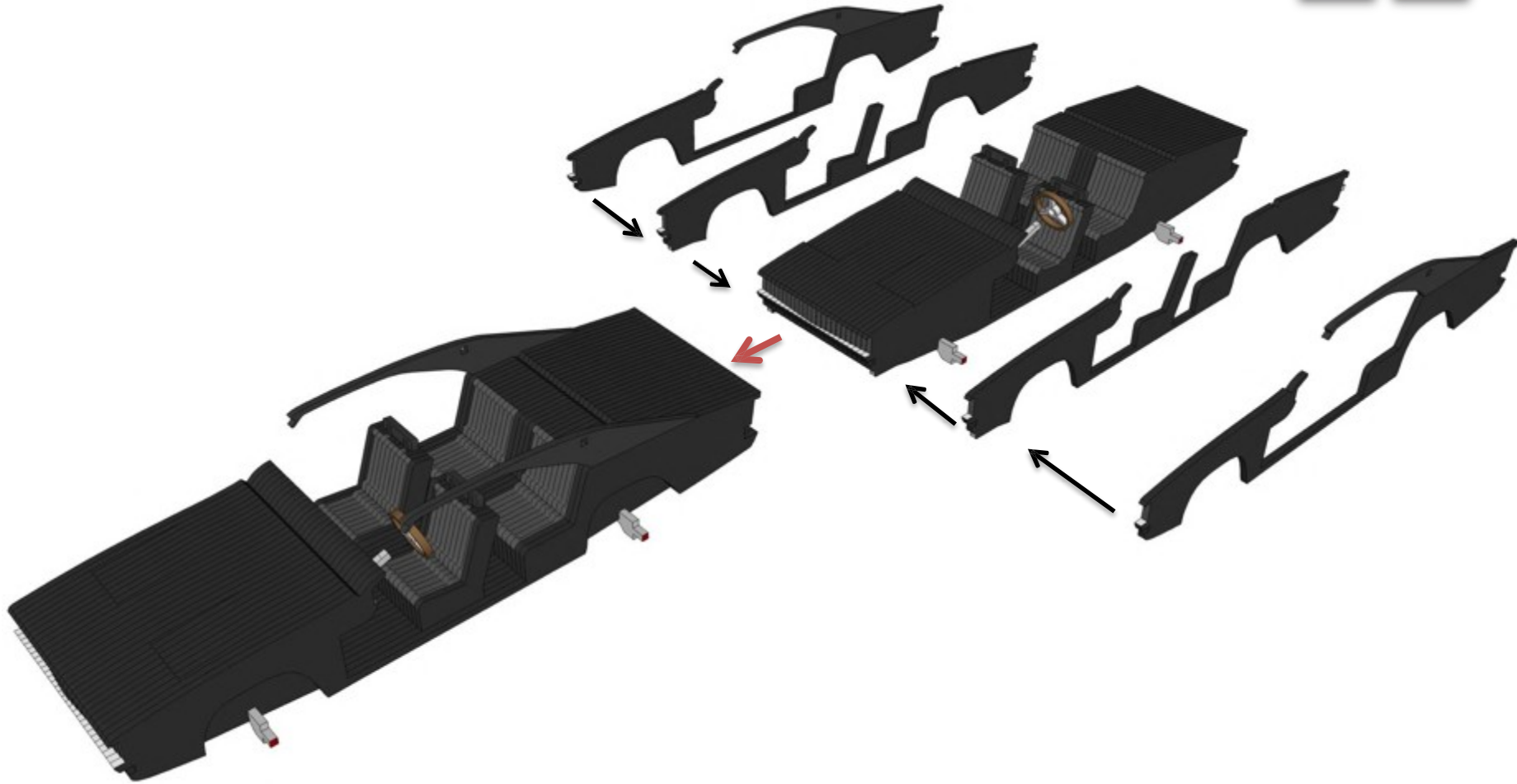
[WWW.WOWWE.CO.ZA](http://WWW.WOWWE.CO.ZA)



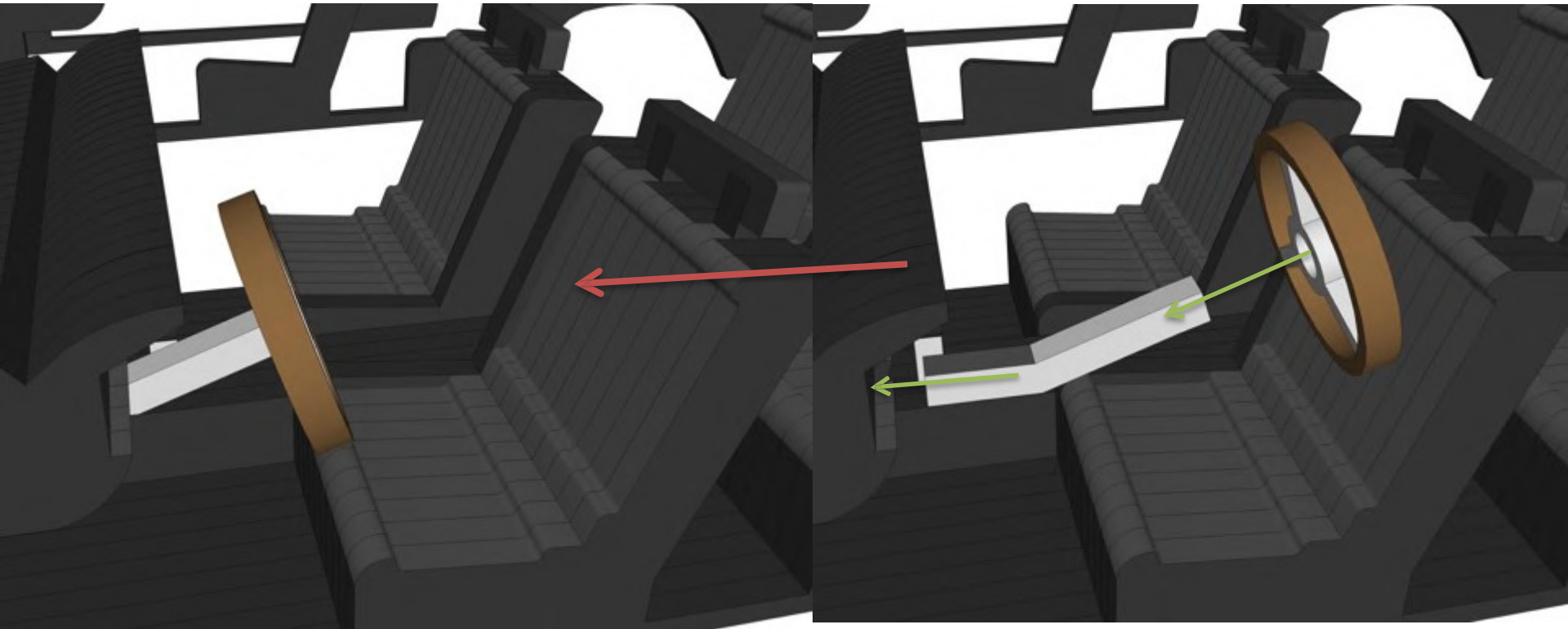
**ASSEMBLY STEPS** [WWW.WOWWE.CO.ZA](http://WWW.WOWWE.CO.ZA)



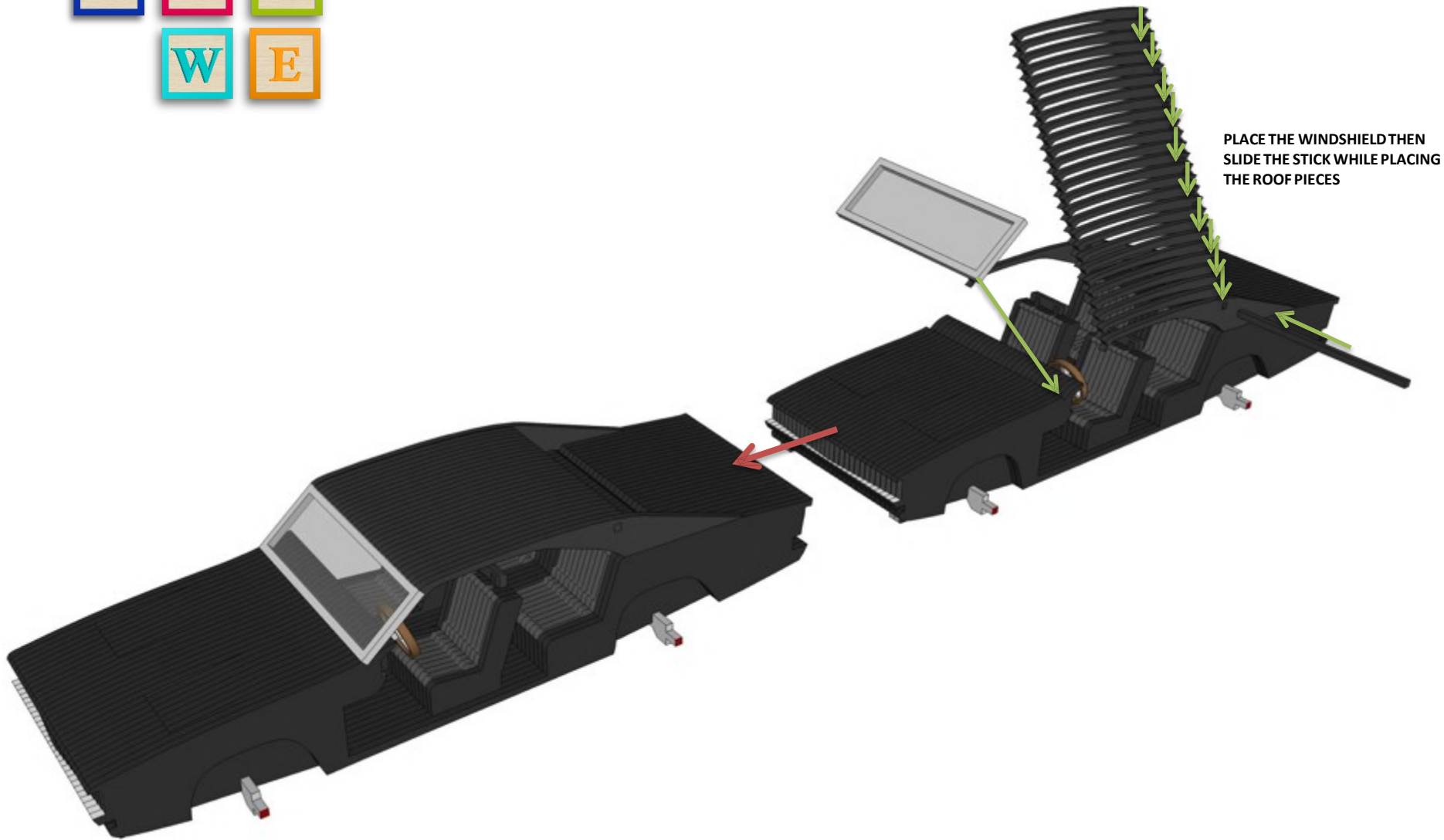
**ASSEMBLY STEPS** [WWW.WOWWE.CO.ZA](http://WWW.WOWWE.CO.ZA)



**ASSEMBLY STEPS** [WWW.WOWWE.CO.ZA](http://WWW.WOWWE.CO.ZA)



**ASSEMBLY STEPS** [WWW.WOWWE.CO.ZA](http://WWW.WOWWE.CO.ZA)

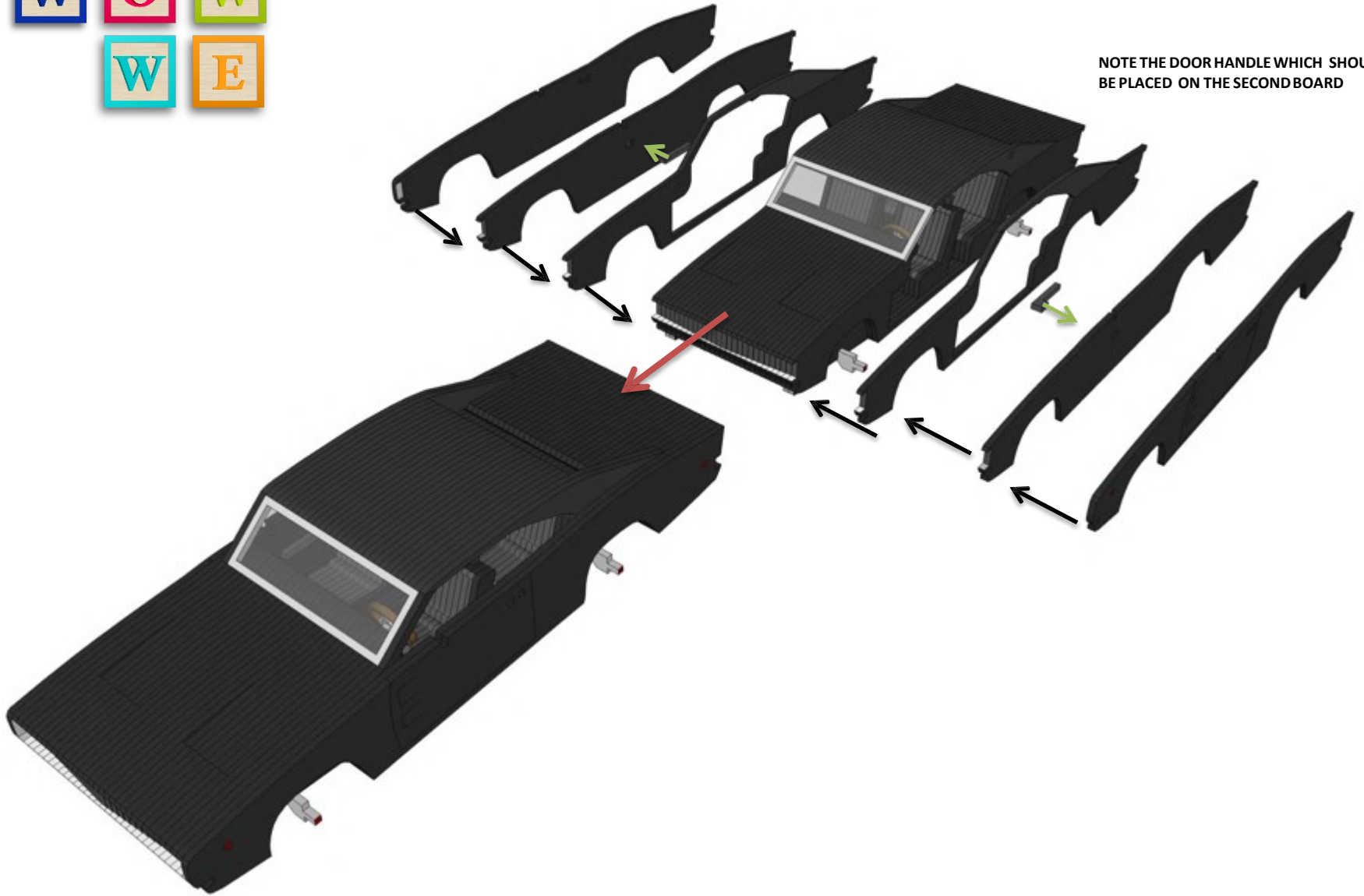


**ASSEMBLY STEPS** [WWW.WOWWE.CO.ZA](http://WWW.WOWWE.CO.ZA)

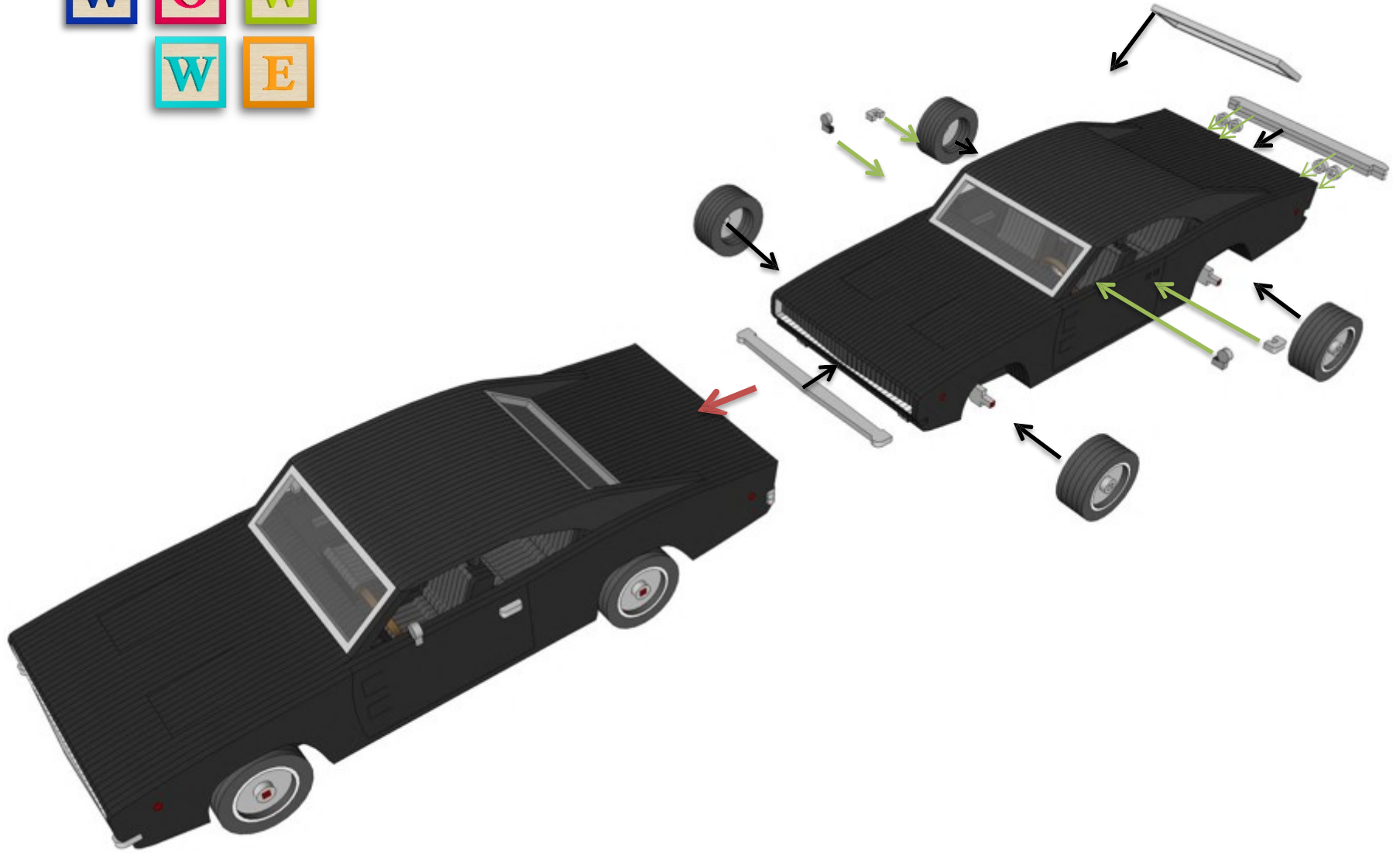




NOTE THE DOOR HANDLE WHICH SHOULD BE PLACED ON THE SECONDBOARD



# ASSEMBLY STEPS



**ASSEMBLY STEPS** [WWW.WOWWE.CO.ZA](http://WWW.WOWWE.CO.ZA)



**COMPLETED** [WWW.WOWWE.CO.ZA](http://WWW.WOWWE.CO.ZA)