

CAUTION! • CAUTION! • CAUTION! • CAUTION! • CAUTION!

WHOA!!! CAUTION NOT SO FAST

This product is made out of MDF / Supawood and is fragile of nature.

We recommend all pieces to be test fitted and if required contact pieces to be filled / sanded down for a better fit.

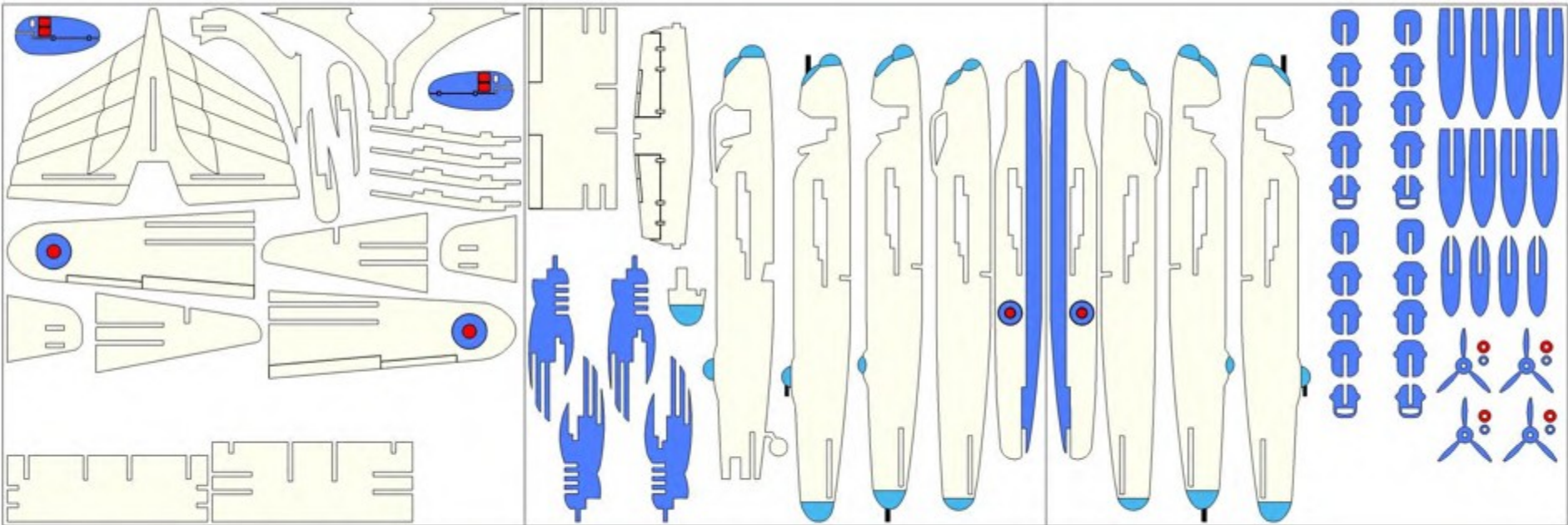
**PLEASE DO NOT FORCE FIT ANY PIECES AS IT
WILL BREAK!**

ENJOY BUILDING YOUR NEW MODEL.



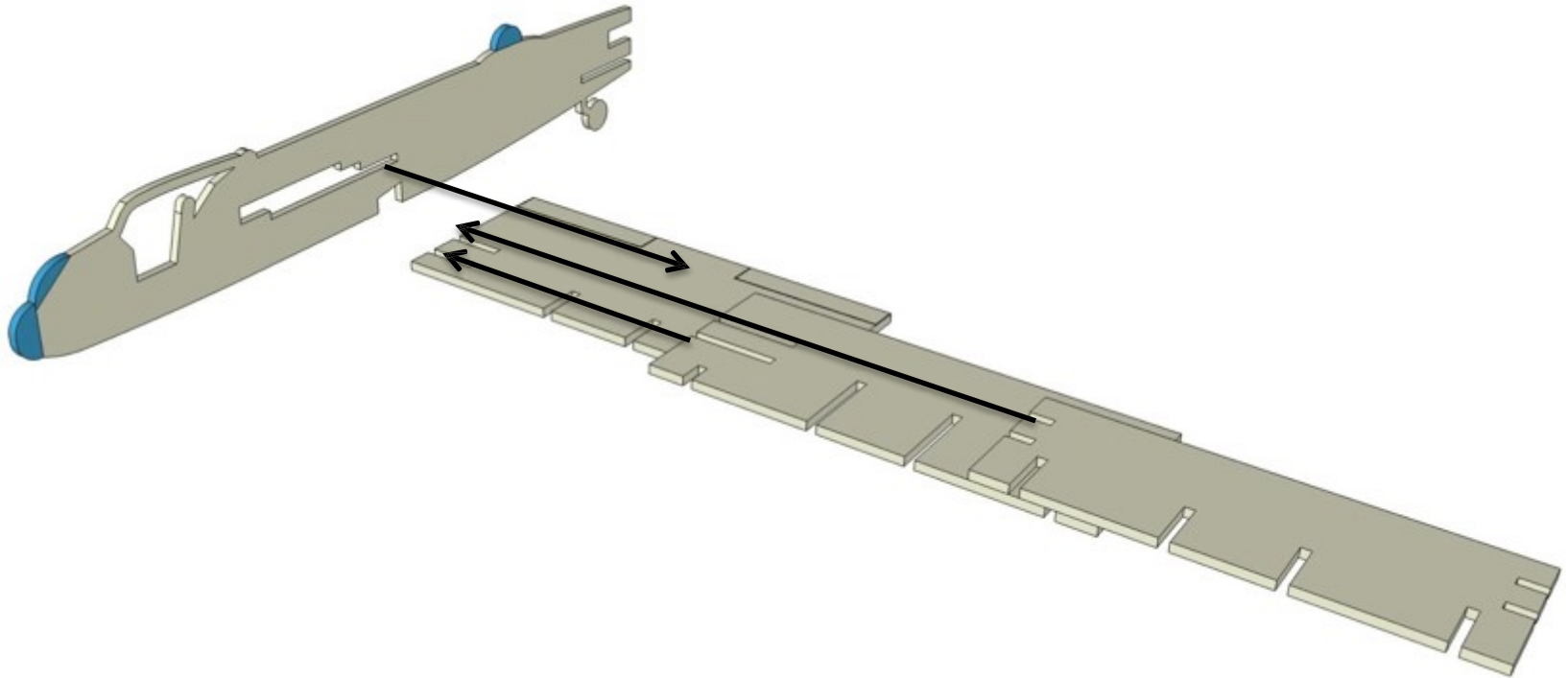
SIMPLE LANCASTER PLANE

WWW.WOWWE.CO.ZA

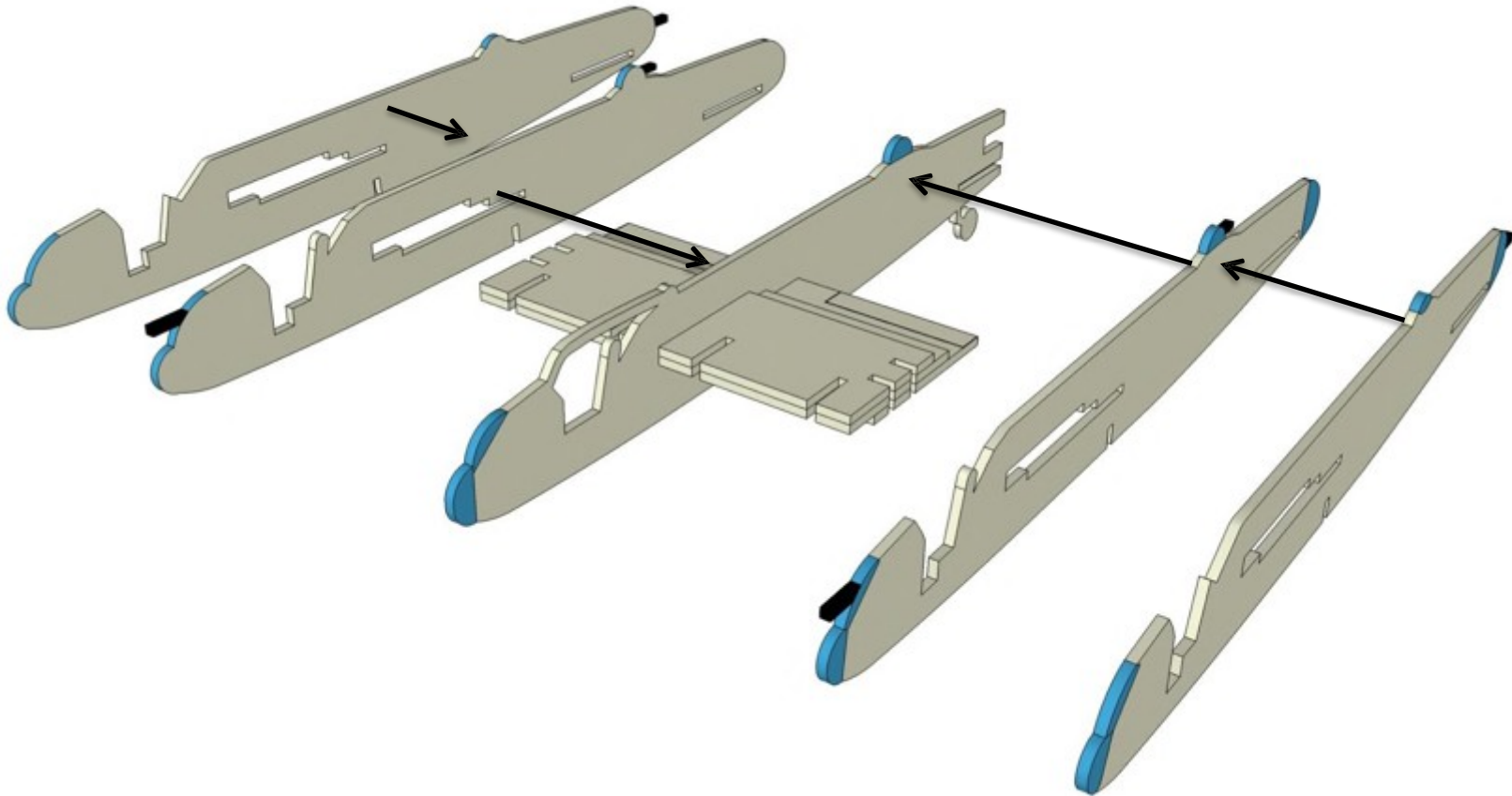


PARTS LIST

IT IS RECOMMENDED TO GO THROUGH ALL THE PAGES
AND SEE EACH STEP BEFORE STARTING THE ASSEMBLY

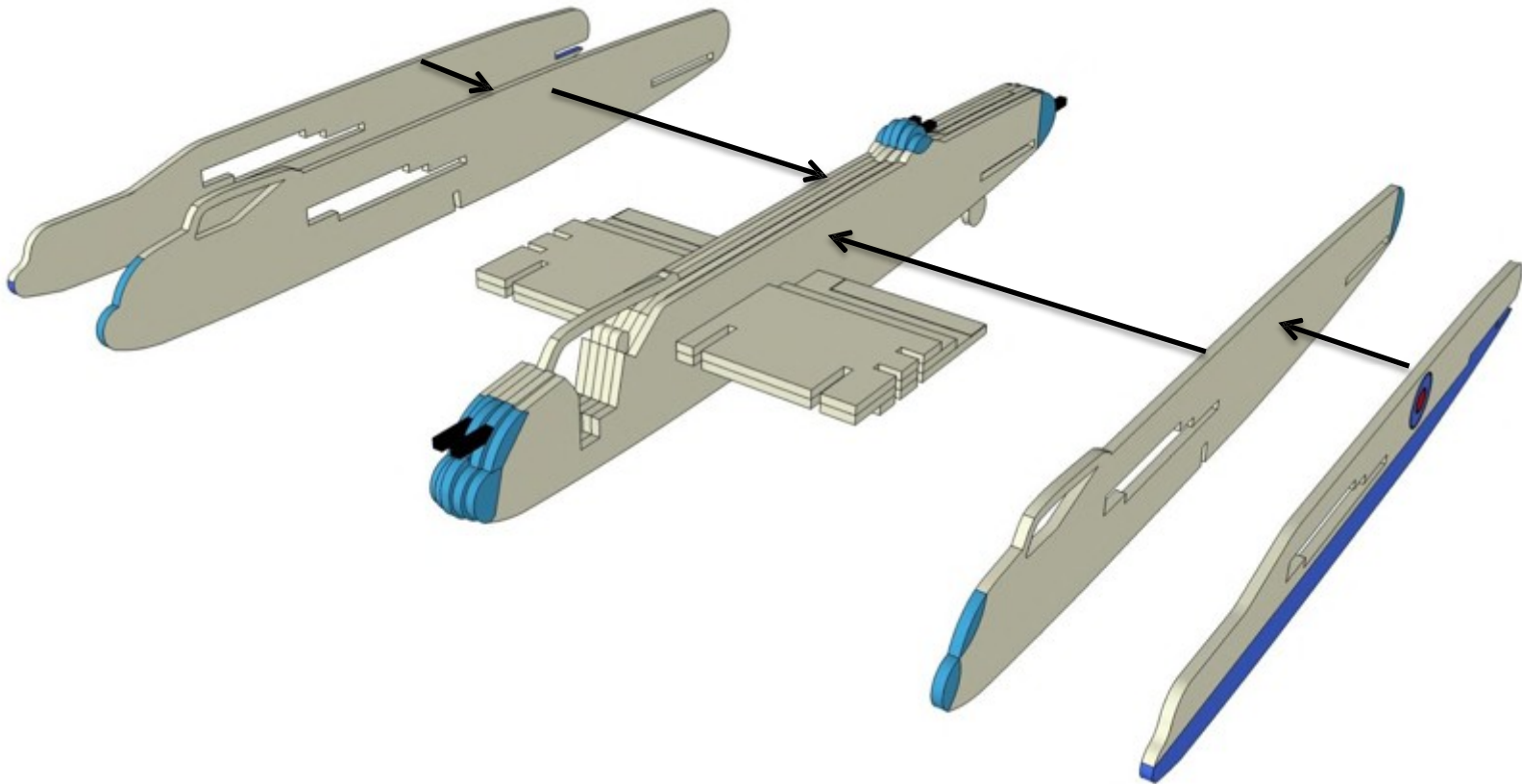


ASSEMBLY STEPS



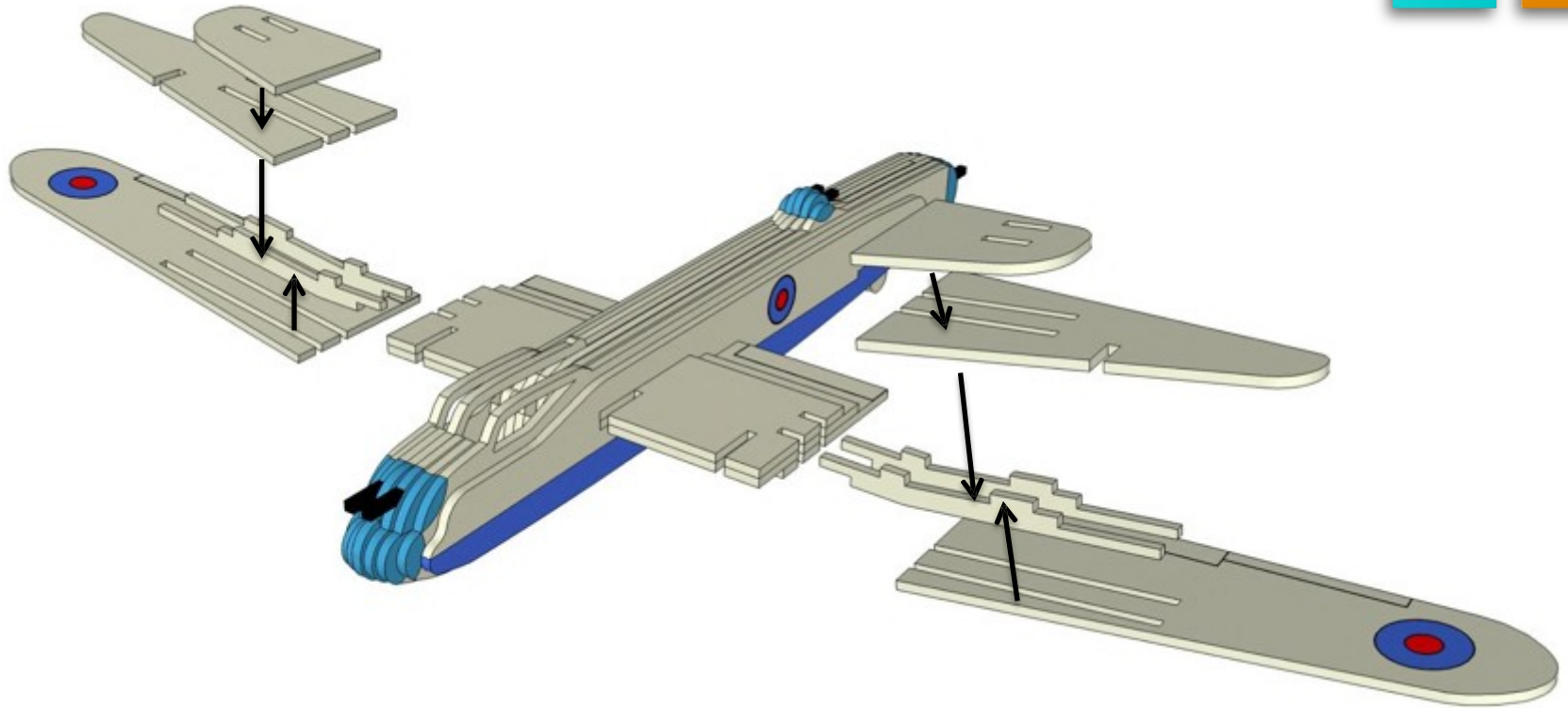
ASSEMBLY STEPS

WWW.WOWWE.CO.ZA

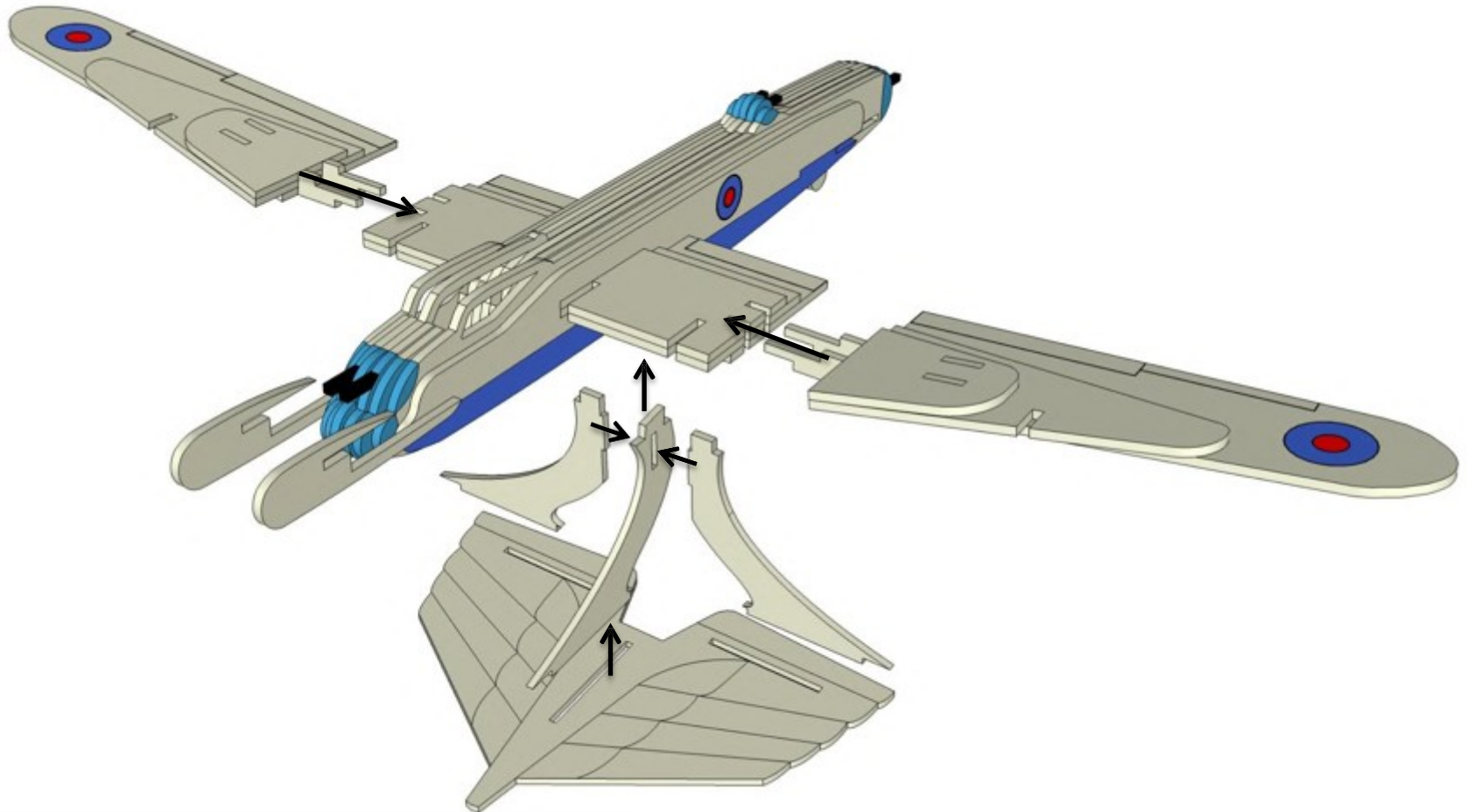


ASSEMBLY STEPS

WWW.WOWWE.CO.ZA



ASSEMBLY STEPS

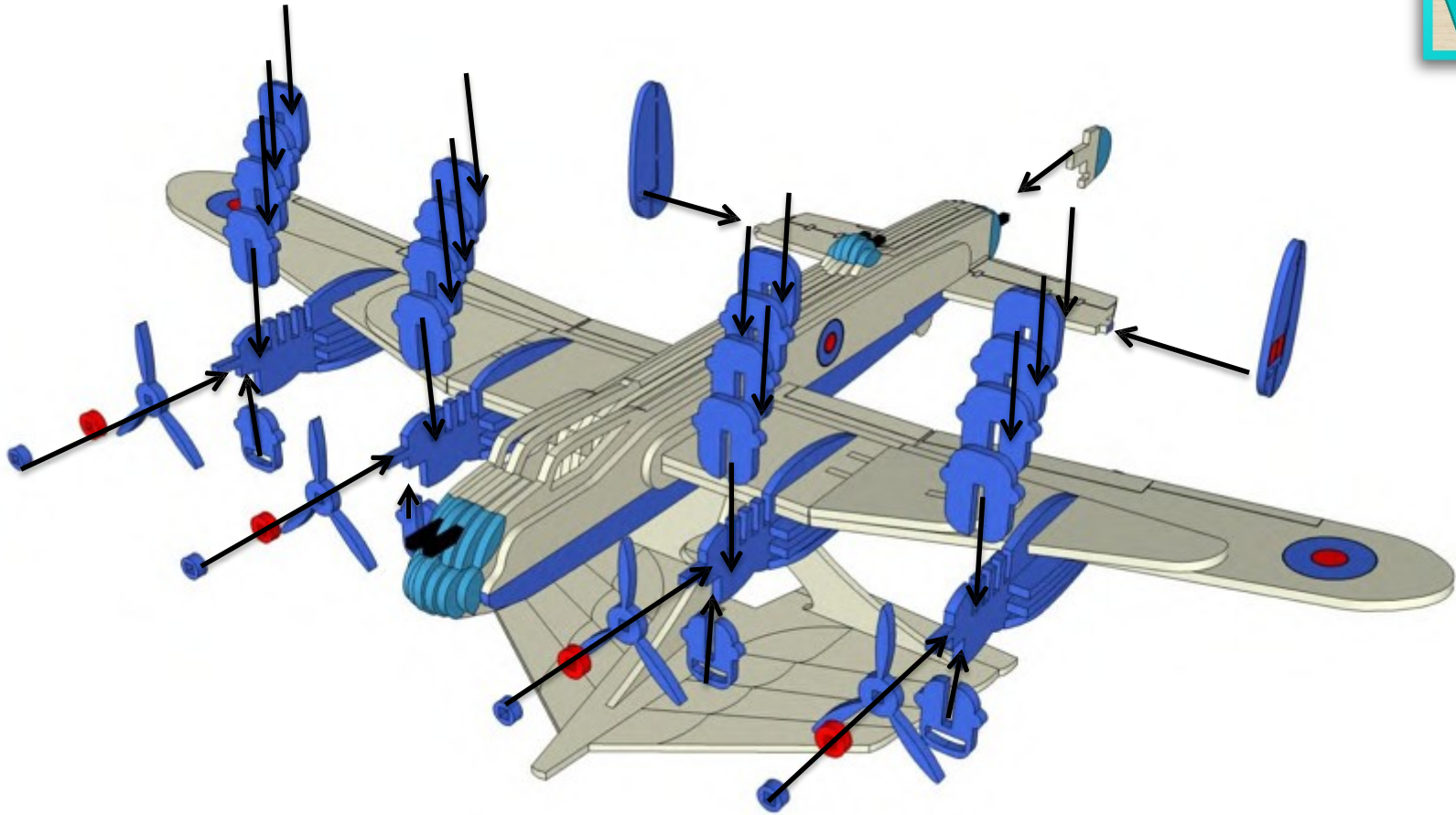


ASSEMBLY STEPS

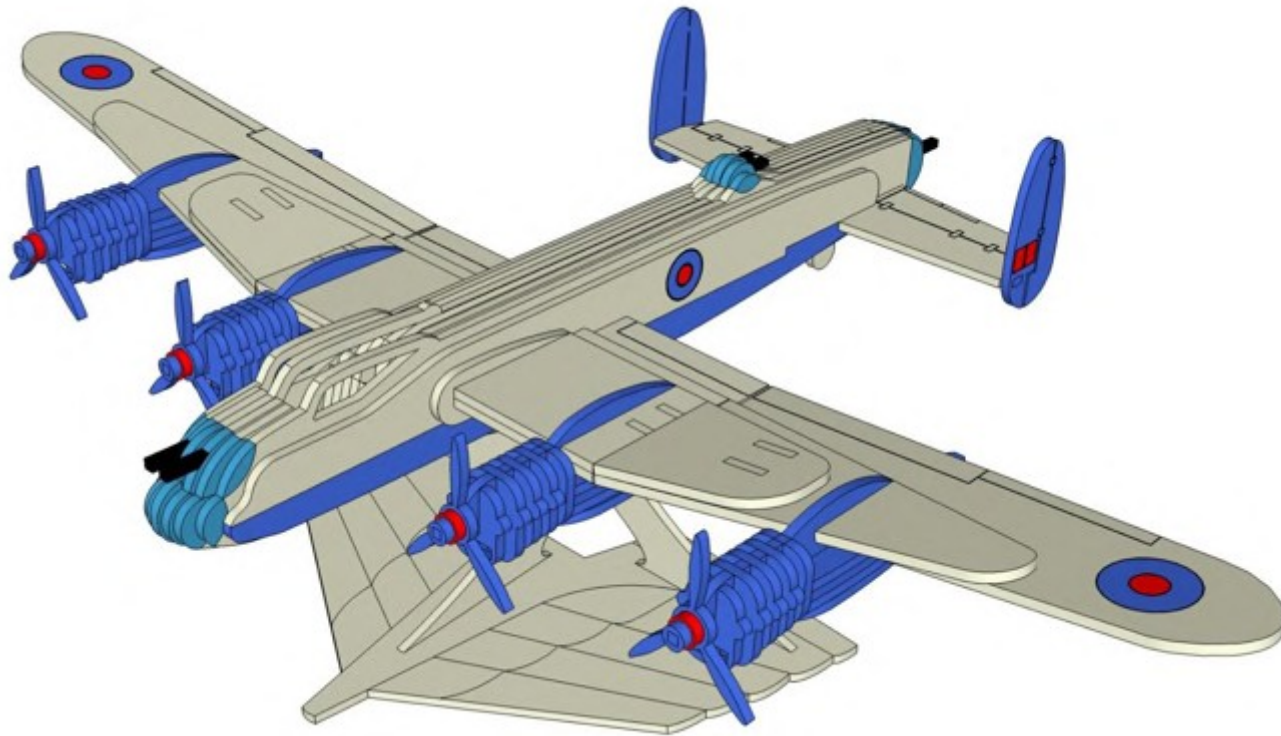
WWW.WOWWE.CO.ZA



ASSEMBLY STEPS



ASSEMBLY STEPS



COMPLETE

WWW.WOWWE.CO.ZA

W O W
W E



COMPLETE