

CAUTION! • CAUTION! • CAUTION! • CAUTION! • CAUTION!

WHOA!!! CAUTION NOT SO FAST

This product is made out of MDF / Supawood and is fragile of nature.

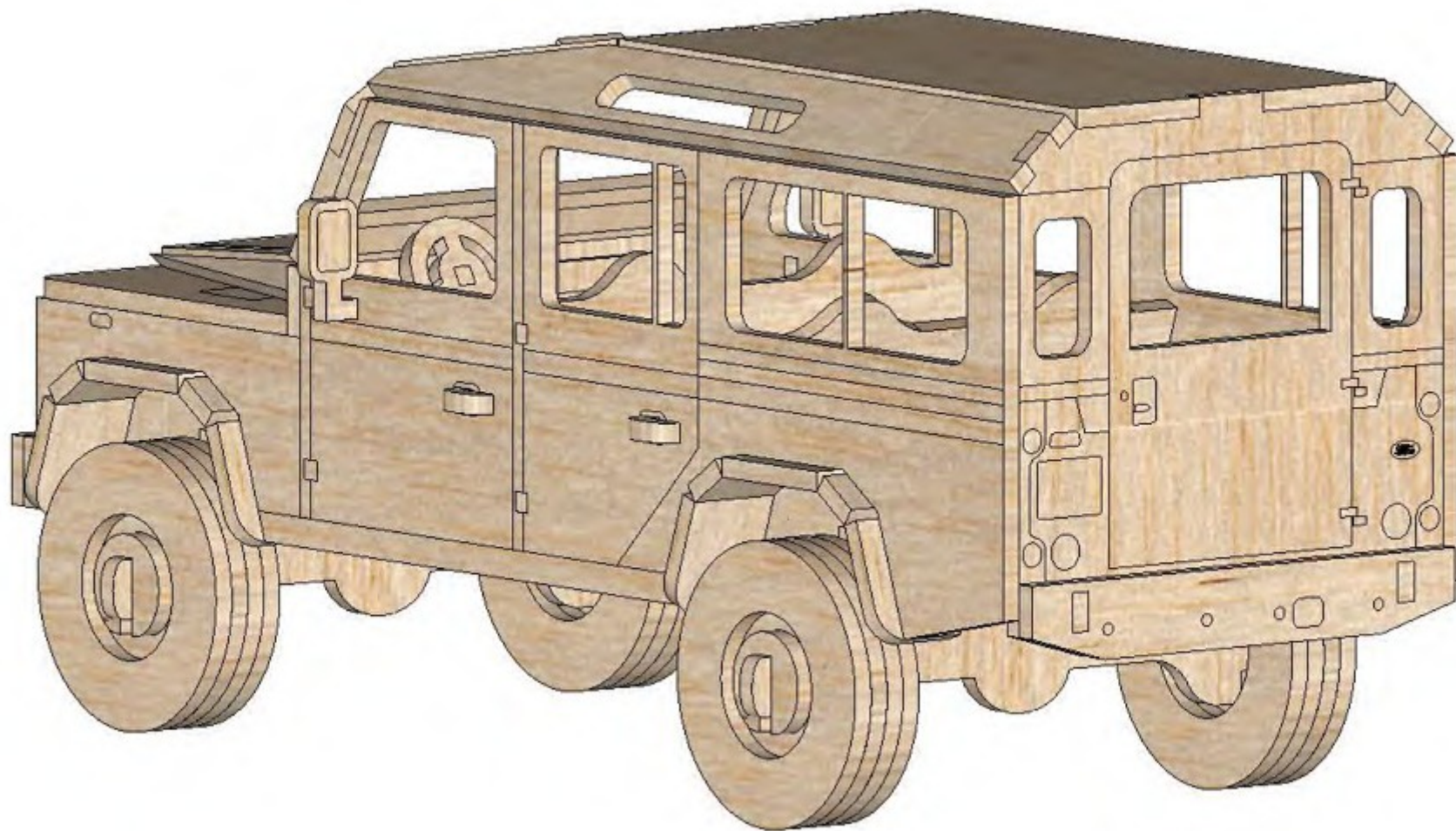
We recommend all pieces to be test fitted and if required contact pieces to be filled / sanded down for a better fit.

**PLEASE DO NOT FORCE FIT ANY PIECES AS IT
WILL BREAK!**

ENJOY BUILDING YOUR NEW MODEL.

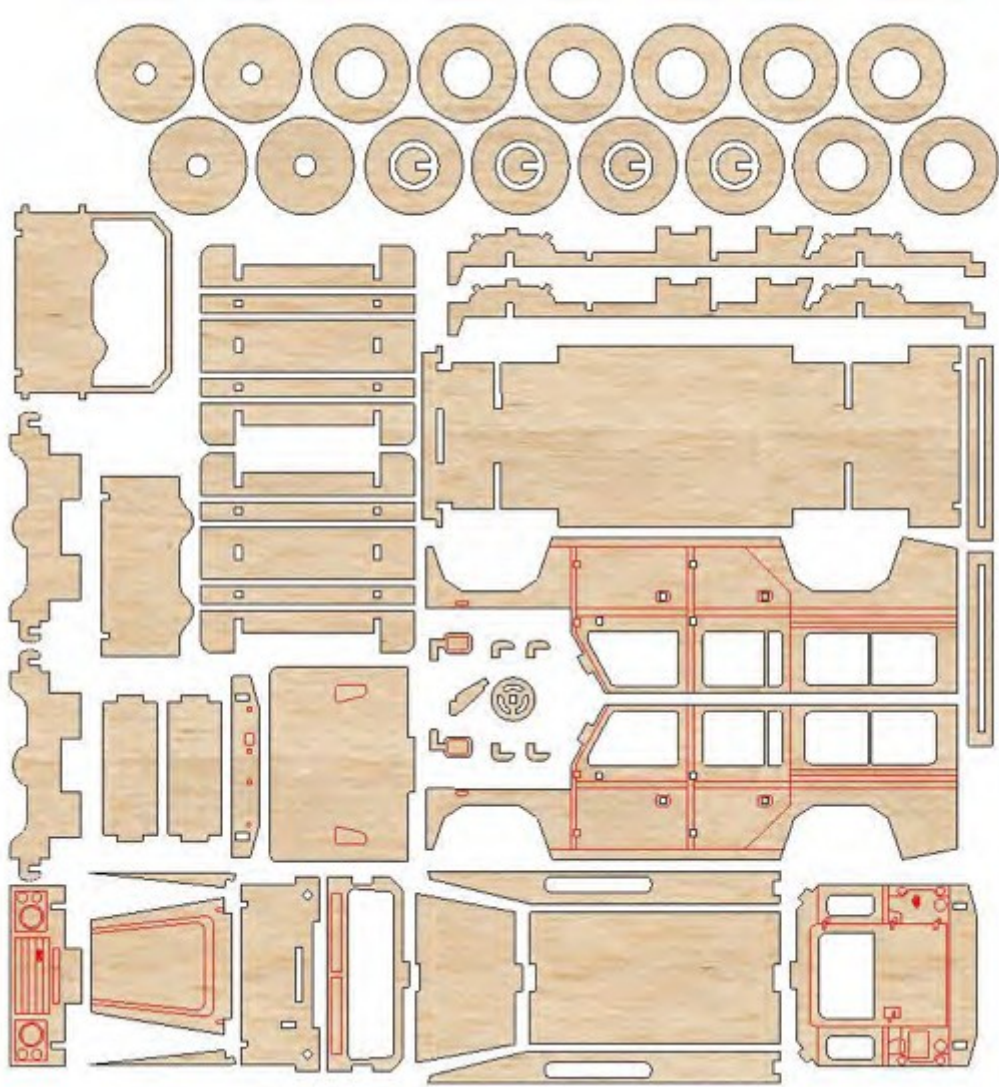


LANDROVER



LANDROVER

PARTS LIST

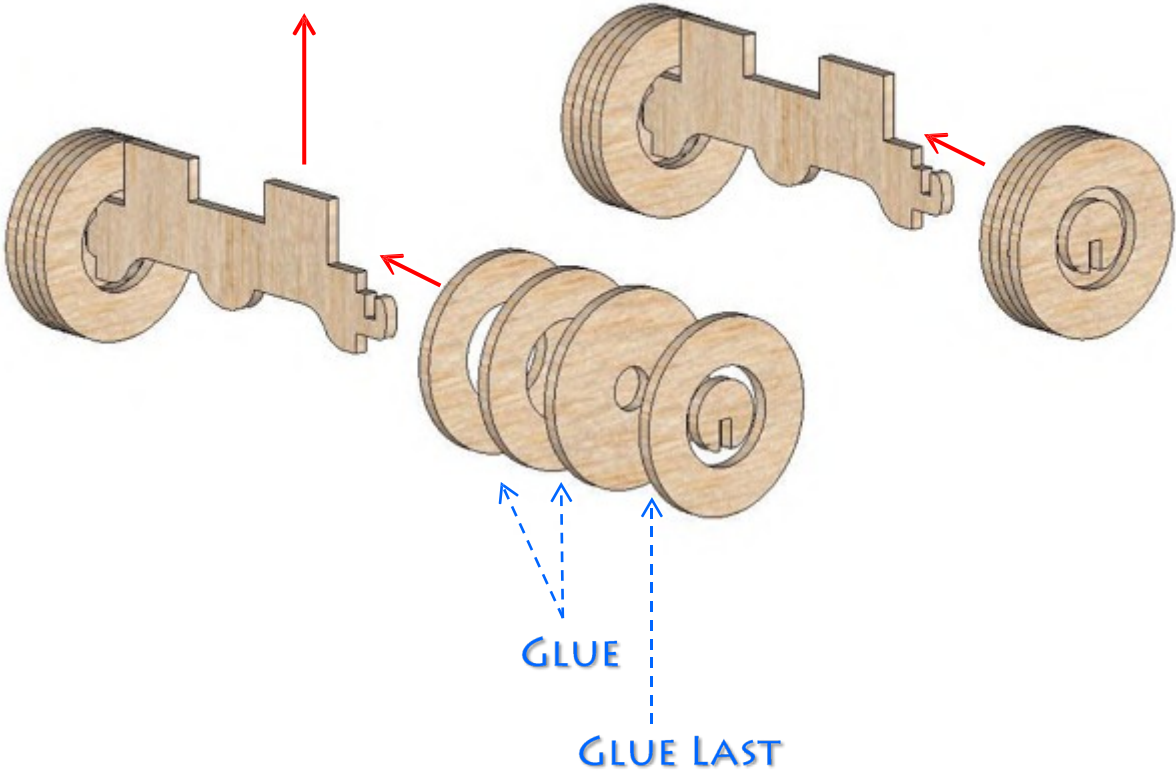


ENGRAVING



WWW.WOWWE.CO.ZA

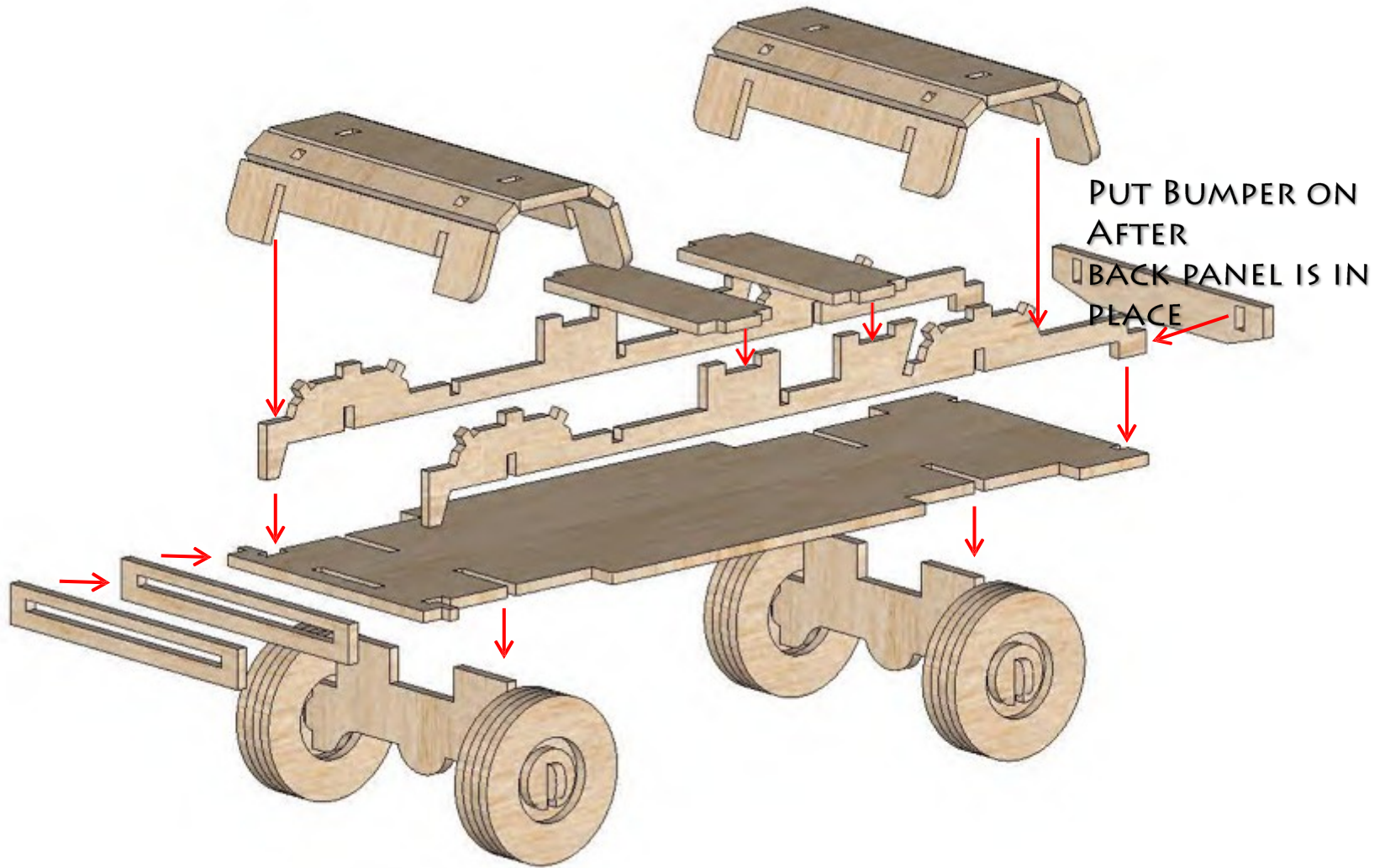
ASSEMBLY STEPS



WHEELS

WWW.WOWWE.CO.ZA

ASSEMBLY STEPS

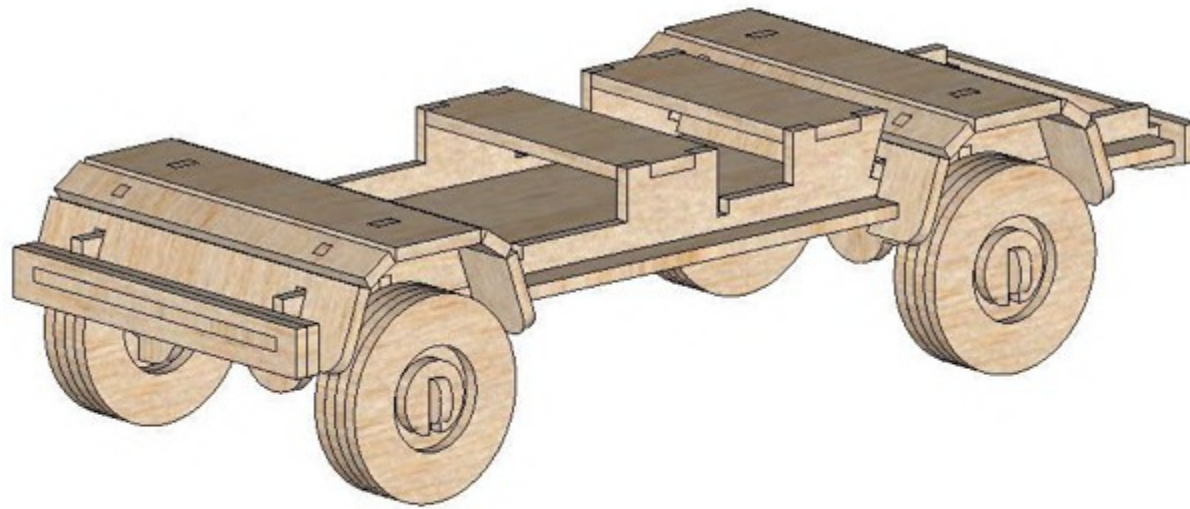


PUT BUMPER ON
AFTER
BACK PANEL IS IN
PLACE

FRAME AND FENDERS

WWW.WOWWE.CO.ZA

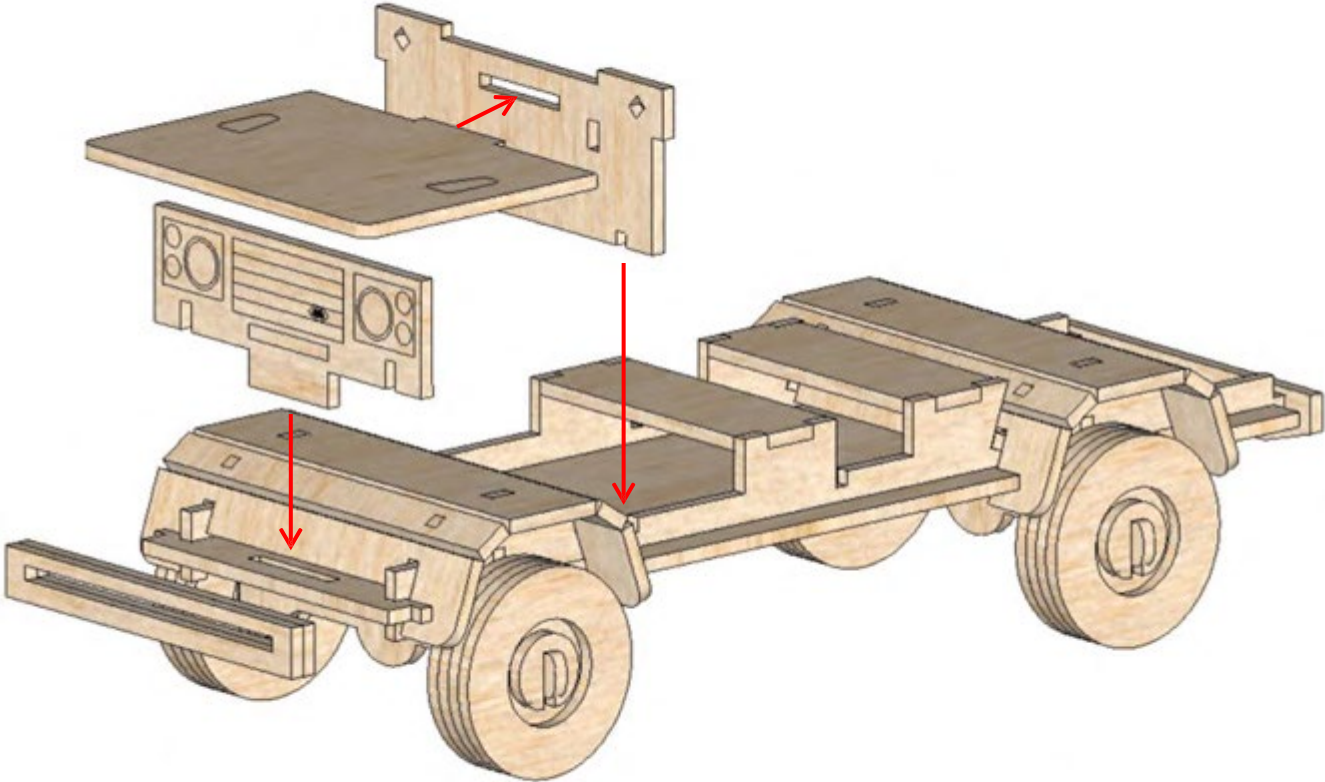
ASSEMBLY STEPS



FRAME AND FENDERS

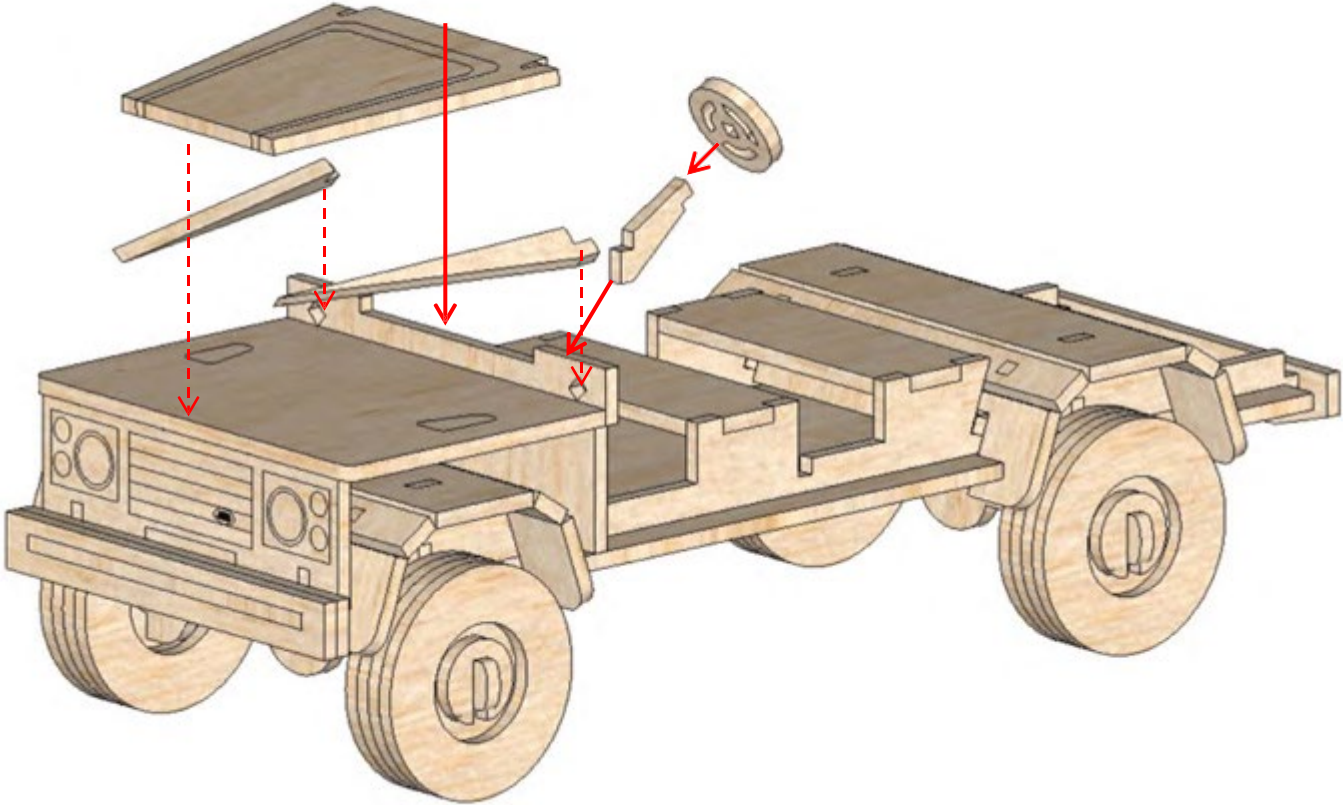
WWW.WOWWE.CO.ZA

ASSEMBLY STEPS



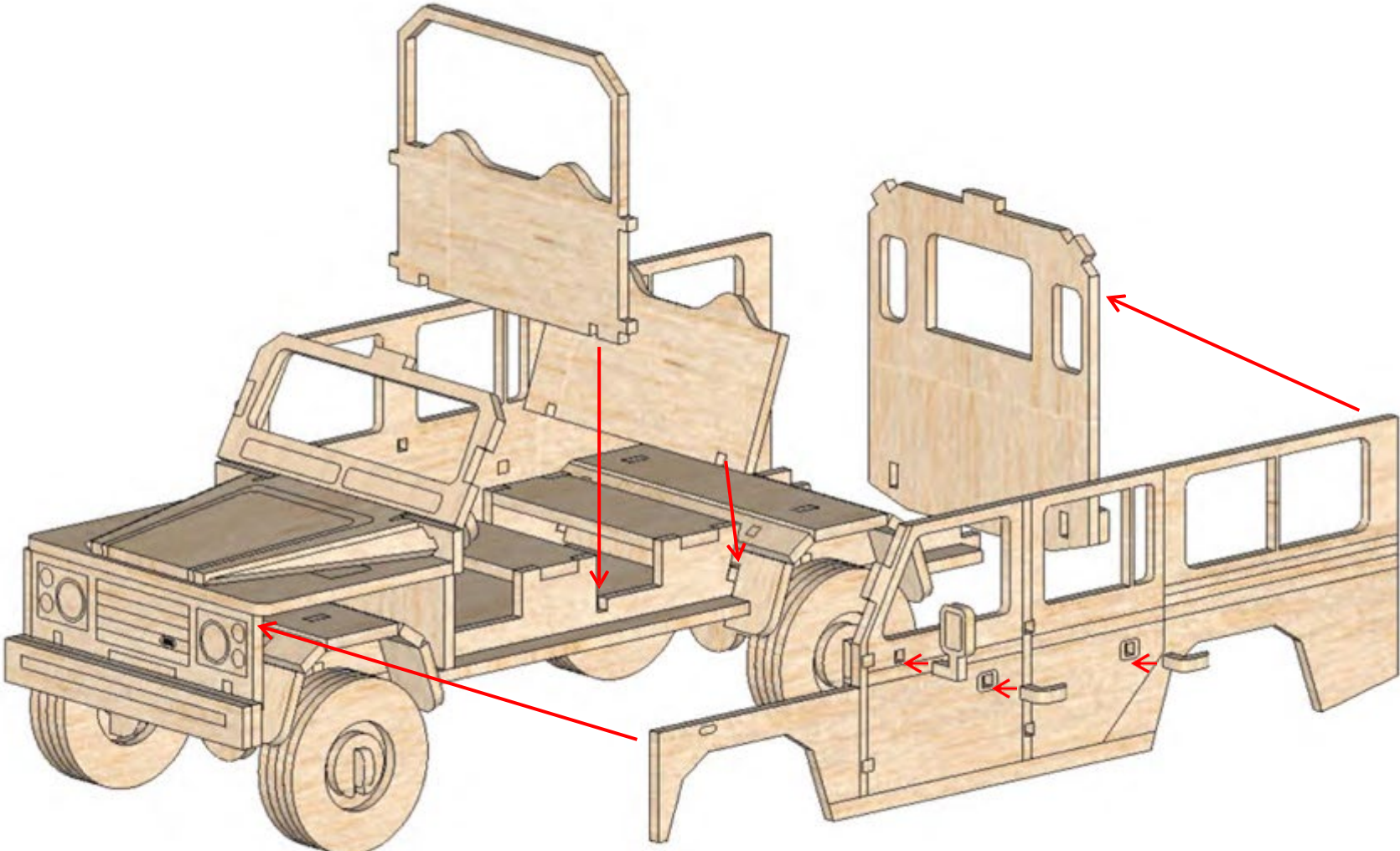
HOOD

ASSEMBLY STEPS



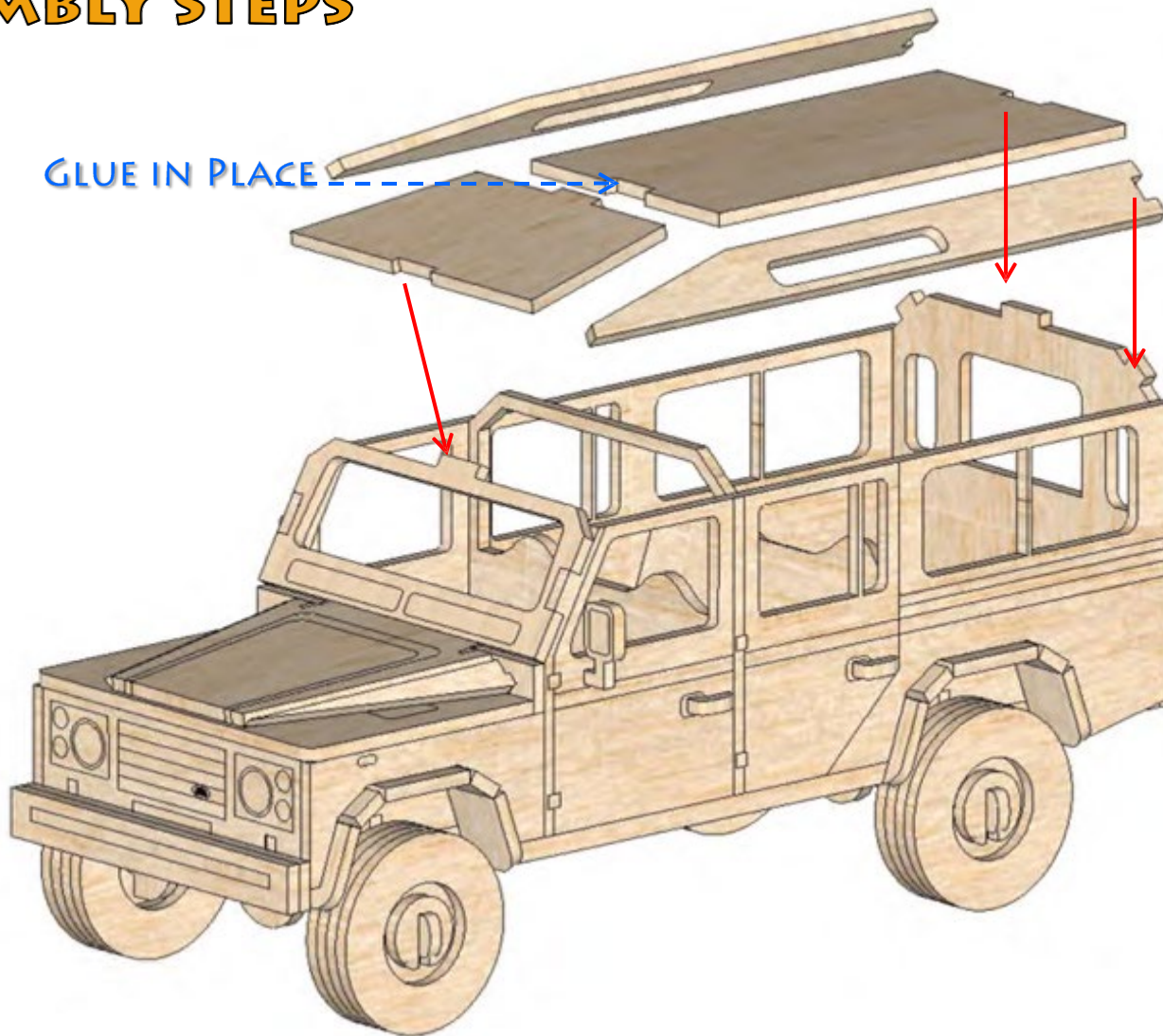
HOOD

ASSEMBLY STEPS



BODY

ASSEMBLY STEPS



ROOF