

CAUTION! • CAUTION! • CAUTION! • CAUTION! • CAUTION!

WHOA!!! CAUTION NOT SO FAST

This product is made out of MDF / Supawood and is fragile of nature.

We recommend all pieces to be test fitted and if required contact pieces to be filled / sanded down for a better fit.

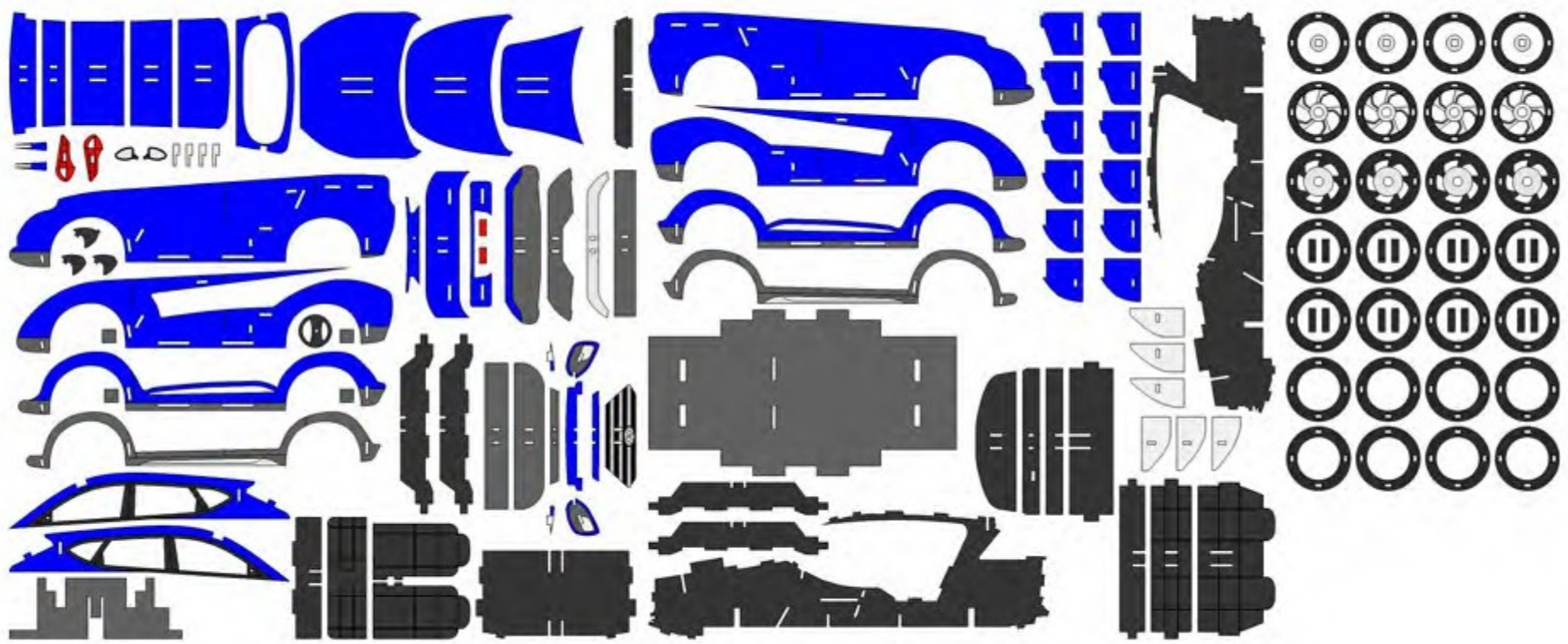
**PLEASE DO NOT FORCE FIT ANY PIECES AS IT
WILL BREAK!**

ENJOY BUILDING YOUR NEW MODEL.



HYUNDAI TUCSON

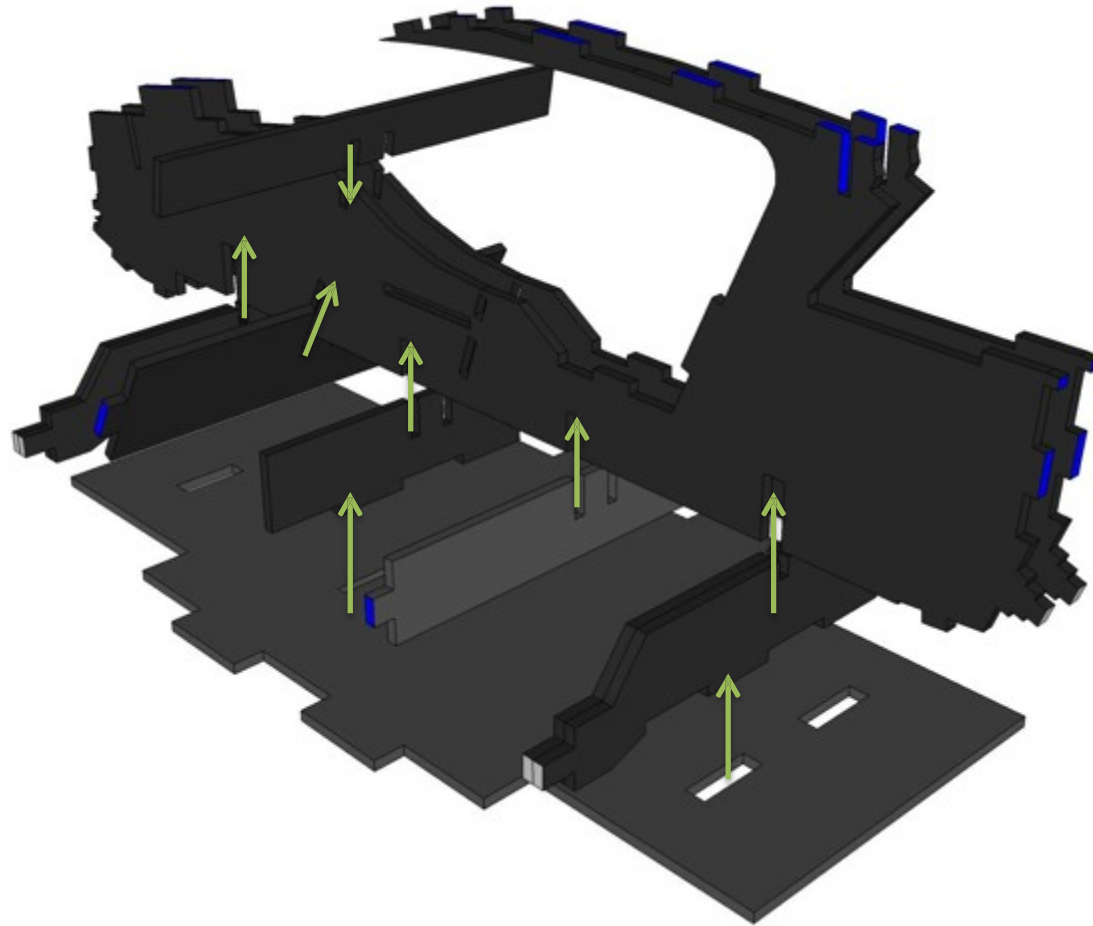
WWW.WOWWE.CO.ZA



PARTS LIST

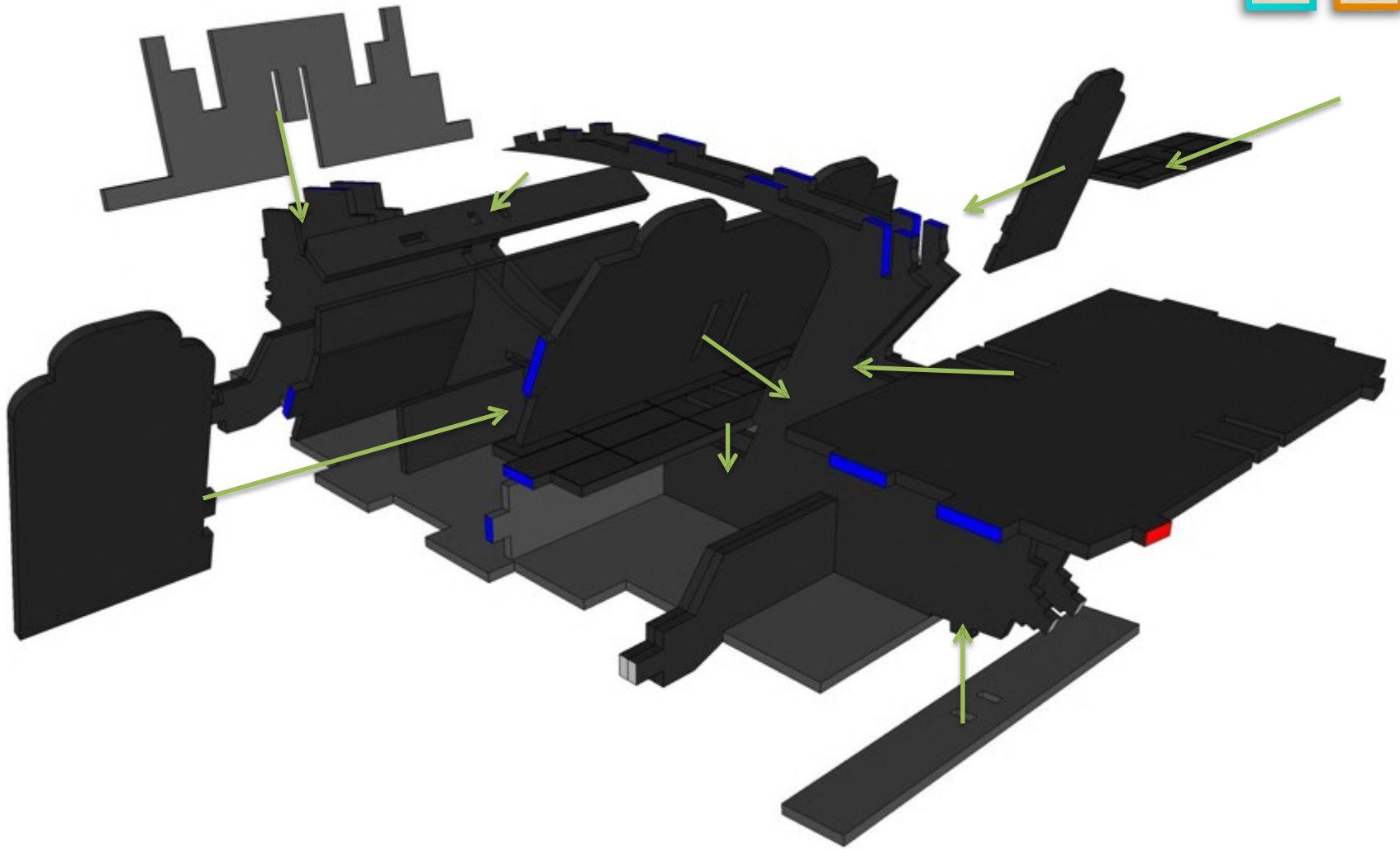
WWW.WOWWE.CO.ZA

IT IS RECOMMENDED TO GO THROUGH ALL THE PAGES
AND SEE EACH STEP BEFORE STARTING THE ASSEMBLY

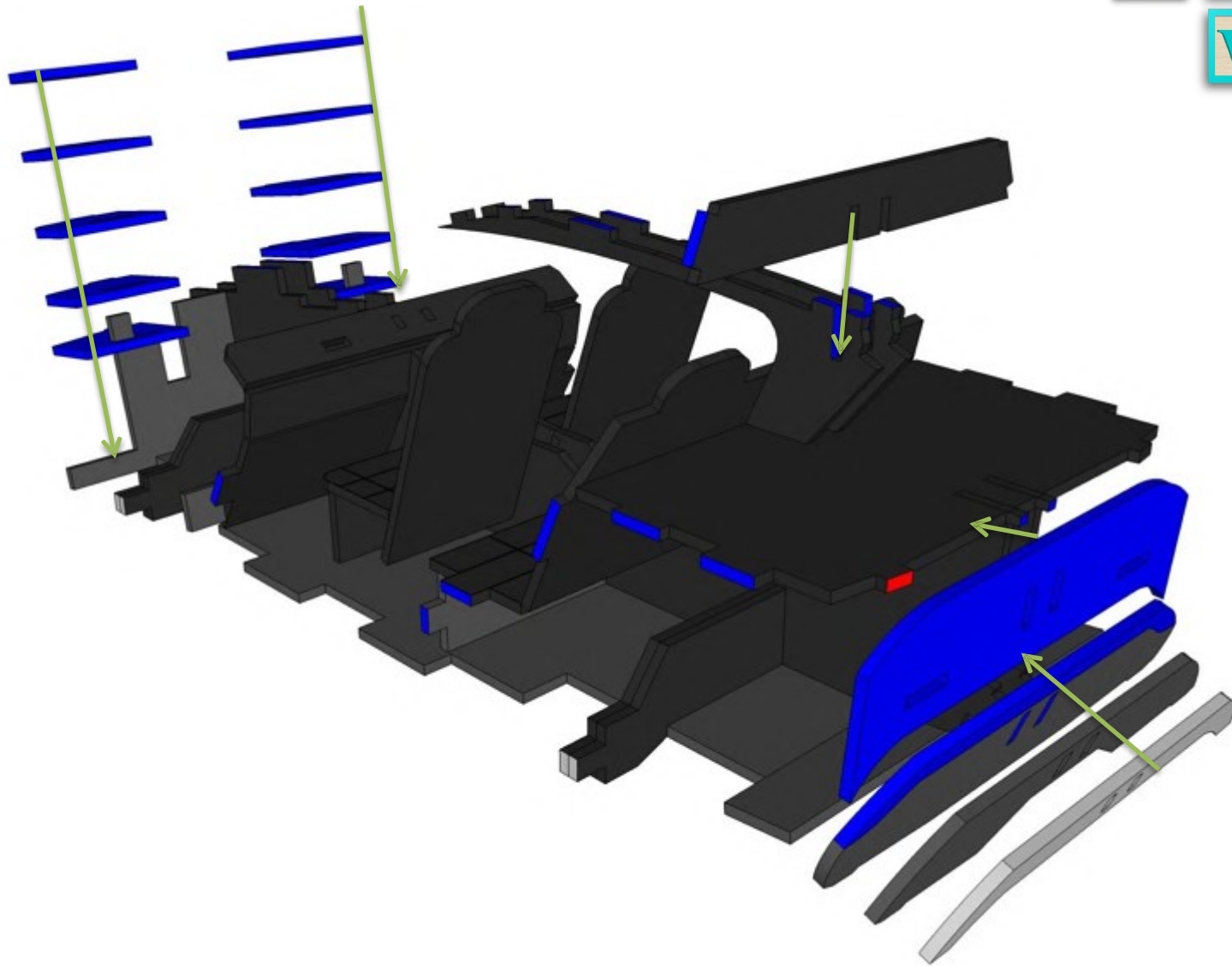


ASSEMBLY STEPS

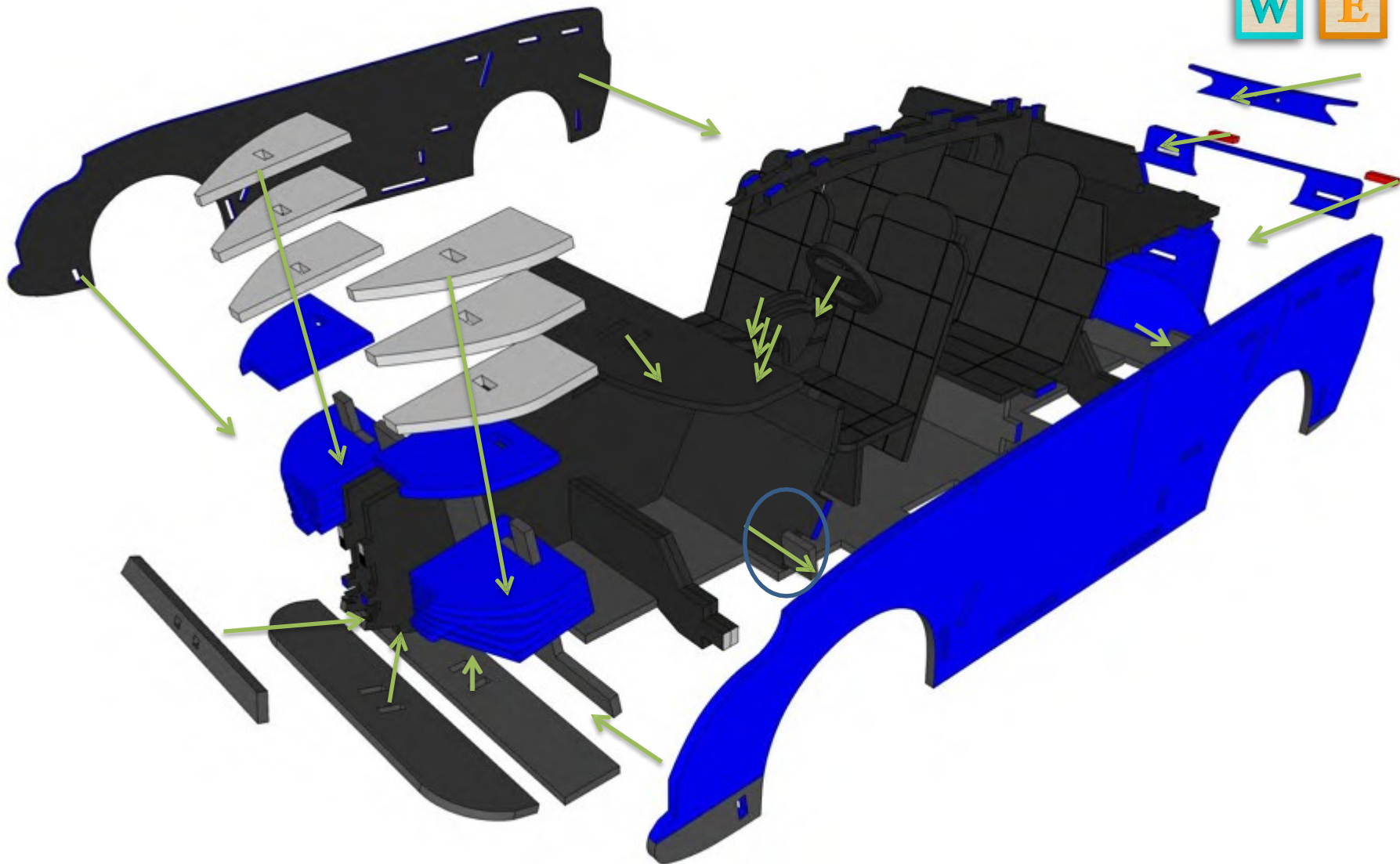
WWW.WOWWE.CO.ZA



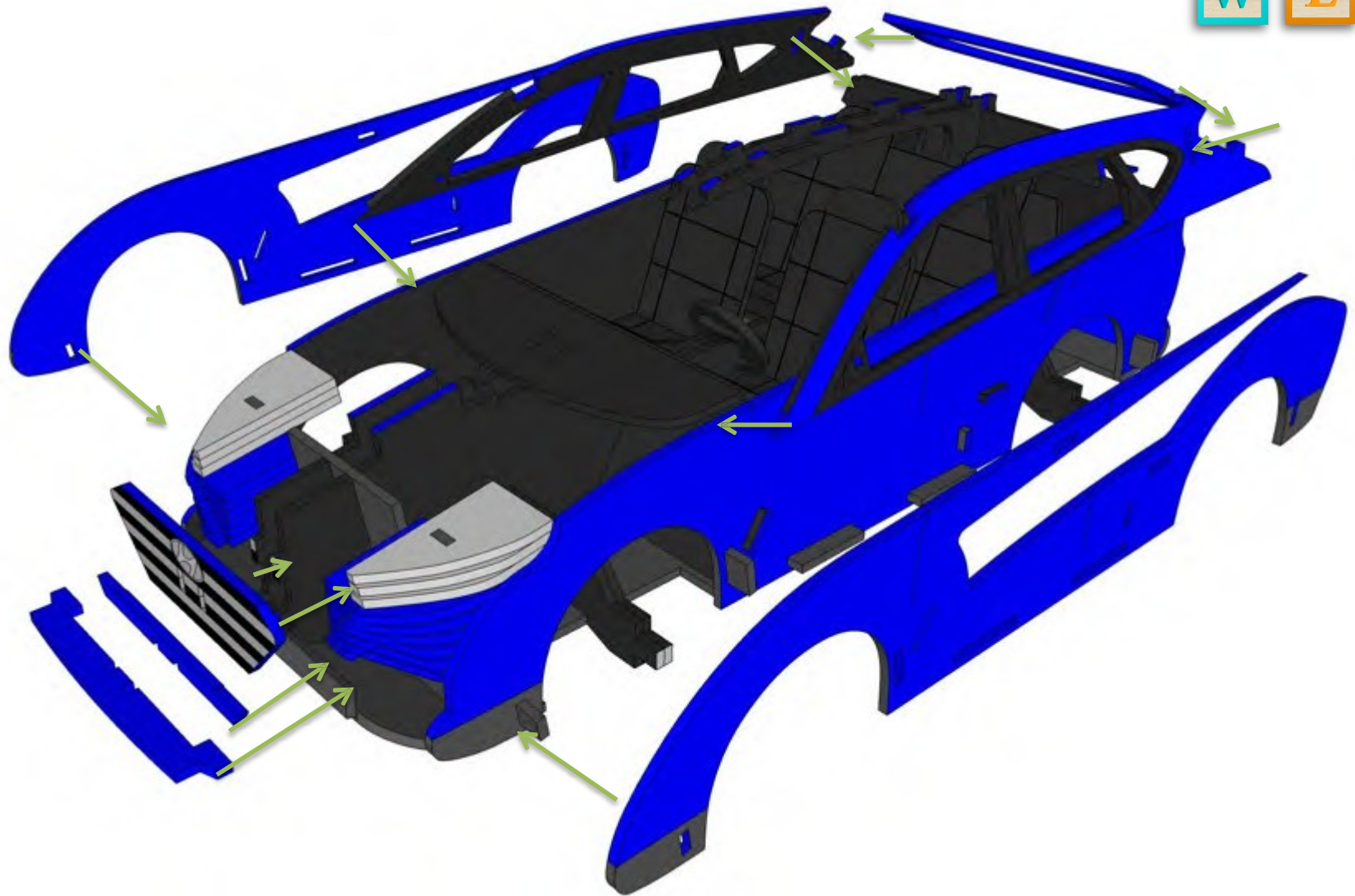
ASSEMBLY STEPS



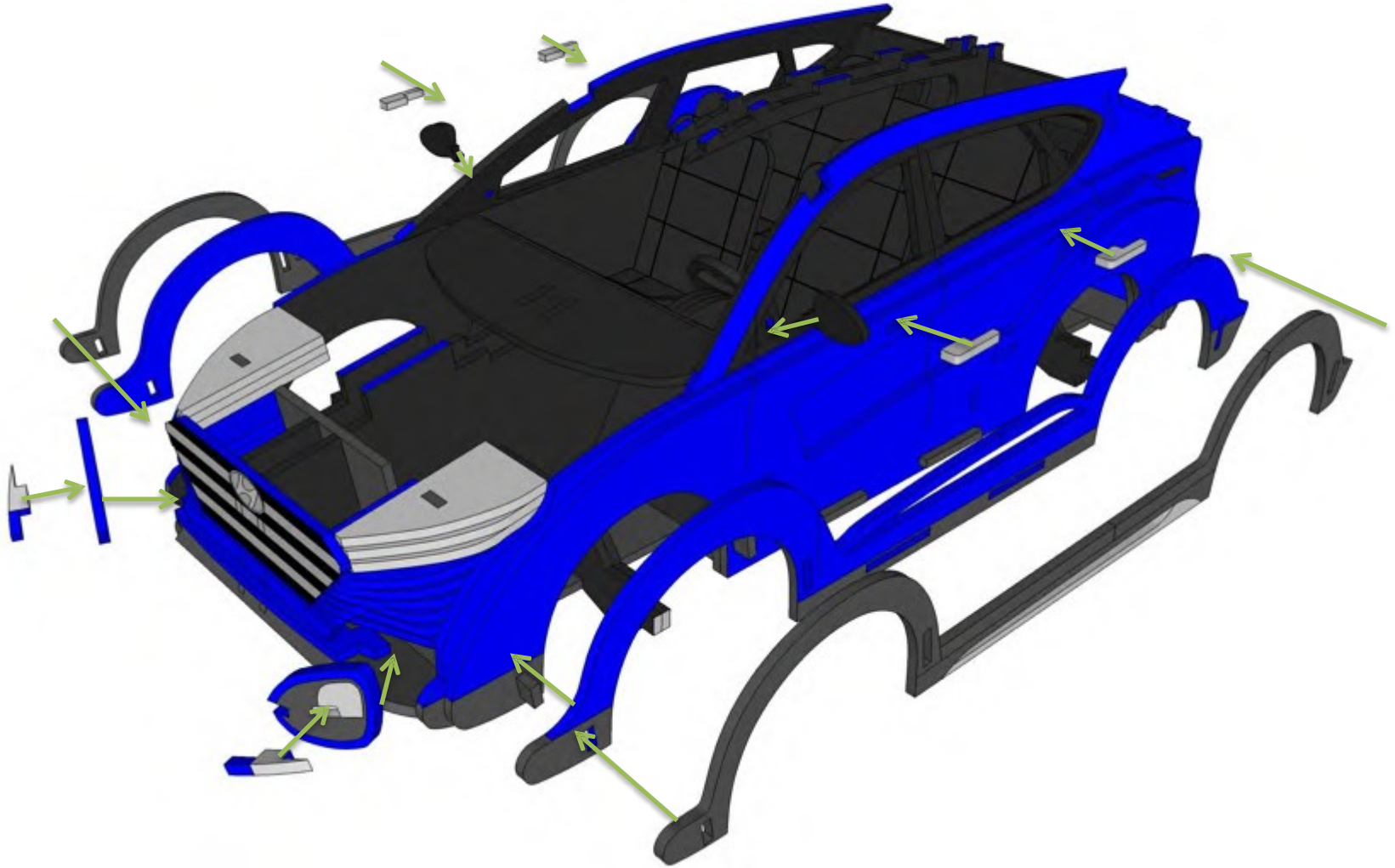
ASSEMBLY STEPS



ASSEMBLY STEPS

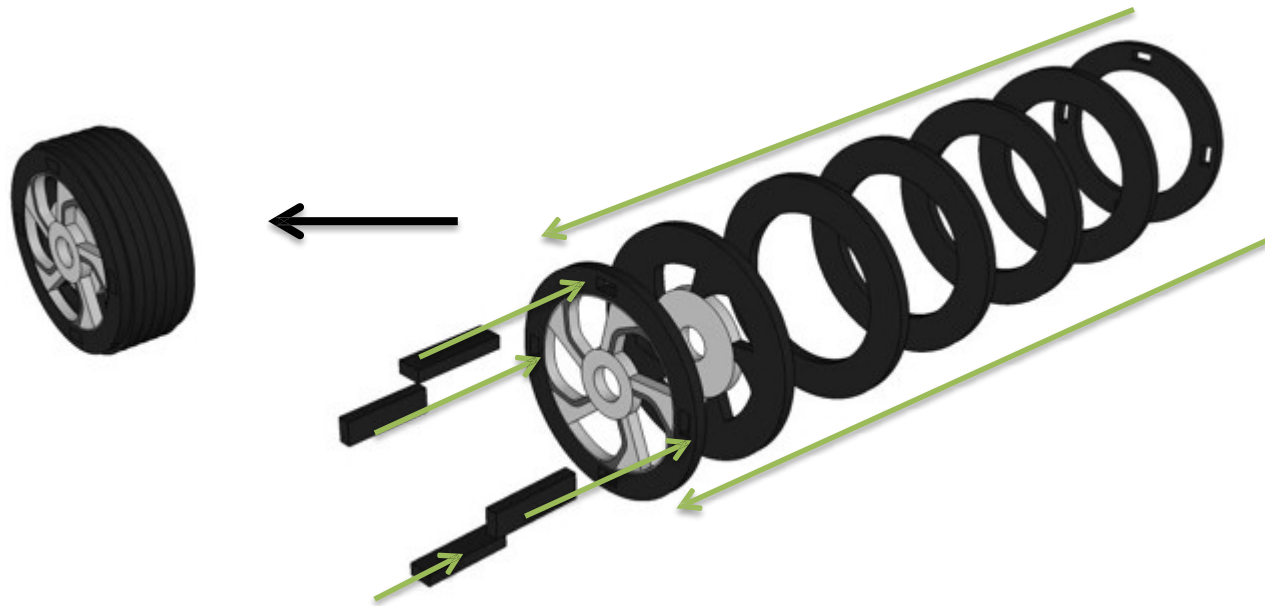


ASSEMBLY STEPS



ASSEMBLY STEPS

WWW.WOWWE.CO.ZA

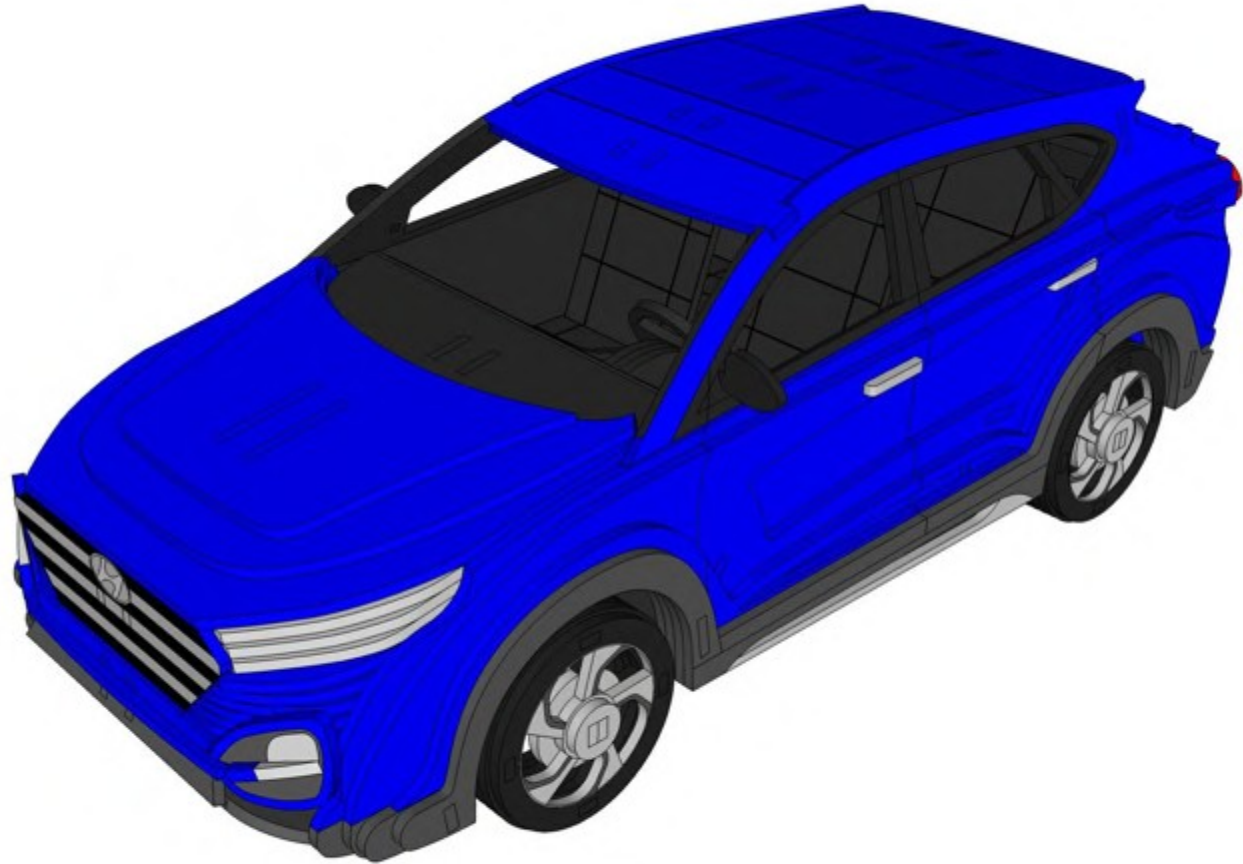


ASSEMBLY STEPS



ASSEMBLY STEPS

WWW.WOWWE.CO.ZA



COMPLETE

WWW.WOWWE.CO.ZA



COMPLETE

WWW.WOWWE.CO.ZA