

CAUTION! • CAUTION! • CAUTION! • CAUTION! • CAUTION!

WHOA!!! CAUTION NOT SO FAST

This product is made out of MDF / Supawood and is fragile of nature.

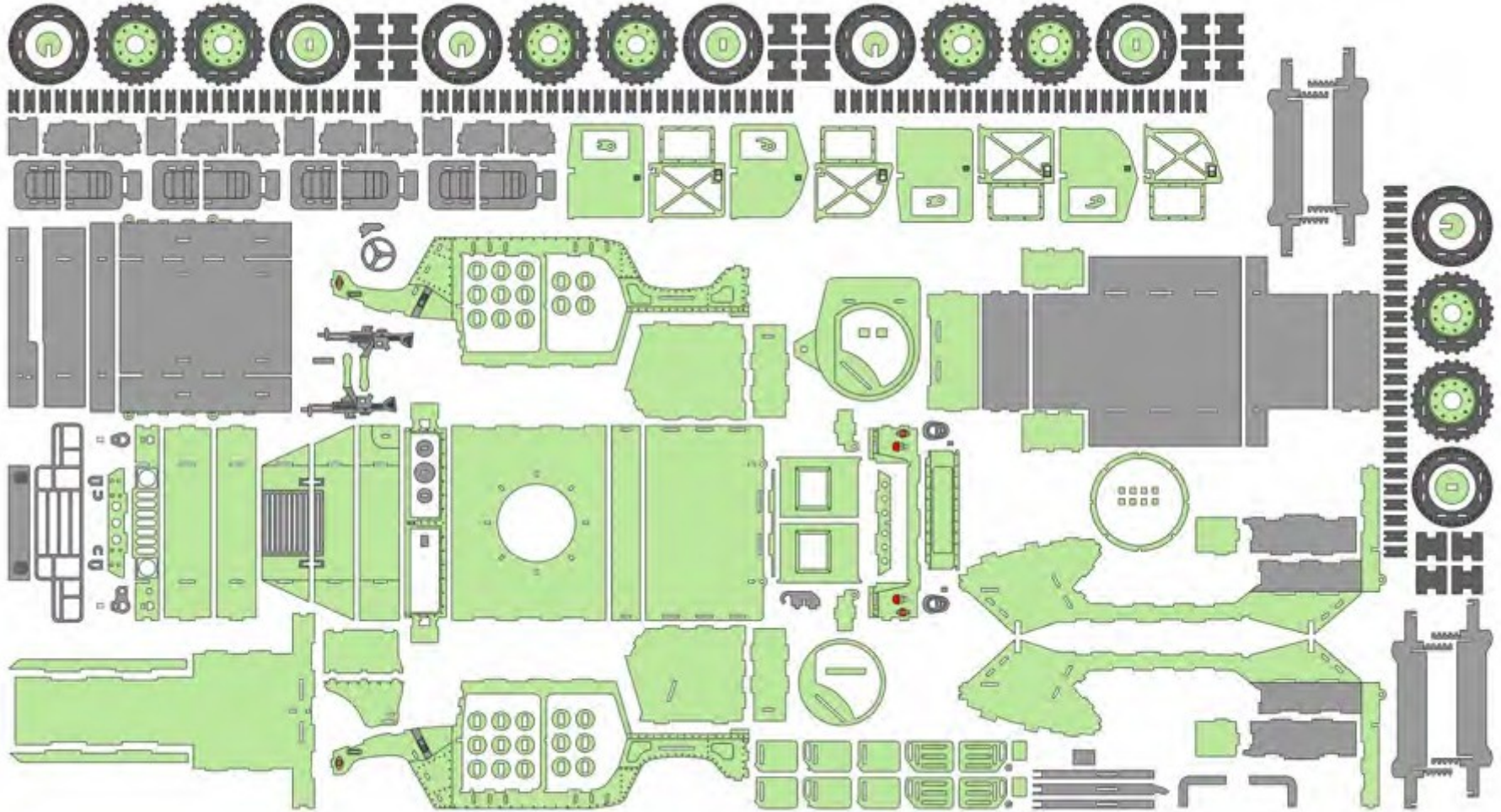
We recommend all pieces to be test fitted and if required contact pieces to be filled / sanded down for a better fit.

**PLEASE DO NOT FORCE FIT ANY PIECES AS IT
WILL BREAK!**

ENJOY BUILDING YOUR NEW MODEL.

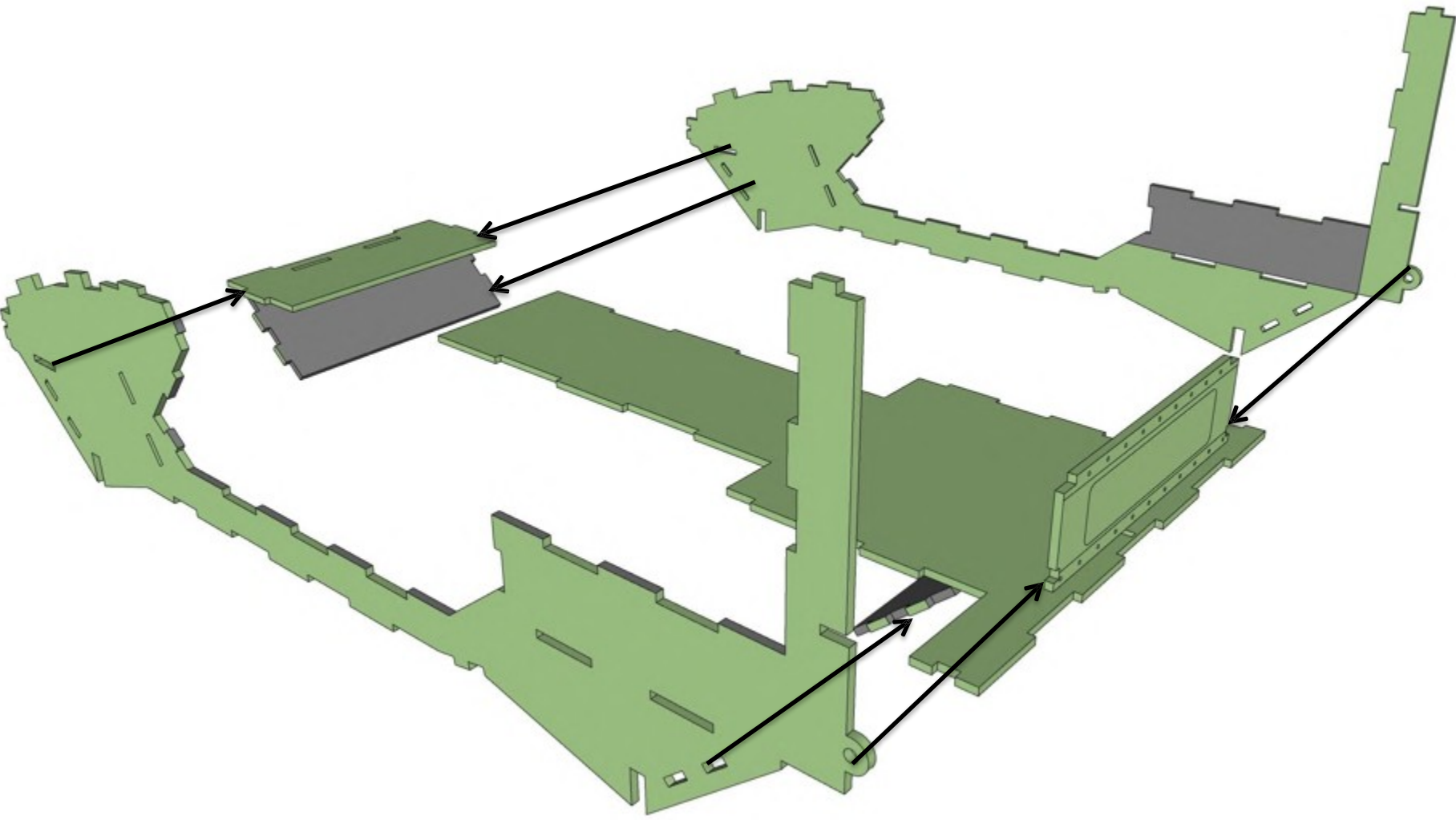


HUMMER M998



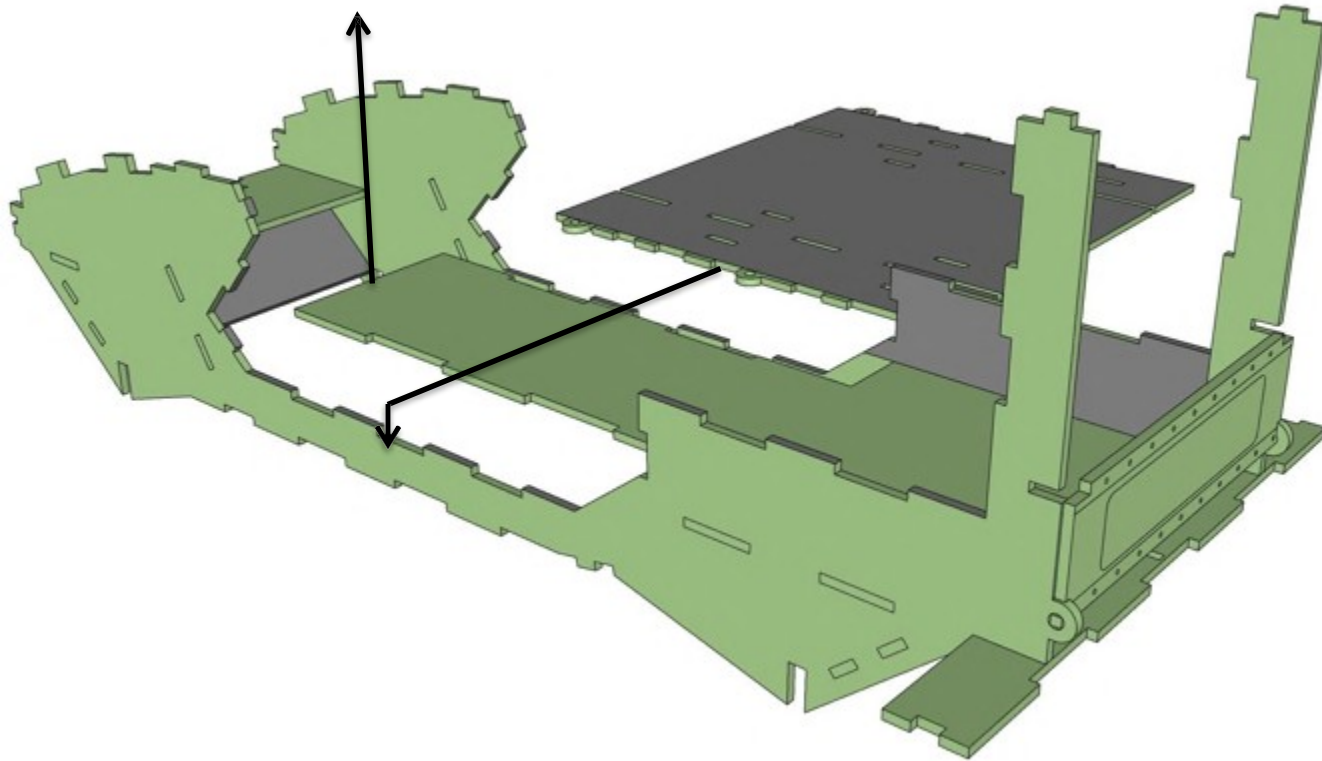
PARTS LIST

IT IS RECOMMENDED TO GO THROUGH ALL THE PAGES
AND SEE EACH STEP BEFORE STARTING THE ASSEMBLY

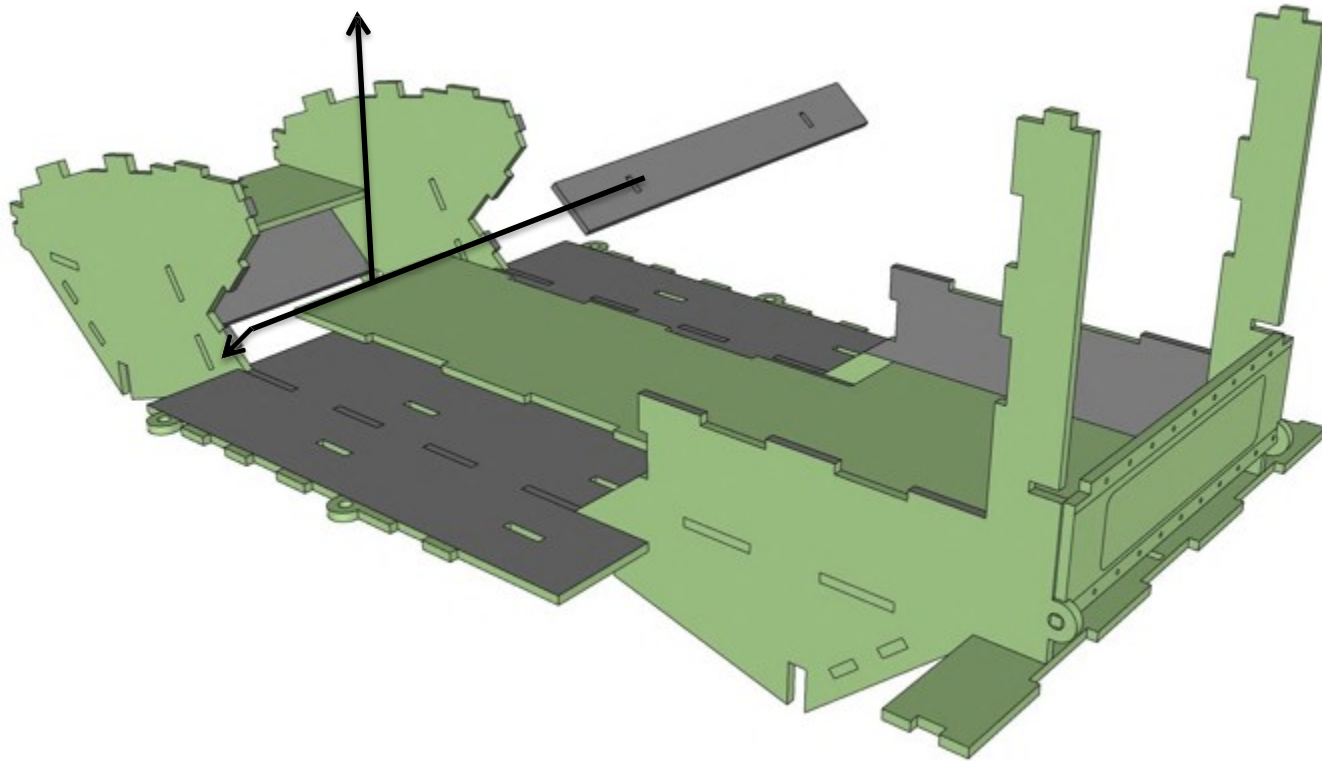


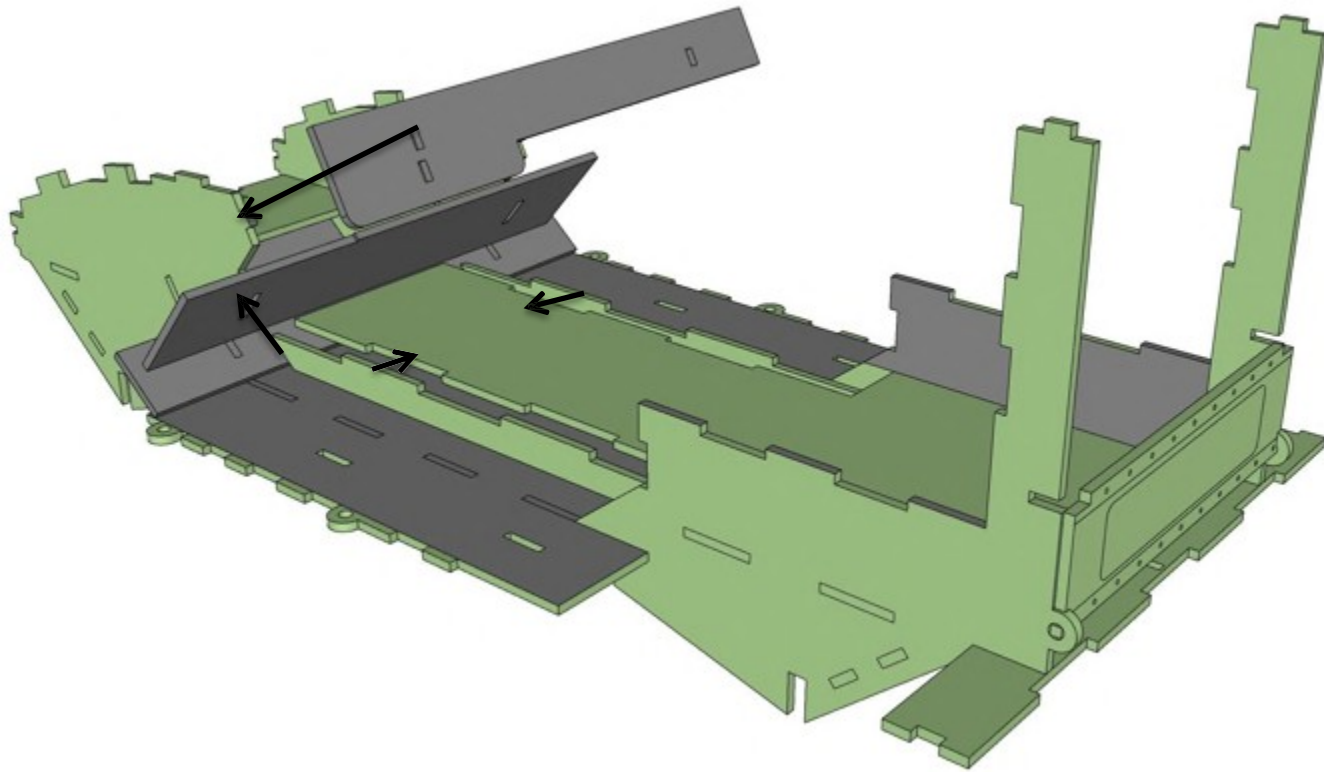
ASSEMBLY STEPS

SLIGHTLY PULL FROM THIS END
TO ALLOW GRAY PART TO SLIDE IN

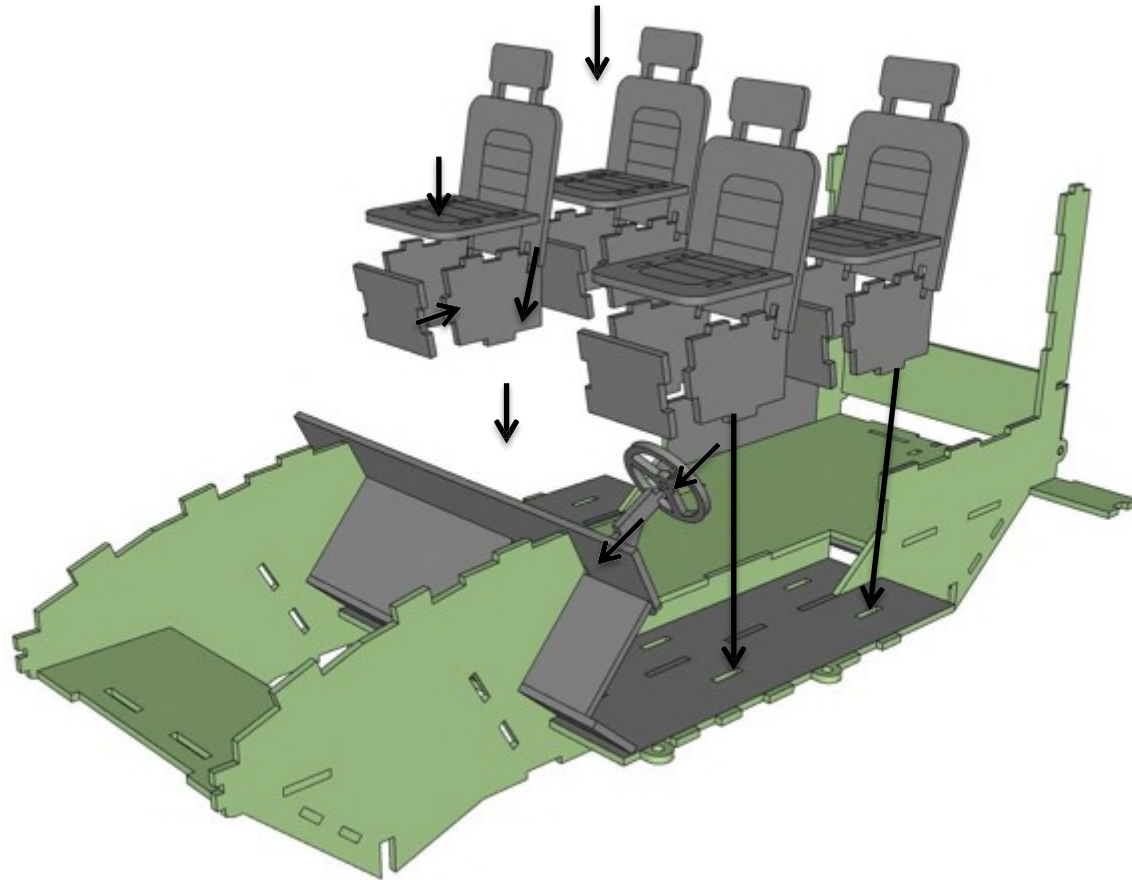


SLIGHTLY PULL FROM THIS END
TO ALLOW GRAY PART TO SLIDE IN

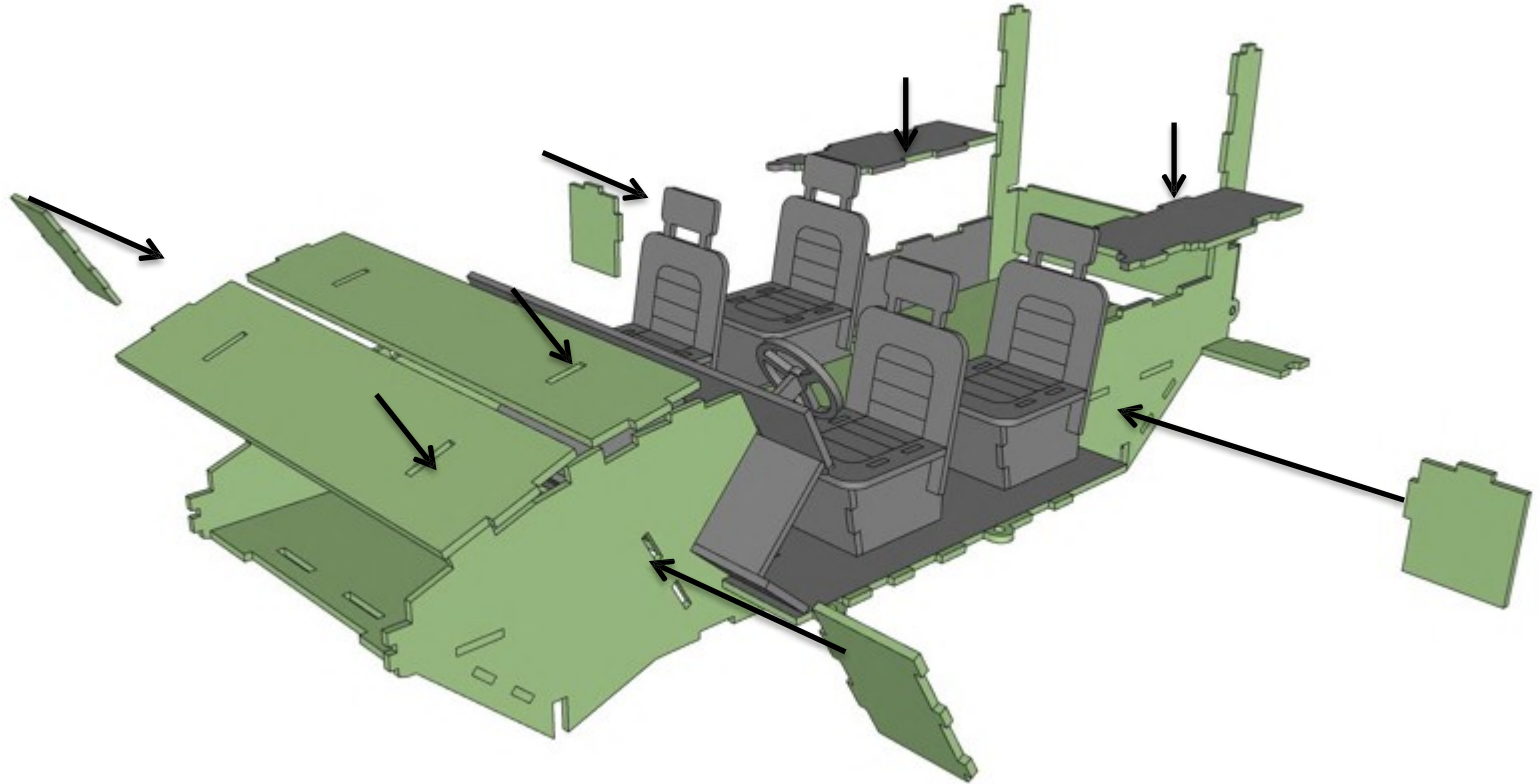




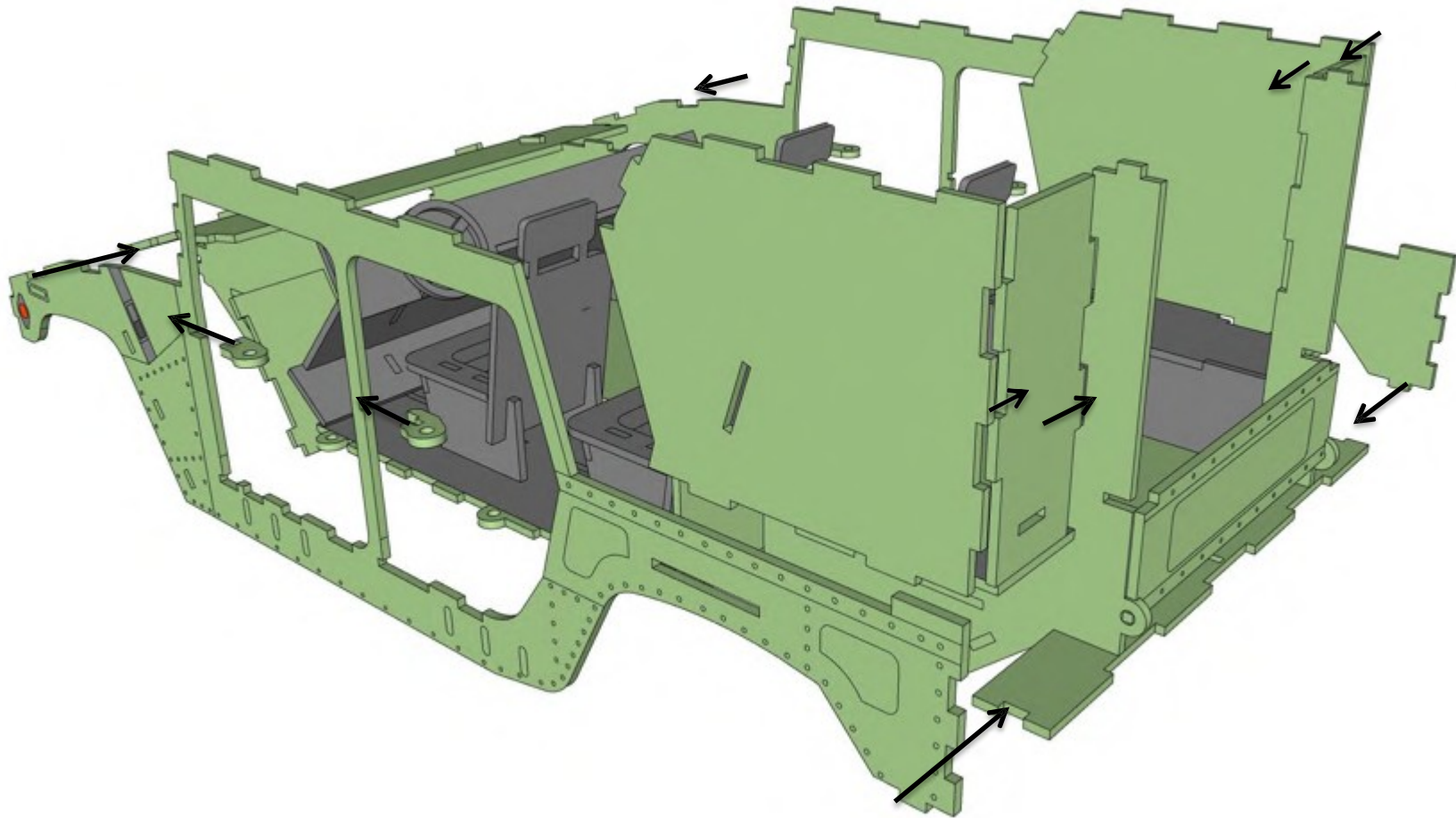
ASSEMBLY STEPS



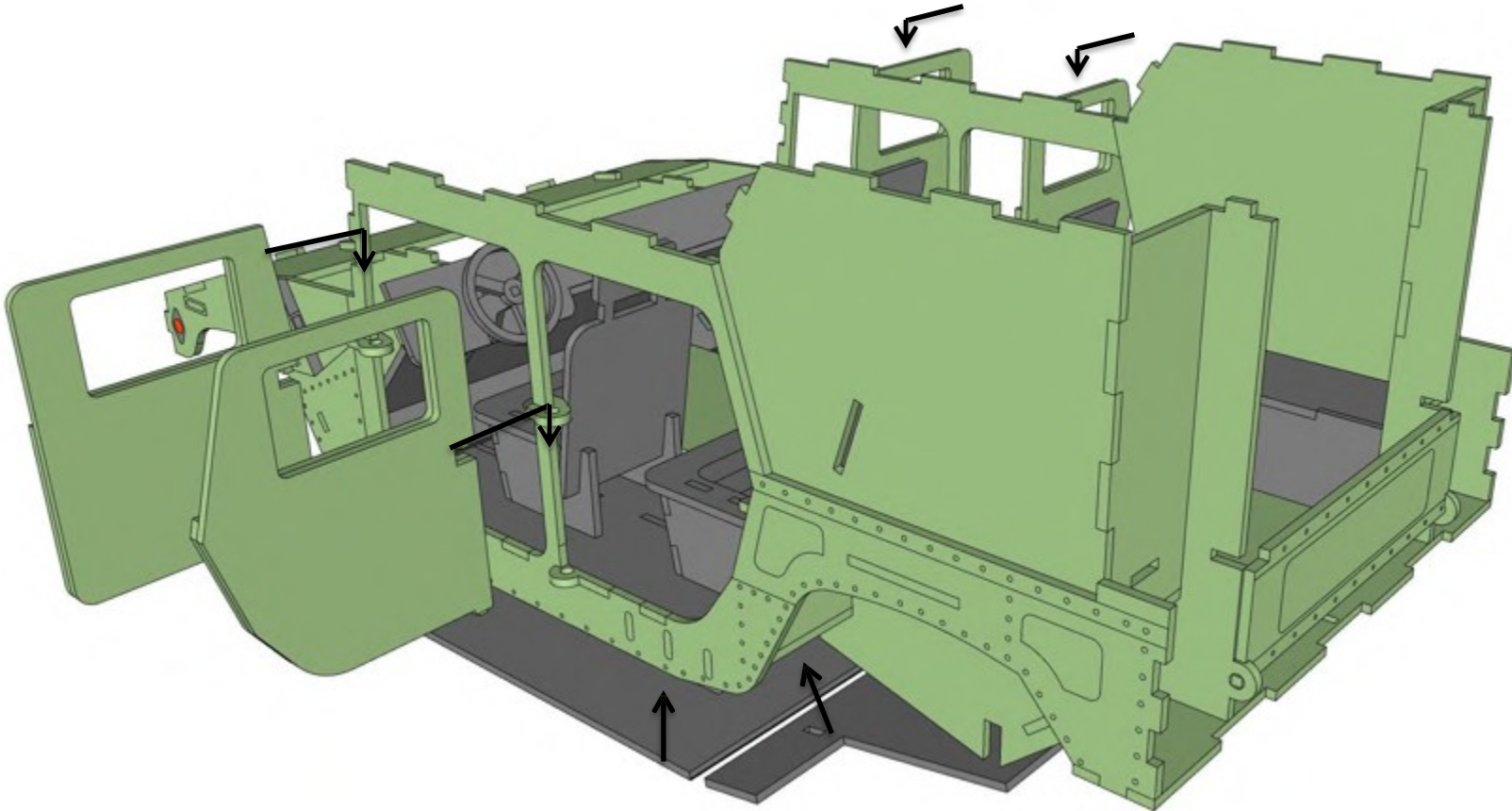
ASSEMBLY STEPS



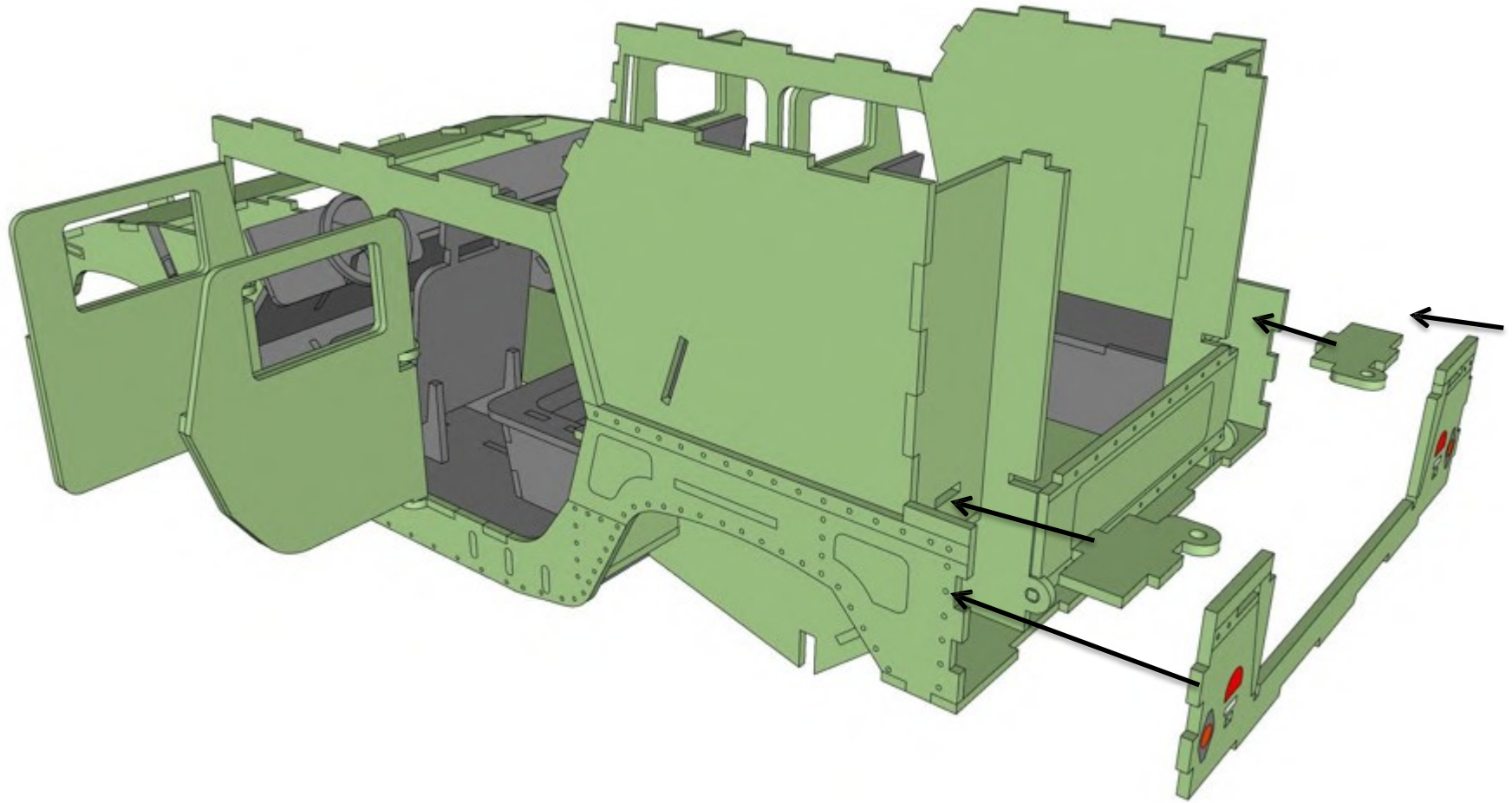
ASSEMBLY STEPS



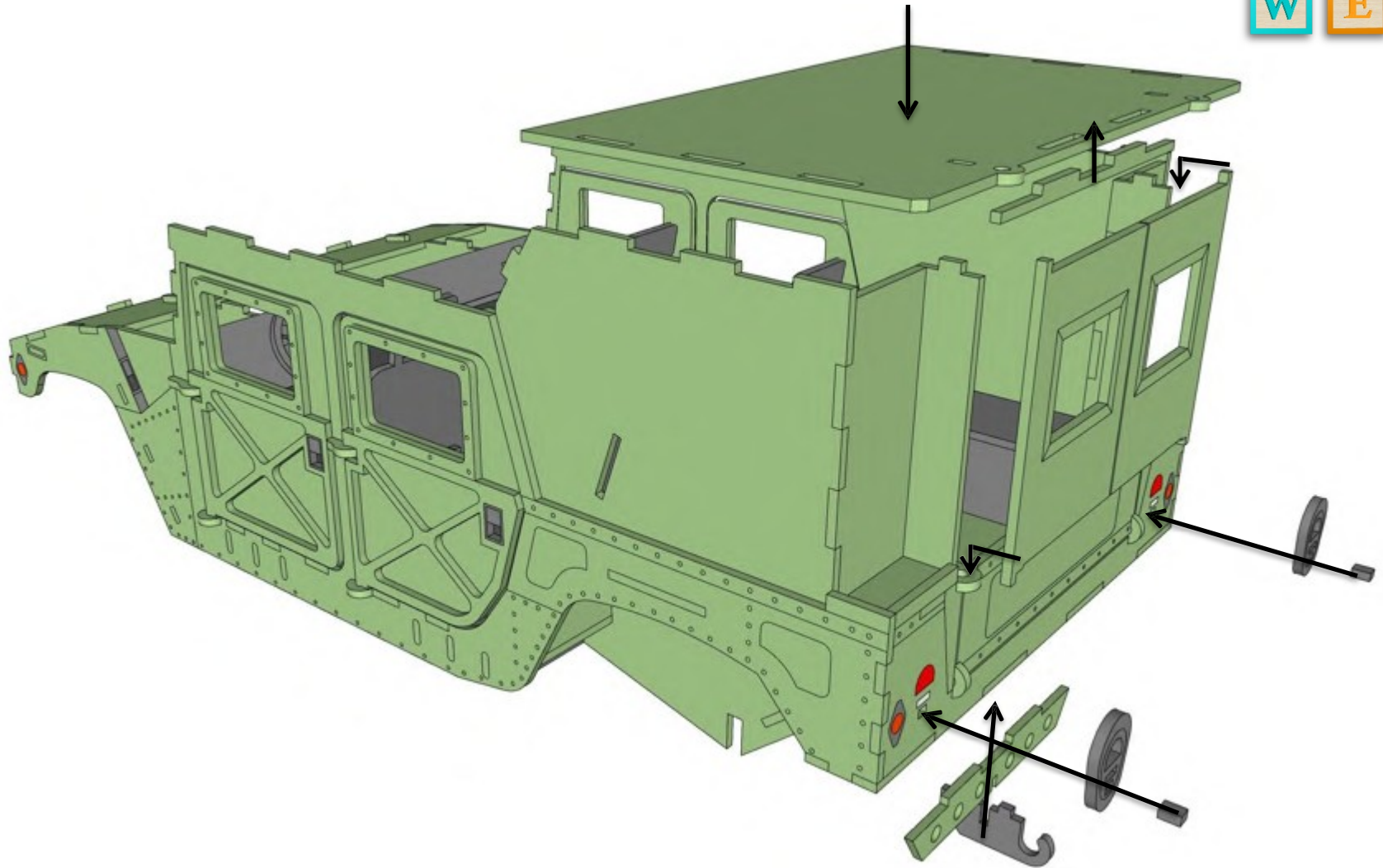
ASSEMBLY STEPS



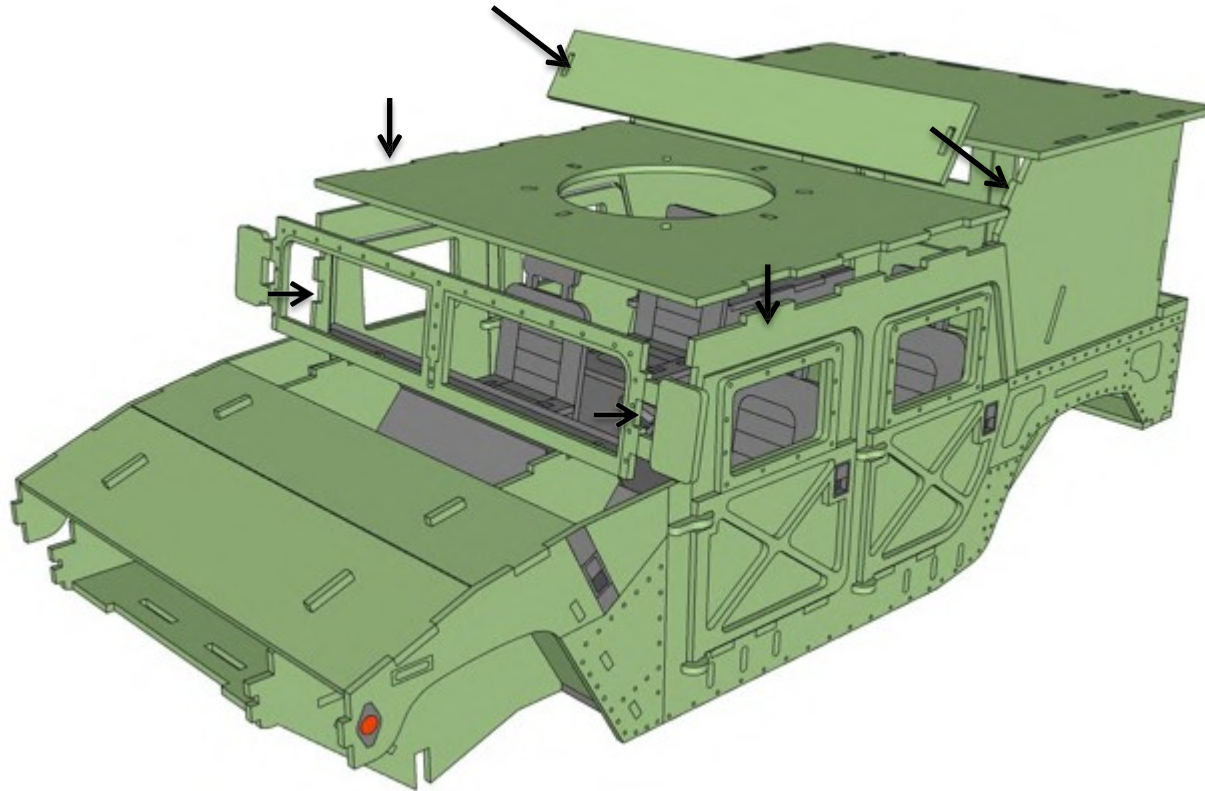
ASSEMBLY STEPS



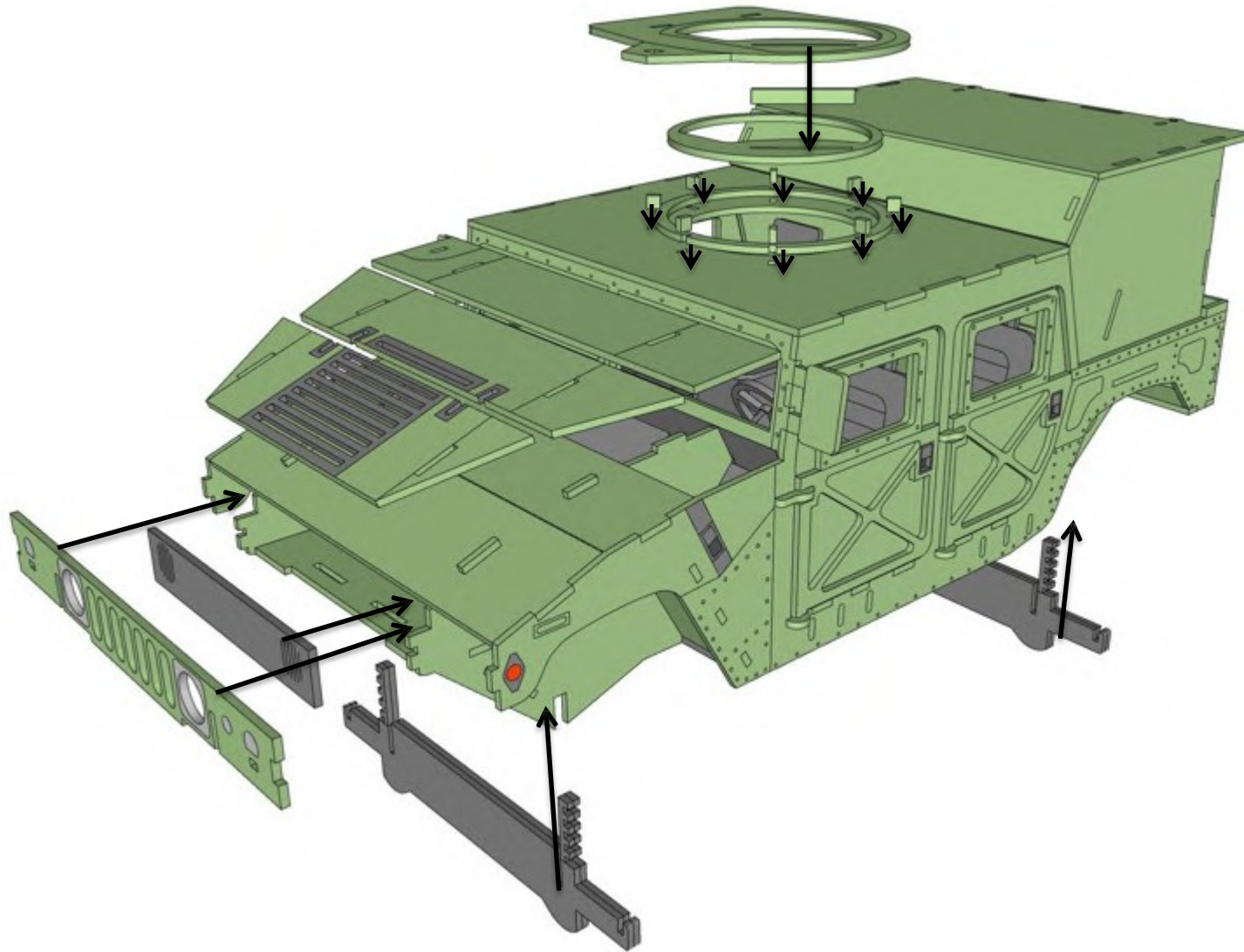
ASSEMBLY STEPS



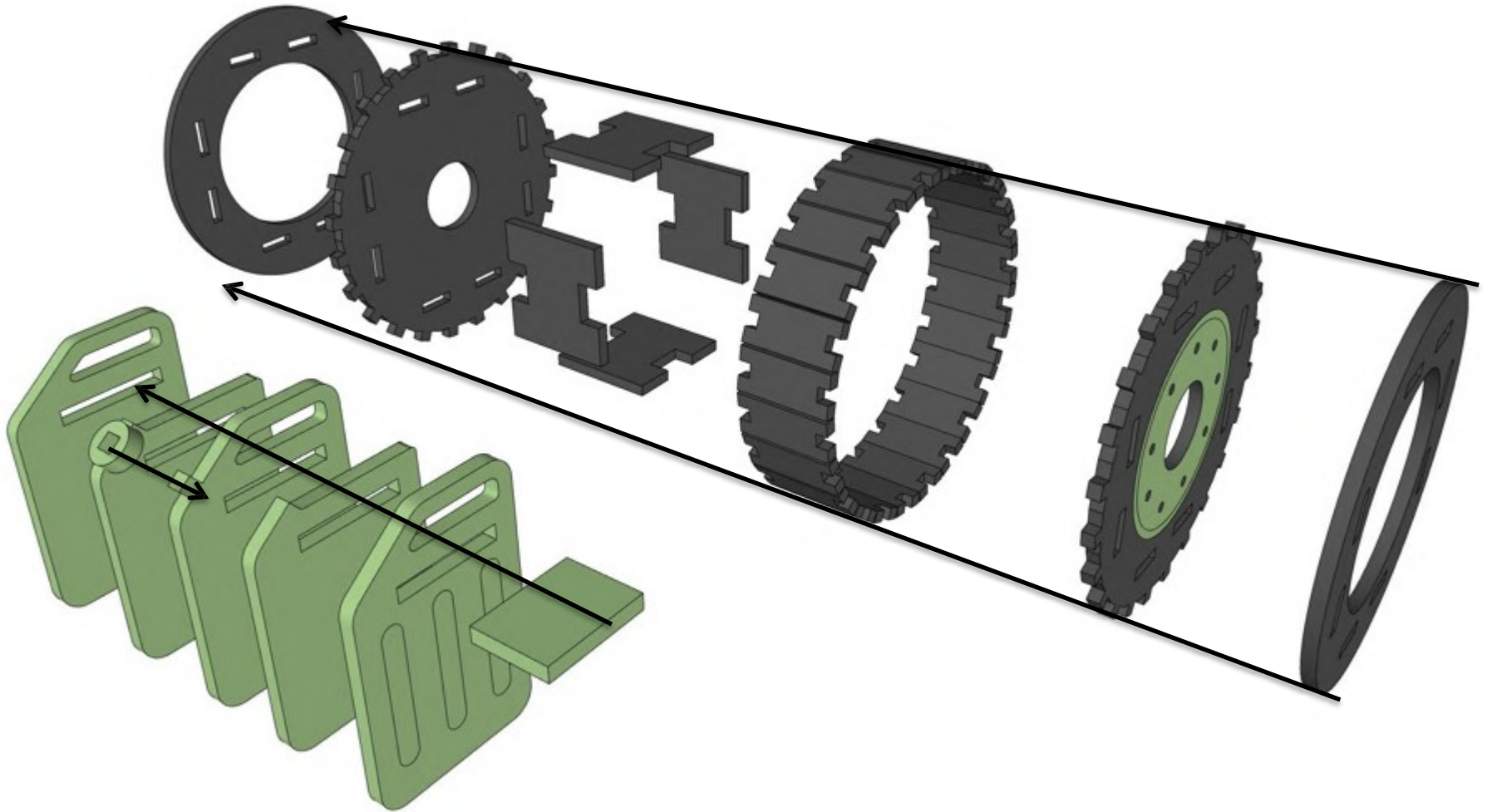
ASSEMBLY STEPS



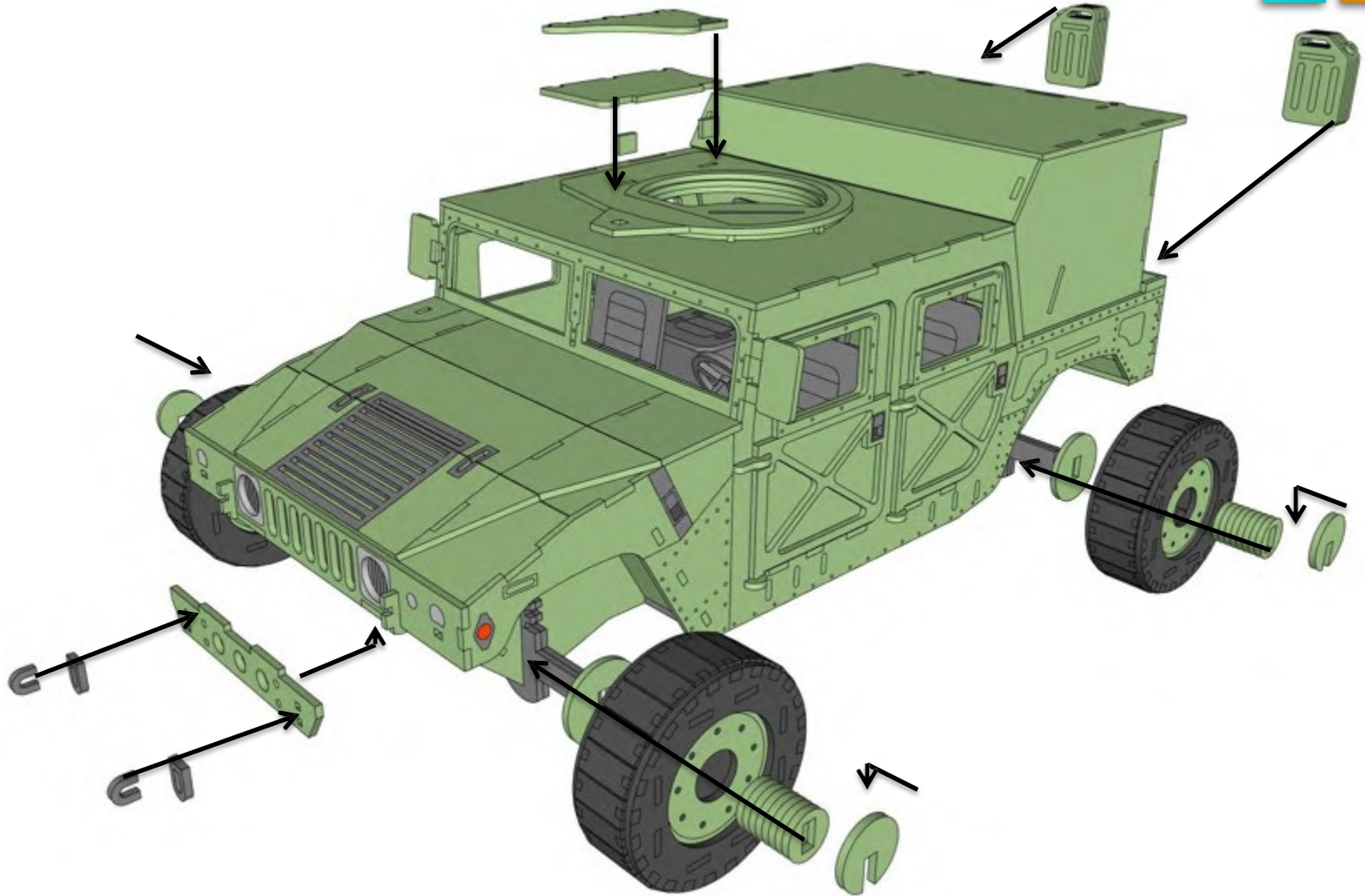
ASSEMBLY STEPS



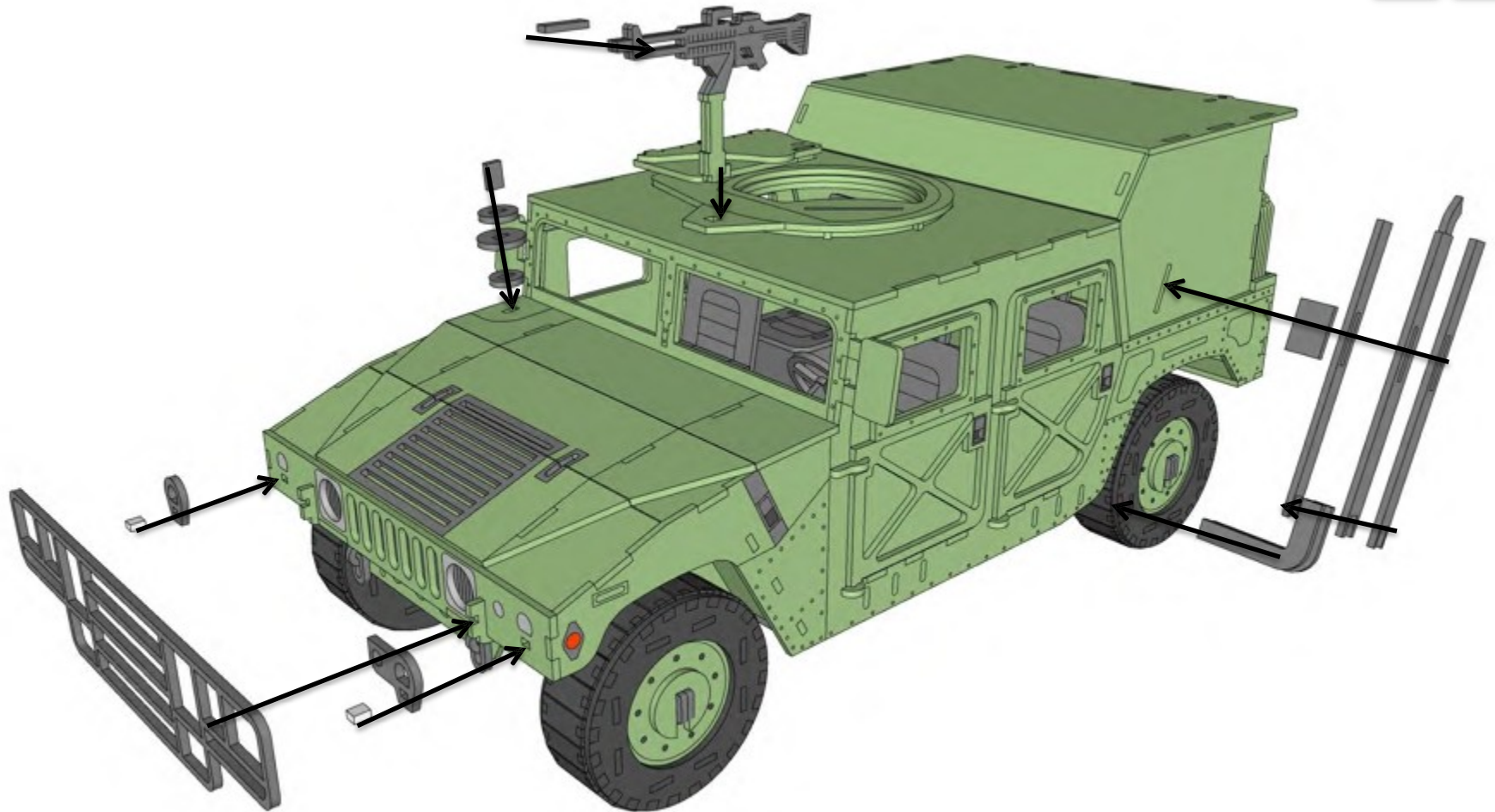
ASSEMBLY STEPS



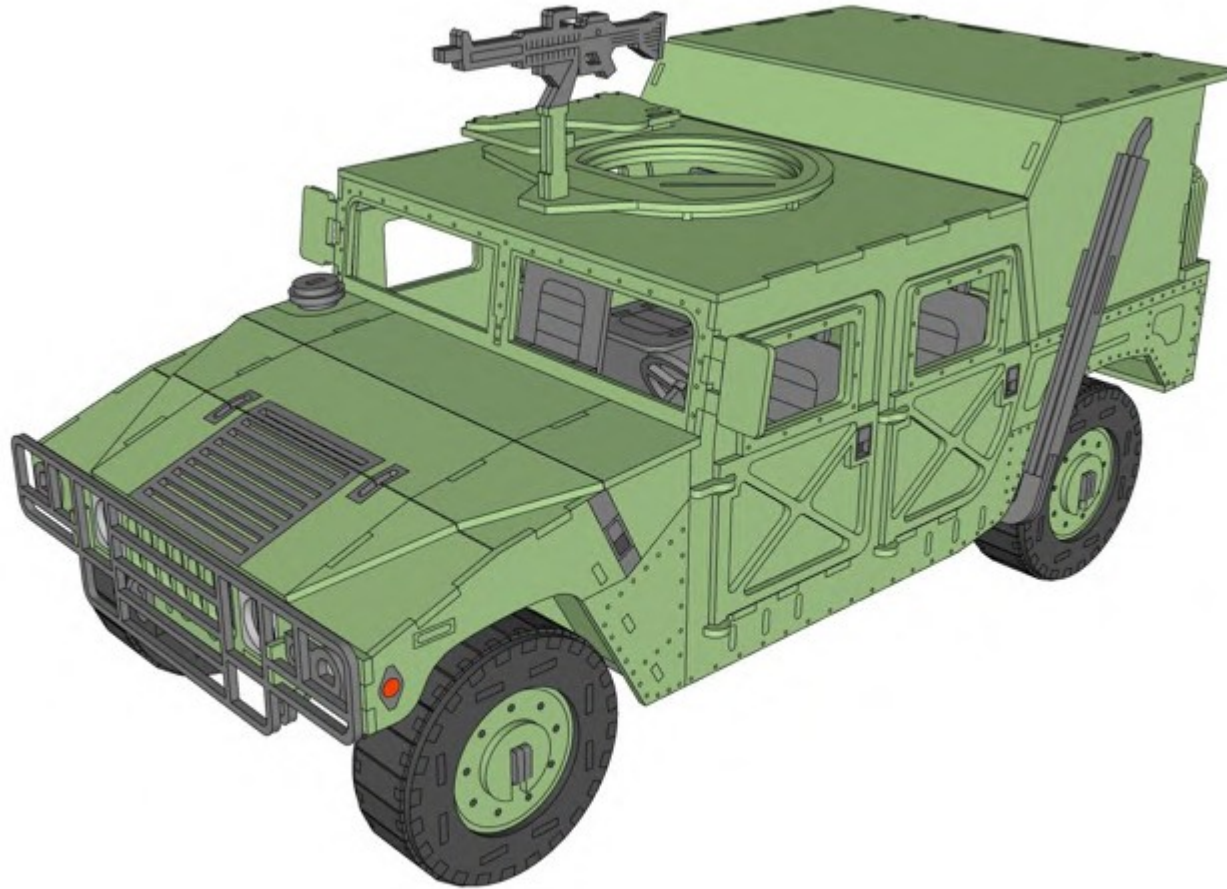
ASSEMBLY STEPS



ASSEMBLY STEPS



ASSEMBLY STEPS



COMPLETE



COMPLETE