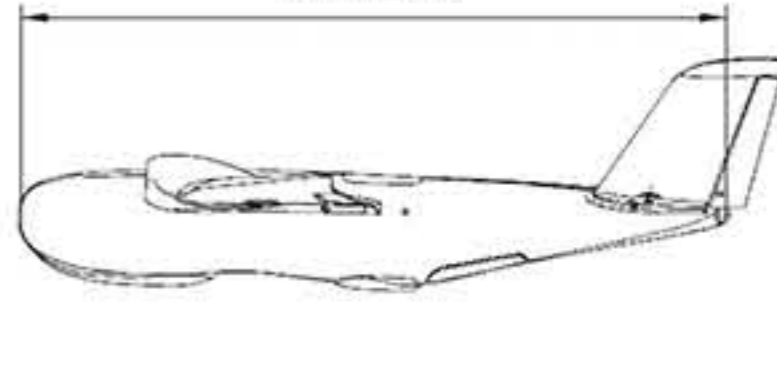
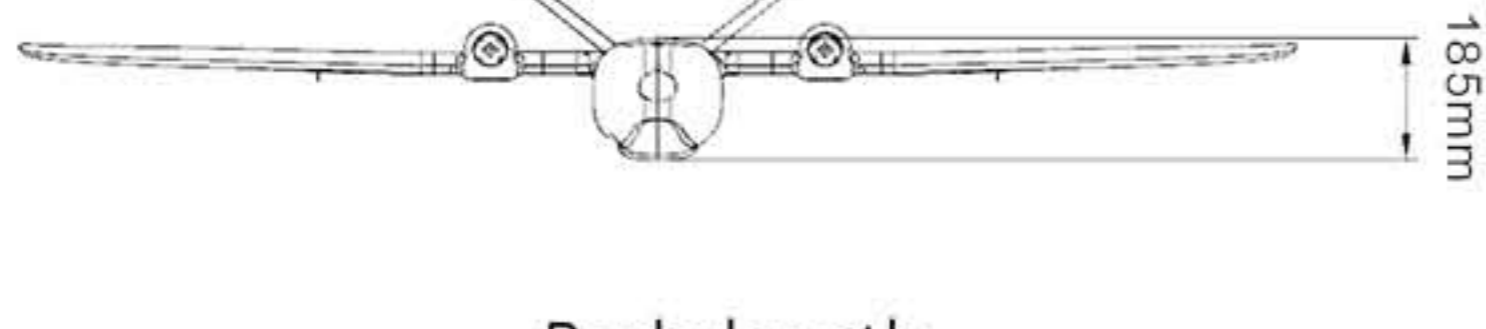
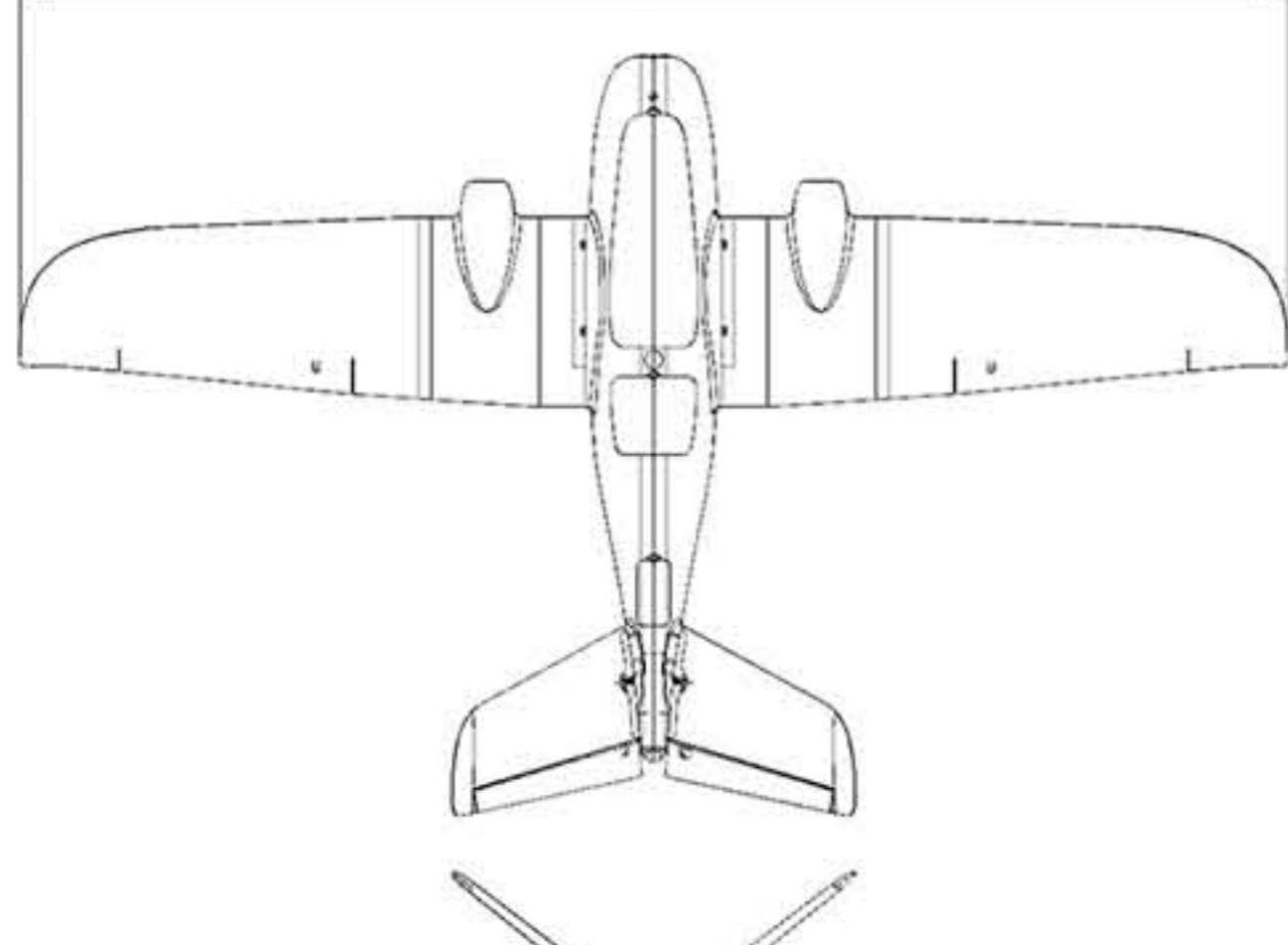
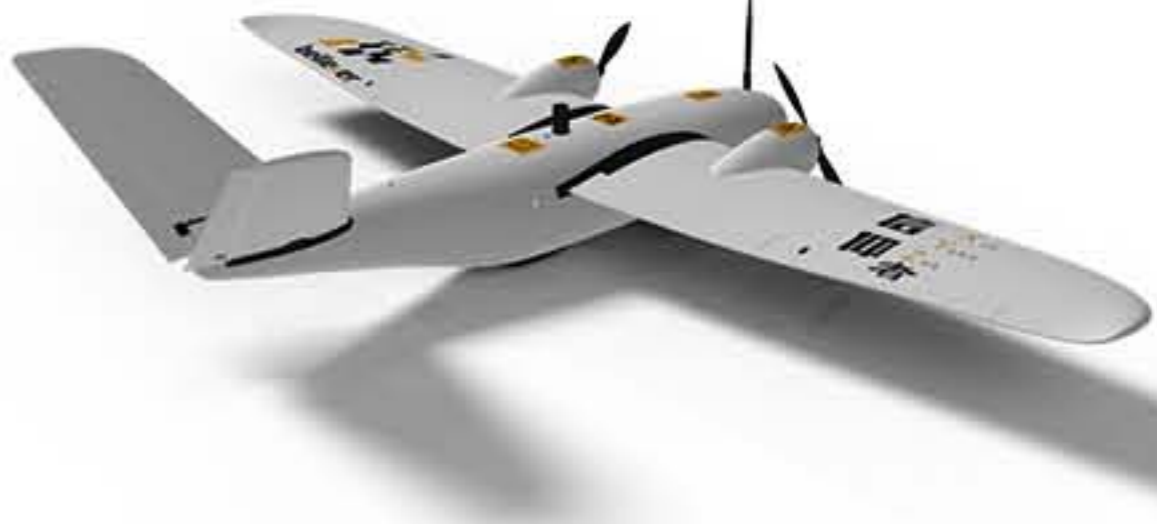
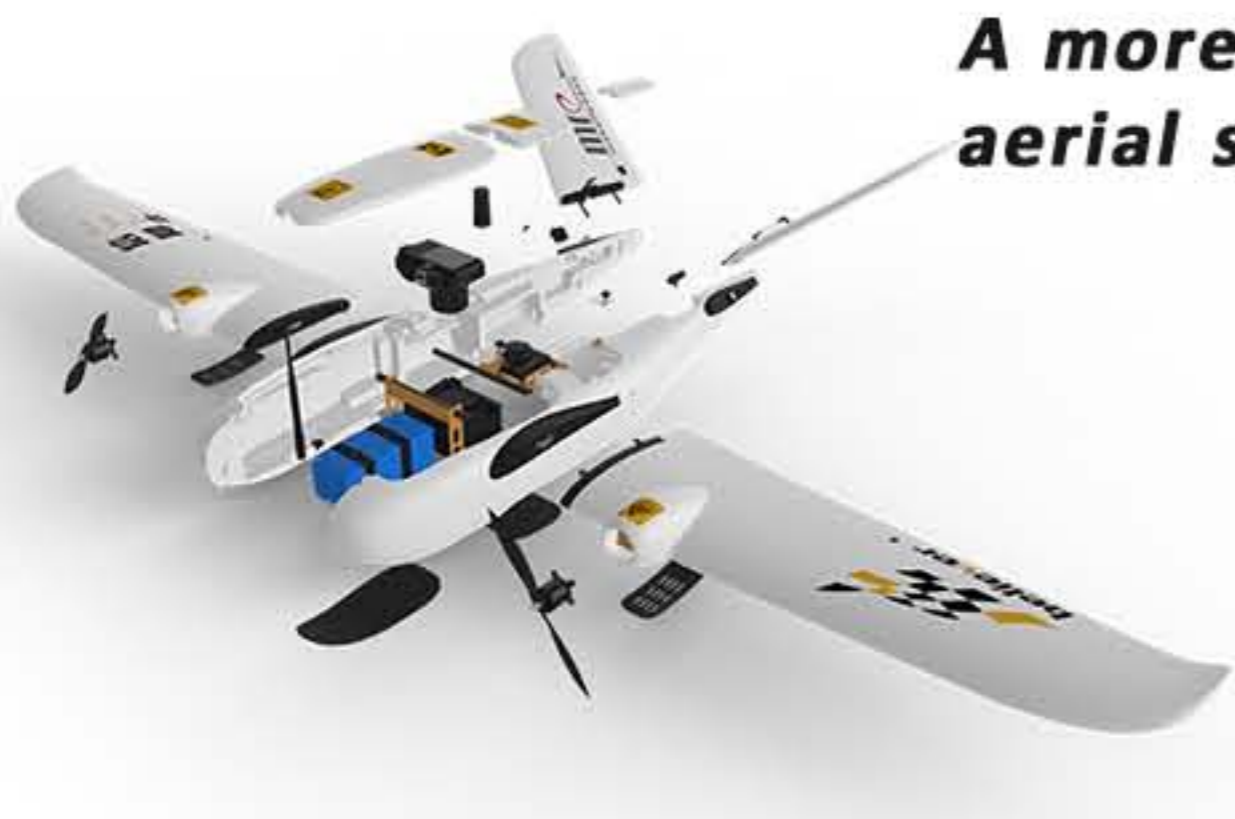
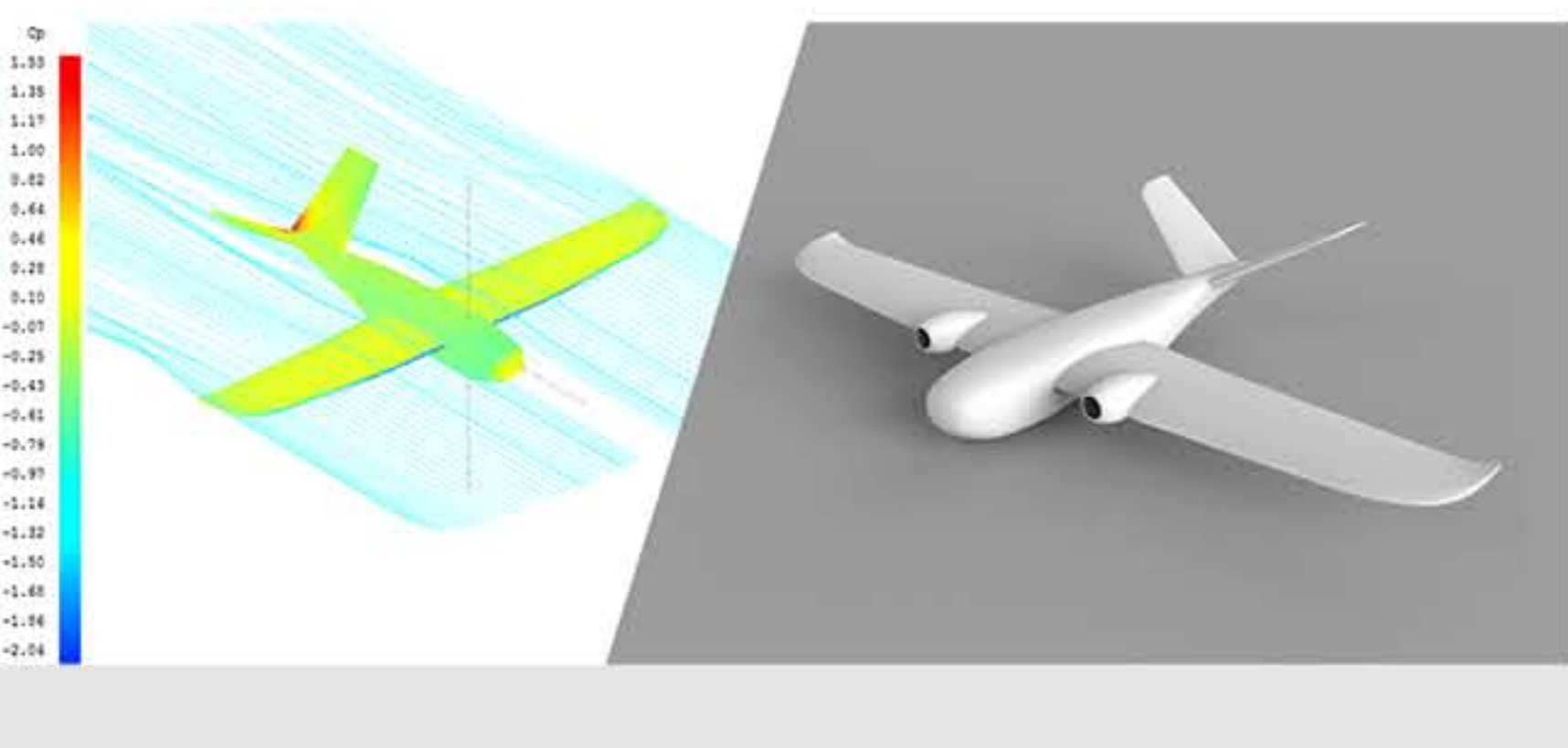


Believer

A more convenient professional grade aerial survey aircraft



Body length	1070 mm
Span	1960 mm
Body height	185 mm
Wing area	51 dm ²
Recommended flight speed	20 m/s
Maximum take off weight	5.5 Kg



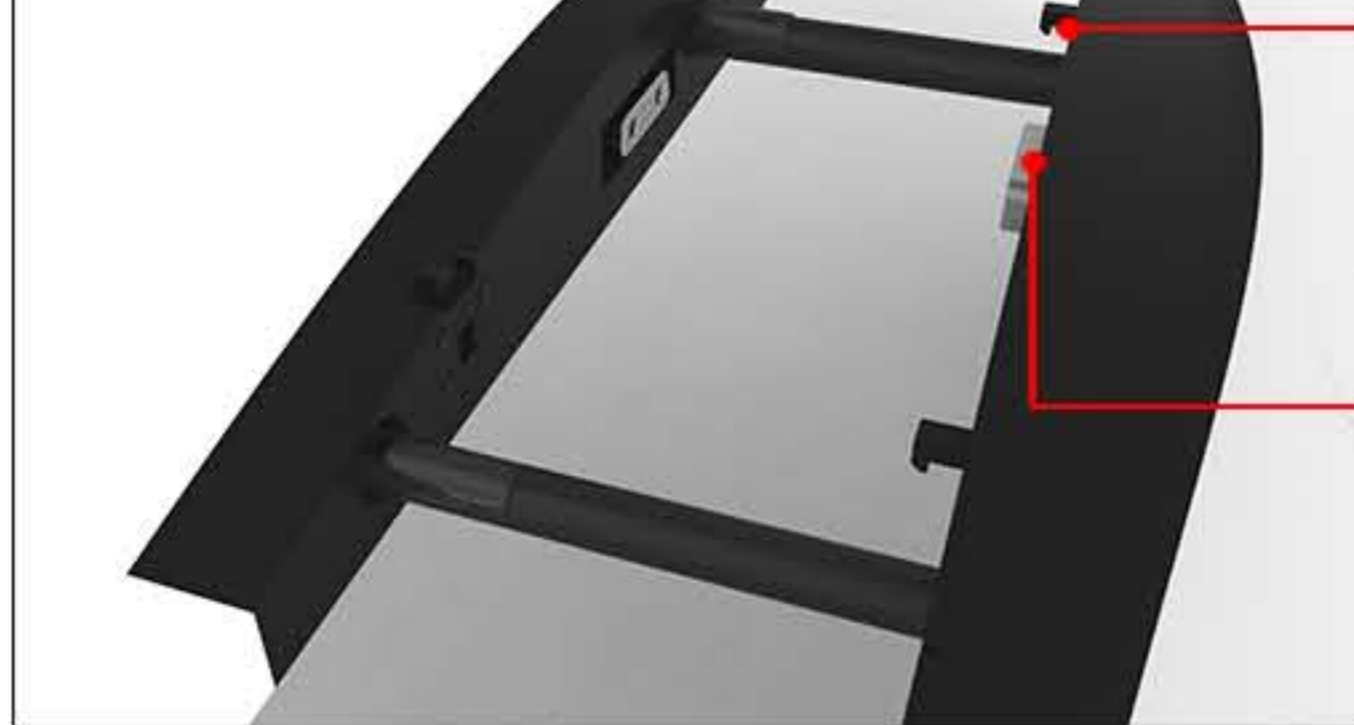
High-quality Aerodynamic Design

Quick • Convenient

No tool disassembly and assembly, just insert the wings and tail

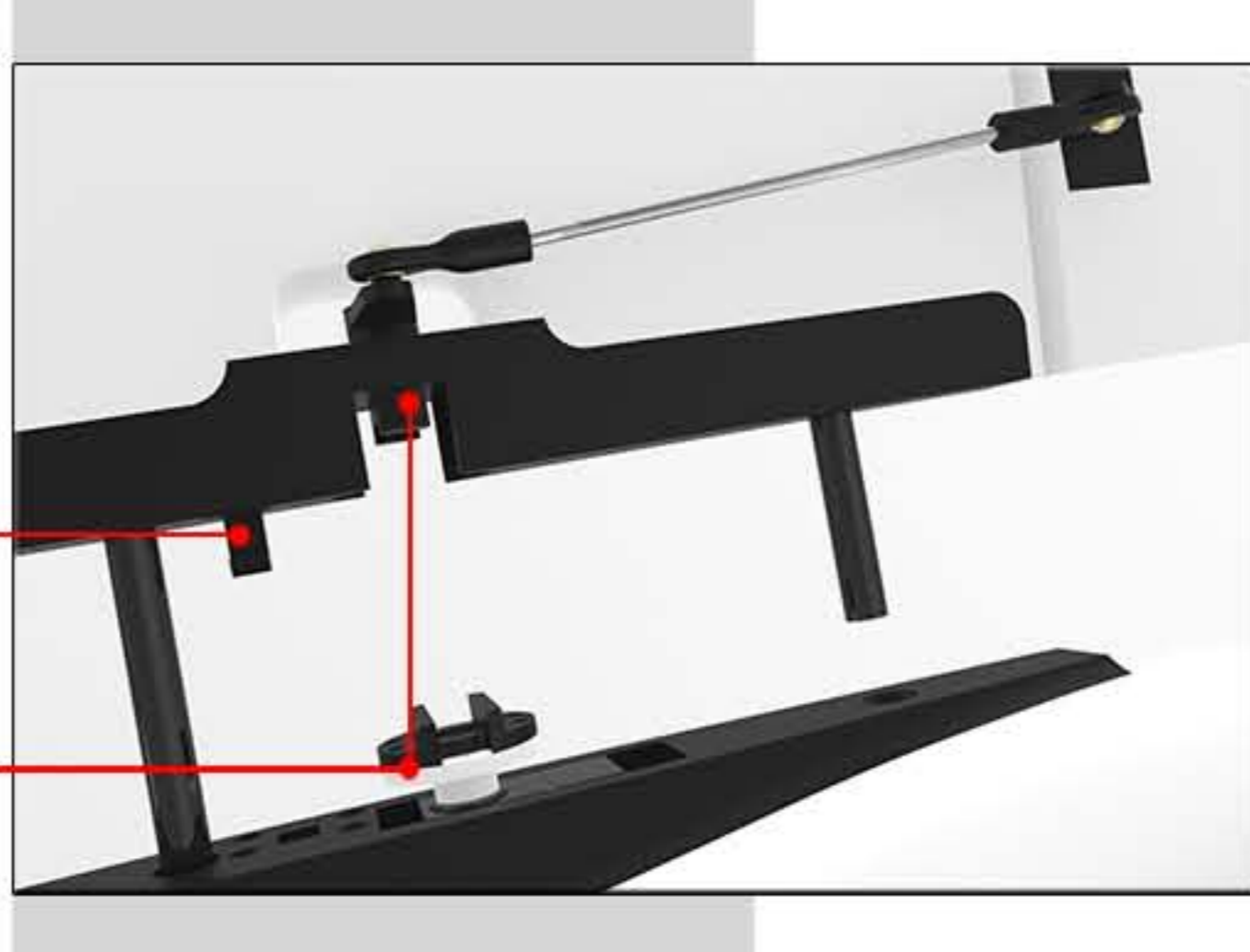
No additional plug-in. Synchronous separation of structure and electrical

It takes up little space after disassembly and can be easily carried



Quick Lock

High-power Electrical Plug



Quick Lock

Rudder Mechanical Transmission

Larger and more reasonable body capacity



Main Photograph Gimbal



Tilt Photography



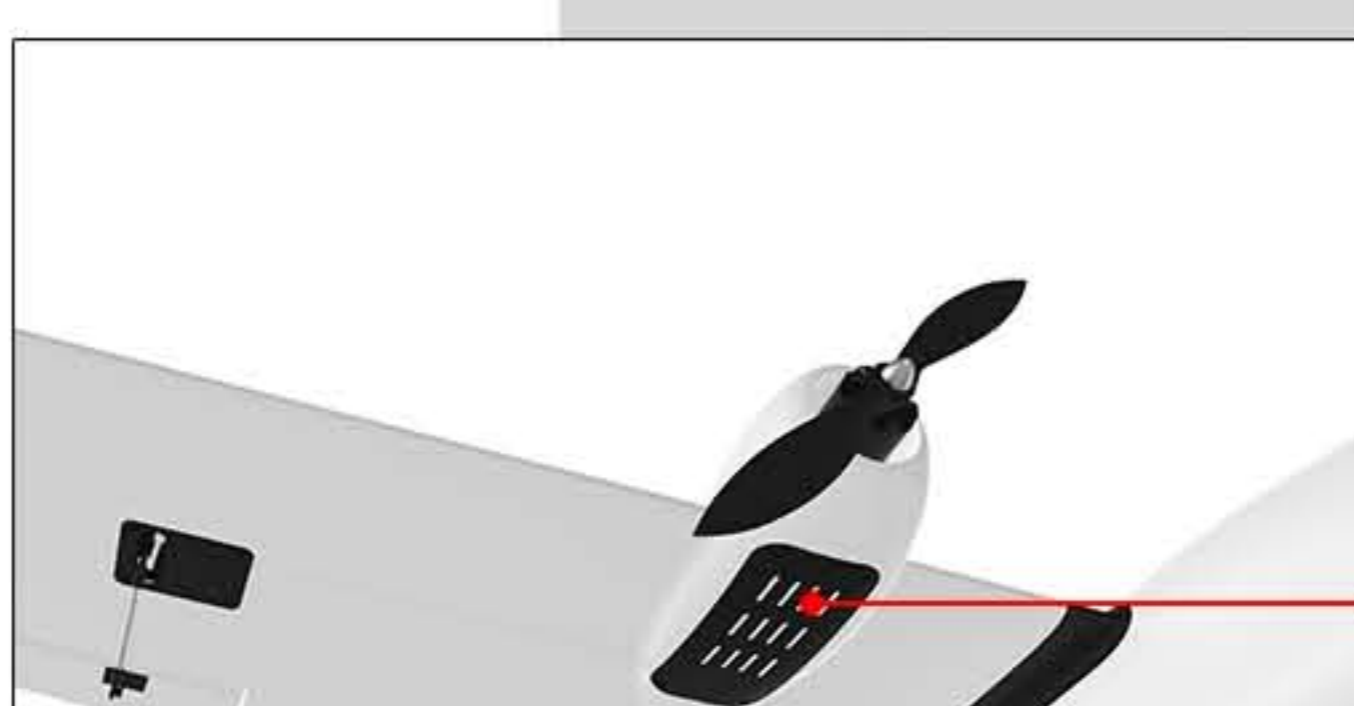
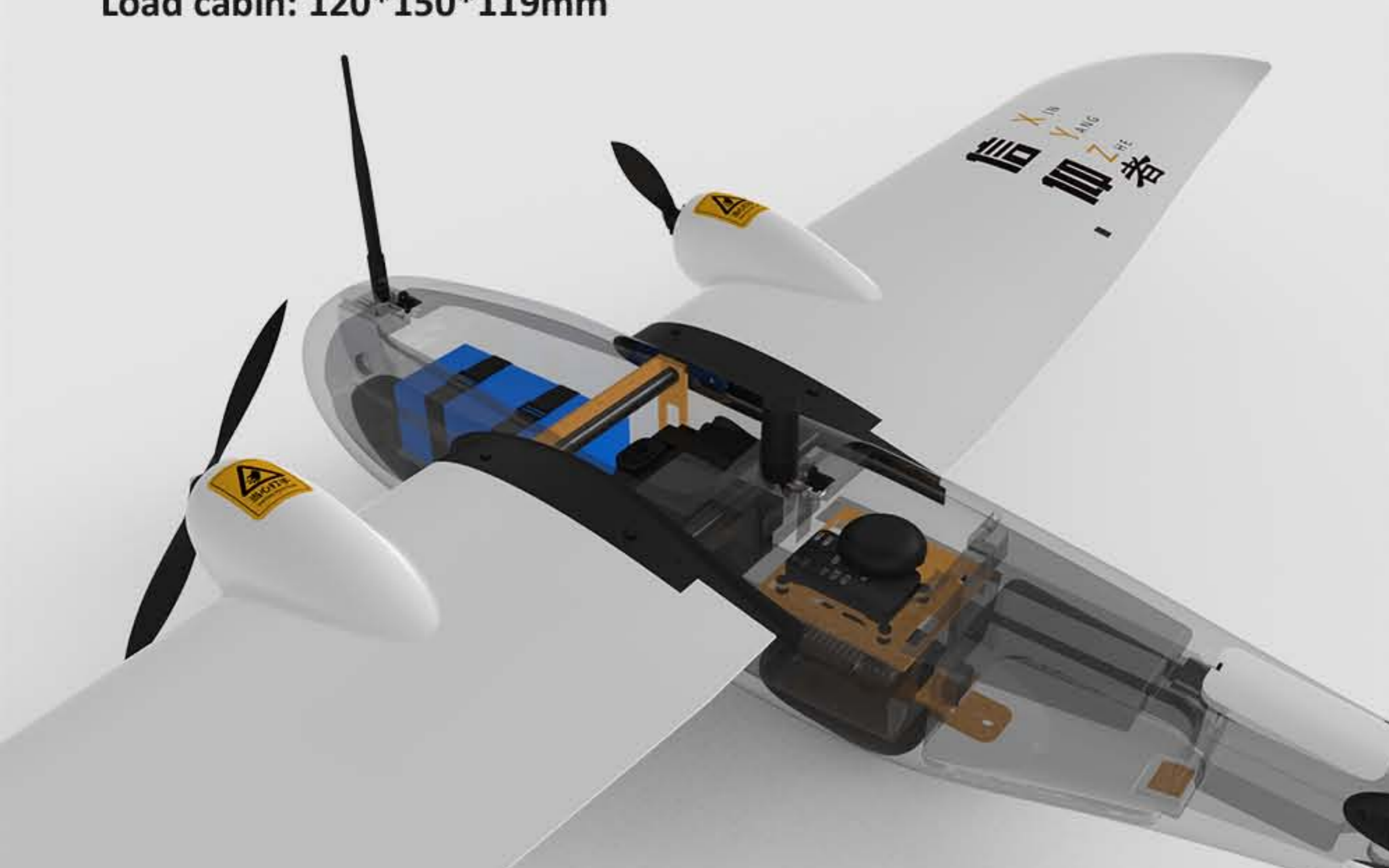
A7R2Micro SLR



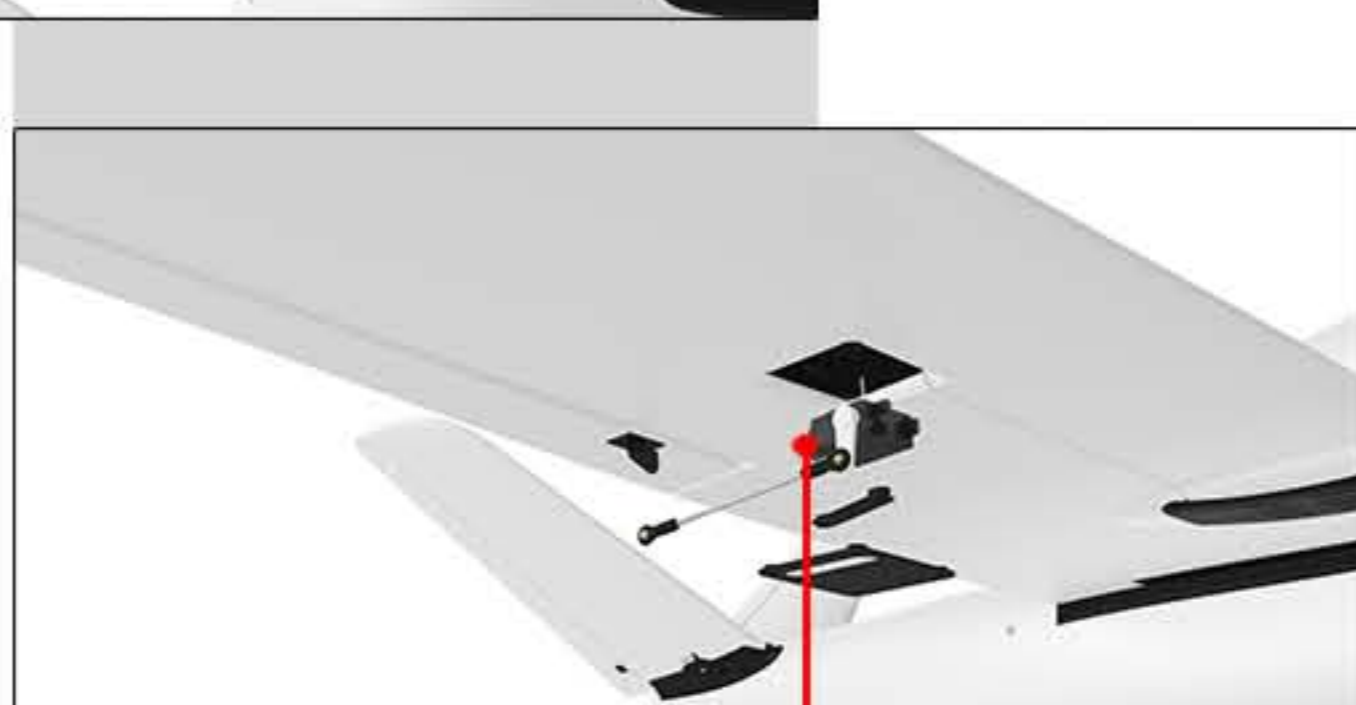
Monitor Gimbal

Battery cabin: 260*140*105mm

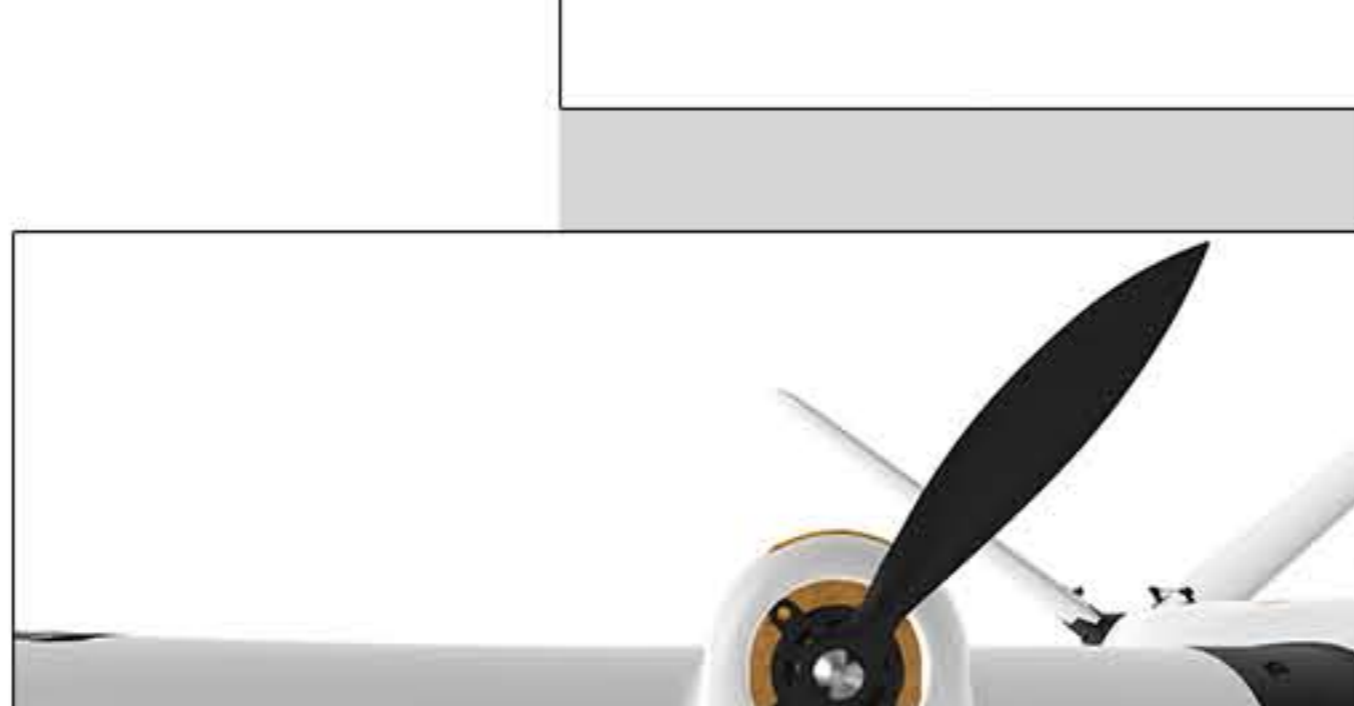
Load cabin: 120*150*119mm



ESC Hatch Cover can be removed



Aileron Servo can be removed



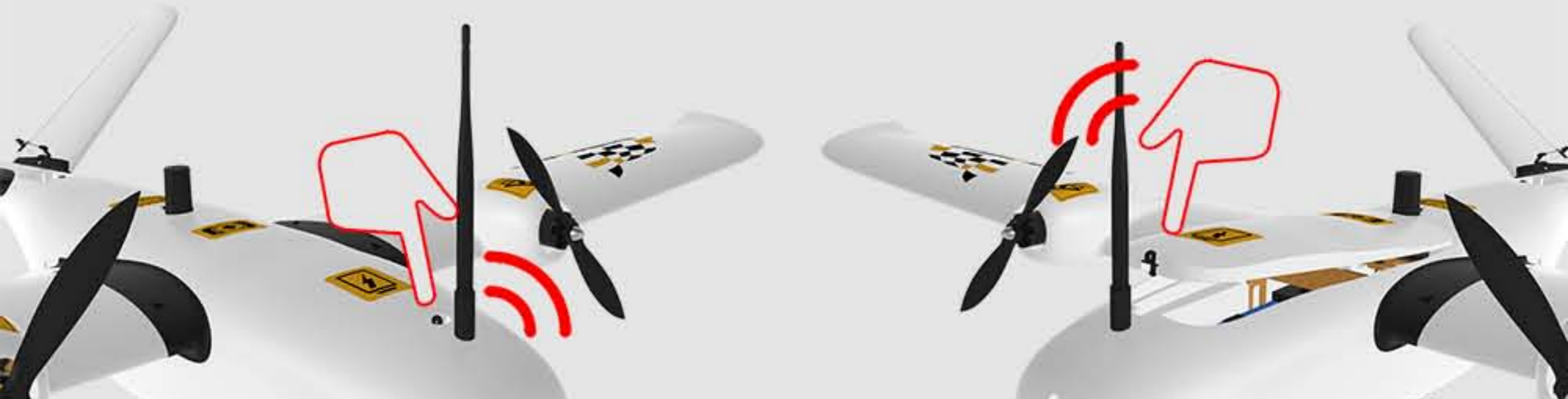
Motor Bolted Connection

Hatch cover Inching Design

Press the hatch cover to lock

Cyclic pressing

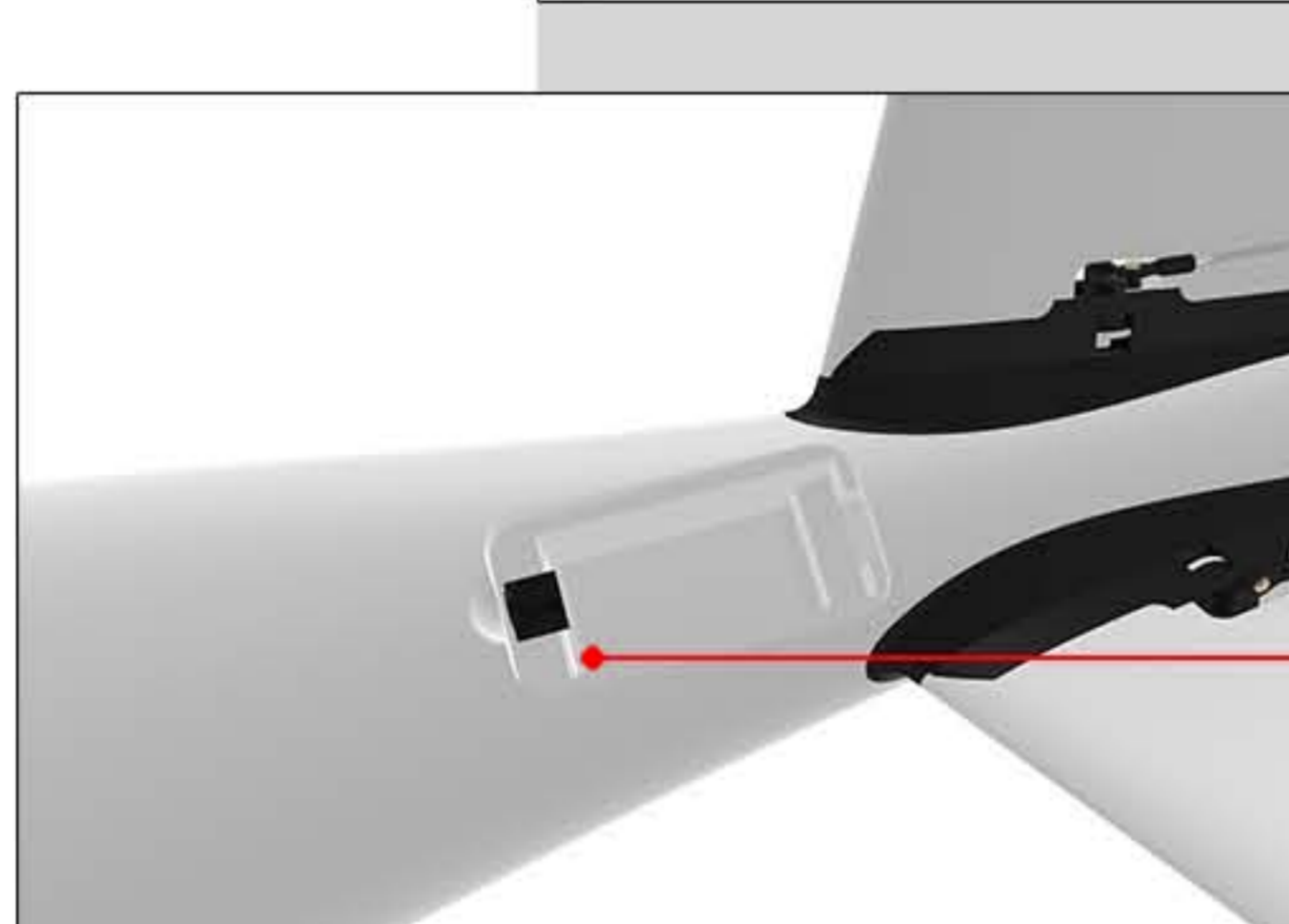
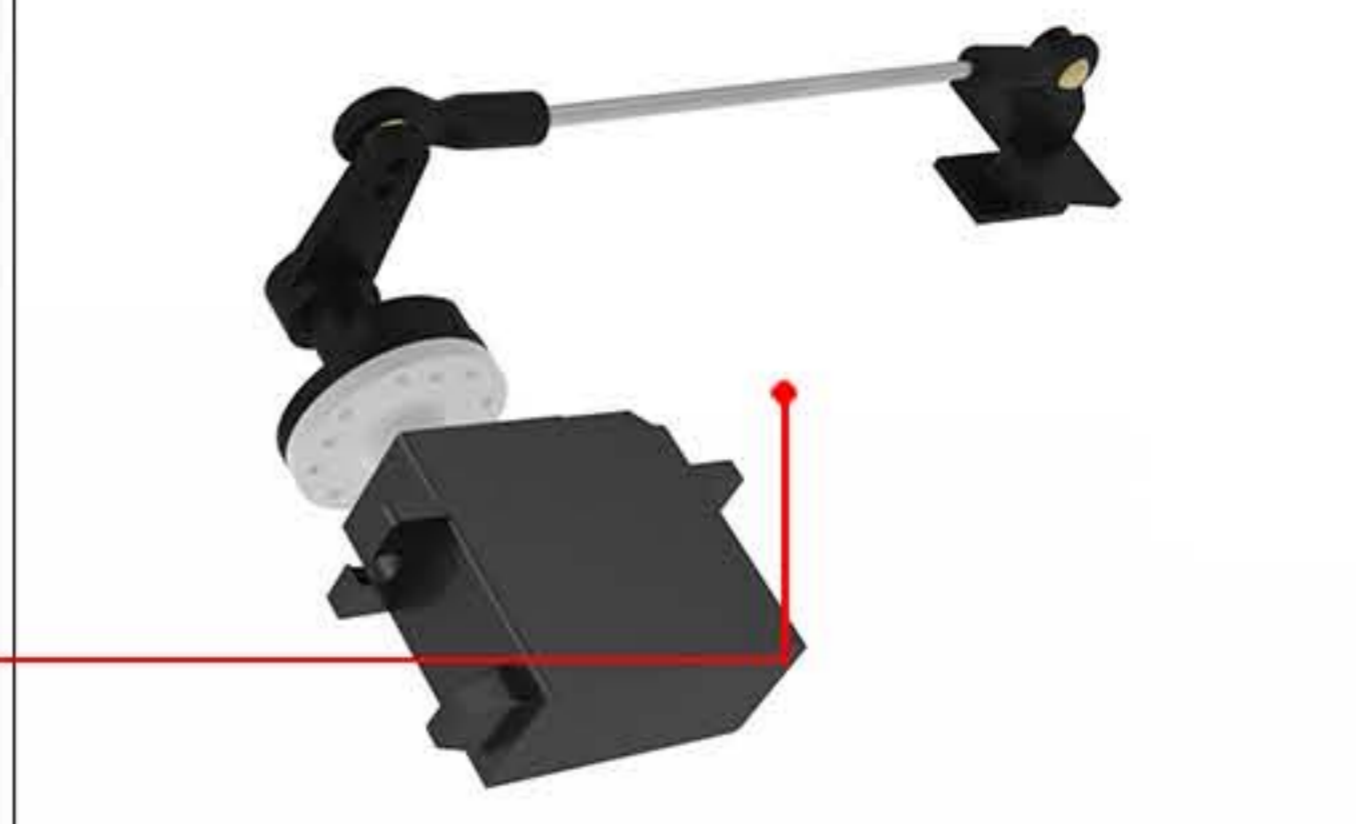
Press the hatch cover to open



Bottom Buffer Layer Design

Tail Wing Rudder Structure

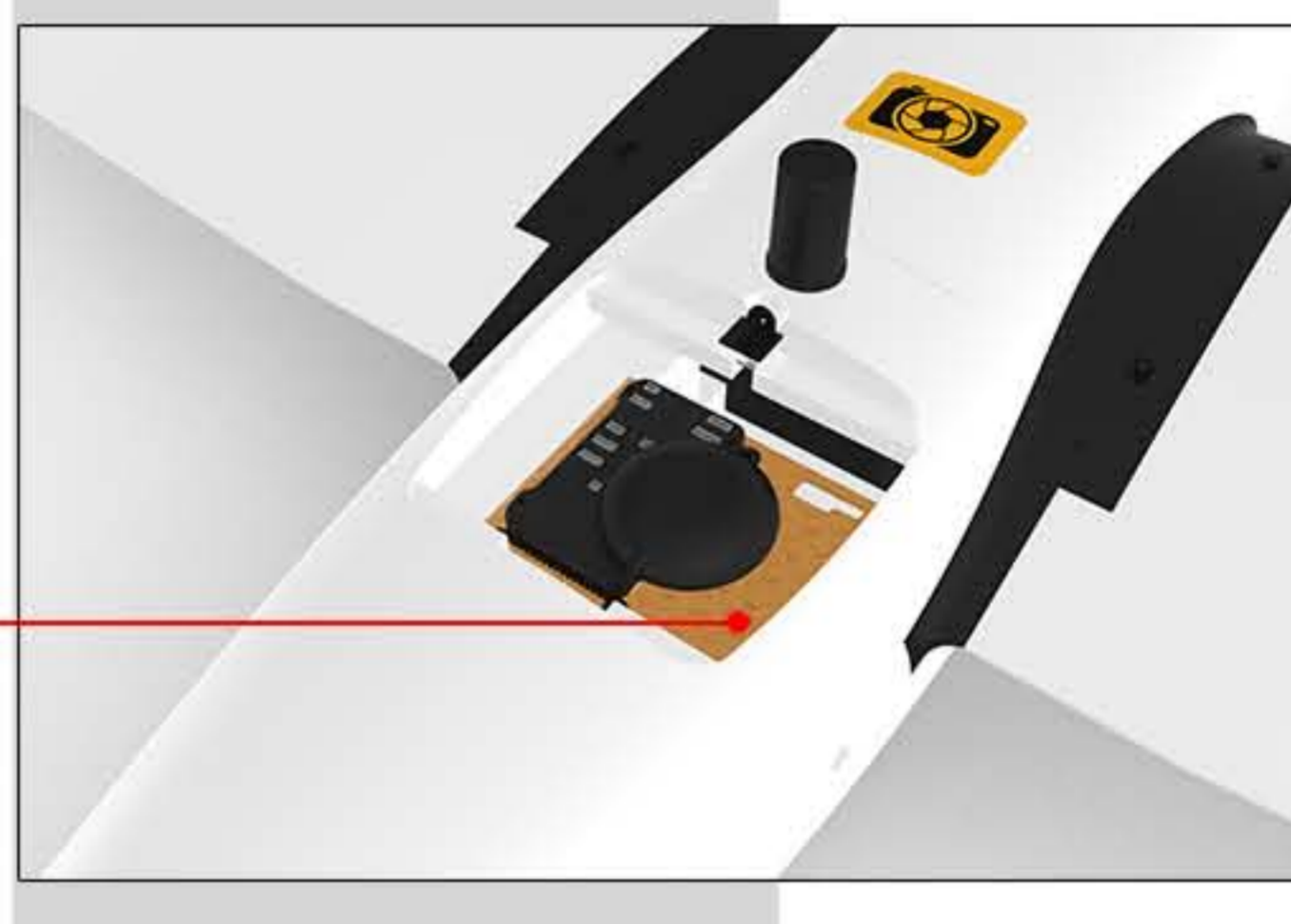
Mechanical and Electrical Separation



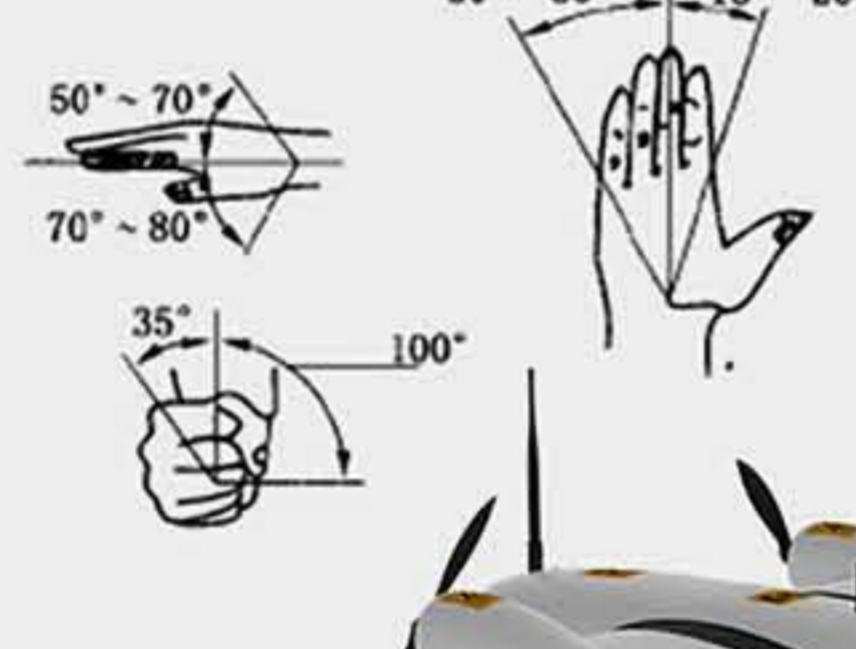
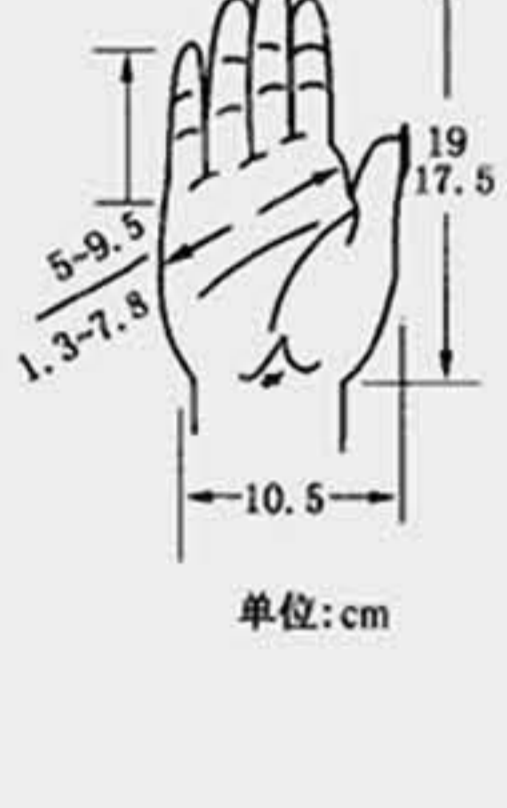
FPV Equipments Cabin
85*40*62mm
Common FPV easily put down

Flight Controller Cabin Layered Stacking Design

140*140*112mm



Rear Fuselage Ergonomic Design

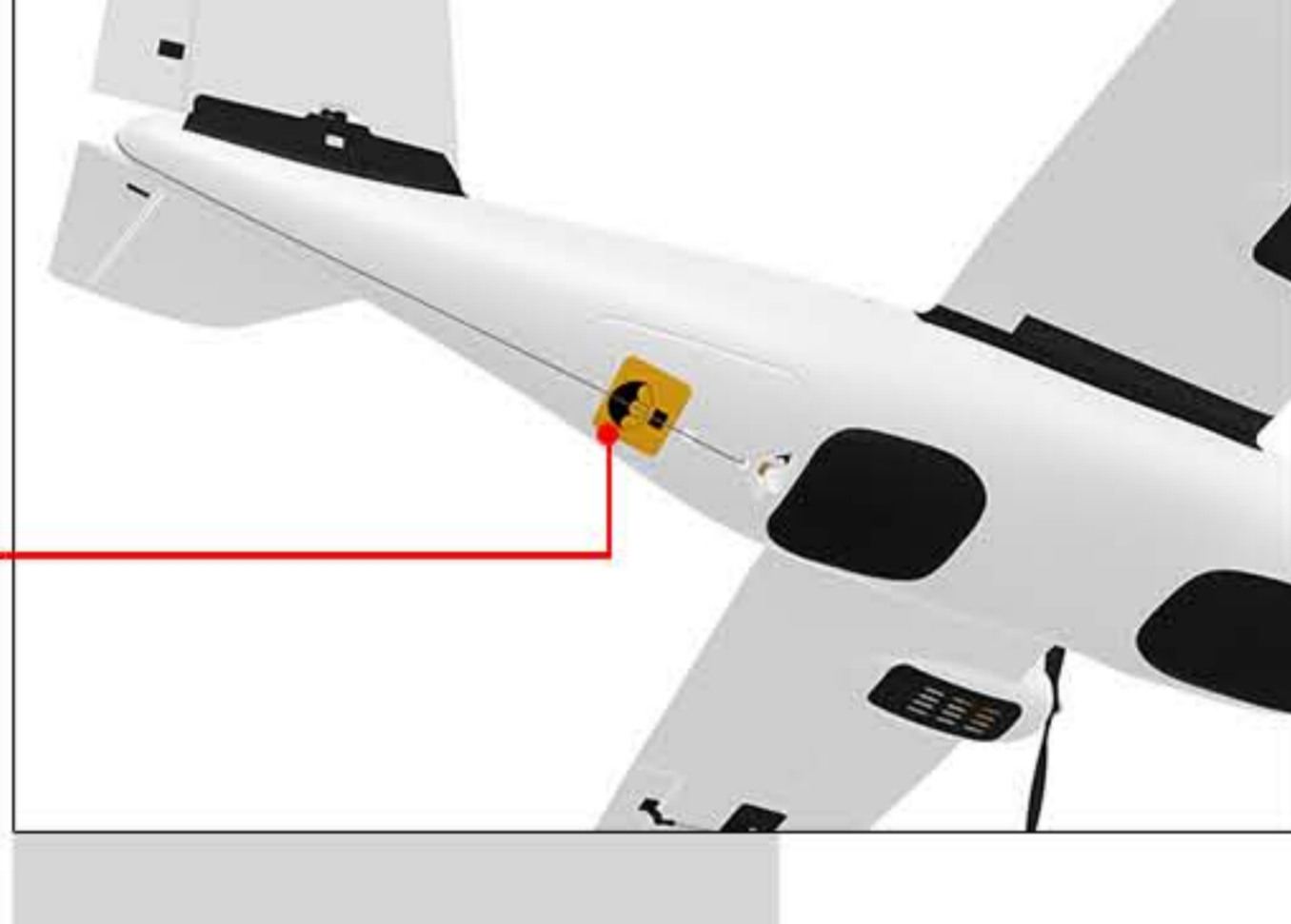


The rear end of the fuselage is within the standard ergonomic size range of the hand while ensuring the strength, making it easier to lift and more stable



Support Parachute

Parachute located in the abdomen
Volume 1.4L
6KG Parachute



Recommended Configuration and Performance

Efficient version of power configuration

SPECIES	MODEL	QUANTITY
Motor	2820 KV550	2
ESC	Hobbywing 40A	2
Servo	Emax ES3054	4
Parachute Cabin Servo	ES08 MD II	1
Propeller	APC1170 CW&CCW 1 pair or APC 1260 CW&CCW 1 pair	
Battery	6S@16000mah	1 group
Max. Pull	about 5.5 Kg	
Load Weight	about 670 g (A7RM2)	
Take-off Weight	about 5.0 Kg	
Endurance	90km (Flying altitude 550m with gentle breeze)	

Installation attention: We recommend the EMAX ES3054 metal digital servo, or other same size servo and round board helmangle for the easy installing of servo and tailings quick release devices.

List of Believer Aerial Survey Carrier PNP Set



Believer Aerial Survey Carrier x1



2820 KV550 Motorx2



Emax ES3054 Digital Metal Servo x4



BEC5V10A×1



Emax ES08MD Digital Metal Servo x1



1170 CW&CCW x2



Hobbywing XRotor 40A ESCx2

Disclaimer

Makeflyeasy aerial survey series products are sensitive items, and the manufacturer does not bear any responsibility for the consequences of direct or indirect derivative accidental injury caused by any reason, and it is forbidden to use in military.

Please keep the aircraft out of the reach of children. Make sure that the aircraft is far away from crowds and dangerous objects when flying. Do not carry out any aircraft operation while drinking, fatigue or mental discomfort.

Specifications

Video Capture Resolution	Other	Operator Skill Level	Beginner
Indoor/Outdoor Use	Outdoor	Camera Mount Type	Other
Certification	CE	State of Assembly	Unassembled Kit
Controller Mode	MODE1,MODE2	Control Channels	7 Channels
Controller Battery	0	Remote Distance	0
Power Source	Electric	Remote Control	Yes
Package Includes	Original Box	Material	Metal,Plastic,Wood,Carbon Fiber,Foam
Features	Auto Return	Origin	Mainland China
Recommend Age	18+	Aerial Photography	No
Type	Airplane		