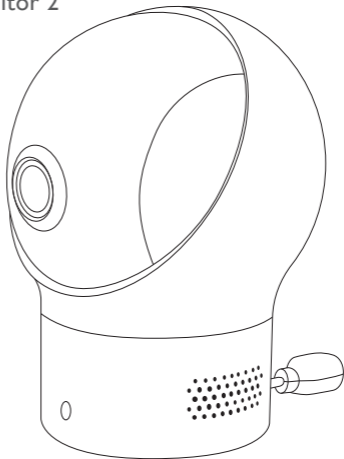


eufy

QUICK START GUIDE

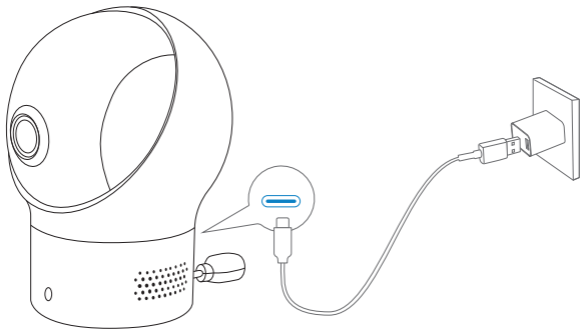
eufyCare Baby Monitor 2



1 / SAFETY INSTRUCTIONS

Strangulation Hazard: Children get **STRANGL**ED in cords. Keep cords out of the reach of children (more than 1m / 3ft away). Never use extension cords with AC adapters. Only use the AC adapters provided.

2 / POWERING ON CAMERA



3 / SETTING UP CAMERA

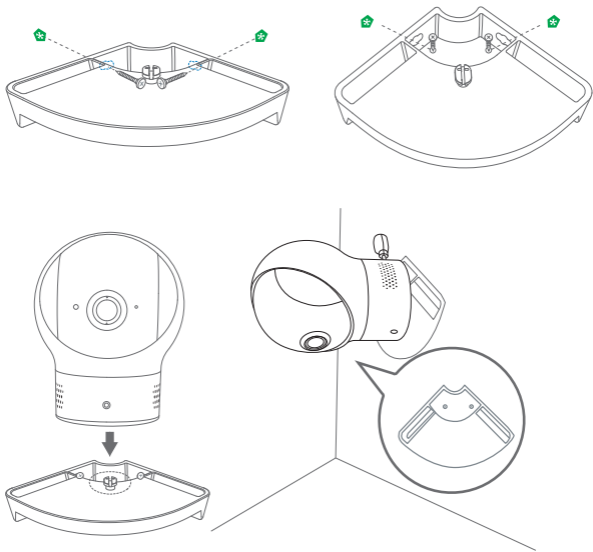
Download and install the eufyCare app, and sign up for an account. Scan the QR Code on the bottom of the camera using your eufyCare app, and follow on-screen instructions to complete the setup.

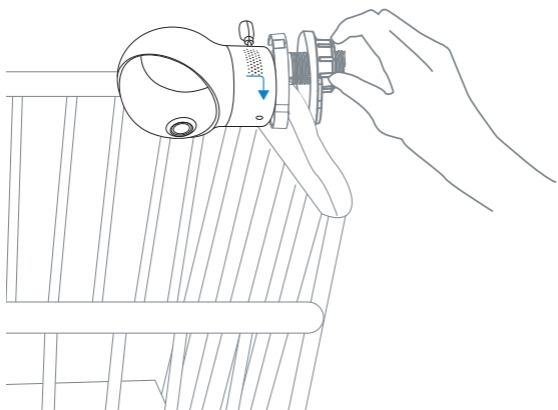
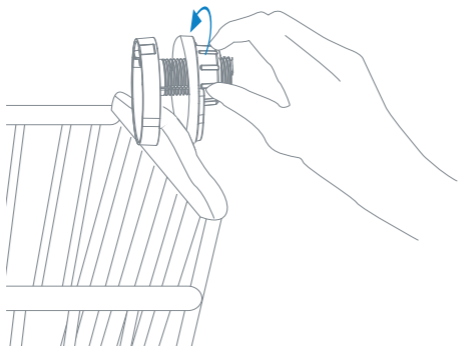


Status LED	Description
Solid white	Connected.
Flashing white	Waiting to pair.
Flashing white fast	No connection.

4 / MOUNTING CAMERA

You have three options to mount the camera: on the wall, in the corner, or on the crib.





The logo for eufy, featuring a stylized lowercase 'e' inside a circle, followed by the lowercase letters 'u', 'f', and 'y' in a clean, sans-serif font.

Anker Innovations Limited. All rights reserved. **eufy** and the **eufy** Logo are trademarks of Anker Innovations Limited, registered in the United States and other countries. All other trademarks are the property of their respective owners.

5 / NOTICE

FCC Statement

This device complies with Part 15 of the FCC Rules. Operation is subject to the following two conditions: (1) this device may not cause harmful interference, and (2) this device must accept any interference received, including interference that may cause undesired operation.

Warning: Changes or modifications not expressly approved by the party responsible for compliance could void the user's authority to operate the equipment.

Note: This equipment has been tested and found to comply with the limits for a Class B digital device, pursuant to Part 15 of the FCC Rules. These limits are designed to provide reasonable protection against harmful interference in a residential installation.

This equipment generates uses and can radiate radio frequency energy and, if not installed and used in accordance with the instructions, may cause harmful interference to radio communications. However, there is no guarantee that interference will not occur in a particular installation. If this equipment does cause harmful interference to radio or television reception, which can be determined by turning the equipment off and on, the user is encouraged to try to correct the interference by one or more of the following measures: (1) Reorient or relocate the receiving antenna. (2) Increase the separation between the equipment and receiver. (3) Connect the equipment into an outlet on a circuit different from that to which the receiver is connected. (4) Consult the dealer or an experienced radio/TV technician for help.

FCC Radio Frequency Exposure Statement

The device has been evaluated to meet general RF exposure requirements. The device can be used in fixed/mobile exposure condition. The min separation distance is 20cm.

Notice: Shielded cables

All connections to other computing devices must be made using shielded cables to maintain compliance with FCC regulations.

The following importer is the responsible party

Company Name: POWER MOBILE LIFE, LLC

Address: 10900 NE 8TH ST, STE 501, BELLEVUE, WA 98004

Telephone: 1-800-988-7973

IC Statement

This device complies with Industry Canada licence-exempt RSS standard(s). Operation is subject to the following two conditions:

- (1) this device may not cause interference, and
- (2) this device must accept any interference, including interference that may cause undesired operation of the device."

Le présent appareil est conforme aux CNR d'Industrie Canada applicables aux appareils radio exempts de licence. L'exploitation est autorisée aux deux conditions suivantes:

- (1) l'appareil n' doit pas produire de brouillage, et
- (2) l'utilisateur de l'appareil doit accepter tout brouillage radioélectrique subi, même si le brouillage est susceptible d'en compromettre le fonctionnement."


This Class B digital apparatus complies with Canadian ICES-003.

Cet appareil numérique de la classe B est conforme à la norme NMB-003 du Canada.

IC RF Statement:

When using the product, maintain a distance of 20cm from the body to ensure compliance with RF exposure requirements.

Lors de l'utilisation du produit, maintenez une distance de 20 cm du corps afin de vous conformer aux exigences en matière d'exposition RF.

 This product complies with the radio interference requirements of the European Community.

Declaration of Conformity

Hereby, Anker Innovations Limited declares that this device is in compliance with the essential requirements and other relevant provisions of Directive 2014/53/EU.

For the declaration of conformity, visit the Web site: <https://uk.eufylife.com/>.

This product can be used across EU member states.

The adapter shall be installed near the equipment and shall be easily accessible. Do not use the Device in the environment at too high or too low temperature, never expose the Device under strong sunshine or too wet environment. The suitable temperature for the product and accessories is 0°C to 40°C.

When charging, please place the device in an environment that has a normal room temperature and good ventilation.

It is recommended to charge the device in an environment with a temperature that ranges from 5°C~25°C.

Please ensure to use only the charger offered by the manufacturer. Using unauthorized charger may cause danger and violate the authorization of the projector and the guarantee article.

The charger is for indoor use only. The plug is considered as disconnected device of adapter.

The charger for T8360 type is TEKA-UCA20EU, output voltage/current is 5Vdc/2A.

RF exposure information:

The Maximum Permissible Exposure (MPE) level has been calculated based on a distance of $d=20$ cm between the device and the human body. To maintain compliance with RF exposure requirement, use product that maintain a 20cm distance between the device and human body.

Wi-Fi Operating Frequency Range: 2412~2472 MHz(2.4G); Wi-Fi Max Output Power:

17.66 dBm(ERIP);

Bluetooth Operating Frequency Range: 2402~2480 MHz; Bluetooth Max Output Power:

5.43 dBm(EIRP).

Anker Innovations Deutschland GmbH | Georg-Muche-Strasse 3, 80807 Munich, Germany



This product is designed and manufactured with high quality materials and components, which can be recycled and reused.



This symbol means the product must not be discarded as household waste, and should be delivered to an appropriate collection facility for recycling. Proper disposal and recycling helps protect natural resources, human health and the environment. For more information on disposal and recycling of this product, contact your local municipality, disposal service, or the shop where you bought this product.



This product complies with the radio interference requirements of the United Kingdom

Declaration of Conformity

Hereby, Anker Innovations Limited declares that this product is in compliance with Radio Equipment Regulations 2017. The full text of the UK declaration of conformity is available at the following internet address: <https://uk.eufylife.com>

The charger is for indoor use only. The plug is considered as disconnected device of the adapter.

The charger for T8360 type is TEKA-UCA20BS, output voltage/current is 5Vdc/2A.

Anker Technology (UK) Ltd | Suite B, Fairgate House, 205 Kings Road, Tyseley, Birmingham, B11 2AA, United Kingdom

Customer Service

Warranty

12-month limited warranty

Call Us

United States

+1 (800) 988 7973 Mon-Fri 9AM-5PM (PT)

United Kingdom

+44 (0) 1604 936 200 Mon-Fri 6AM-11AM (GMT)

Germany

+49 (0) 69 9579 7960 Mon-Fri 6:00-11:00

Email Us

Customer Support: support@eufylife.com

Anker Innovations Limited

Room 1318-19, Hollywood Plaza, 610 Nathan Road, Mongkok, Kowloon, Hong Kong



@EufyOfficial



@EufyOfficial



@EufyOfficial