

Backwalls PEGASUS 3M

V2



Description

- Telescopic poles (vertical and horizontal) allow for height and width adjustment
- Graphic assembly via tunnels
- Installation by means of snap-on clips
- Toolless assembly
- Carrying bag with compartments included

Accessories



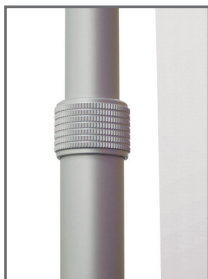
Kit Extension
UB167S-01

Recommended material for graphics

- Textile material or banner with a maximum thickness of 225 microns
- The material should be lightweight
- Dimensions of visible graphics: 1730-2400 (H) x 1660-3000 (W) mm



Easy assembly



Telescopic poles



Graphic assembly
via tunnels

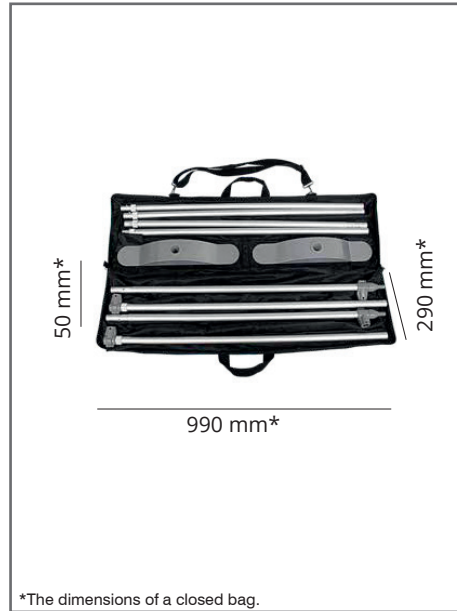
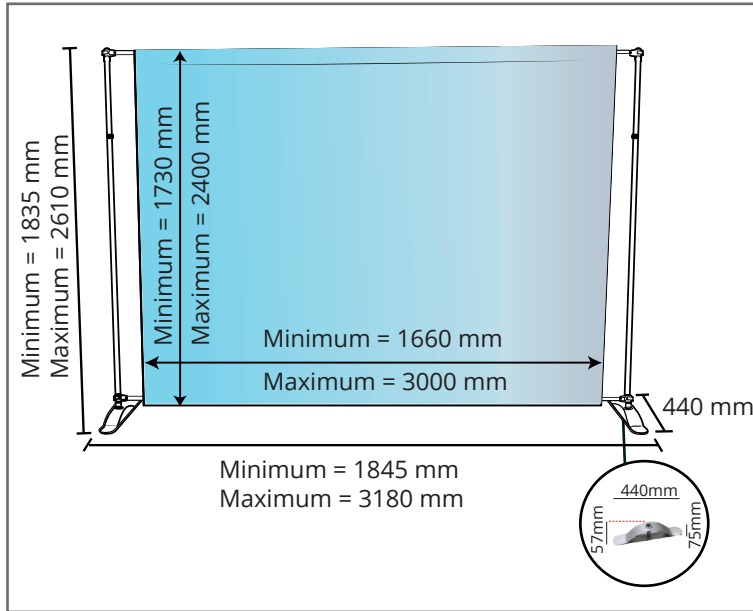


Measure on the poles

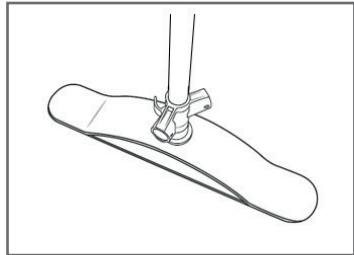
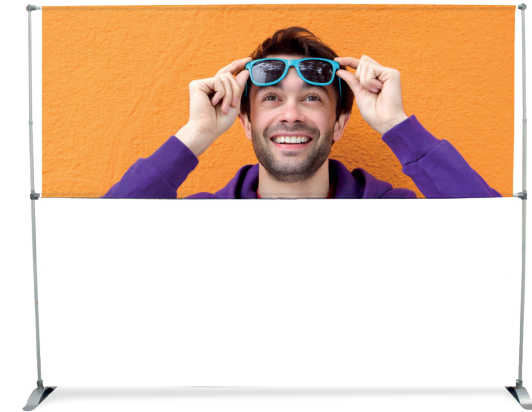
Backwalls

PEGASUS 3M

V2



*The dimensions of a closed bag.

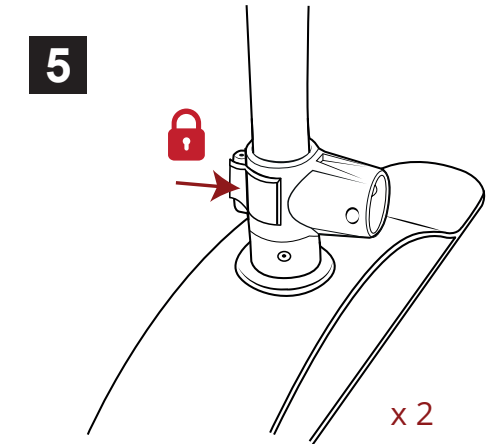
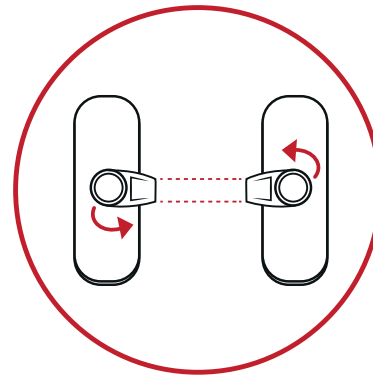
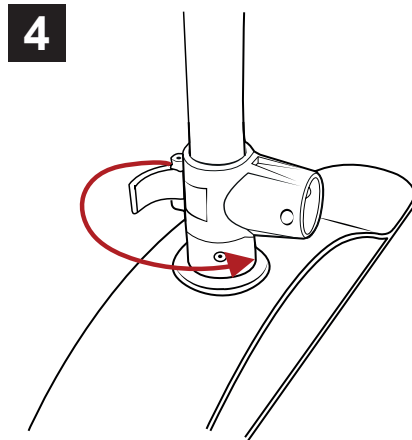
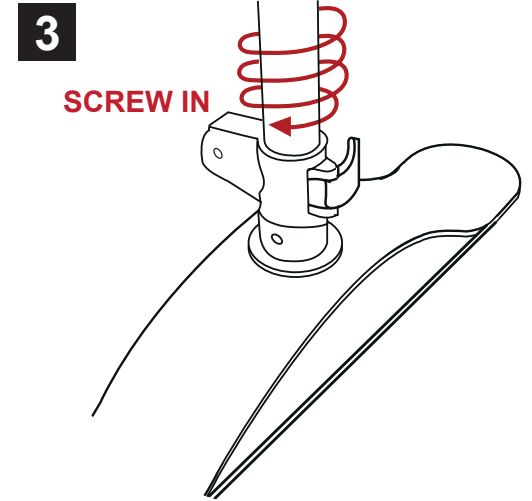
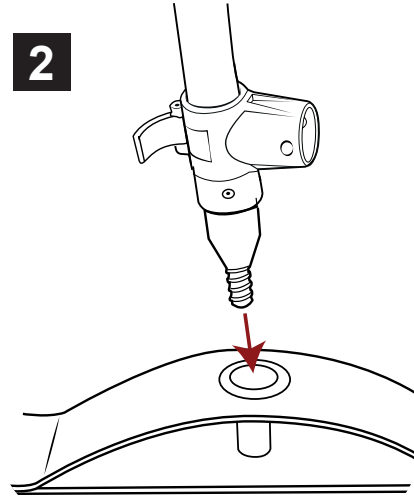
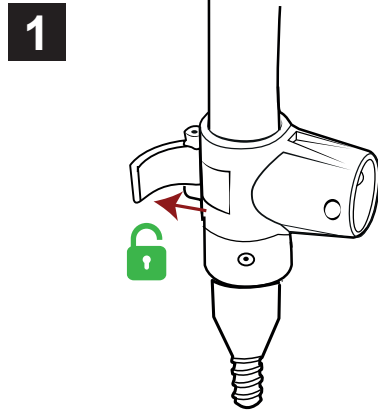


- Steel feet: 57mm [h] x 75mm [l] x 440mm [p]
- Foot weight: 1,3 kg
- Horizontal and vertical poles diameter:
- Wide section: Ø25mm
- Telescopic section: Ø22mm
- Clamping ring diameter: Ø30mm

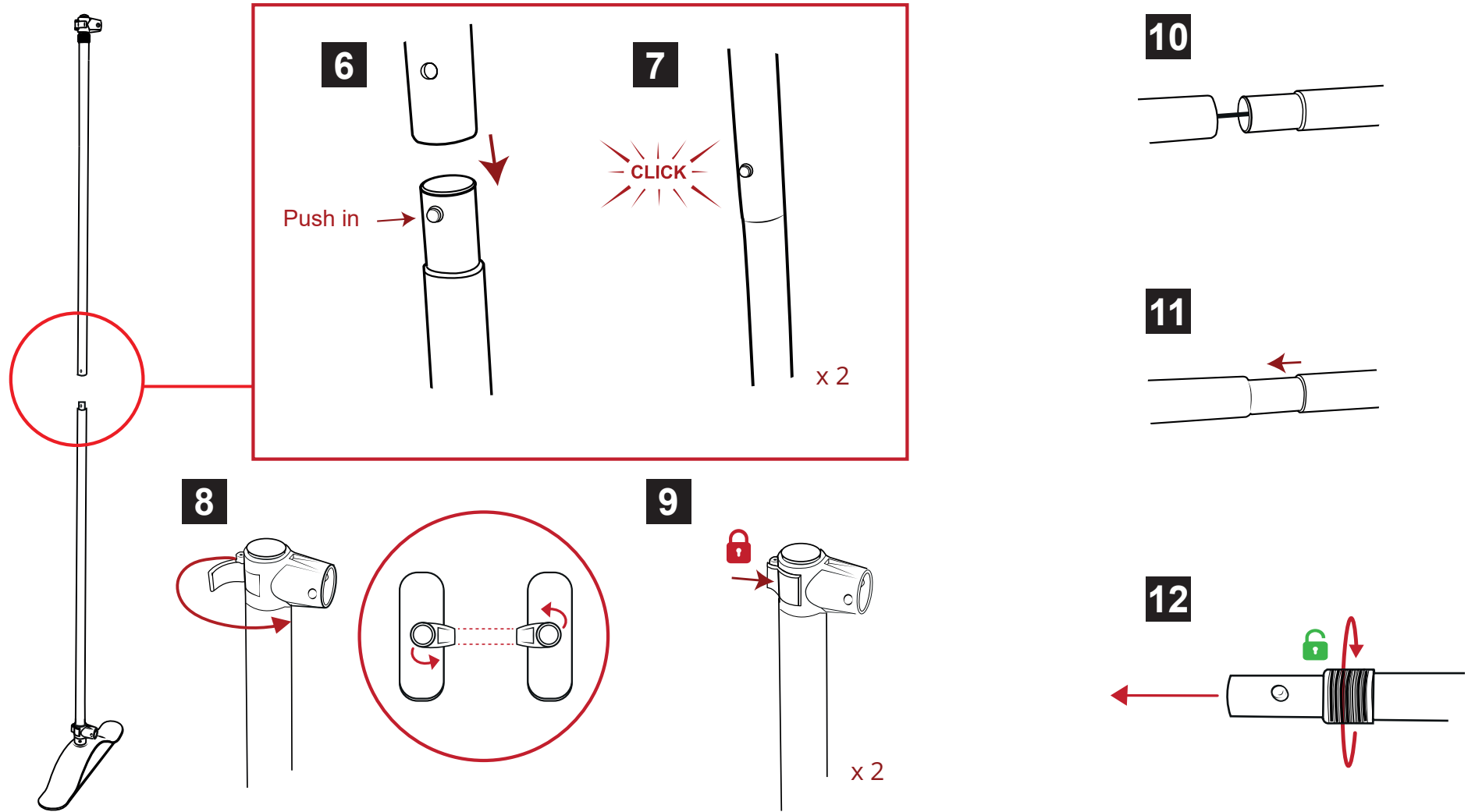
Structure

Code	Description	Hardware Dimensions (h x w x d mm)	Hardware Weight	Hardware Weight in a bag	Parcel dimensions (h x w x d mm)	Parcel weight
UB167-S	Pegasus 3M	1835/2610 x 1845/3180 x 440 mm	5 kg	5,4 kg	100 x 970 x 265	6,3 kg

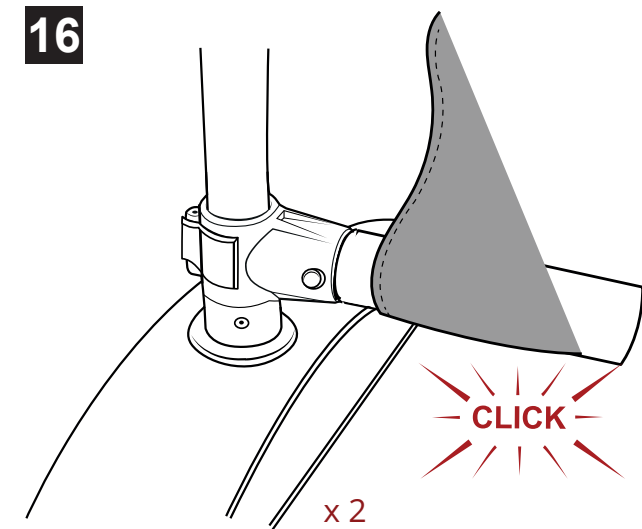
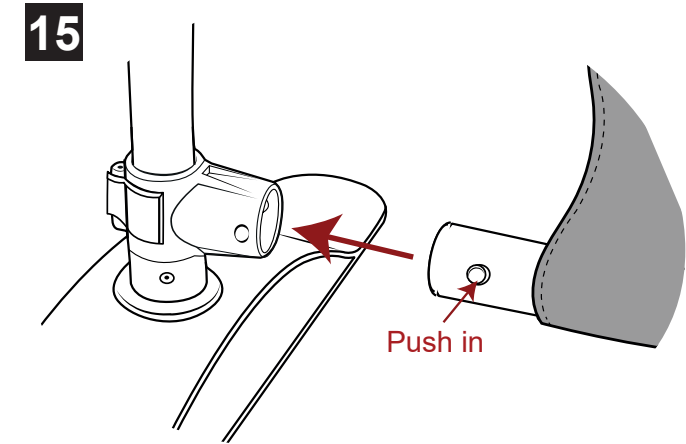
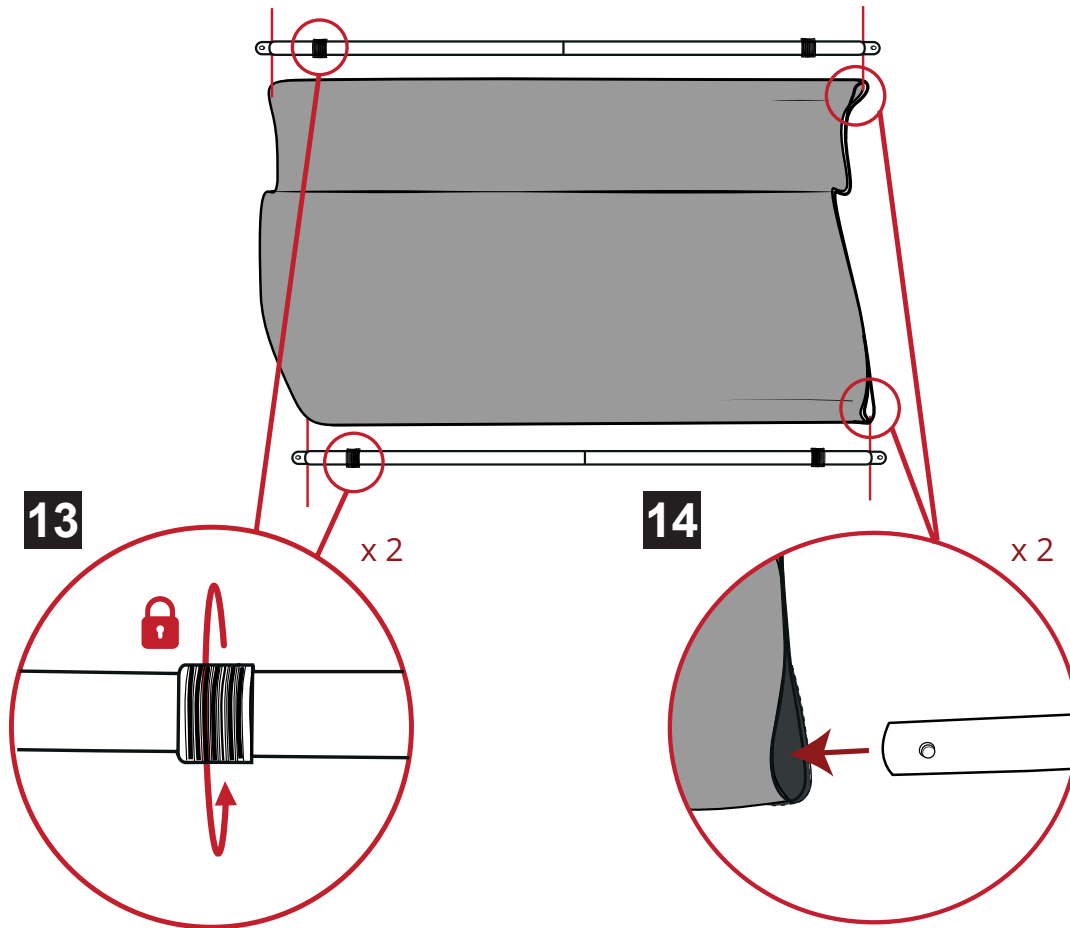
Assembly



Assembly

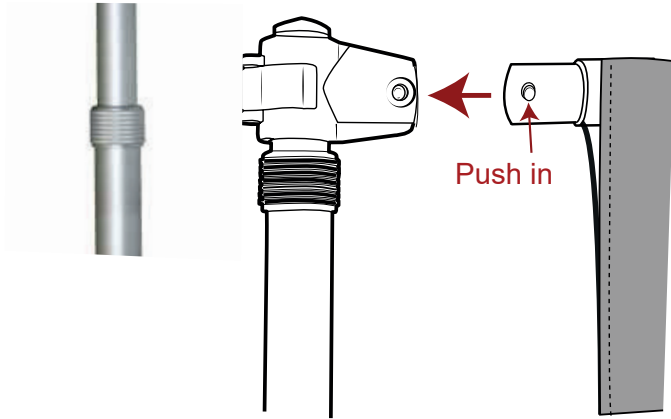


Assembly

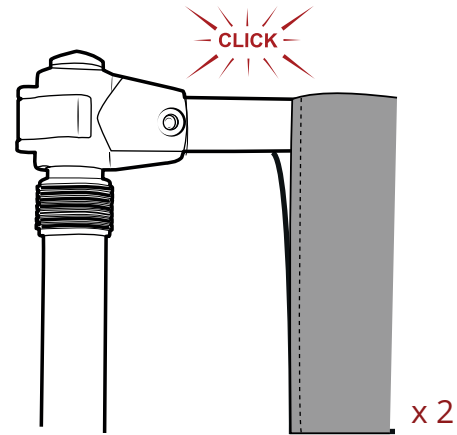


Assembly

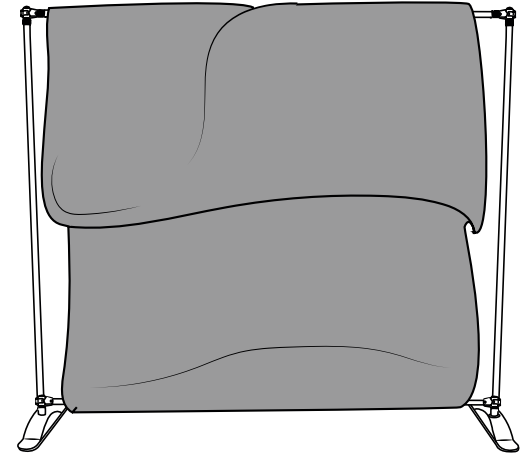
17



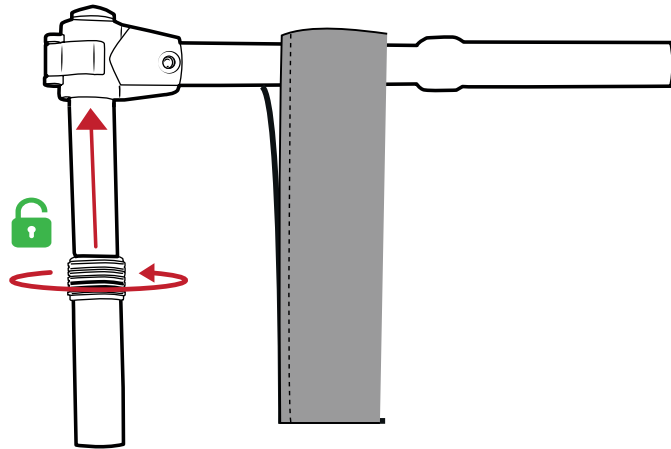
18



19



20



21

