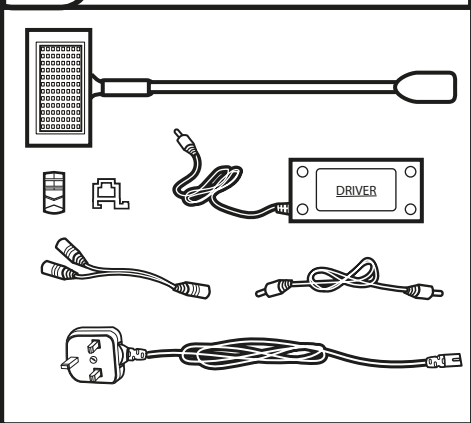


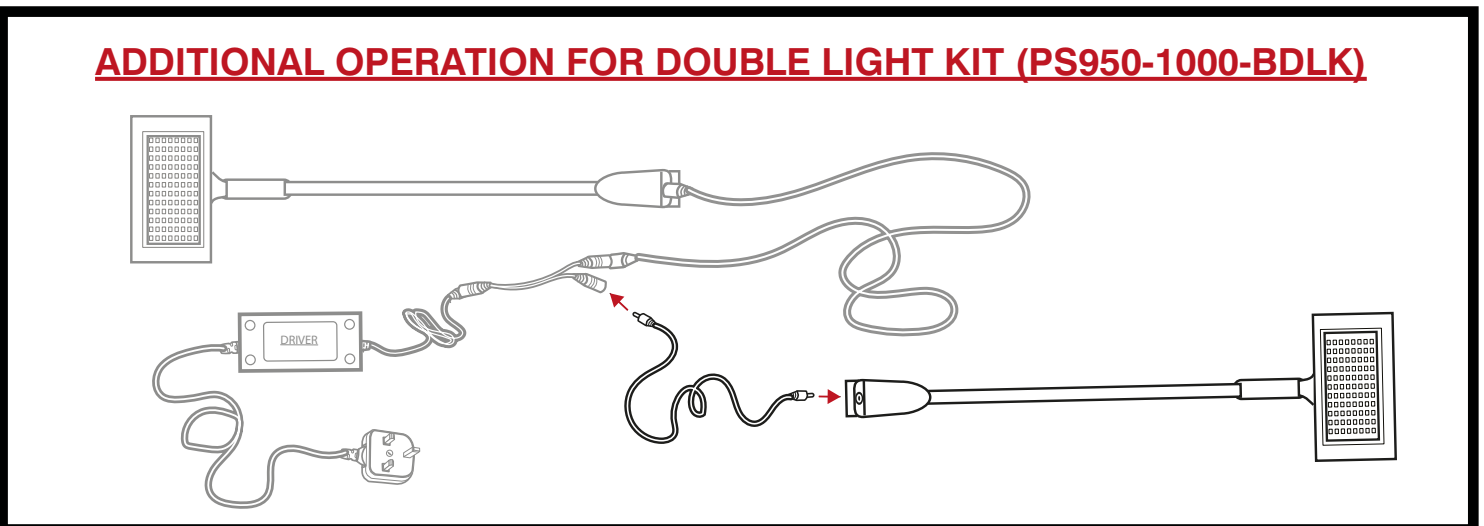
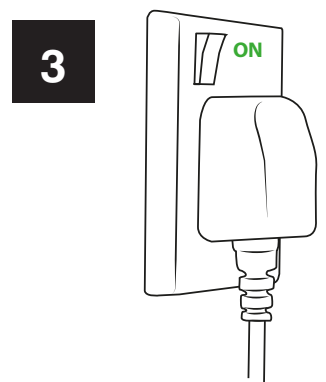
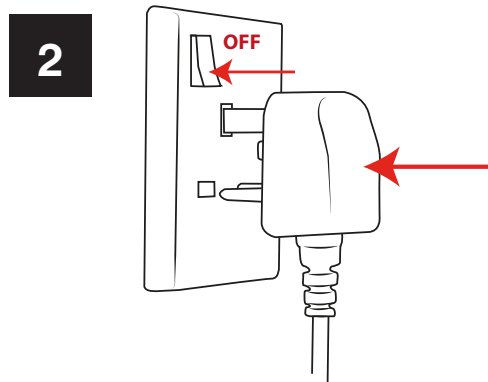
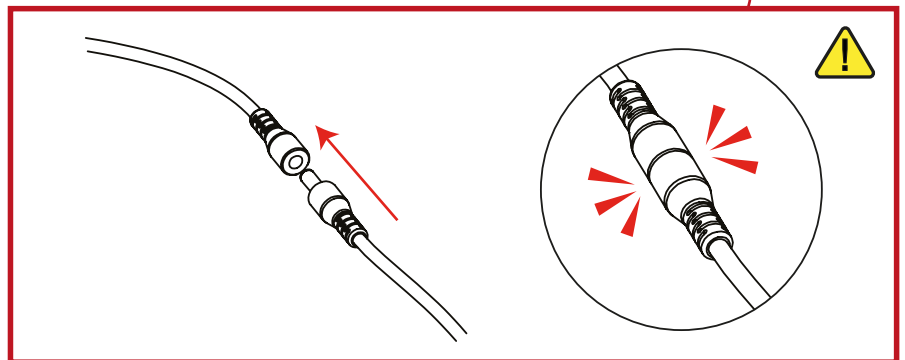
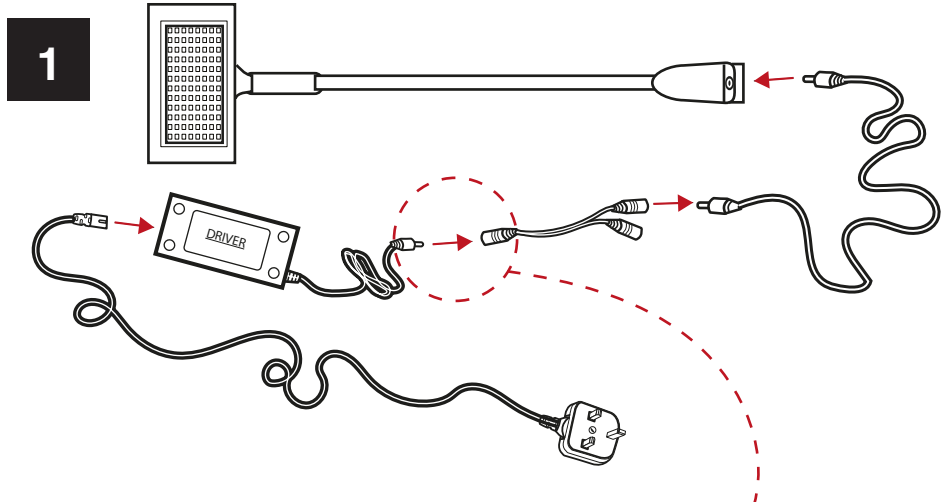



**PARTS (NOT TO SCALE)**

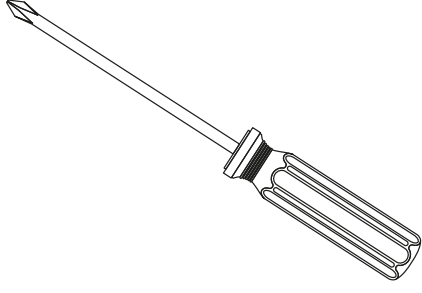


**FOR ATTENTION**

- Ensure all fittings are correct and secure before connecting to power. Failure to do so could damage the LEDs
- Always disconnect at mains before disconnecting wiring
- Do not touch face of LED light as localised heating may occur

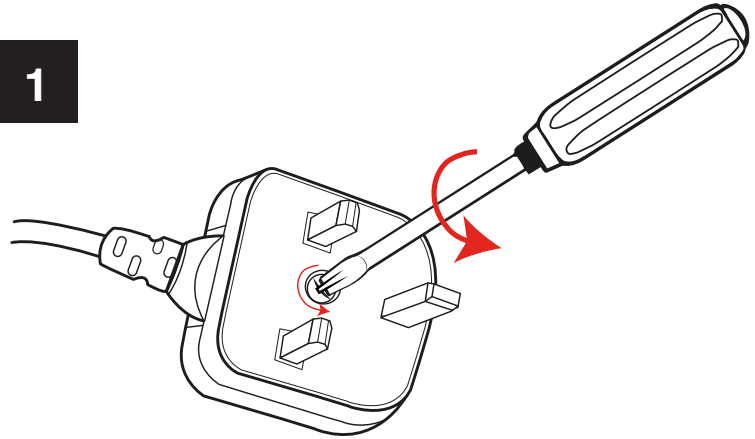


 **TOOLS REQUIRED**

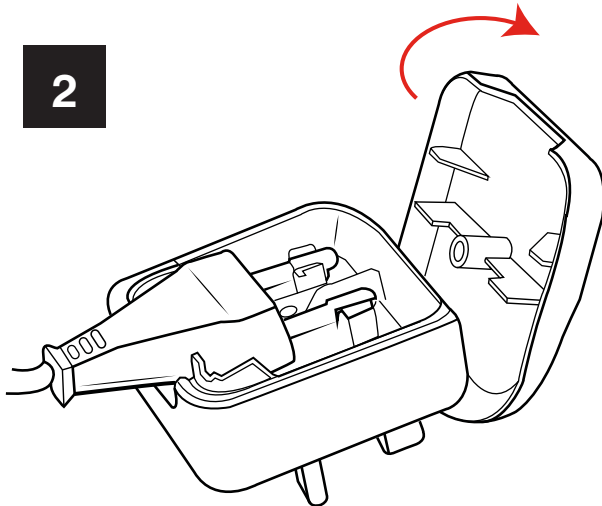


## REMOVING OUTER PLUG CASING

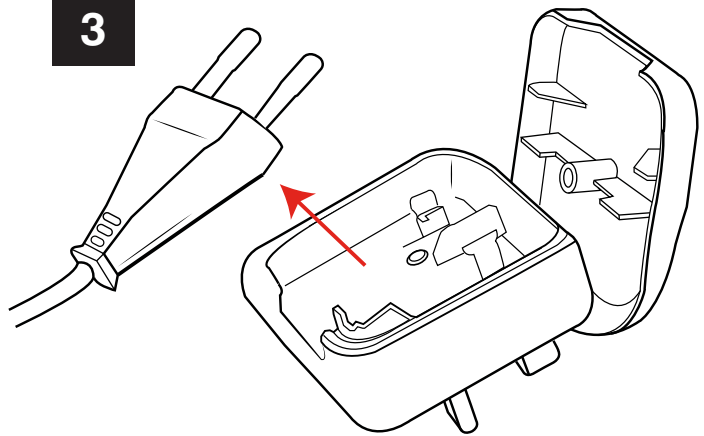
1



2

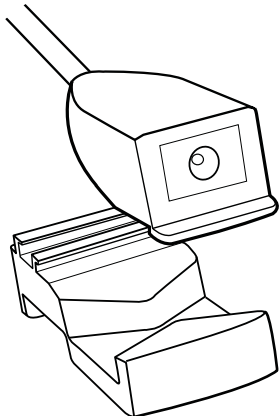


3

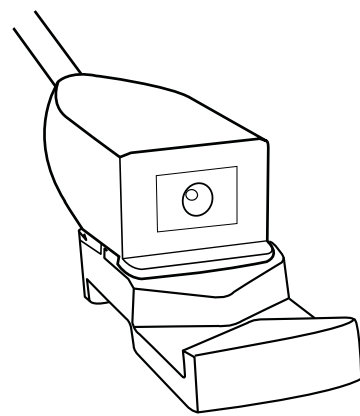


## ATTACHING TO HOP-UP/POP-UP FRAMES

1

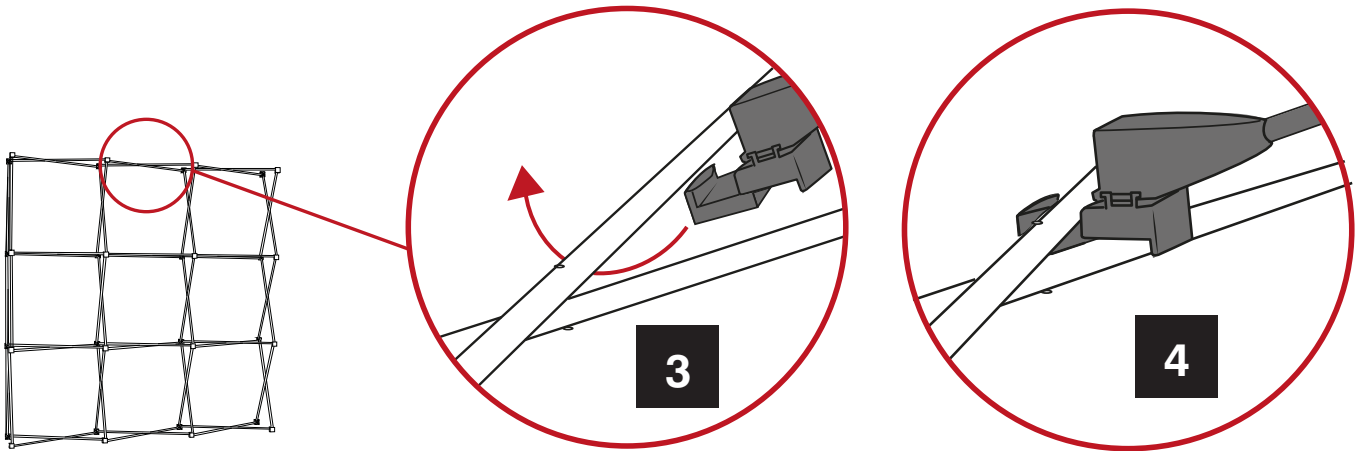


2





**ATTACHING TO HOP-UP/POP-UP FRAMES CONTD.**



**ATTACHING TO VECTOR FRAME**

