

# Meshroom S

User Guide-Additional Info

## Additional Info

其他资讯 / Información Adicional / 追加情報 / 추가 정보

Additional Info

## ATX / Micro-ATX Mode

ATX/MATX 模式 /

ATX/MATX Mode

## Dual Radiator Mode

双水冷排模式 /

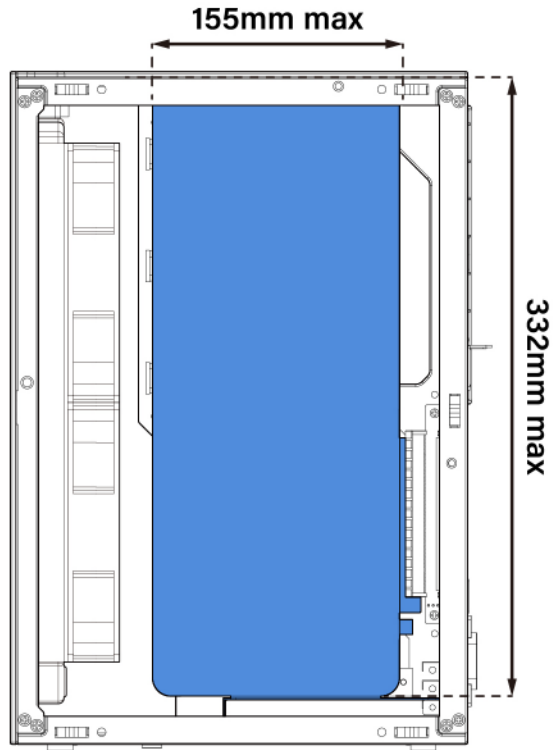
Dual Radiator Mode

# Additional Info

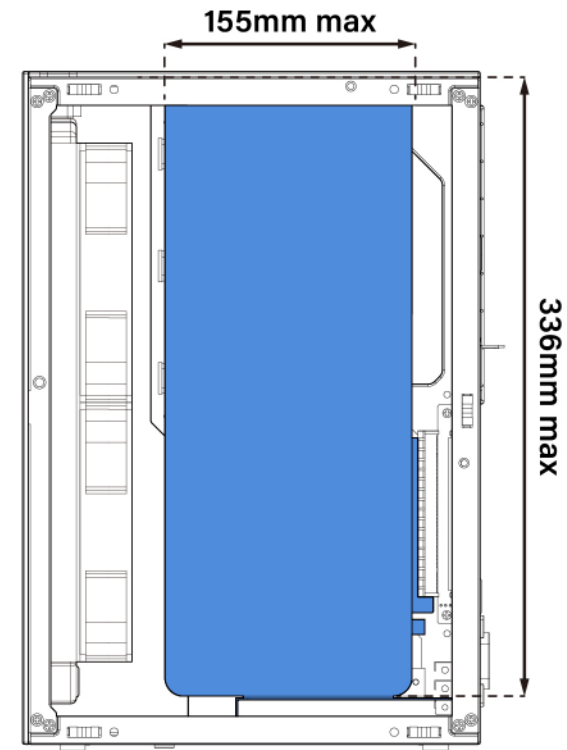
其他资讯 / Información Adicional / 追加情報 / 추가 정보

# Graphic Gard Limitations

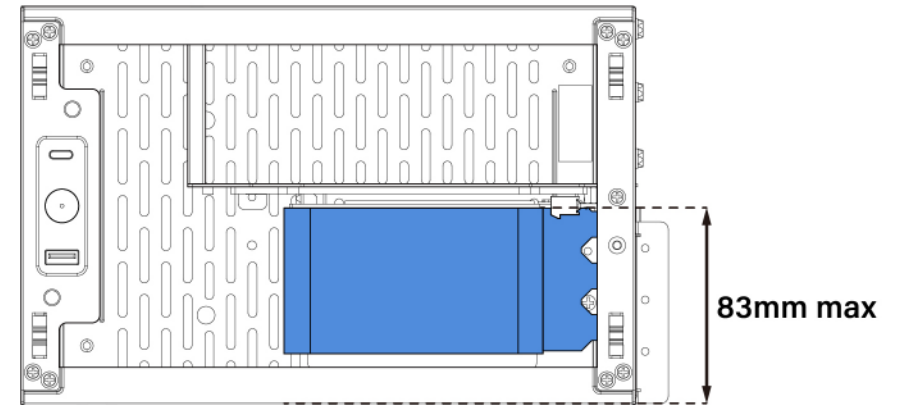
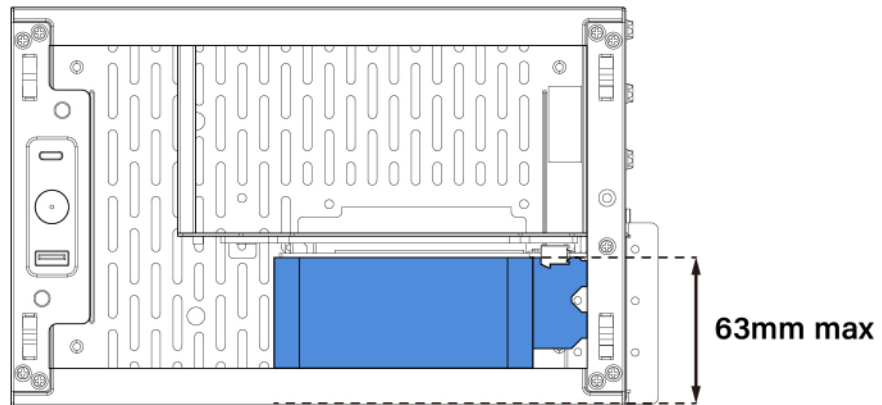
显示卡限制 / Limitaciones de la tarjeta gráfica / グラフィック カードの制限事項 / 그래픽 카드의 제한 사항



3 Slot GPU Mode



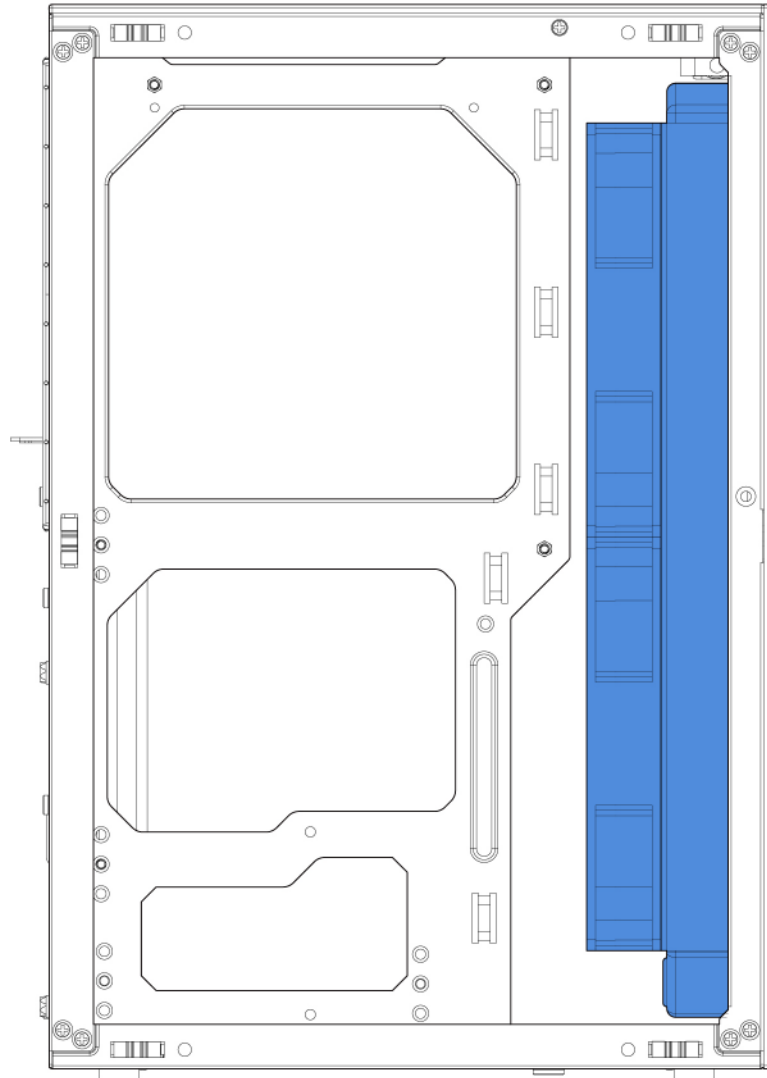
4 Slot GPU Mode



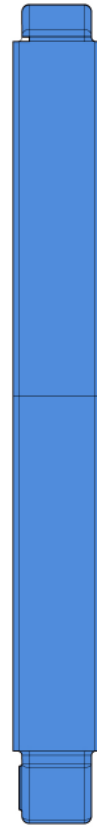


# Water Cooling Options

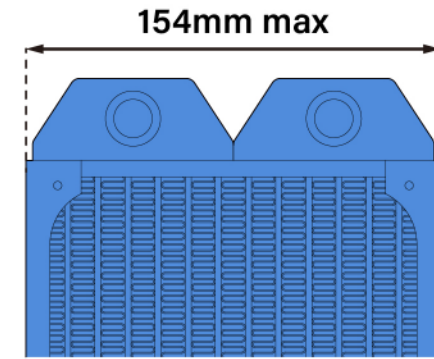
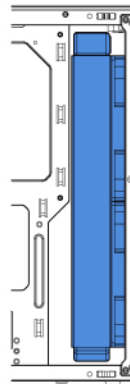
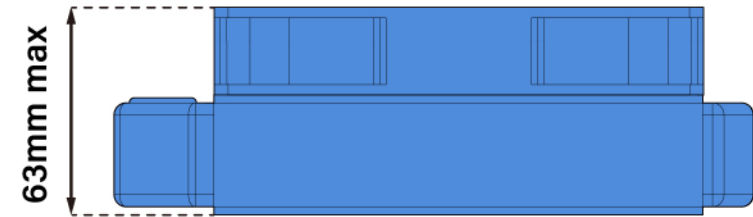
水冷散热器选项 / Opciones de radiadores de refrigeración líquida / 水冷却ラジエーター オプション / 물 냉각 라디에이터 옵션



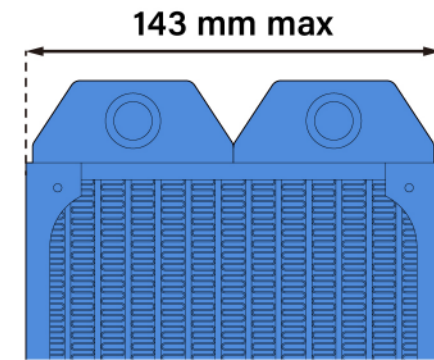
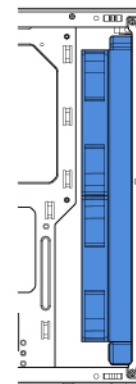
280



240



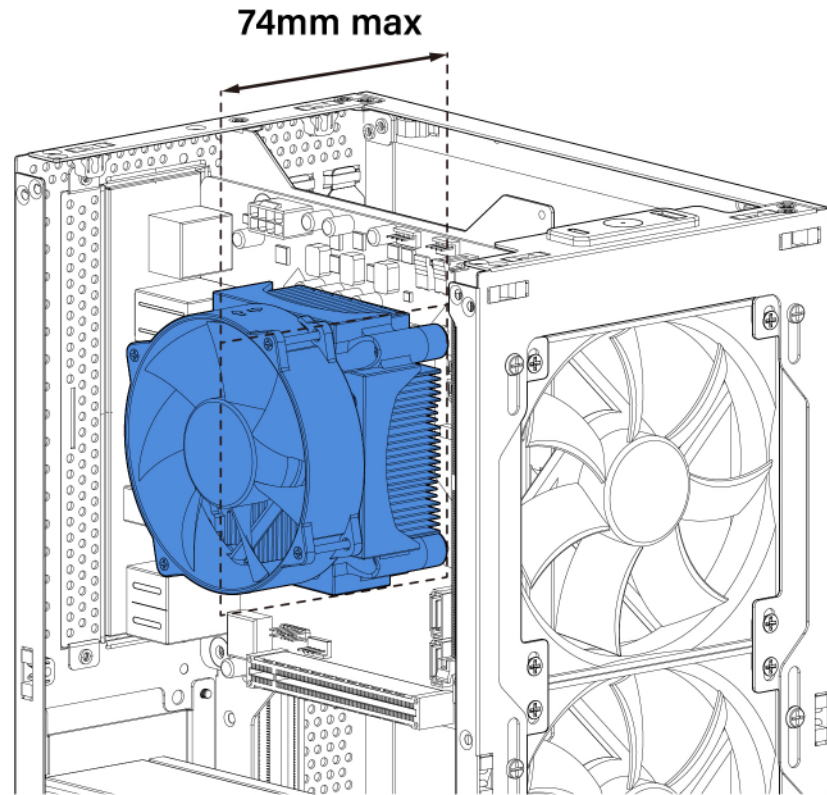
Fan in front of the radiator,  
the width of radiator is 154mm



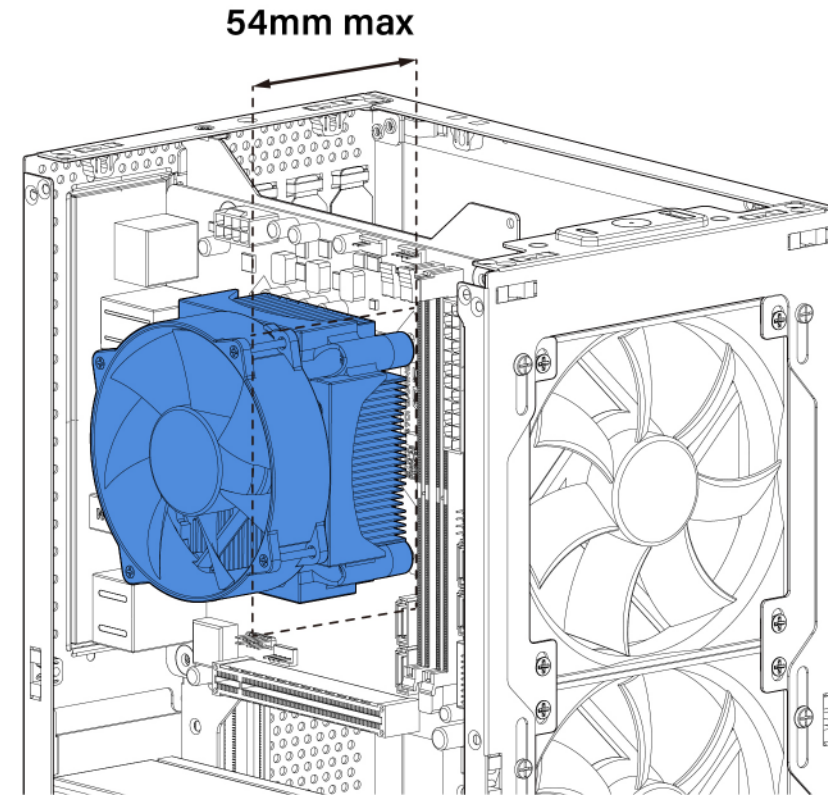
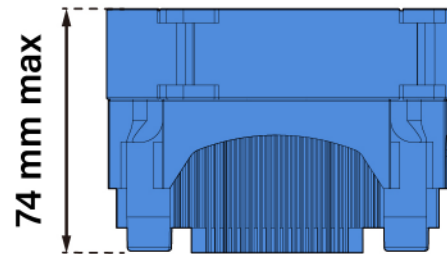
Fan behind the radiator,

# CPU Cooling Limitations

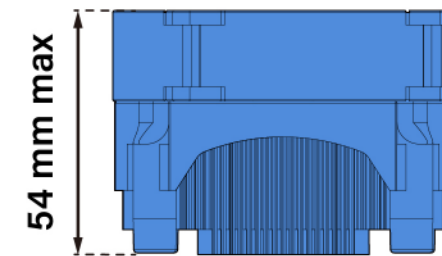
CPU冷却器限制 / Limitaciones del refrigerador de la CPU / CPUクーラーの制限事項 / CPU 쿨러의 한계



3 Slot GPU Mode

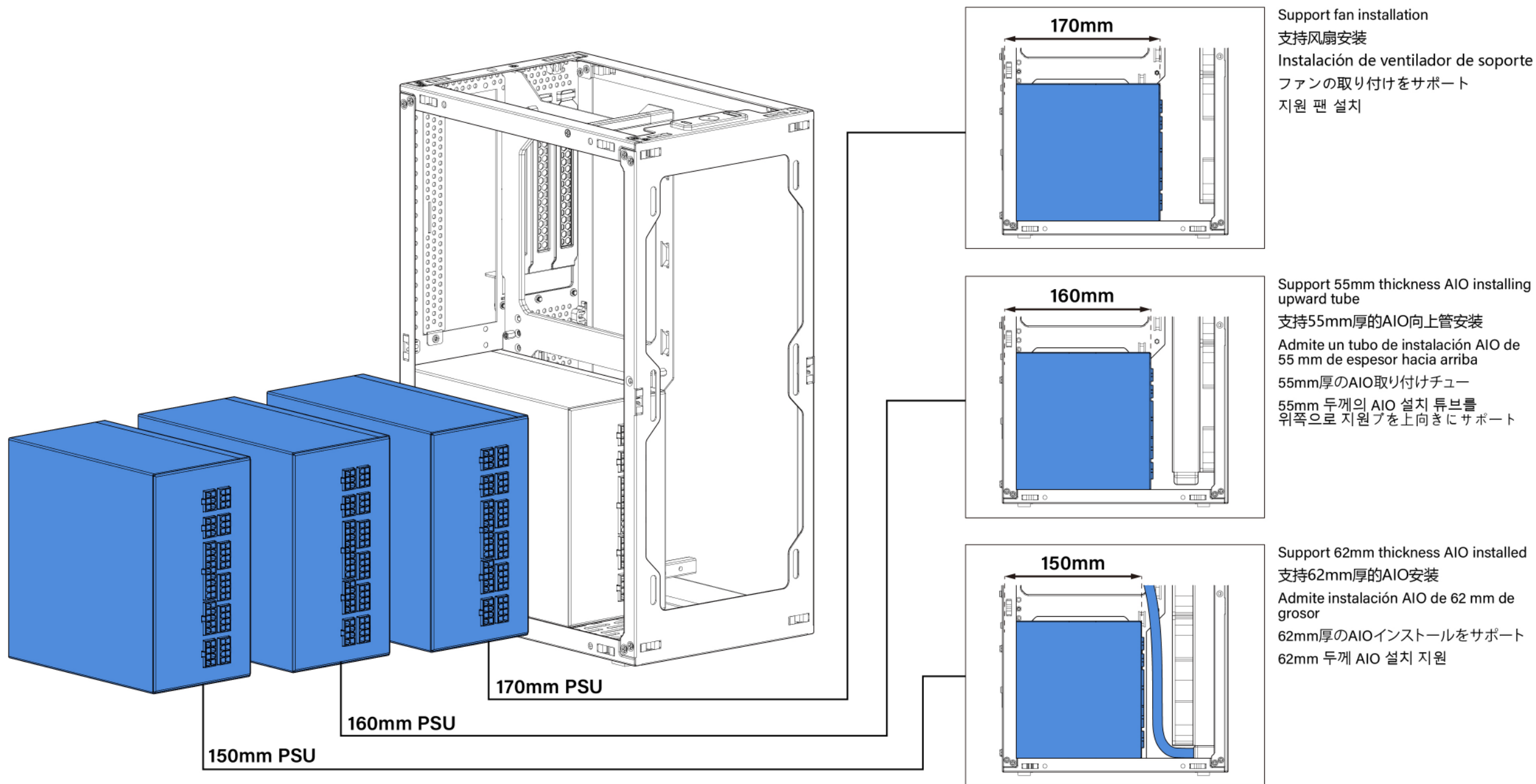


4 Slot GPU Mode



# Power Supply Limitations

电源供应器限制 / Limitations de puissance / 电源装置の制限事項 / 전원 공급 장치의 제한 사항



# ATX / Micro-ATX Mode

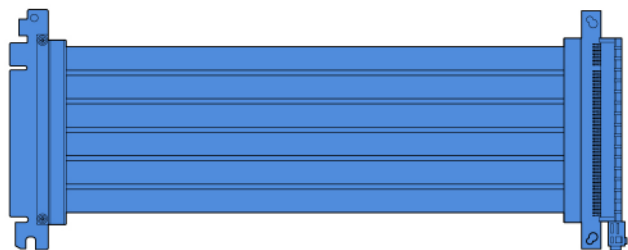
ATX/Micro-ATX模式

# Prepare ATX / MATX Mode Component Specification

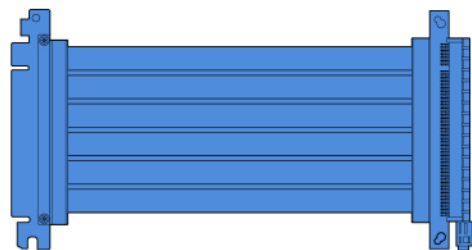
ATX/MATX模式组件规格 /

\*Prepare in 3 slot mode

1.

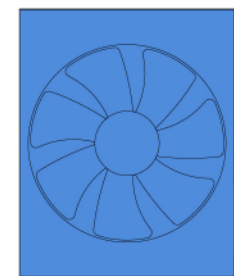


ATX  
250 mm



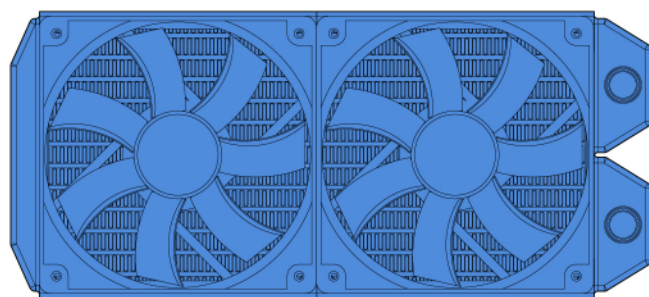
Micro-ATX  
150 mm

2.



SFX PSU

3.

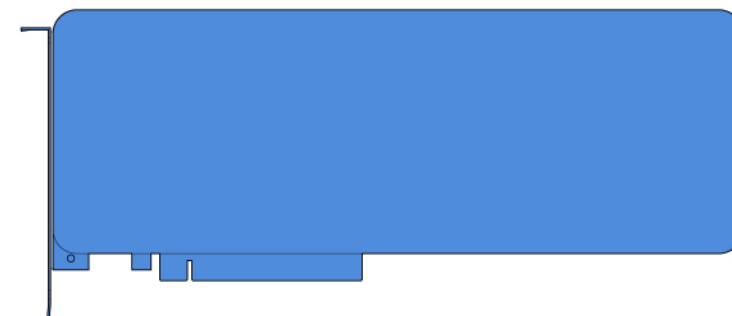


240 AIO

25.25mm max

Width 120 mm/Height 53 mm (include screw head)

4.



GPU

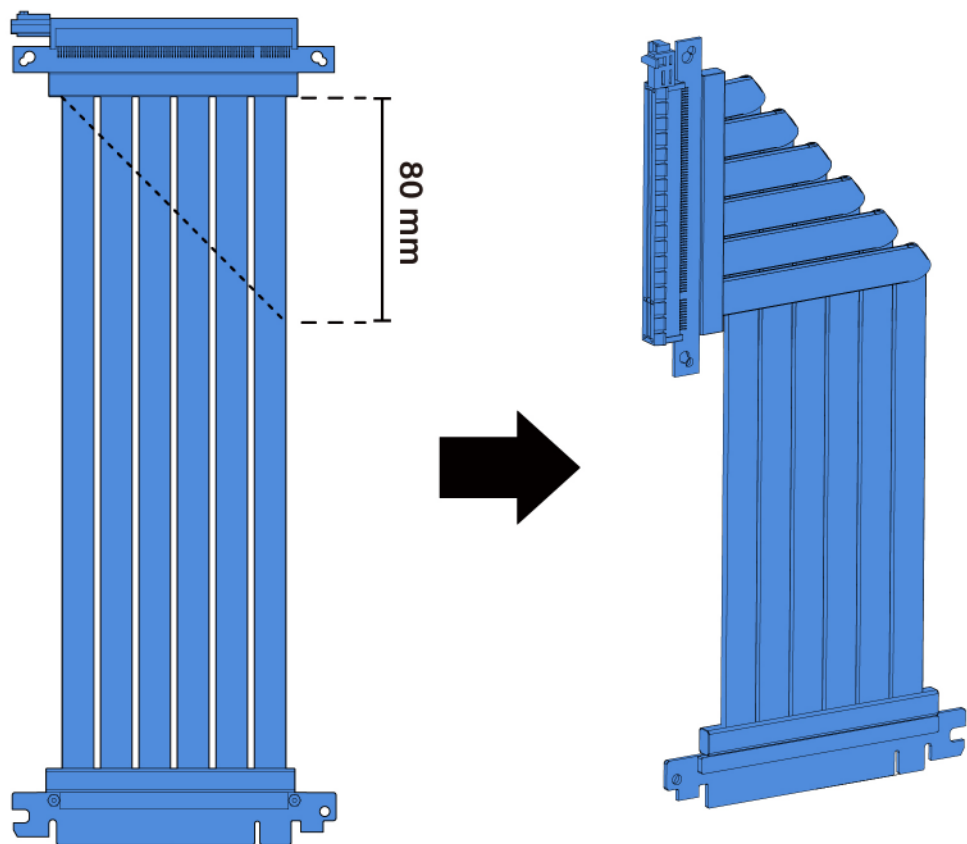
Length 330mm \* Width 124.7 mm \* Height 58 mm



# Folding PCIe Riser Cable

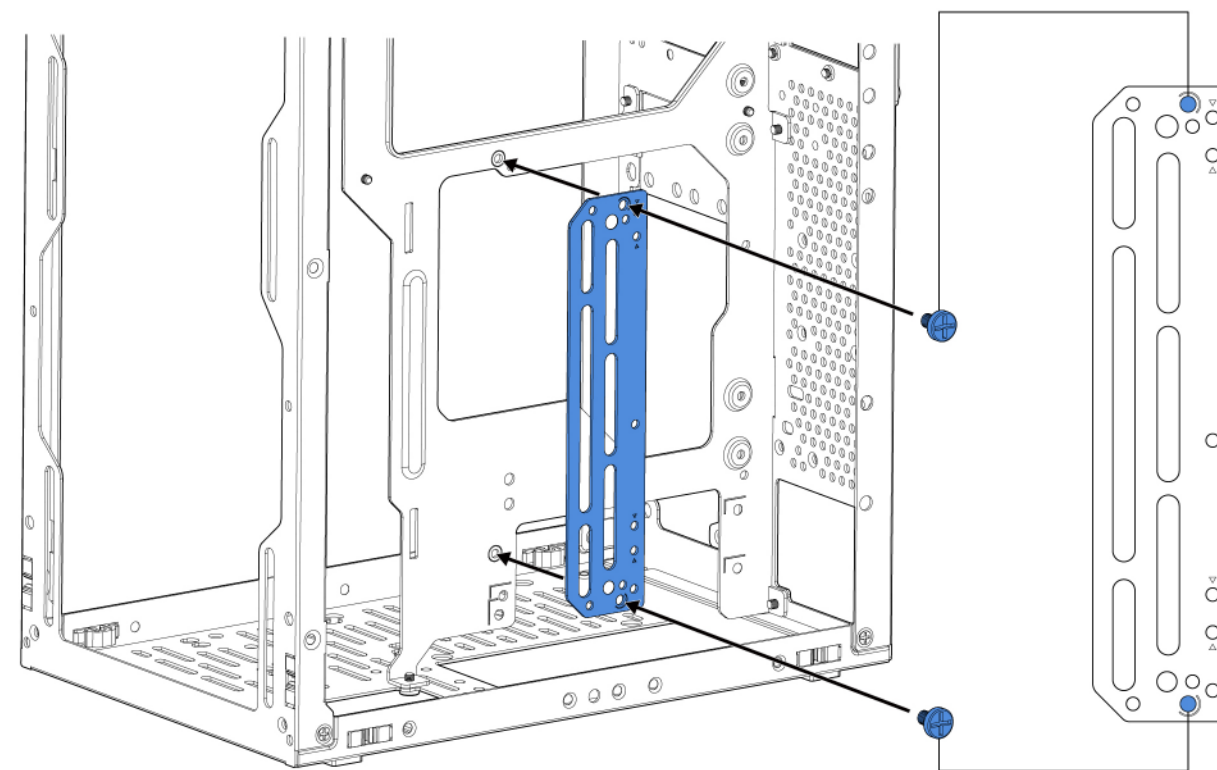
弯折显卡排线 /

Measure 80mm and fold in 45 degree from female head connector  
确认80mm后将母头端折45度



# Install Multifunction Bracket

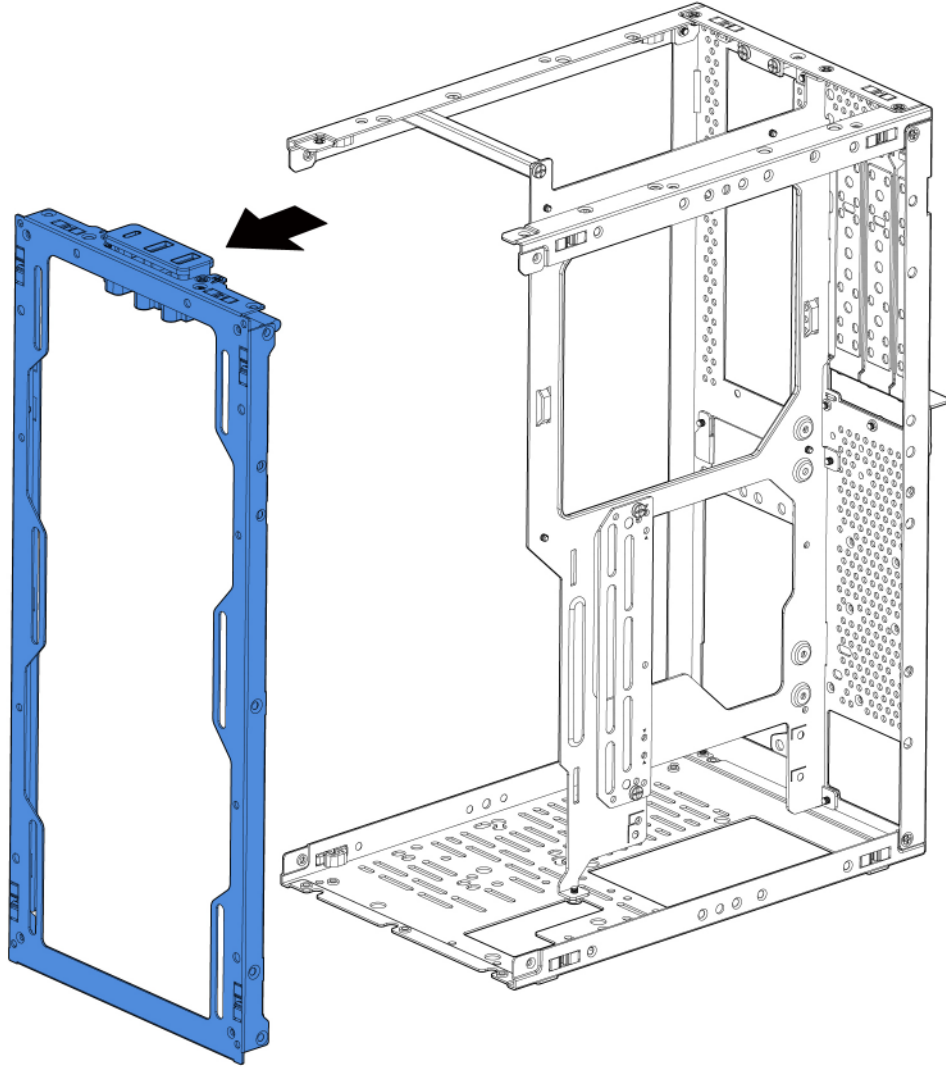
安装多功能支架 /



ATX Mode

# Remove Front Panel

拆除前板 /

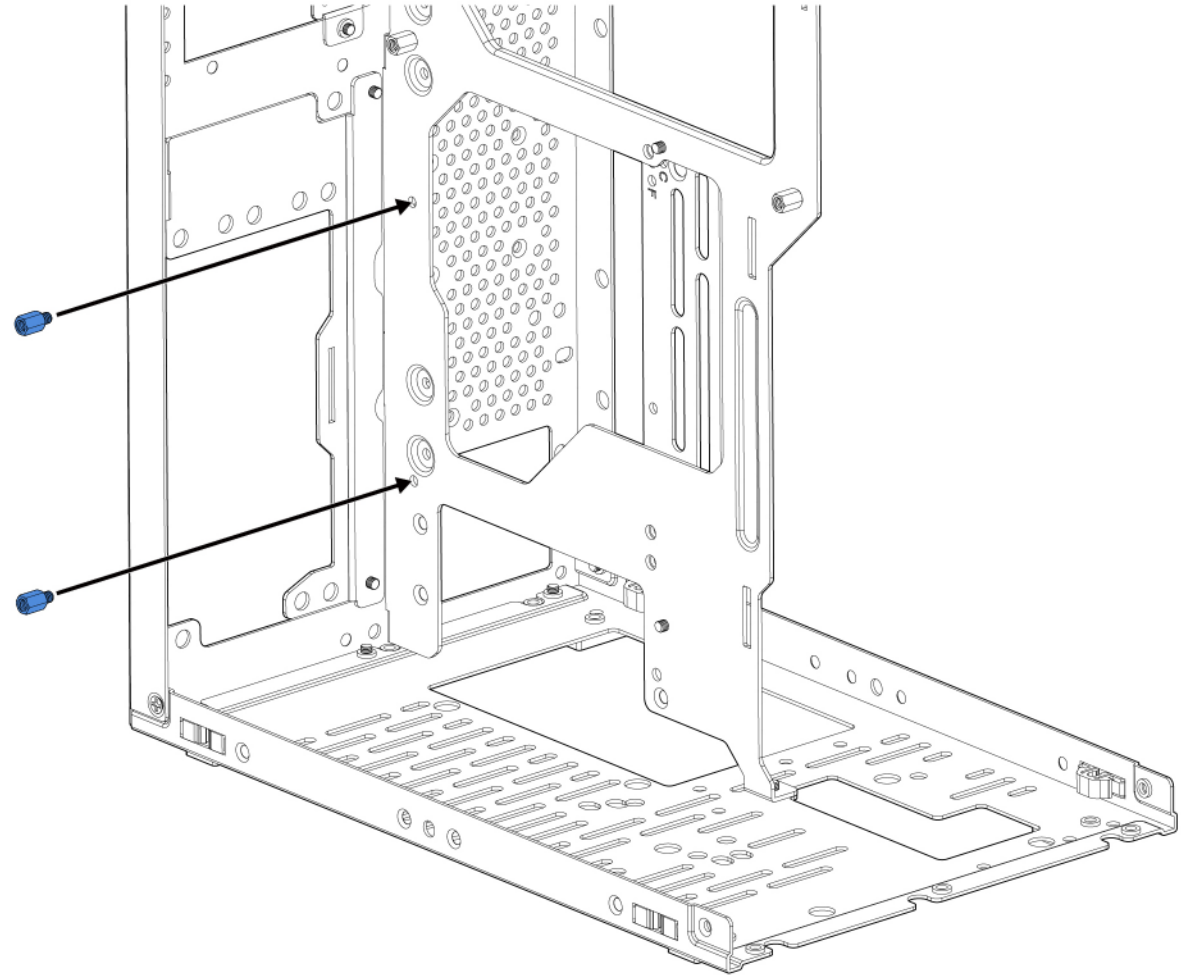


# Install Standoff

锁上固定柱 /



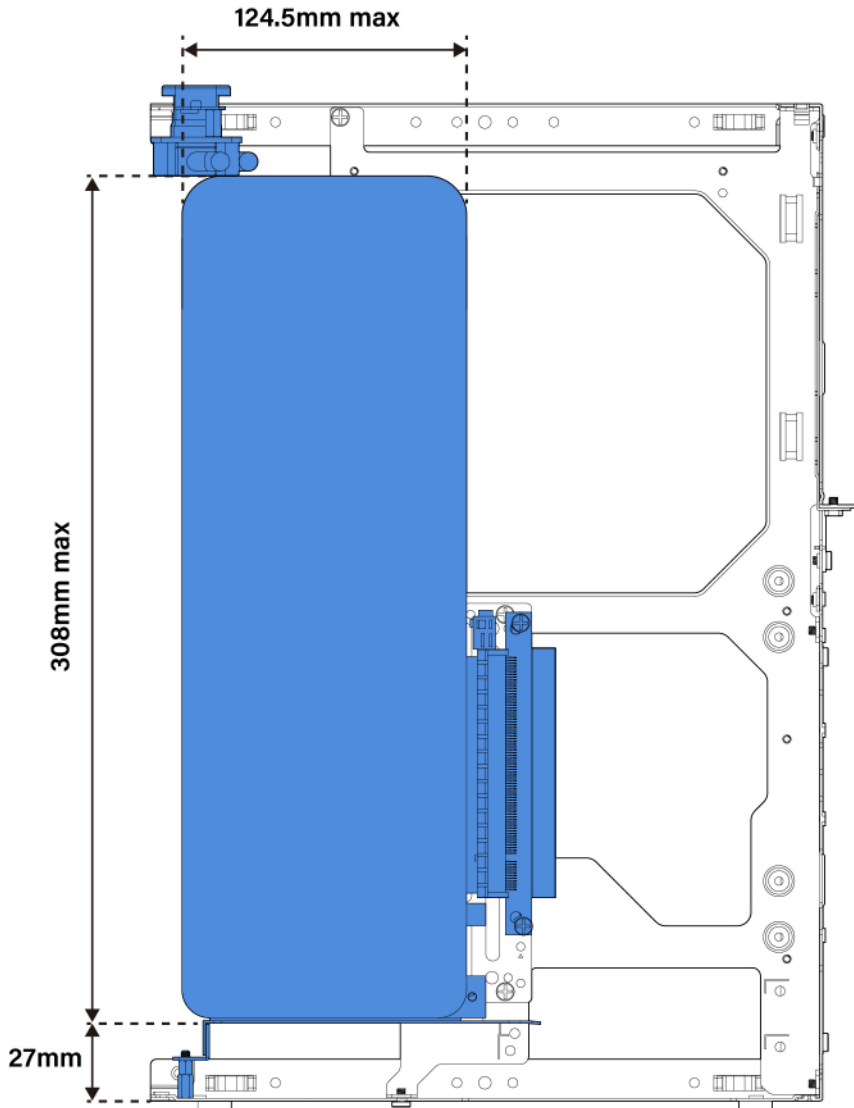
#6-32 Black (6.5 mm)  
x 2



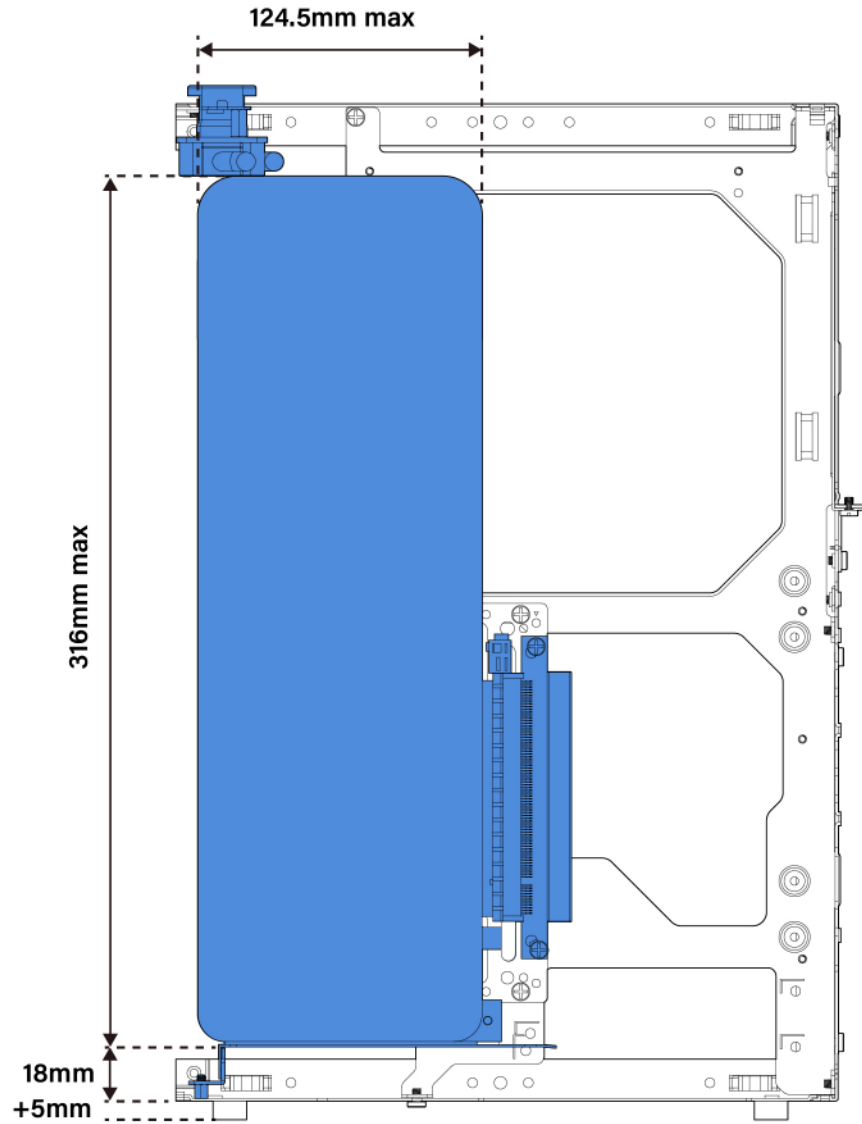
# Graphics Card limitation

显示卡尺寸限制 /

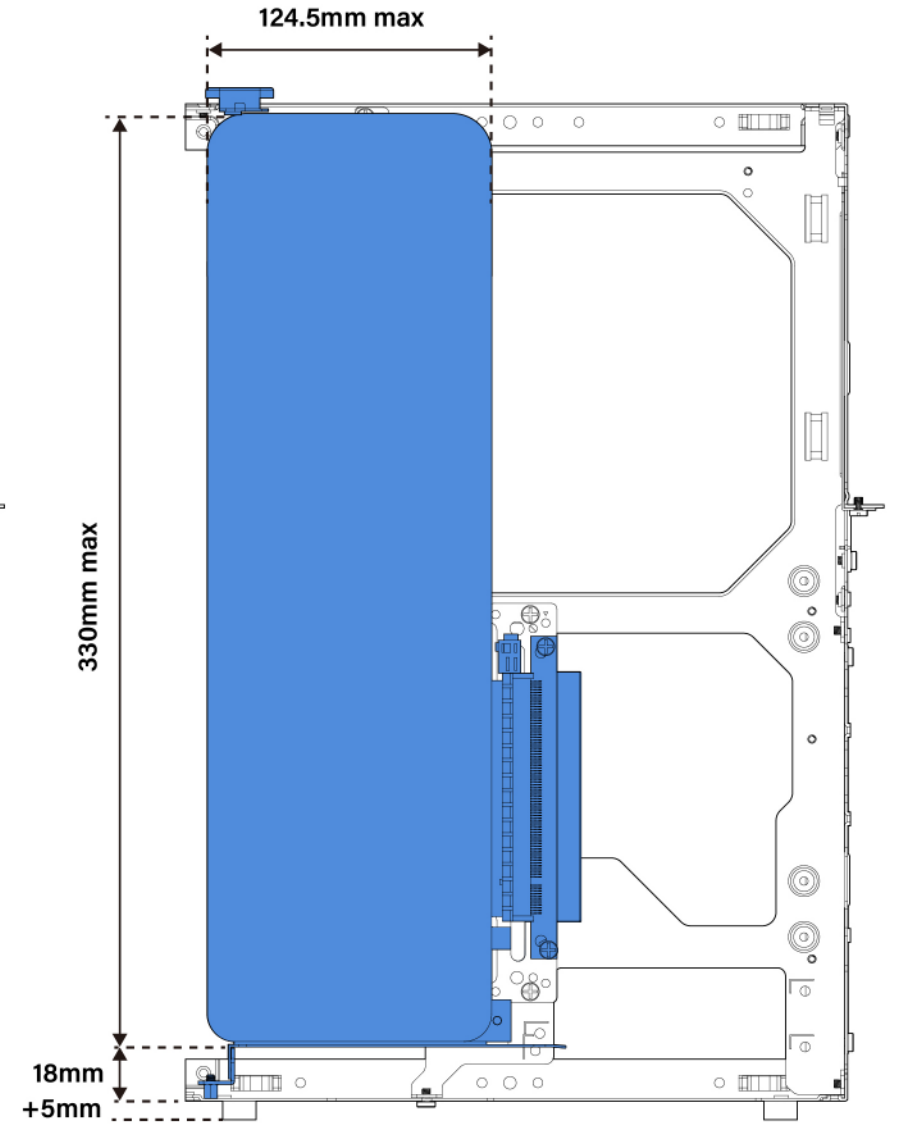
\*Use Upward Angled DP/HDMI connector



High Spot



Low Spot



Low Spot (Without I/O)

\*Add on 5mm feet can support 23mm Upward Angled Displayport

# Adjustable Graphics Card Height

调整显卡高度 /



#6-32 Black (5 mm)  
x 4



#6-32 Black (8.5 mm)  
x 2



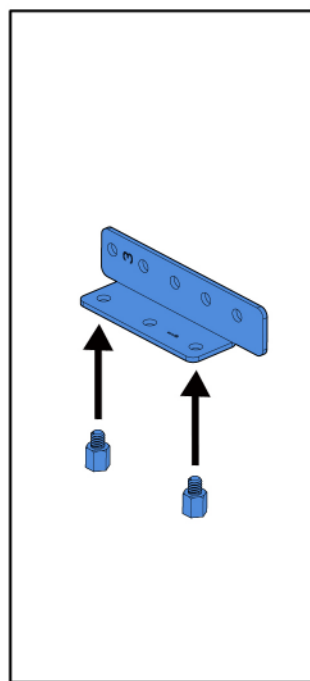
#6-32  
x 4



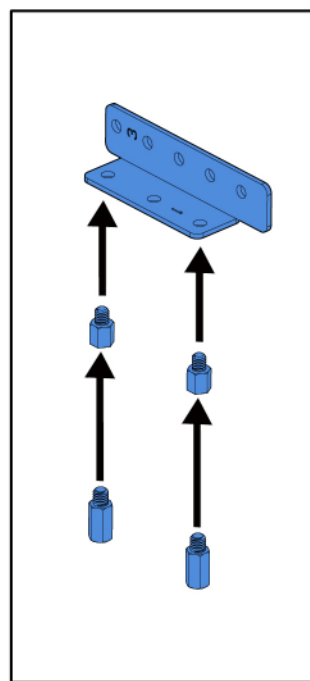
x 1

Adjust GPU mounting strut and PCIe riser cable position to fit in with the GPU length

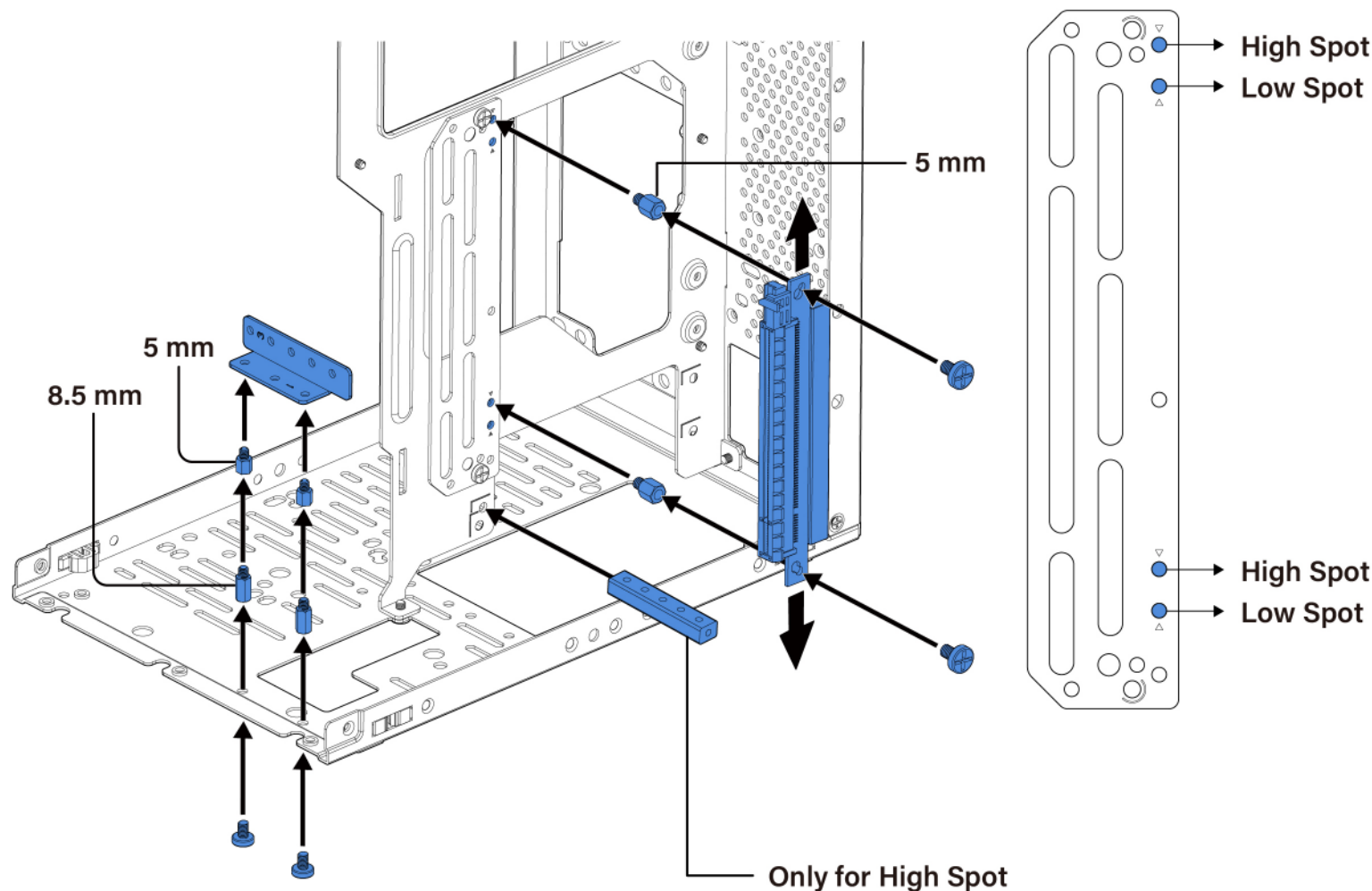
调整显卡支架和显卡排线配合显卡高度



Low Spot  
5 mm



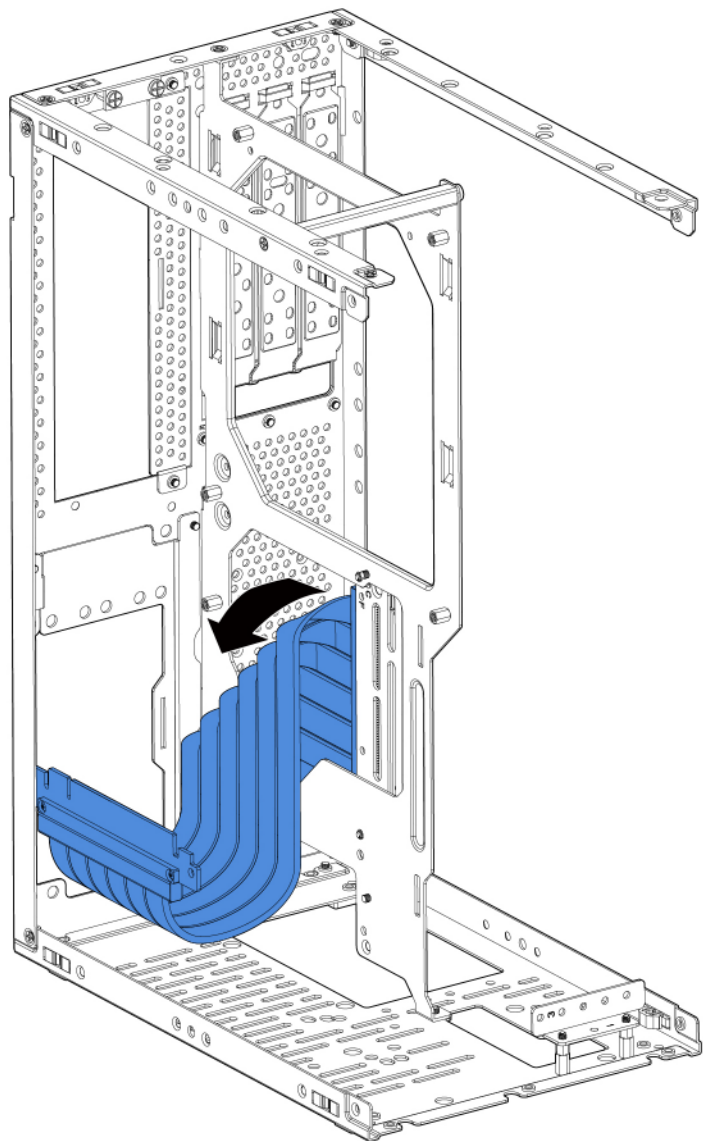
High Spot  
5 + 8.5 mm



ATX Mode

# PCIe Cable Pass through Mobo Tray

显卡排线穿过主板 /

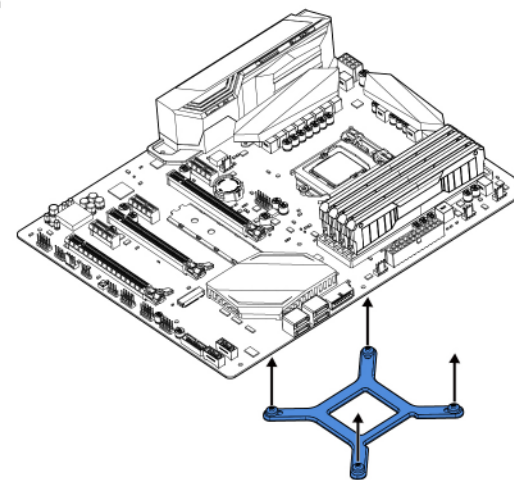


# Install the ATX motherboard

安装主机板 /

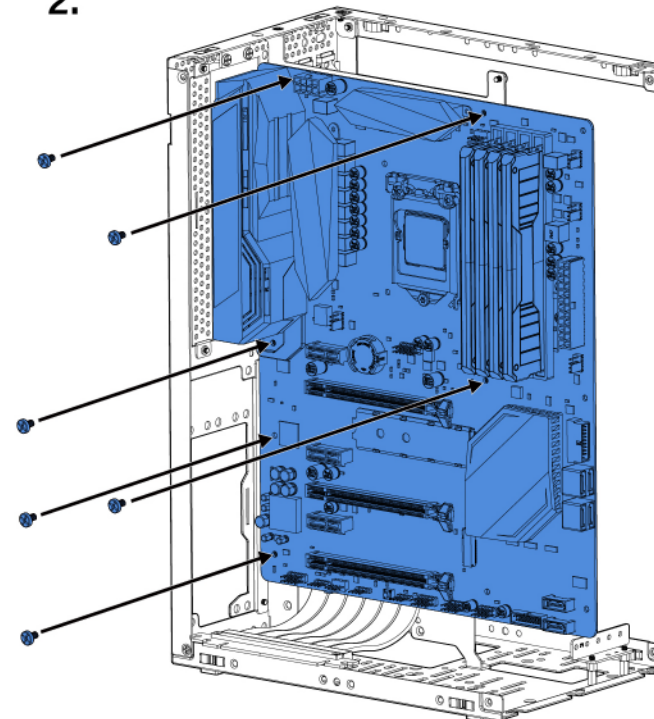


1.



Prepare the motherboard  
准备主机板

2.

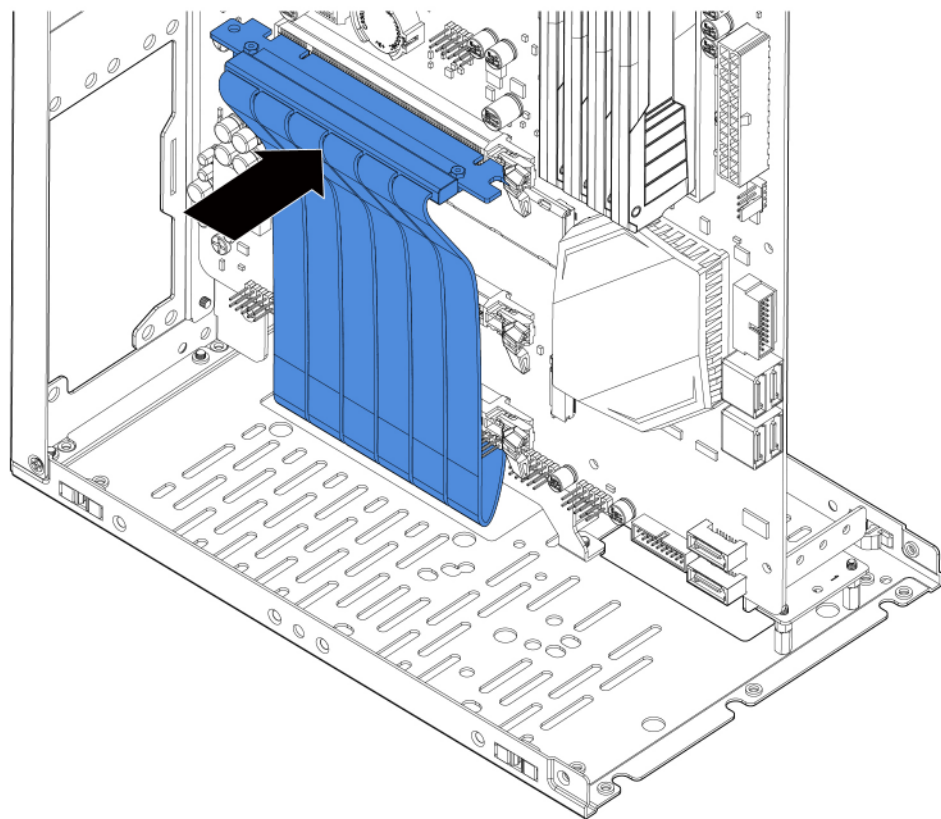




# Insert PCIe Connector

插入显卡排线 /

Insert PCIe riser connector on the motherboard and guarantee it's fully connected  
确认显卡排线完全插入



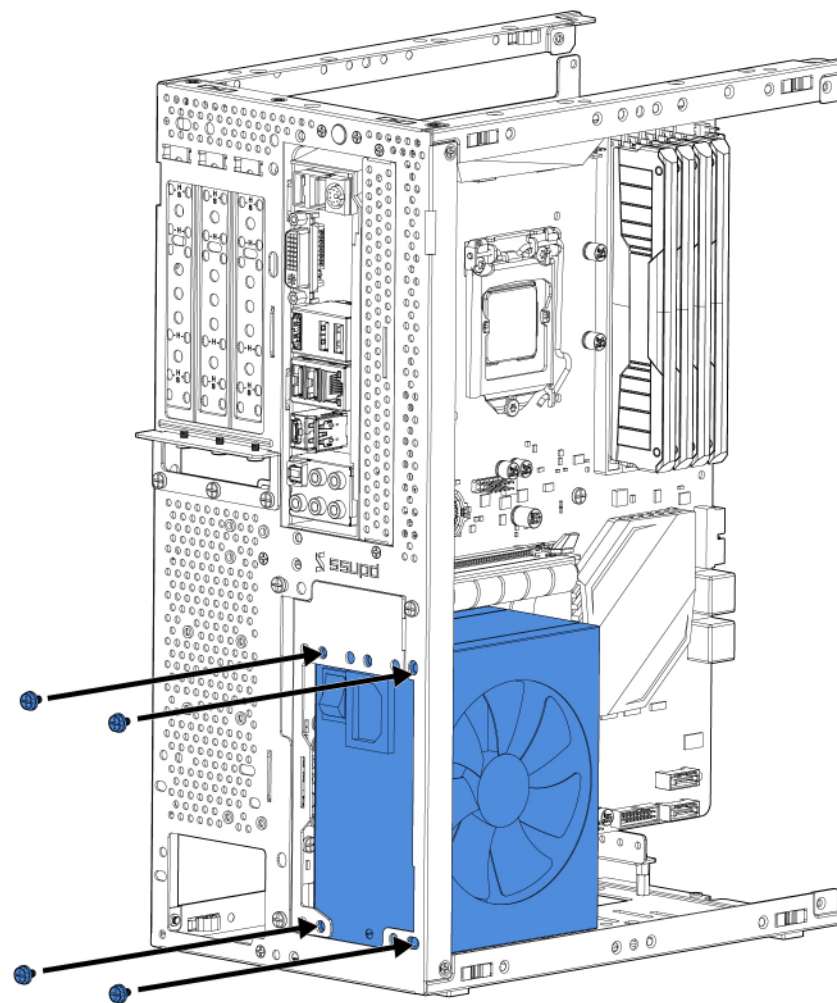
# Install SFX Power Supply

安装小电源 /



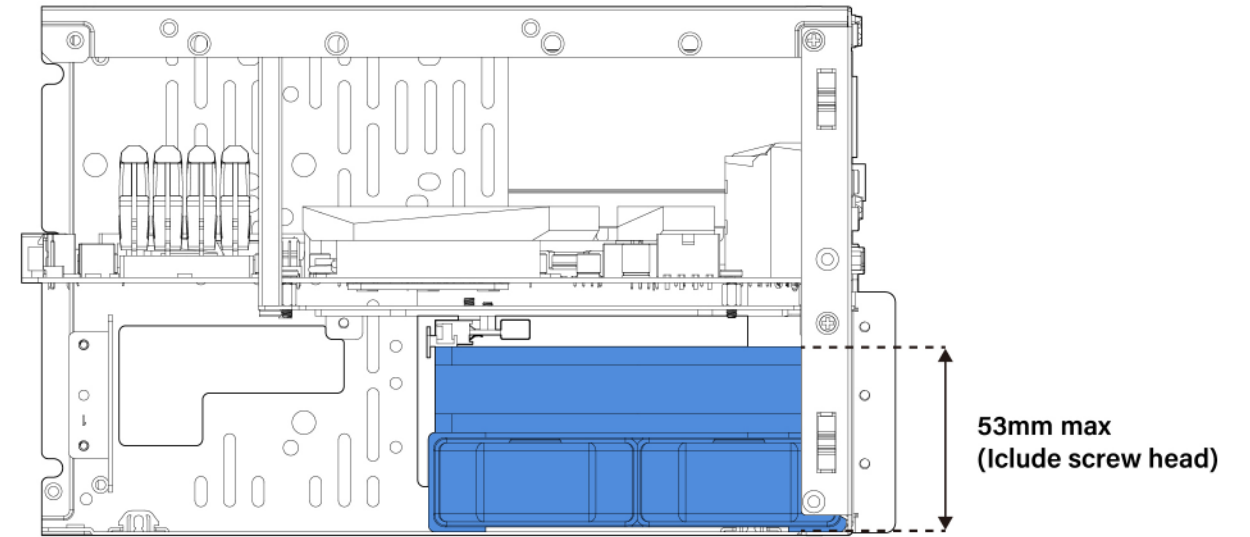
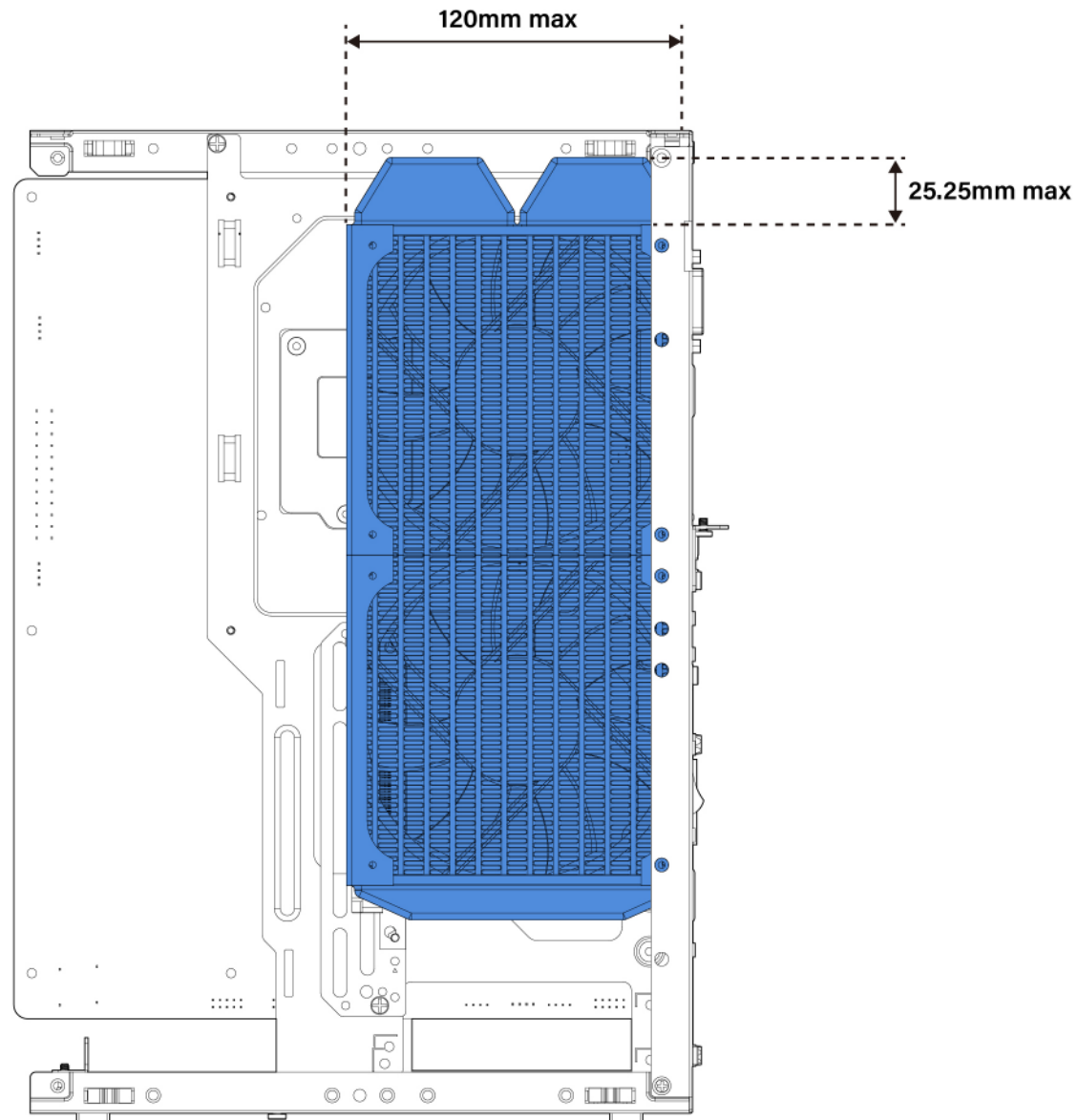
#6-32  
x 4

Screw the SFX power Supply on the rightmost position  
将小电源固定在最右侧



# Radiator Limitation

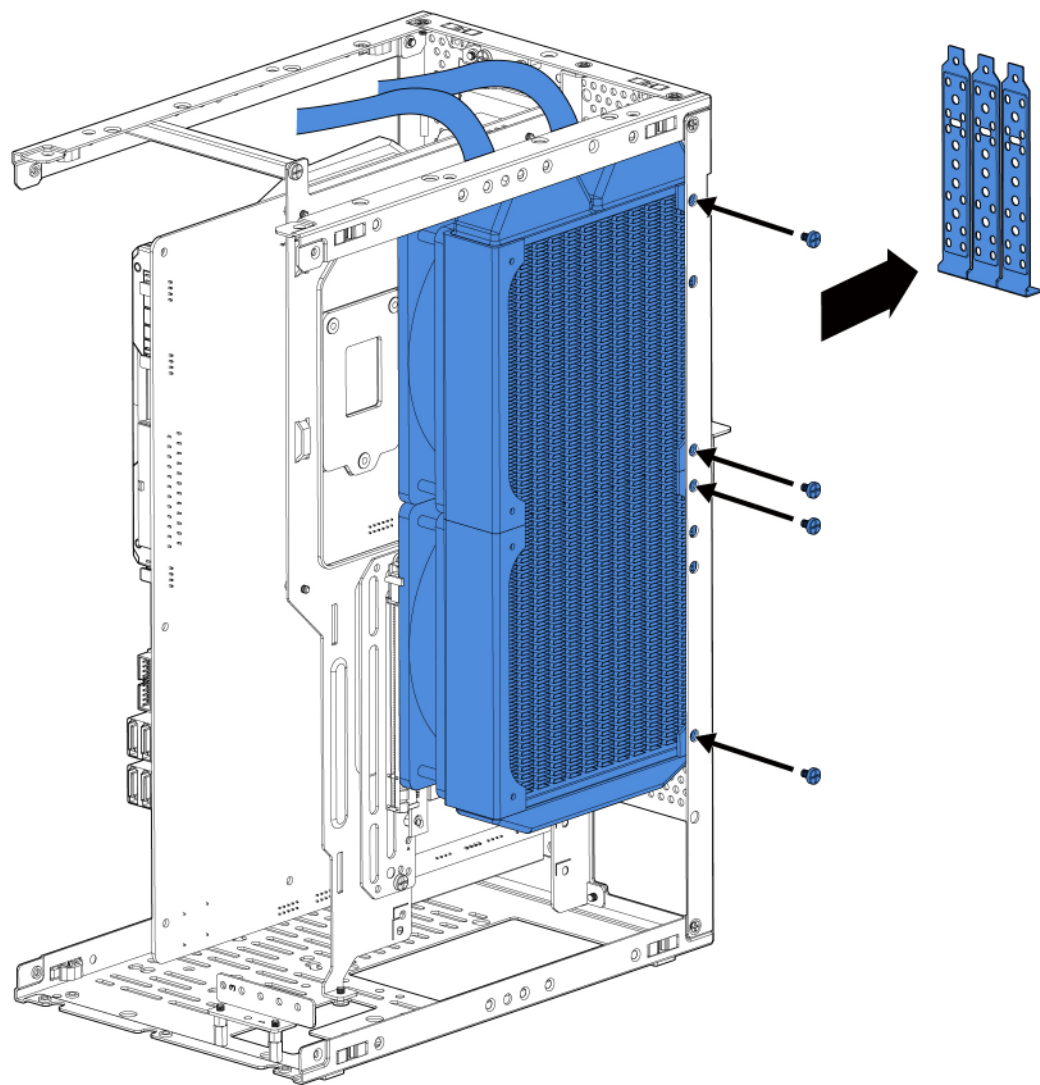
水冷尺寸限制 /



# Install 240mm Radiator

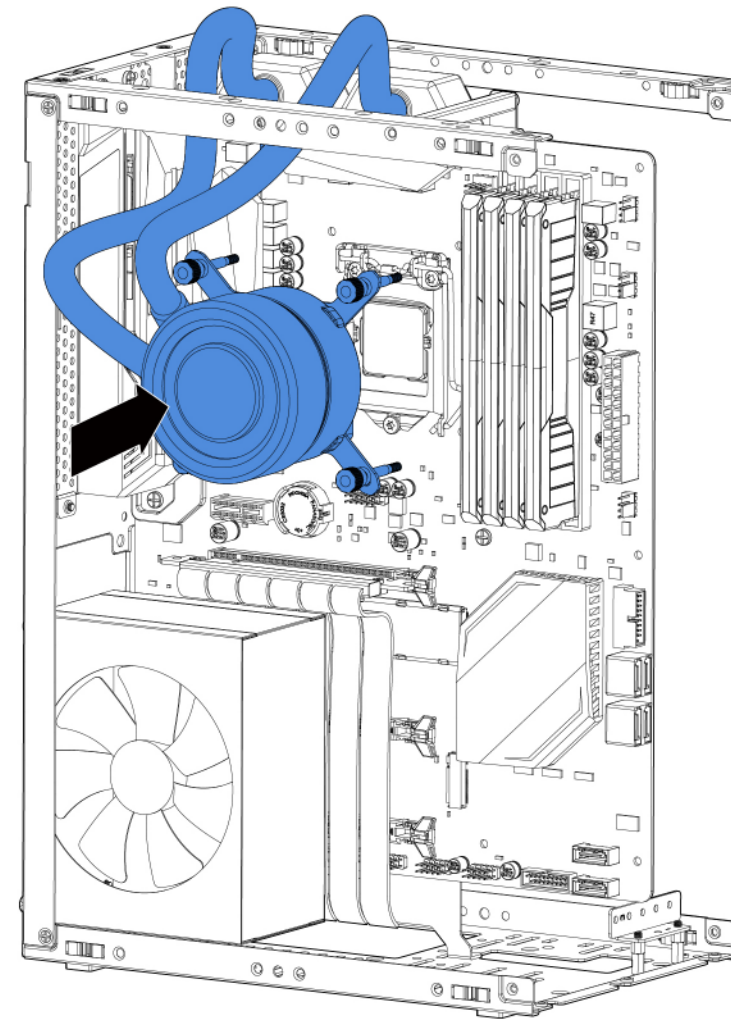
固定240mm水冷 /

\*Remove slot cover



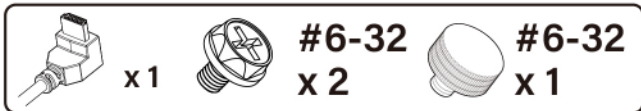
# Install AIO Water Pump

安装水冷头 /

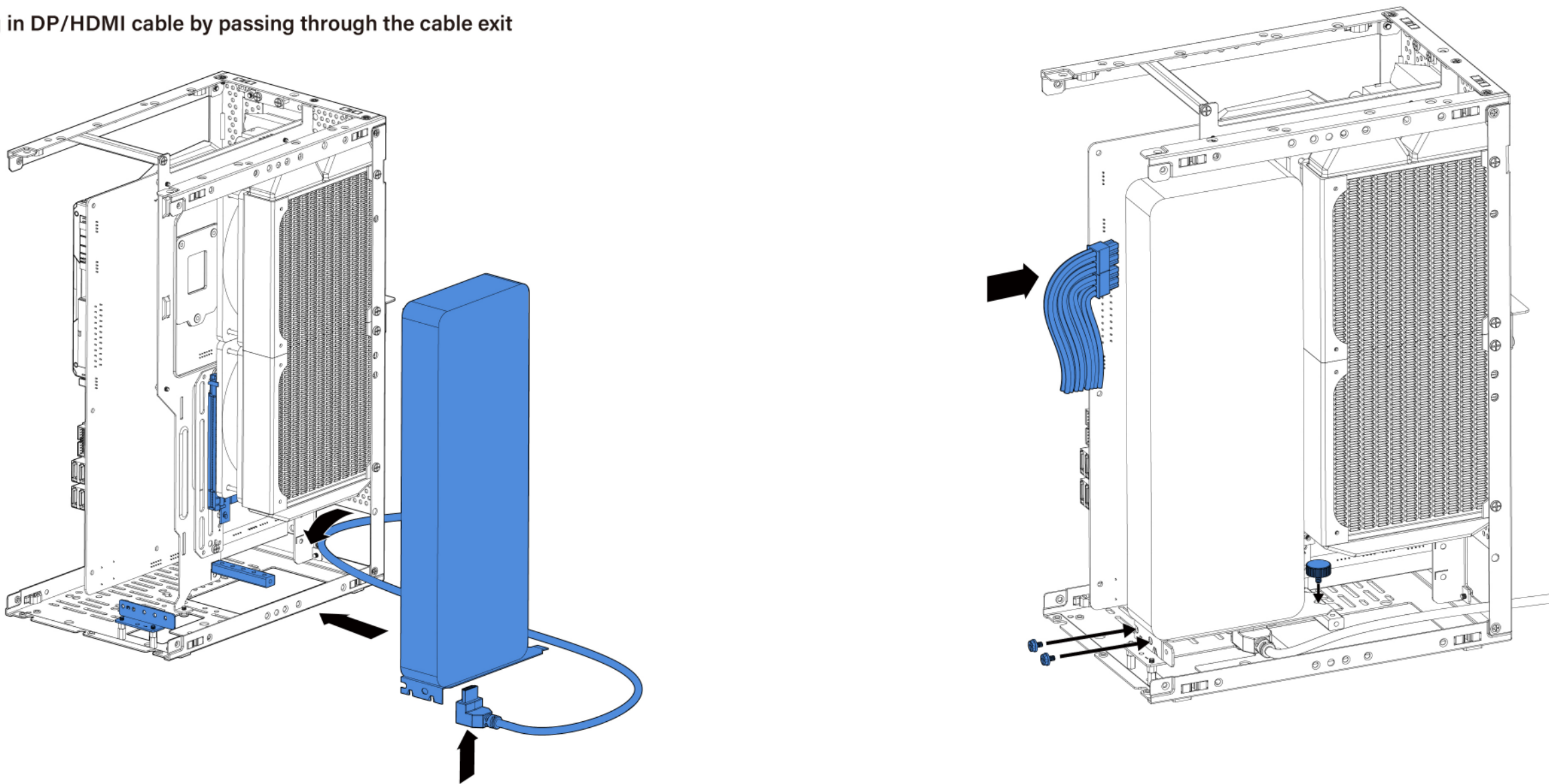


# Install the Graphics card

安装显示卡 /



\*Plug in DP/HDMI cable by passing through the cable exit

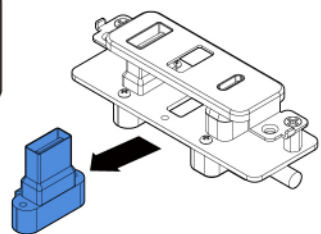




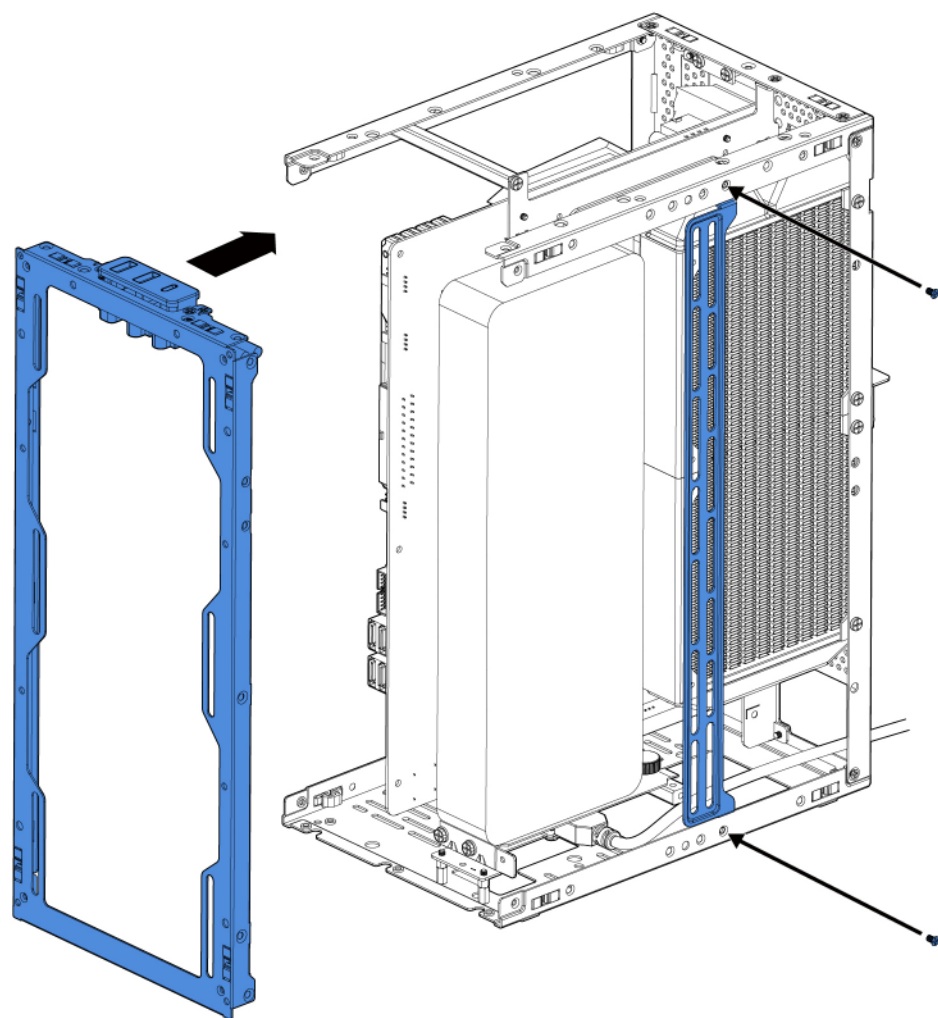
# Install Fan Bracket and Front Panel

组装前板和风扇架 /

#6-32  
x 2



\*Remove the middle port can assemble easier

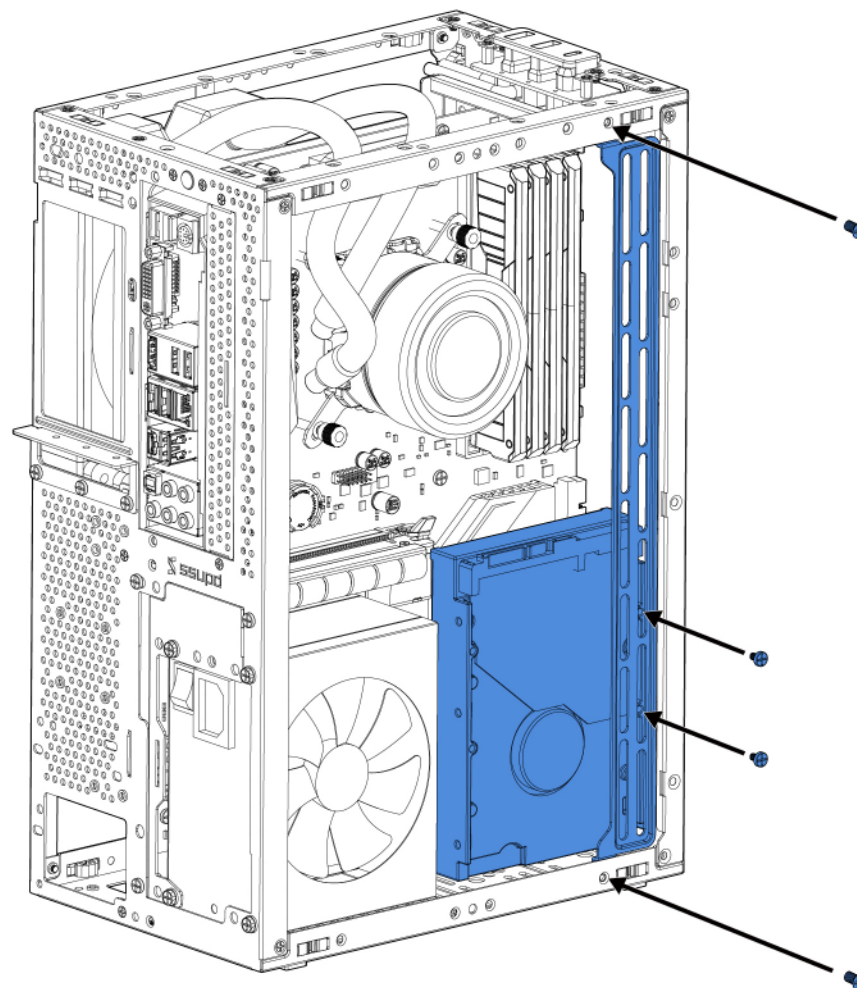


# Install 3.5" Drive

安装3.5"硬盘 /

#6-32  
x 2

#6-32  
x 2





# Micro-ATX Mode

Micro-ATX模式

# Prepare Graphics Card mount

准备显卡支架 /

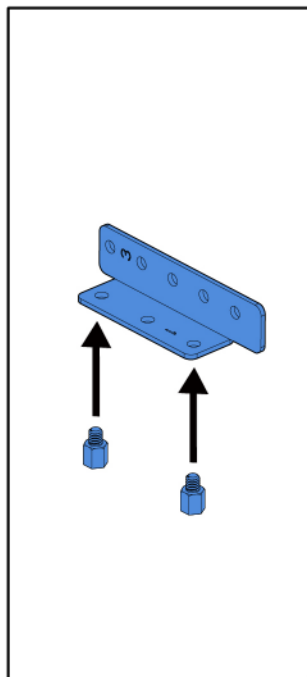


#6-32 Black (5 mm)  
x 4

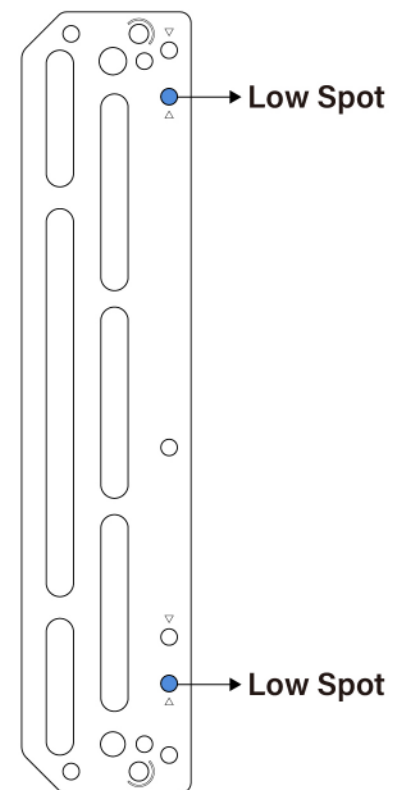
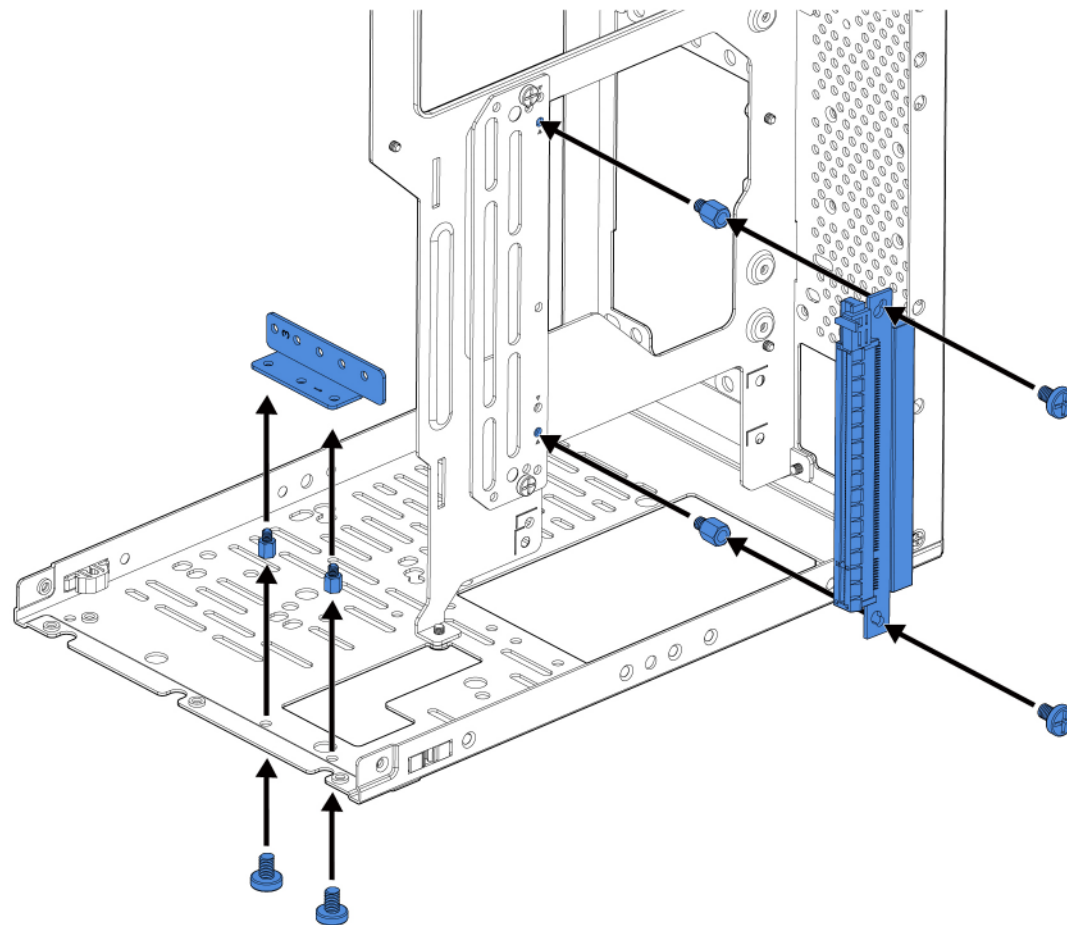


#6-32  
x 4

Screw Graphics card mount and PCIe riser cable on the low spot  
将显卡排线安装在最低点

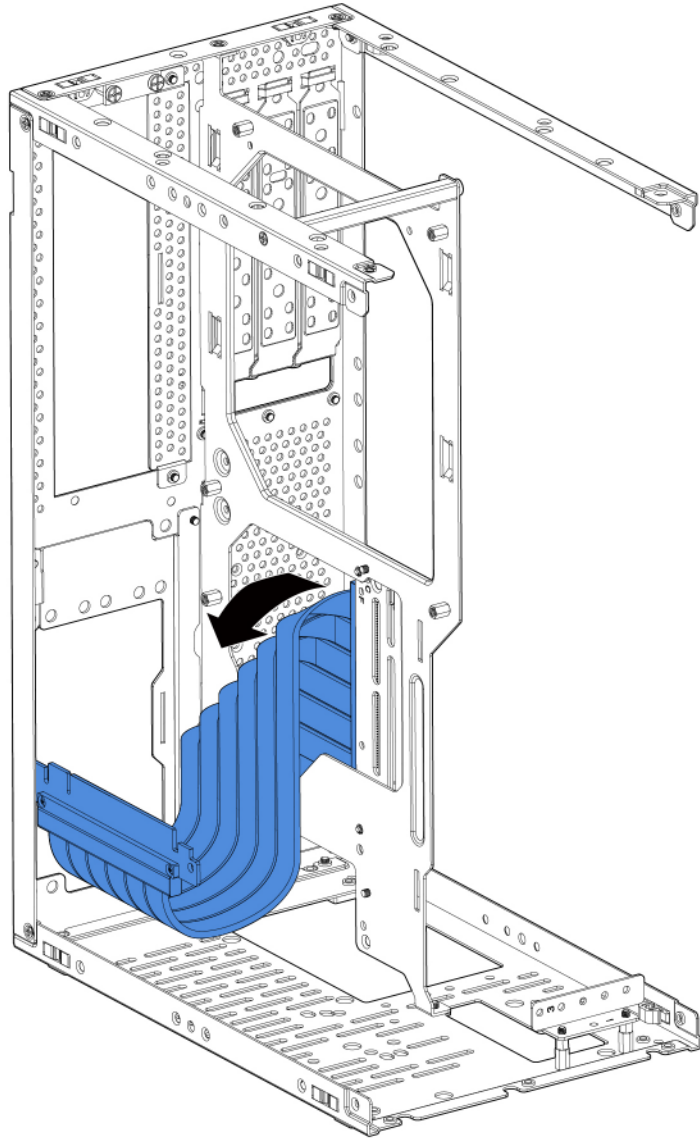


Low Spot  
5 mm



# PCIe Cable Pass through Mobo Tray

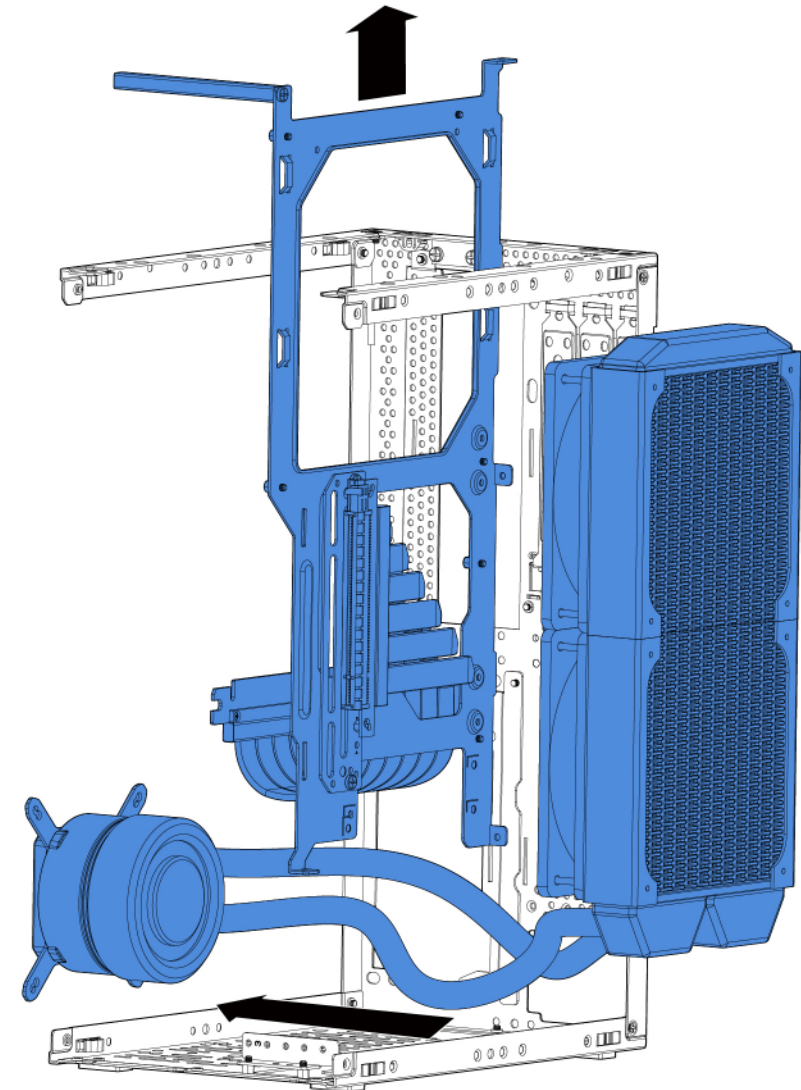
显卡排线穿过主板 /



# Remove Motherboard Tray

拆下主板 /

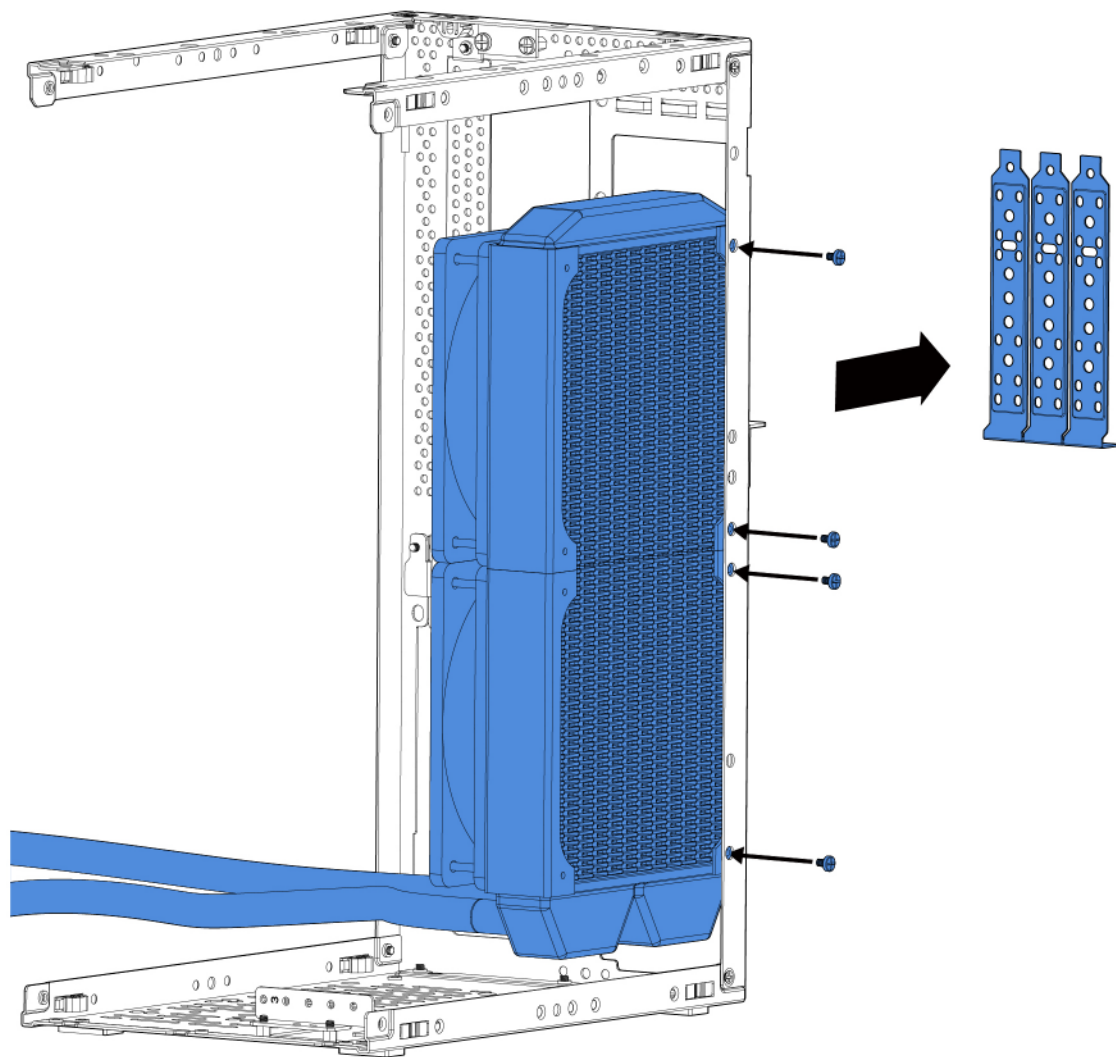
\*Radiator tubing face down and pass through water pump



# Install 240mm Radiator

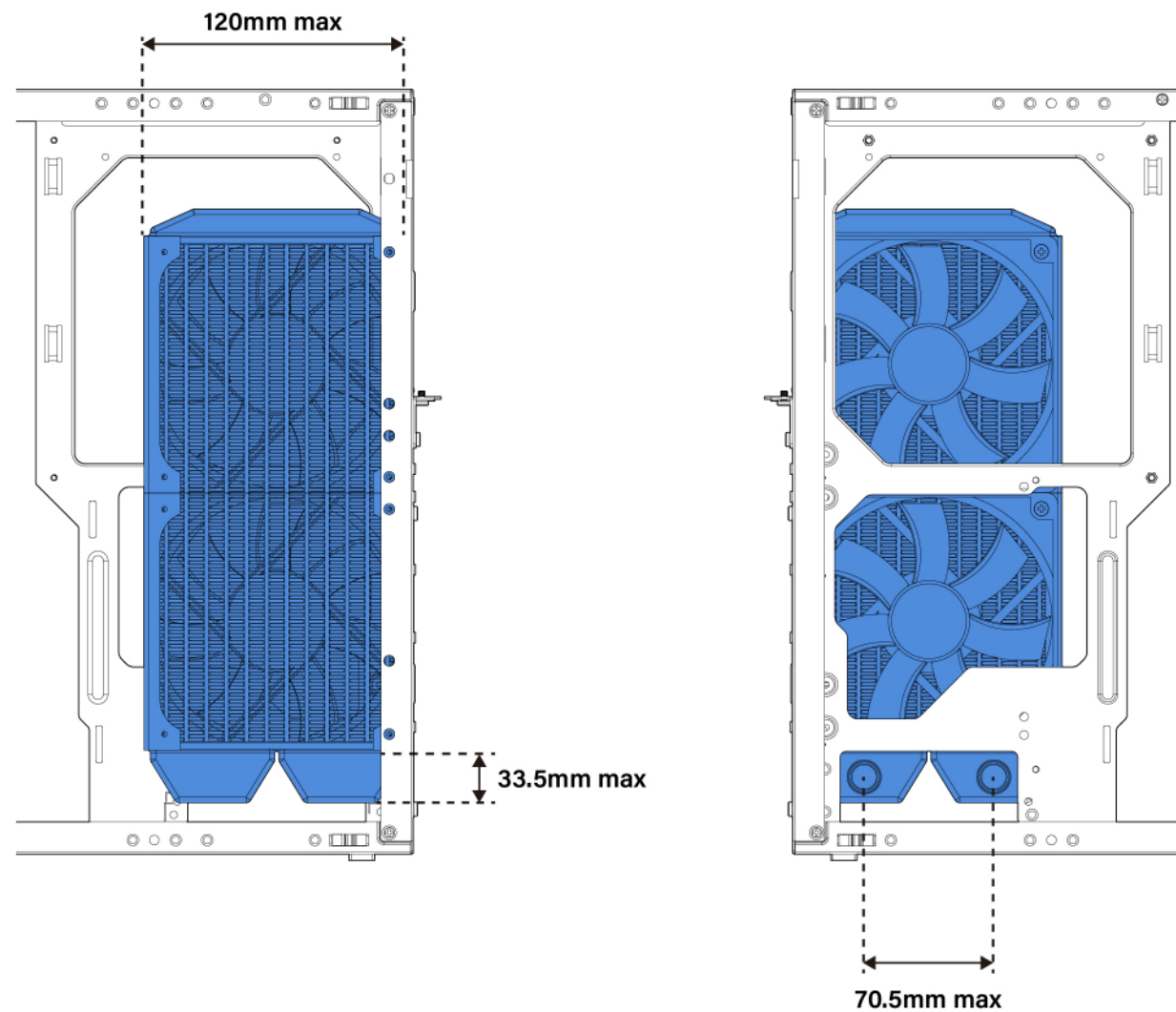
安装240mm水冷 /

\*Remove slot cover



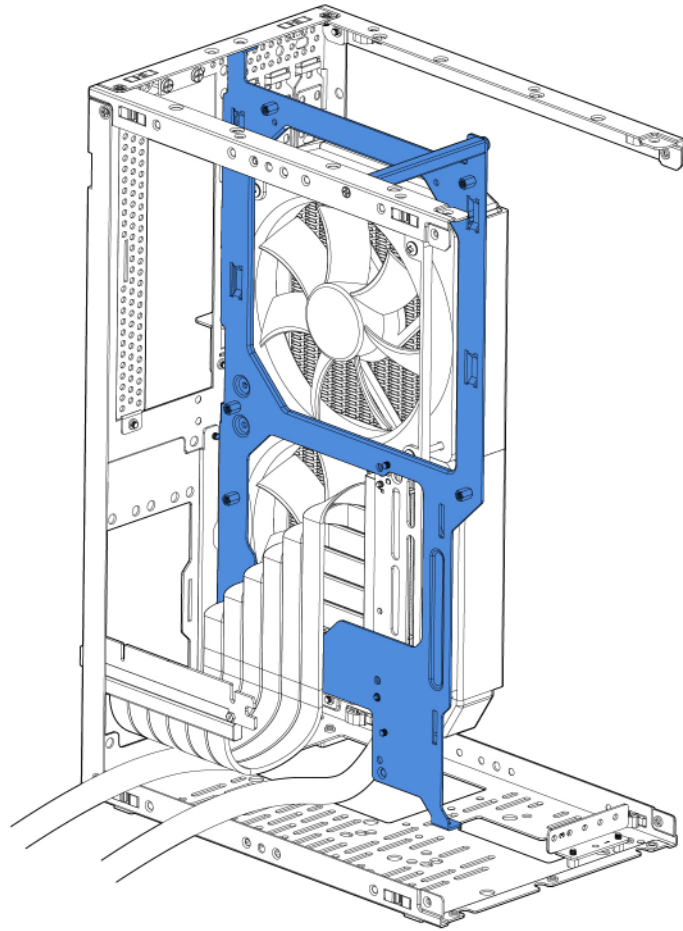
# Down Tubing Radiator Limitation

水冷尺寸限制 /



# Install Motherboard Tray

安装主板 /



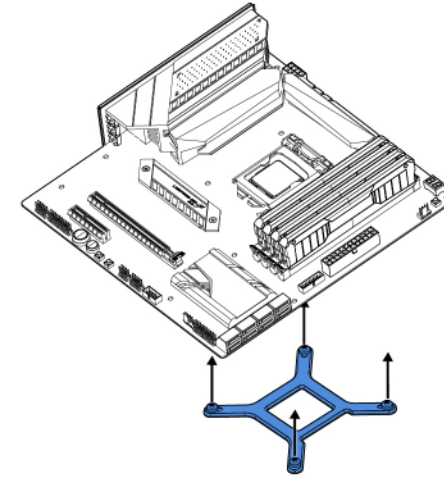
# Install MATX motherboard

安装主机板 /



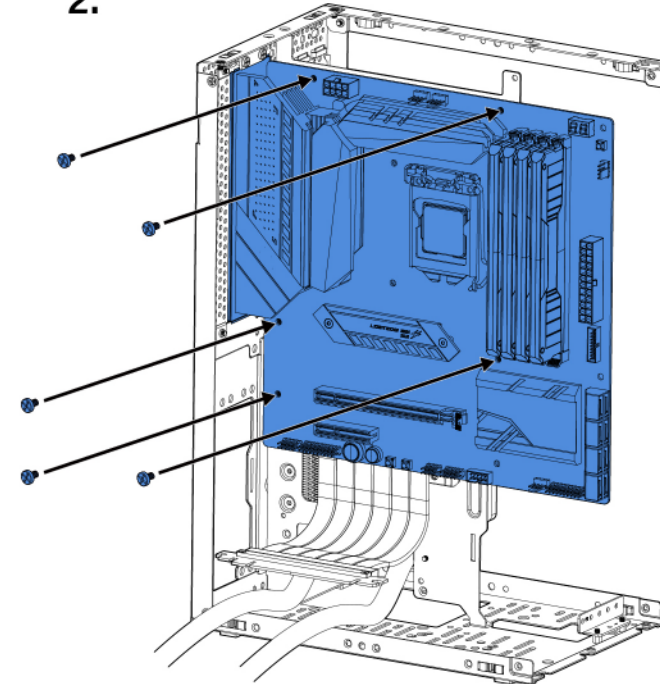
#6-32  
x 6

1.



Prepare the motherboard  
准备主机板

2.

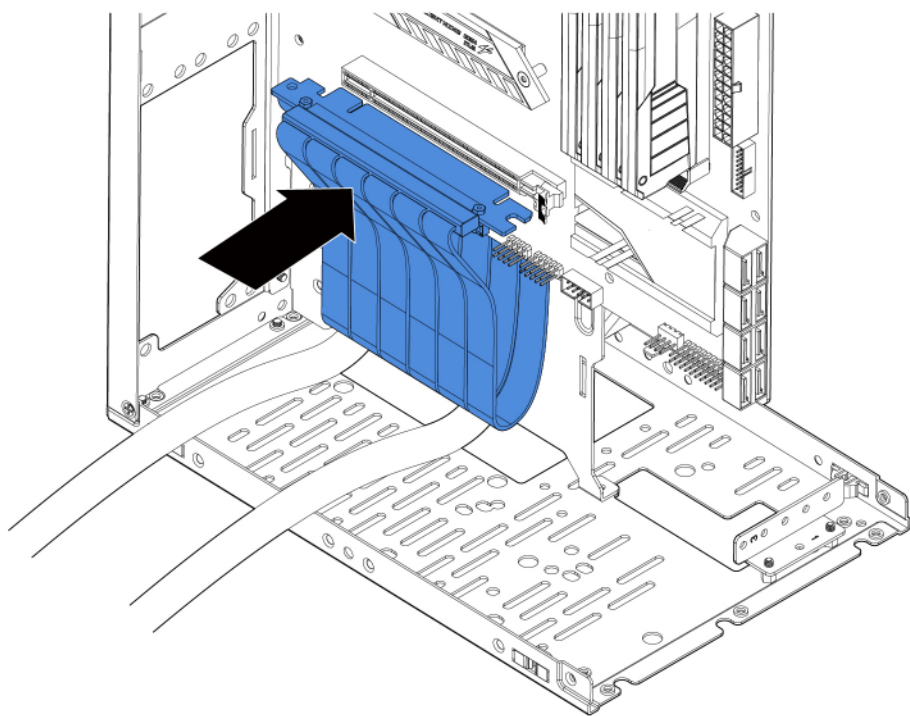




# Insert PCIe Connector

插入显卡排线 /

Insert PCIe riser connector on the motherboard and guarantee it's fully connected  
确认显卡排线完全插入

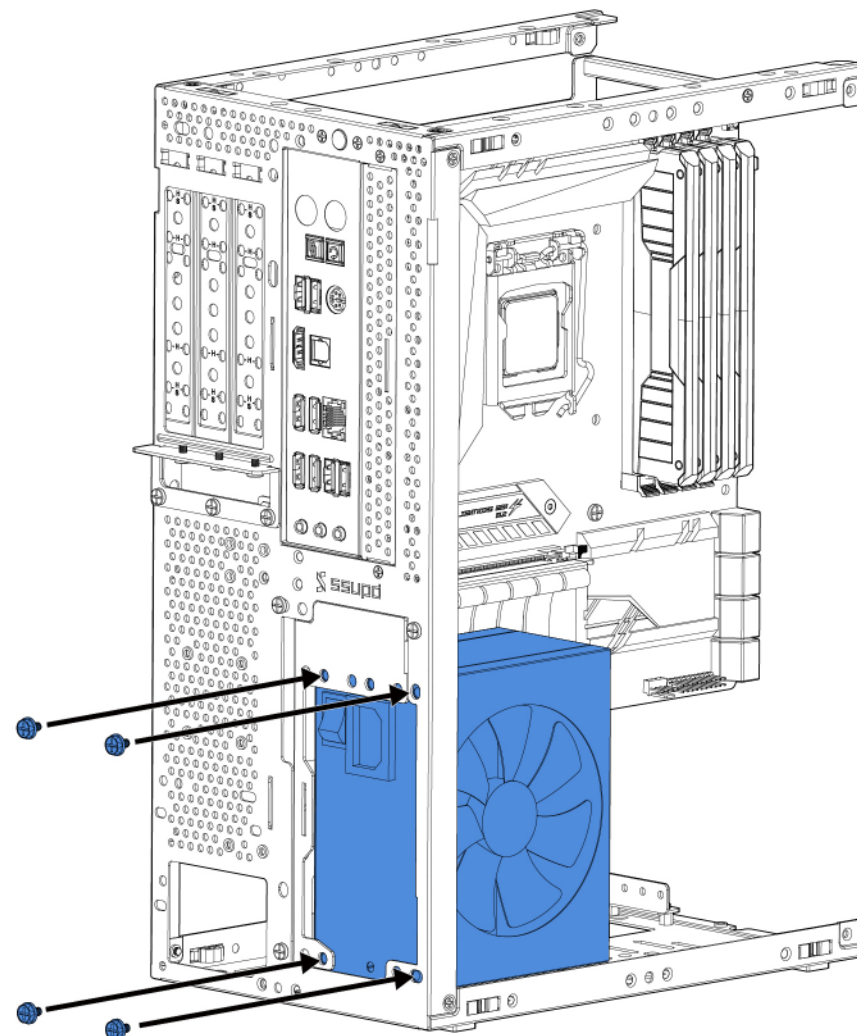


# Install SFX Power Supply

安装小电源 /

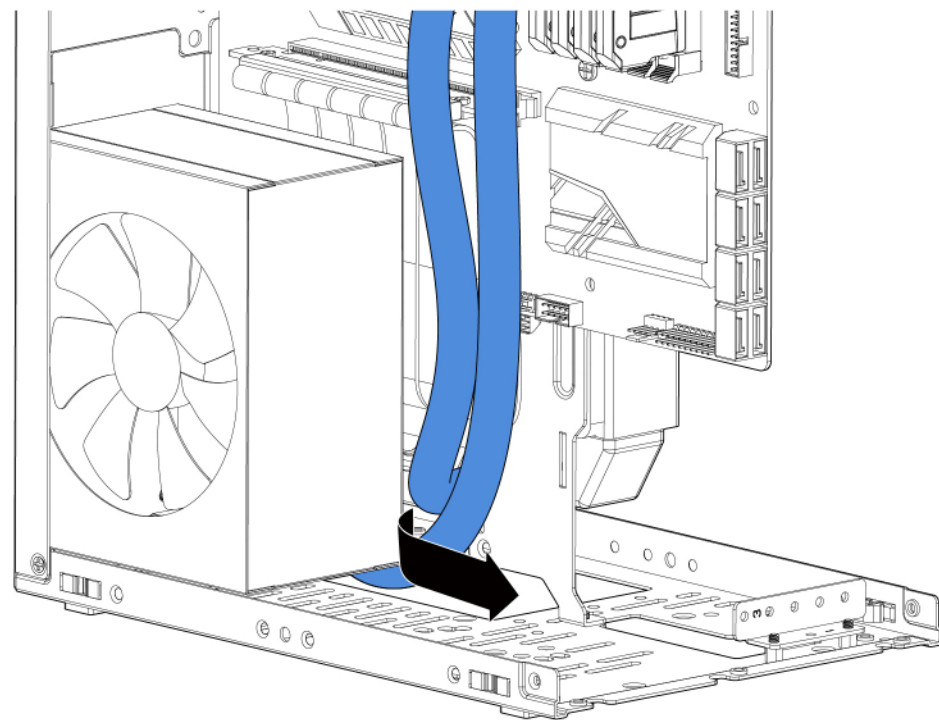


Screw the SFX power Supply on the rightmost position  
将小电源固定在最右侧



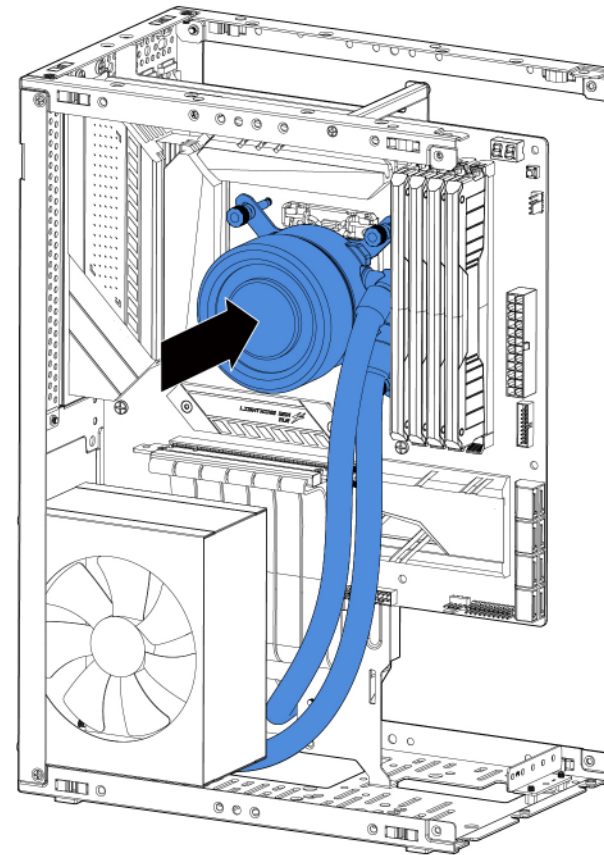
# AIO Tubing Push Forward

水冷管往前移 /



# Install AIO Water Pump

安装水冷头 /

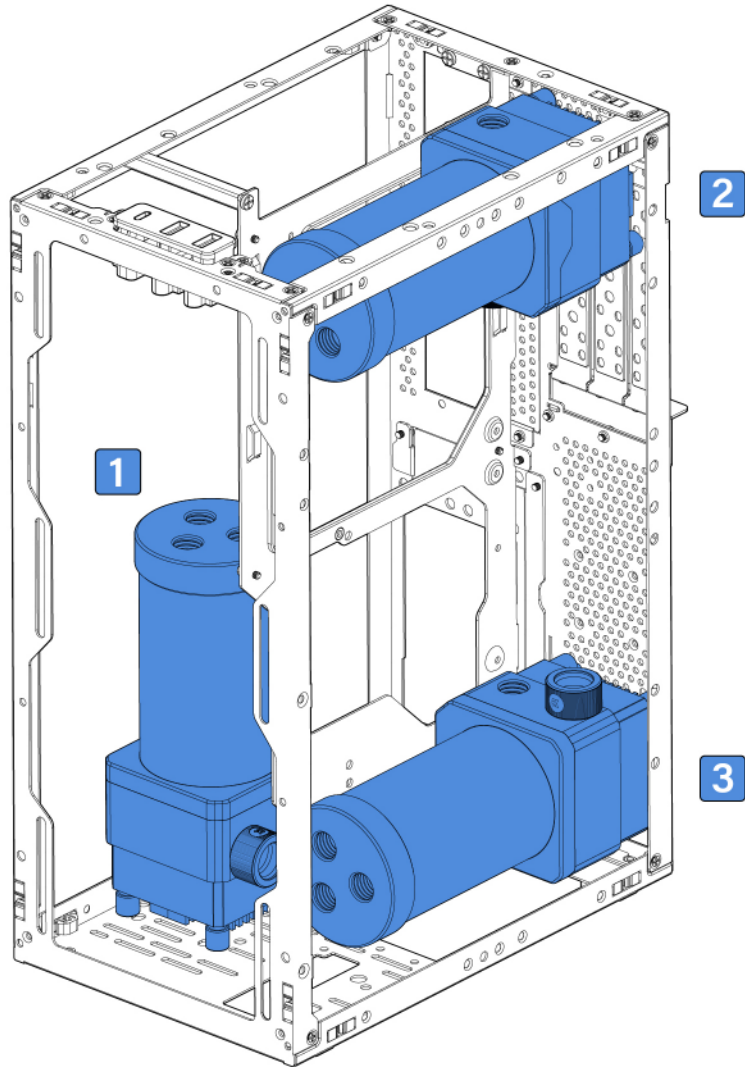


# Dual Radiator Mode

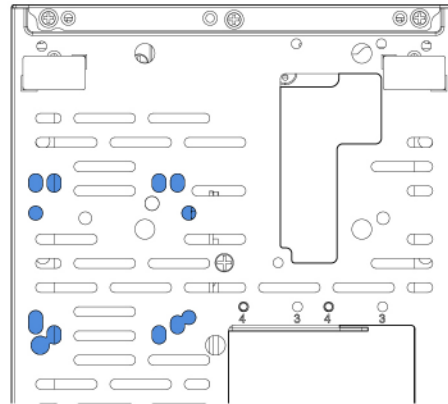
双水冷排模式 /

# Pump Position Optional

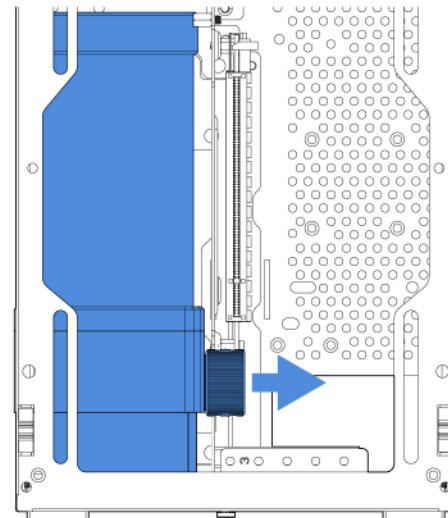
水泵安装位置 /



**1** Position 1  
Dual Radiator

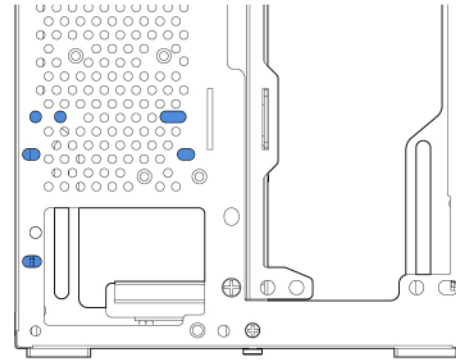


Install Position

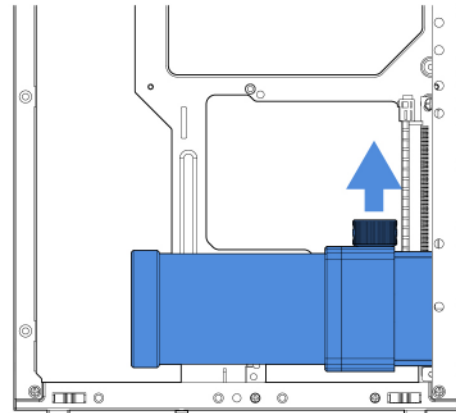


Outlet Direction

**2** Position 2  
SFF GPU Mode  
Single Radiator

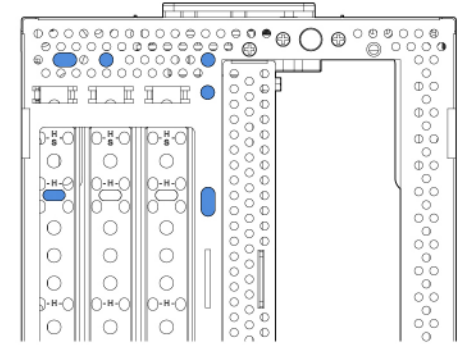


Install Position

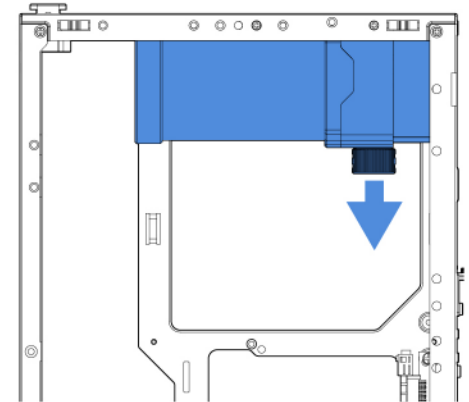


Outlet Direction

**3** Position 3  
Short GPU Block  
(245mm max)  
Single Radiator



Install Position

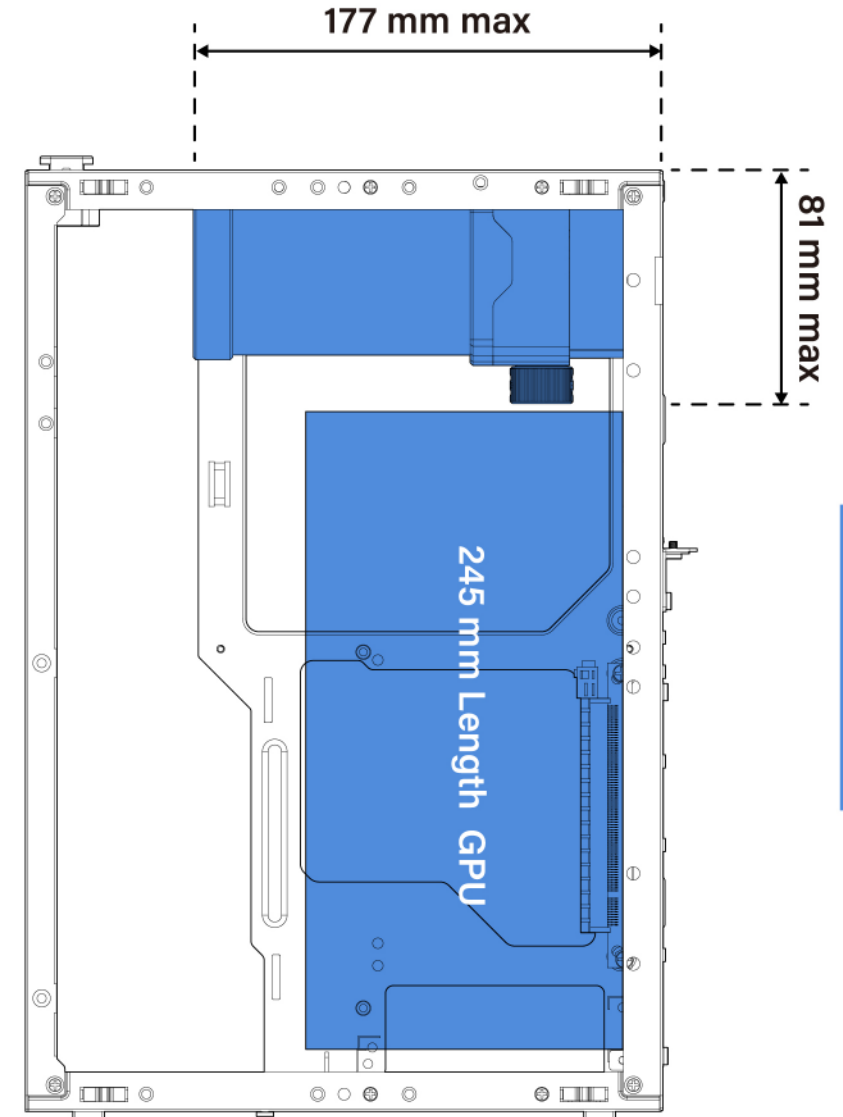
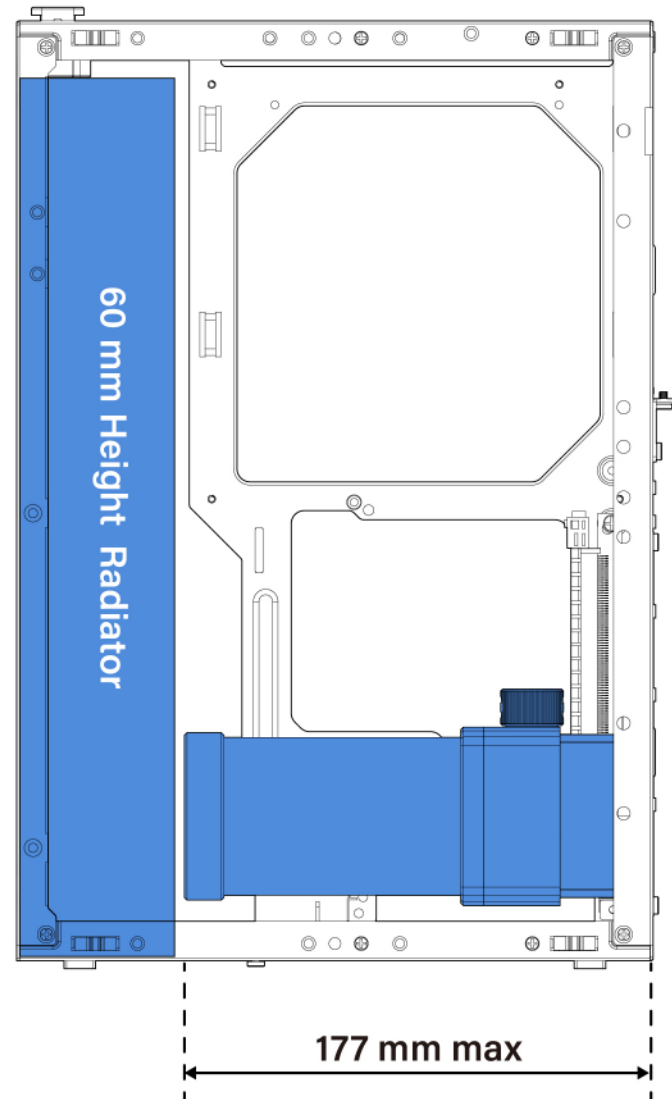
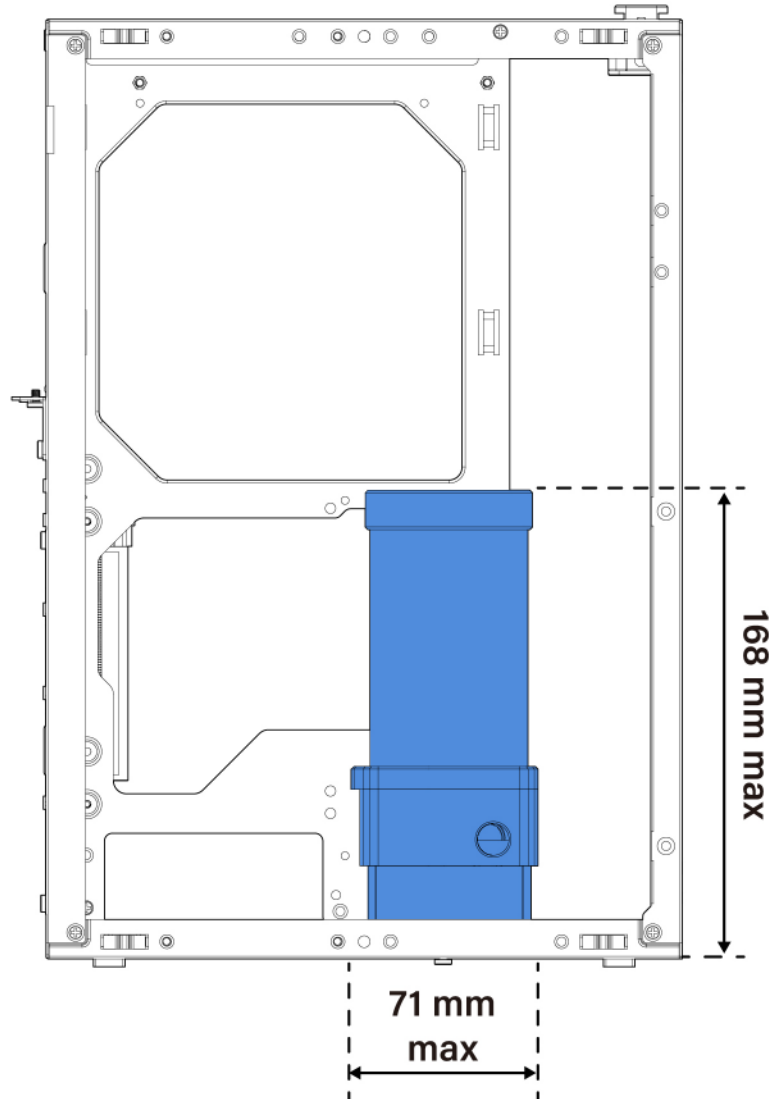


Outlet Direction

# Pump Dimension Limitation

水泵尺寸限制 /

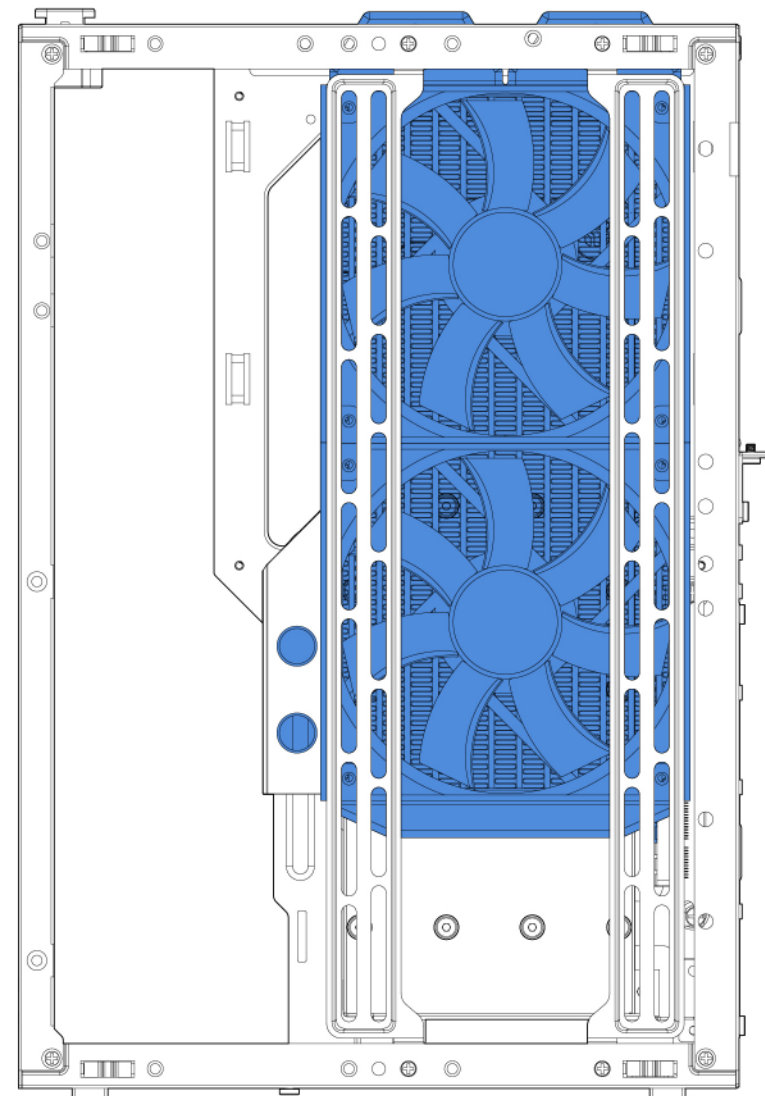
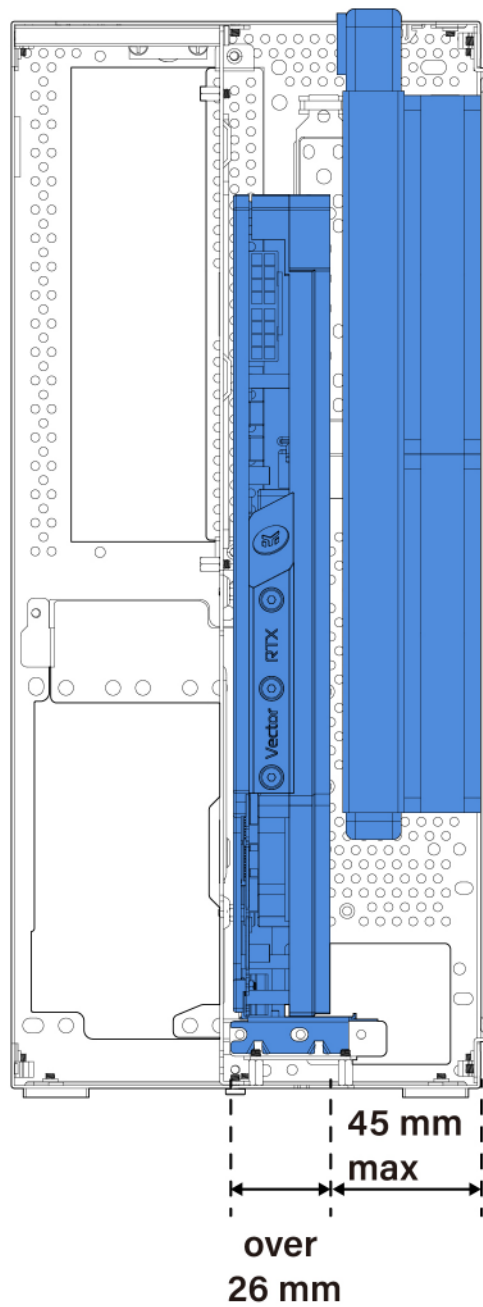
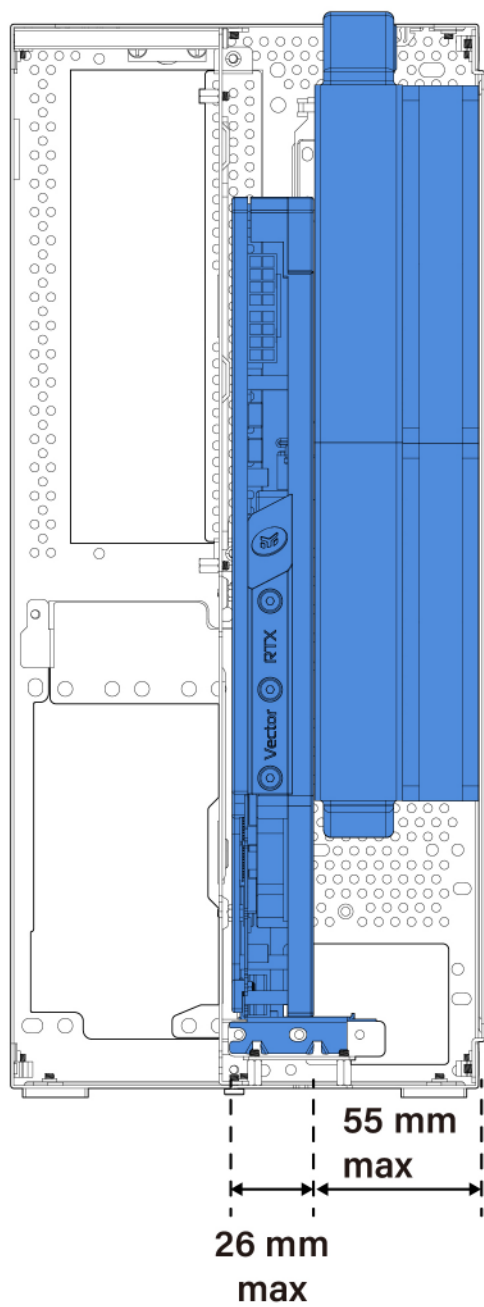
\*Deep 71 mm max



Dual Radiator Mode

# GPU Block and Radiator Limitation

显卡水道板与水冷排尺寸限制 /



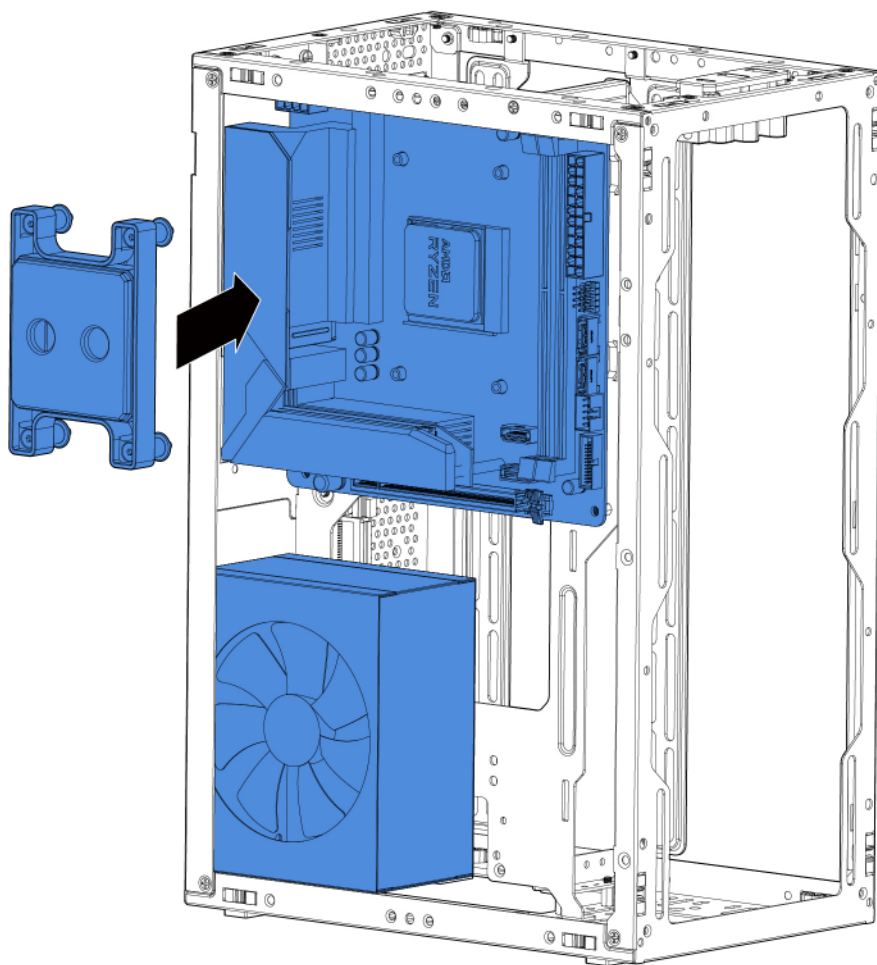
\*Ensure clearance for GPU Block Fitting



# Prepare Mobo and SFX PSU

安装主机板和SFX电源 /

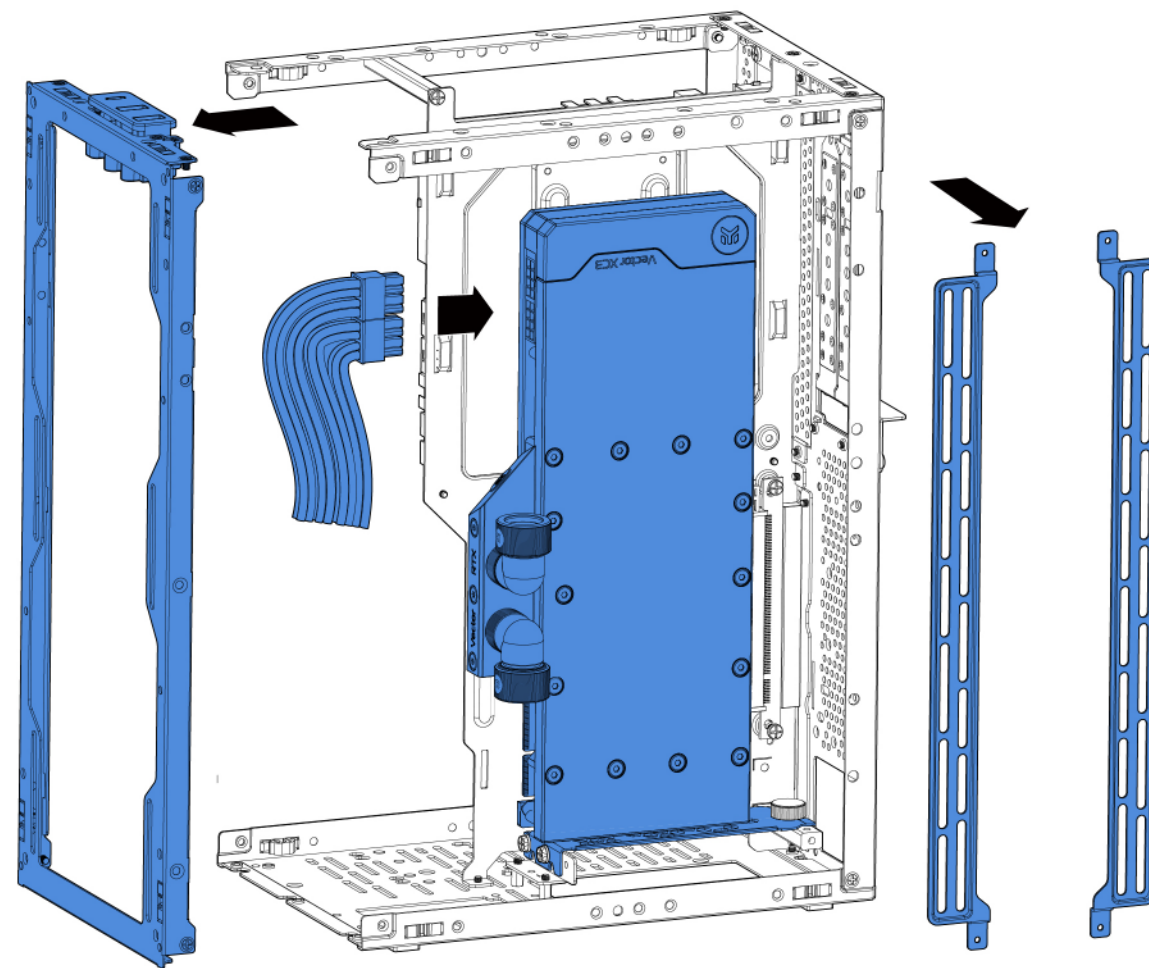
\*Prapare in 4 slot mode



# Install GPU Block

安装显卡水道板 /

\*Install fitting on GPU Block first

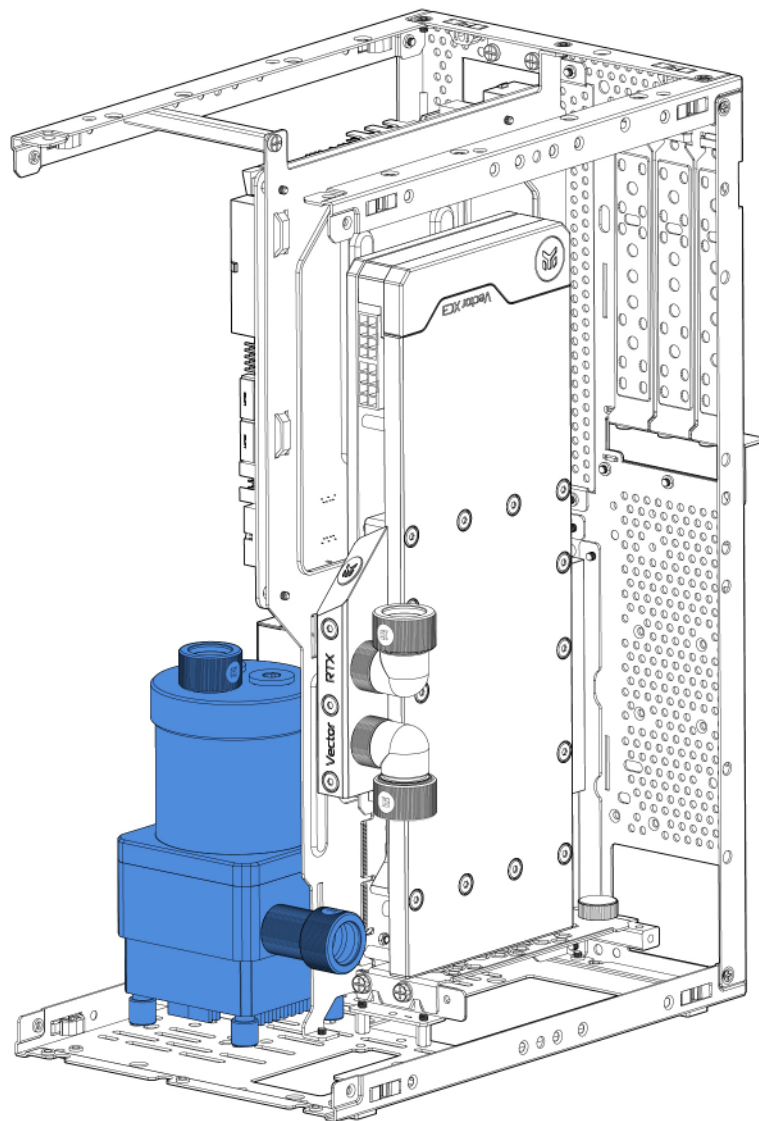


Dual Radiator Mode

# Install Water Pump

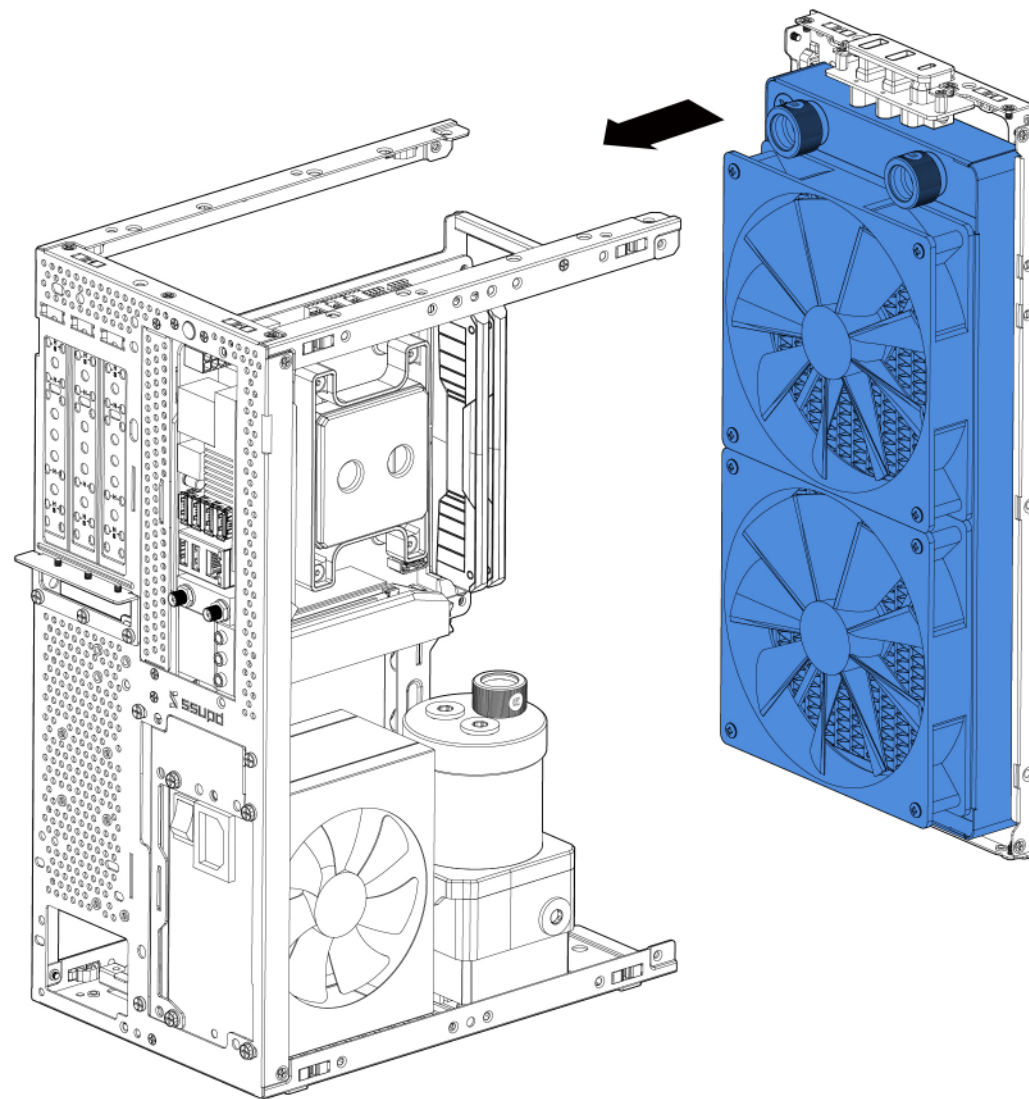
安装水泵 /

\*Suggest using extender on Reservoir outlet fitting



# Install Front Radiator

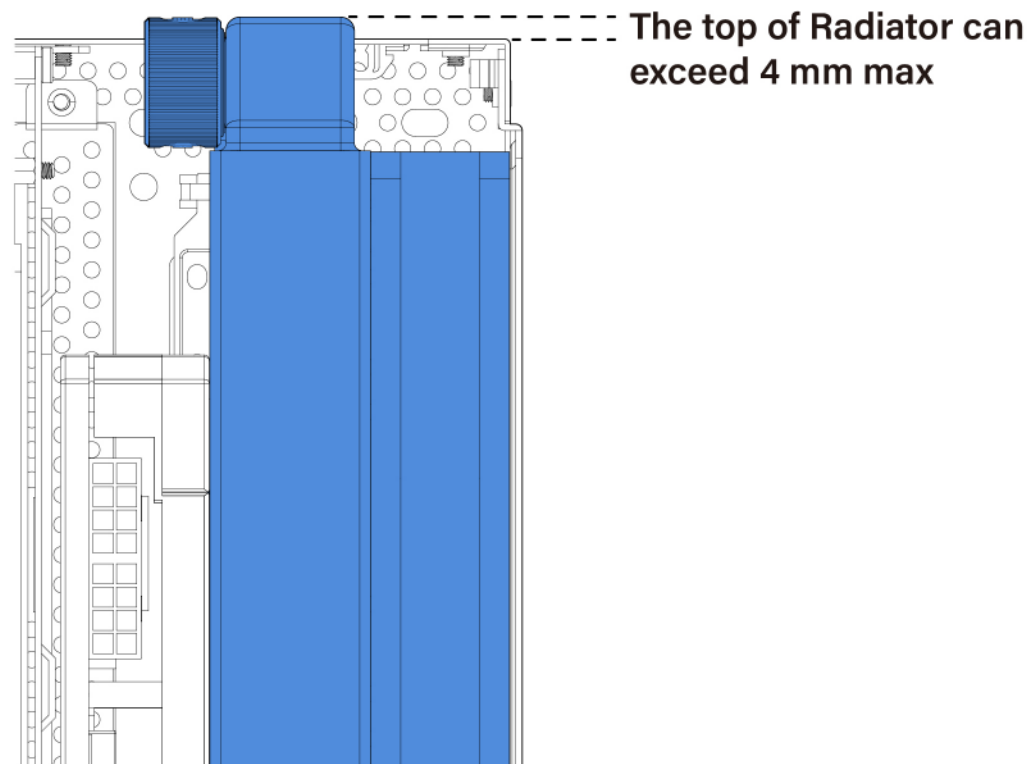
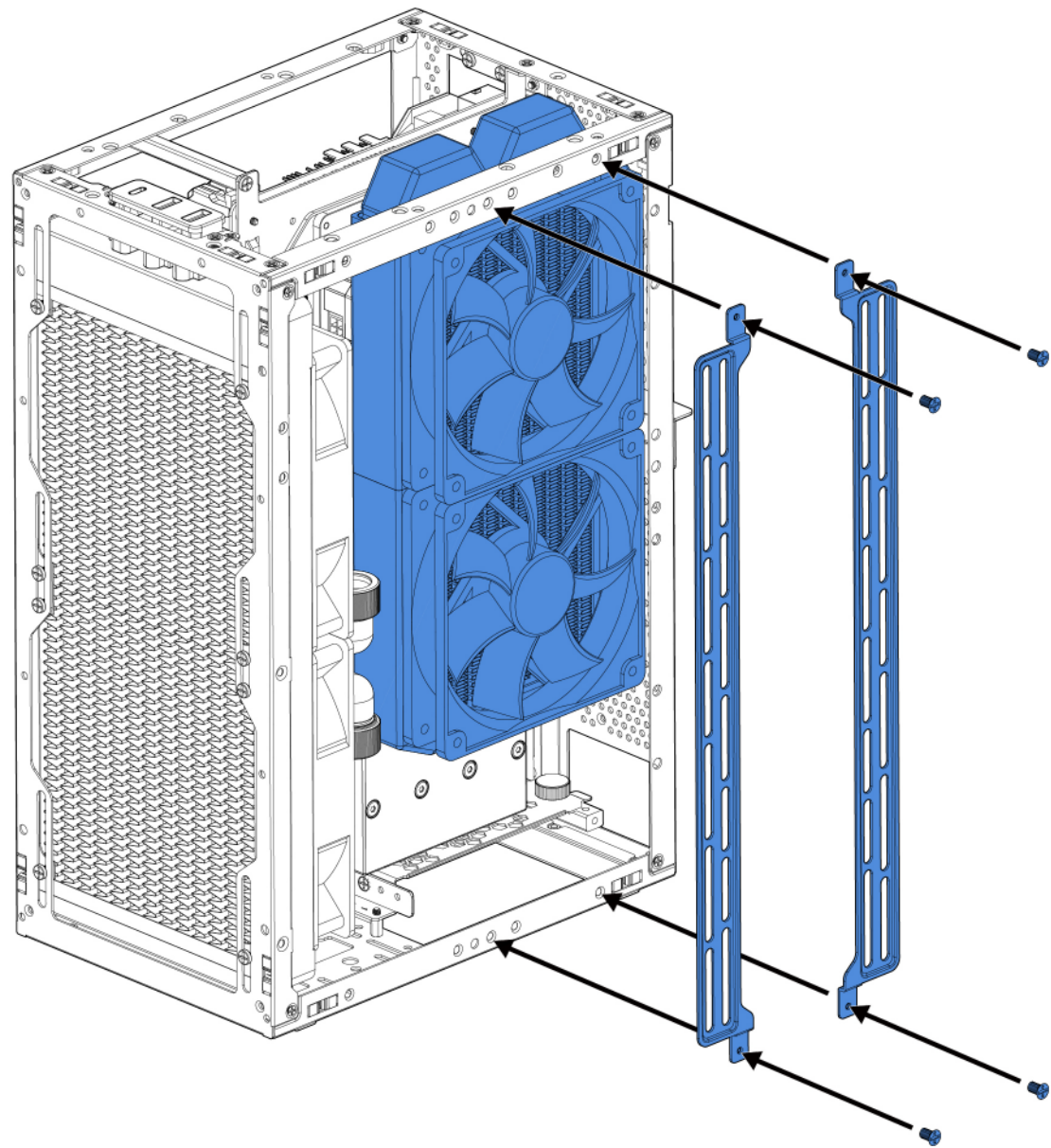
安装前水冷排 /



Dual Radiator Mode

# Install Side 240 Radiator

安装侧面240水冷排 /





# Water Cooling Loop Suggetion

水冷回路建议 /

