

## LED Wall Pack Parker Series



Beyond LED Technology's Parker Series rotatable wall pack is the latest and state-of-the-art product of 2021. It offers a rotatable classic appearance with energy-efficient LED technology and up to 145 lumens per watt efficacy. With our range luminaires you can angle the light exactly where you need it! This product offers a 60° viewing angle, so you don't have to guess which light to purchase, and easily rotate the light to push it all away from the building, all down or find that perfect balance. Parker series offers three selectable wattages. Parker luminaires come with a die cast aluminium housing and a polycarbonate lens to stand up to many years of punishing environmental conditions.

SKU Number	Model#	Watts	Lumens	IP	CCT	Housing	Input Voltage	Certification
153594	BLT-RWP01B-60WH1CYT1 SA1-abcef	30W/40W /60W	3900Lm - 7800Lm	IP65	5000K	Bronze	100V-277V	UL & DLC
153593	BLT-RWP01B-120WF1CYT 1SA2 - abcdef	80W/100 W/120W	10400Lm - 15600Lm	IP65	5000K	Bronze	100V-277V	UL & DLC

## Product Features

- Operating temperature: -30°C to 45°C
- Durable die-cast aluminium housing
- Enclosure provides a water-tight seal making it suitable for outdoor application
- Integral LED driver (isolated), eliminates the need for an external driver or ballast
- Up to 145 lumens per watt
- 60° viewing angle
- Selectable wattage
- Complies with UL safety regulations and is DLC listed
- High Quality and Efficacy SMD3030 chips
- This product is IP65 rated, therefore, it is waterproof, sealed and gasketed wire
- Universal operation at 120-277Vac 50-60Hz
- Environment friendly with no mercury
- Easy to install and operate, with instant and no humming
- Energy saving, long lifespan

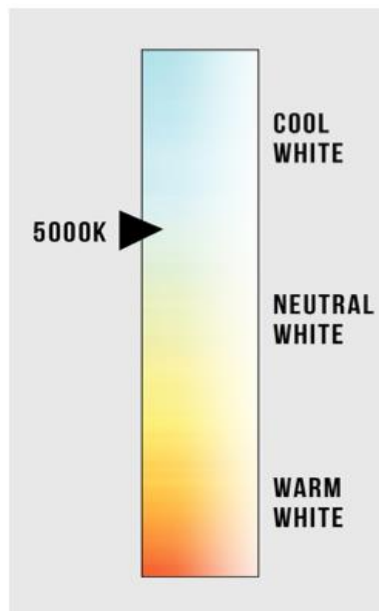
## SKU Number 153594 Specifications

<b>General Performance</b>	Input Power	Up to 60W
		Wattage adjustable
		30W /40W /60W
	Lumen	Up to 8700LM
	Lumen Efficacy	Up to 145LM/W
	Color Temperature	5000K
	CRI	>70
	Viewing Angle	60 Degree
	Input Voltage	120-277VAC 50/60Hz
<b>Electrical</b>	PF	≥0.9
	THD	≤20%
	Driver Model	HB-LPG060-52
<b>Physical</b>	Operating Temperature	-30°C TO 45°C
	Operating Humidity	10%-90% RH
	Storage Temperature	-40°C TO 80°C
	Storage Humidity	10%-95% RH
<b>Qualification</b>	LED Brand	Seoul
	LED Type	SMD 3030
	LED QTY	63 PCS
	Housing	Aluminium Alloy
	Housing Color	Bronze
	Waterproof Rating	WET (IP65)
	Warranty Time	5 Years

## SKU Number 153593 Specifications

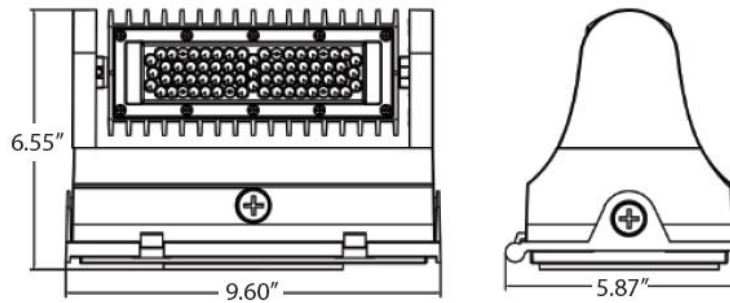
<b>General Performance</b>	Input Power	Up to 120W
		Wattage adjustable
		80W /100W /120W
	Lumen	Up to 17400LM
	Lumen Efficacy	Up to 145LM/W
	Color Temperature	5000K
	CRI	>70
	Viewing Angle	60 Degree
<b>Electrical</b>	Input Voltage	120-277VAC 50/60Hz
	PF	≥0.9
	THD	≤20%
<b>Physical</b>	Driver Model	FD-150E-054B
	Operating Temperature	-30°C TO 45°C
	Operating Humidity	10%-90% RH
	Storage Temperature	-40°C TO 80°C
<b>Qualification</b>	Storage Humidity	10%-95% RH
	LED Brand	Seoul
	LED Type	SMD 3030
	LED QTY	126 PCS
	Housing	Aluminium Alloy
	Housing Color	Bronze
	Waterproof Rating	WET (IP65)
Warranty Time	5 Years	

## Correlated Color Temperature (CCT)

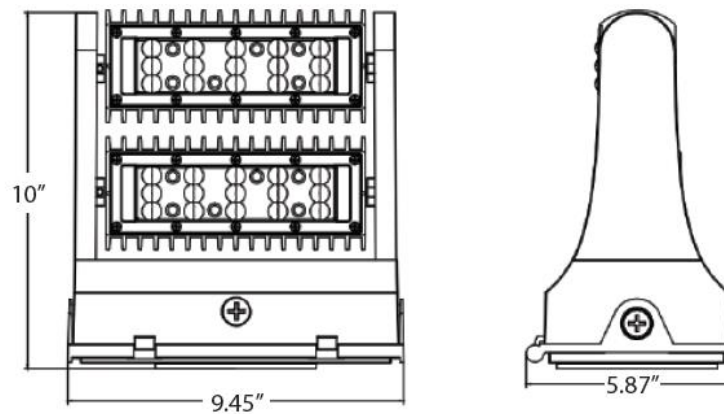


## Dimensions

### SKU Number 153594 Dimensions



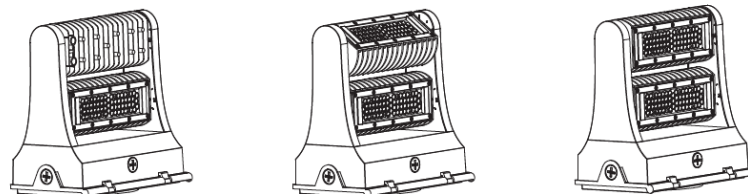
### SKU Number 153593 Dimensions



## Wiring and Features

L/live wire: Black\Brown;  
 N/null wire: White\Blue;  
 Ground wire: Green\Yellow-green.

Note: To meet the requirements of DLC certification, lamps are limited to the same side of the light-emitting use, not in different directions of irradiation use (as shown below).



## SKU number 153594 Light Distribution Testing Parameters

### Luminaire Data

Luminous Length (inches): 7.28  
 Luminous Width (inches): 2.36  
 Voltage: 121.2 V  
 Current: 0.477 A  
 Power: 56.84 W  
 Power Factor: 0.984

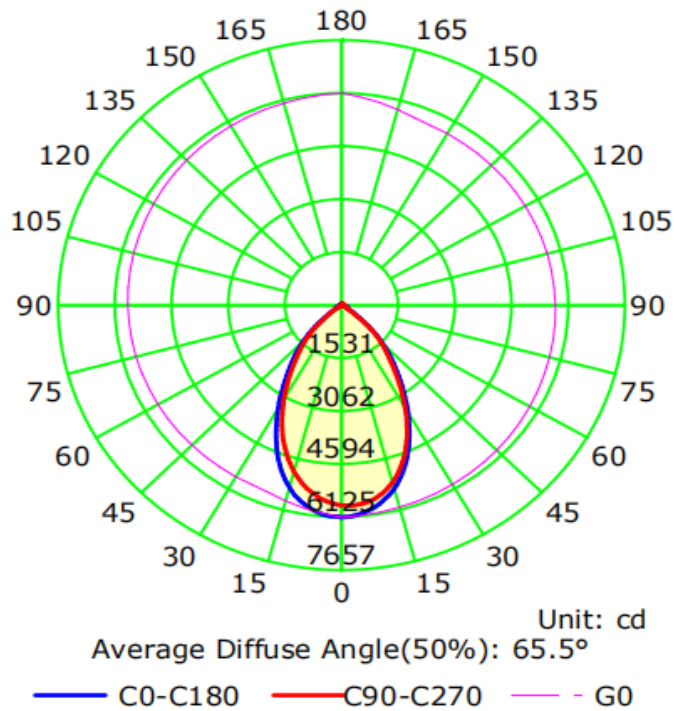
### Photometric Results

IES Classification: Type I  
 Total Rated Lamp Lumens: 7205.5 lm  
 Efficiency: 100%  
 Upward Ratio: 1%  
 Central Intensity: 6125.66 cd  
 Pos of Max. Intensity: H0 V0

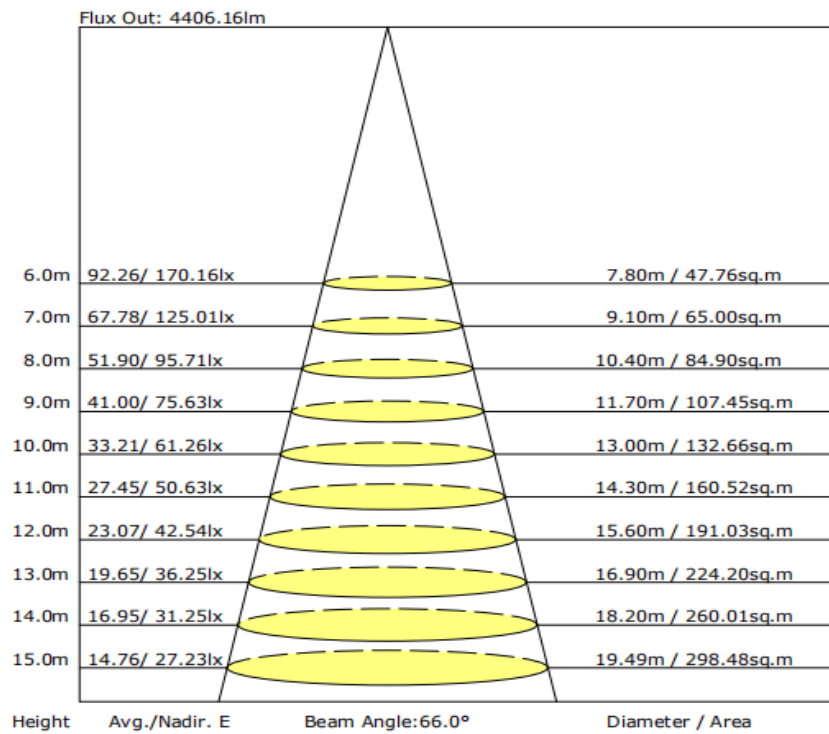
Longitudinal Classification: Very Short  
 Measurement Flux: 7205.5 lm  
 Downward Ratio: 99%  
 Luminaire Efficacy Rating (LER): 126.82  
 Max. Intensity: 6125.67 cd



Luminous Intensity Distribution Curve



### The Average Illuminance Effective Figure



## SKU number 153594 Light Distribution Testing Parameters

### Luminaire Data

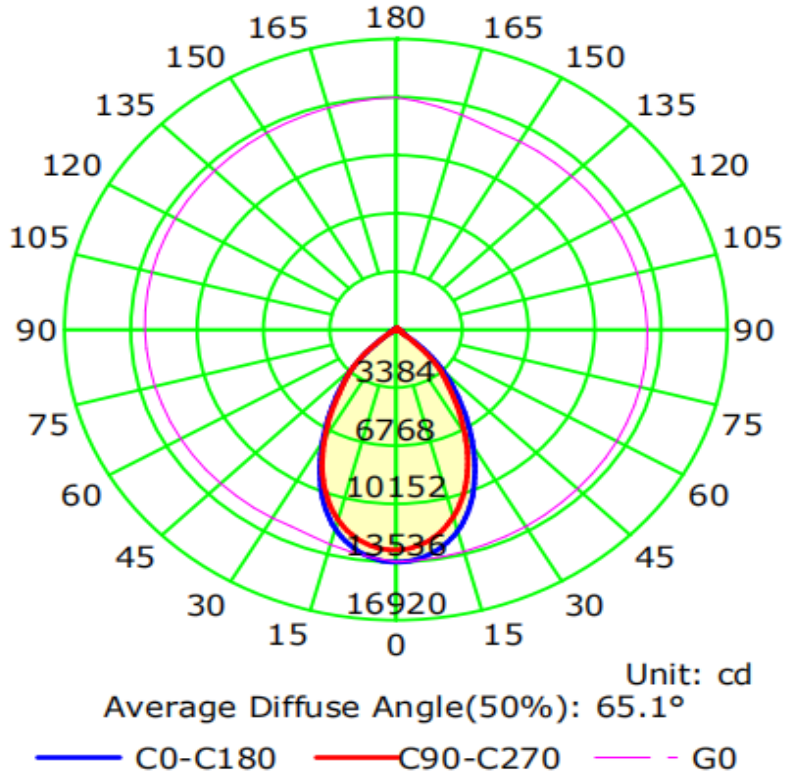
Luminous Length (inches): 7.28  
 Luminous Width (inches): 5.91  
 Voltage: 120.3 V  
 Current: 1.017 A  
 Power: 121.80 W  
 Power Factor: 0.996

### Photometric Results

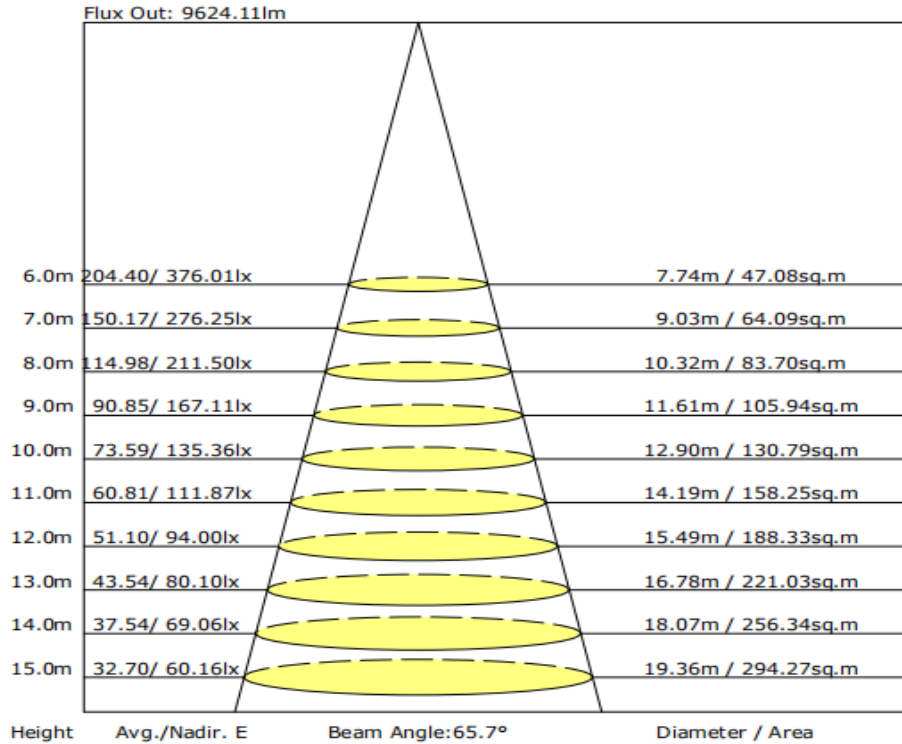
IES Classification: Type I  
 Total Rated Lamp Lumens: 15777.9 lm  
 Efficiency: 100%  
 Upward Ratio: 1%  
 Central Intensity: 13536.2 cd  
 Pos of Max. Intensity: H0 V0

Longitudinal Classification: Very Short  
 Measurement Flux: 15777.9 lm  
 Downward Ratio: 99%  
 Luminaire Efficacy Rating (LER): 129.59  
 Max. Intensity: 13536.21 cd

### Luminous Intensity Distribution Curve



### The Average Illuminance Effective Figure



## Installation Instructions

Step 1: Use a screwdriver to loosen the screws connecting the lamp base so as to remove the lamp base cover (Figure 1 & Figure 2) ;

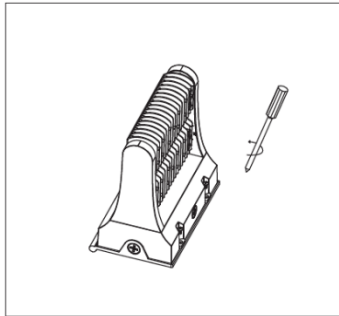


Figure 1

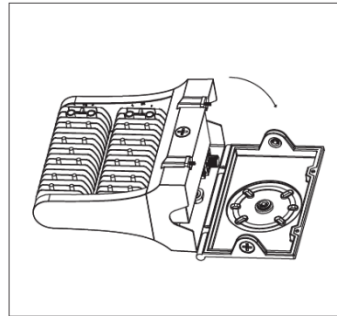


Figure 2

Step 2: Drill an installation holes at the bottom of light, paste the EVA mat (Figure 3 & Figure 4) ;

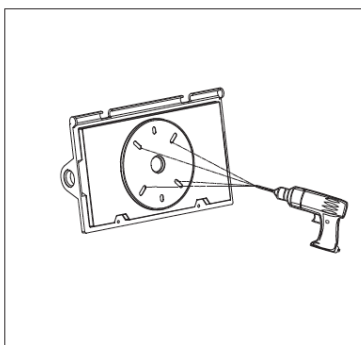


Figure 3

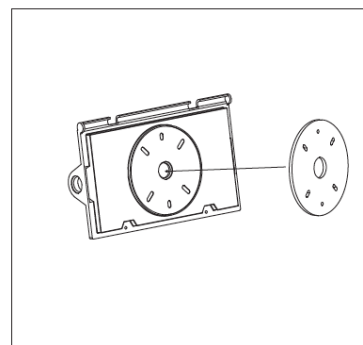


Figure 4

Step 3: Drill holes on the wall according to the locating plate (Figure 5) ;

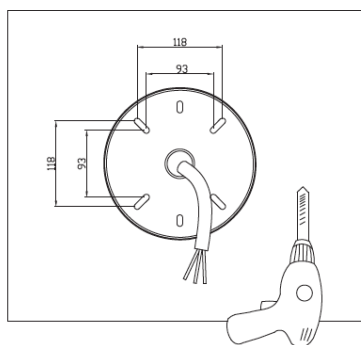


Figure 5

Step 4: Fix rubber plugs into holes (Figure 6) ;

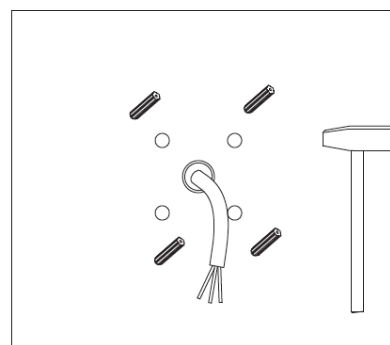


Figure 6



Step 5: Align the holes on the lamp base with the holes on the wall, and tighten the screws (Figure 7) ;

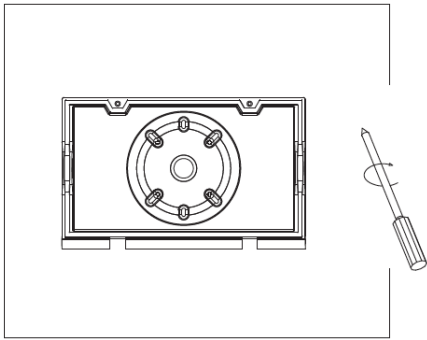


Figure 7

Step 6: Buckle the rotating shaft of the lamp base from the back of the cover and connect the wires properly (Figure 8 & Figure 9) ;

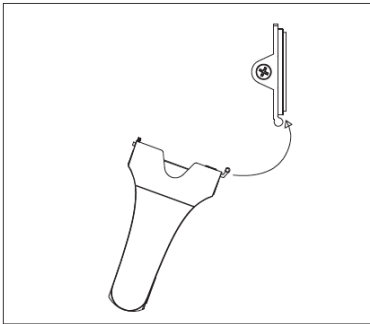


Figure 8

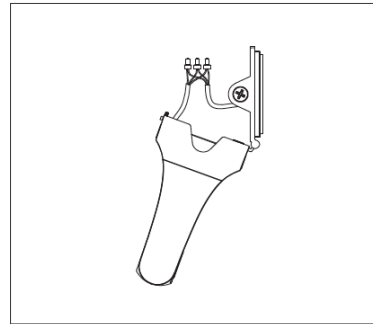


Figure 9

Step 7: Well organize the line and tighten the screws of the lamp base ( (Figure 10 & Figure 11) .

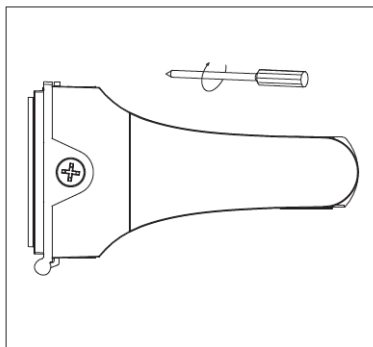


Figure 10

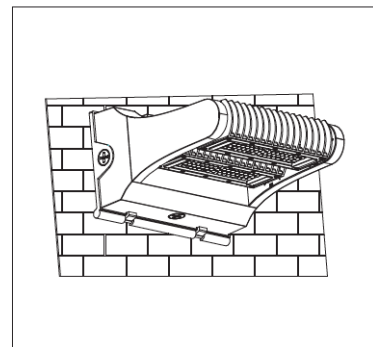


Figure 11

## Notes Before Installation

1. Be careful to open the carton, contact us if any damage.
2. This product must be installed in accordance with the applicable installation, code by a person familiar with the construction and operation of the product and the hazards involved.
3. “caution - risk of shock” and “disconnect power before servicing” when photoelectric switch provided.
4. Please check whether the voltage marked on the luminaire is consistent with the input voltage to be connected, so as not to damage the LED luminaire.
5. To ensure the lifetime of the product, please do not use it in a place with strong acid mist.
6. Make sure the installation position can withstand 10 times the weight of the luminaire before installation and install it at a flat place without vibration, no swing, no fire hazard.

### Notice For User

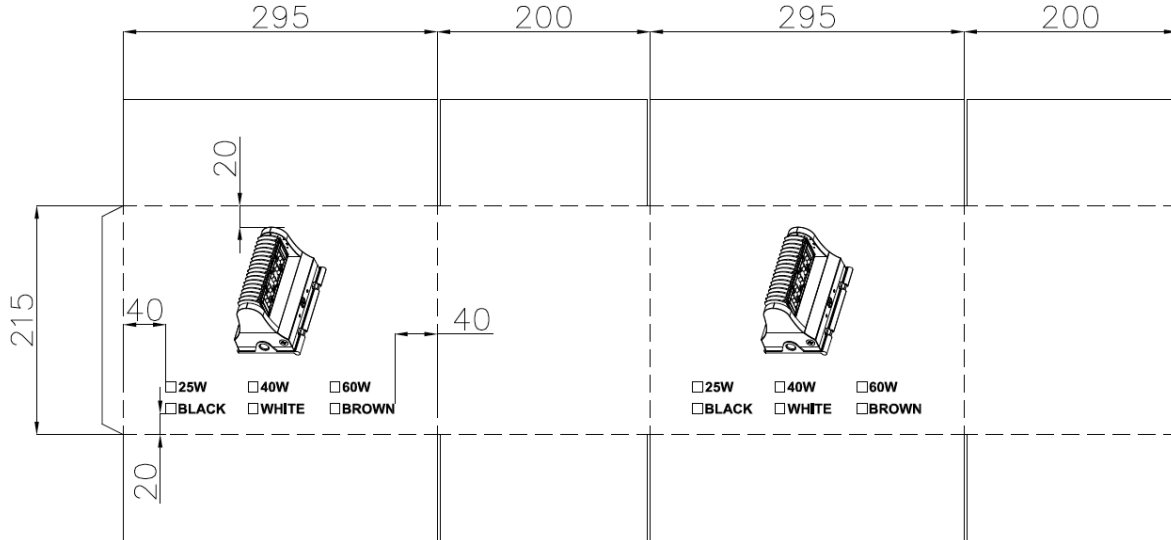
- Please turn off power before install or change assembly parts.
  - The input voltage and lamps should be matched, after connecting the power line, Please make sure the wiring section is insulated.
  - No-professionals, must not install and disassemble the lamps.
1. This luminaire must be installed by qualified electrician to avoid electric shock and fire accident;
  2. Wear gloves before installation in order to avoid injury;
  3. Turn off the power immediately when there is smoke and fire during installation, inform professionals to overhaul;
  4. This luminaire is suitable for outdoor use.

## Trouble Shooting

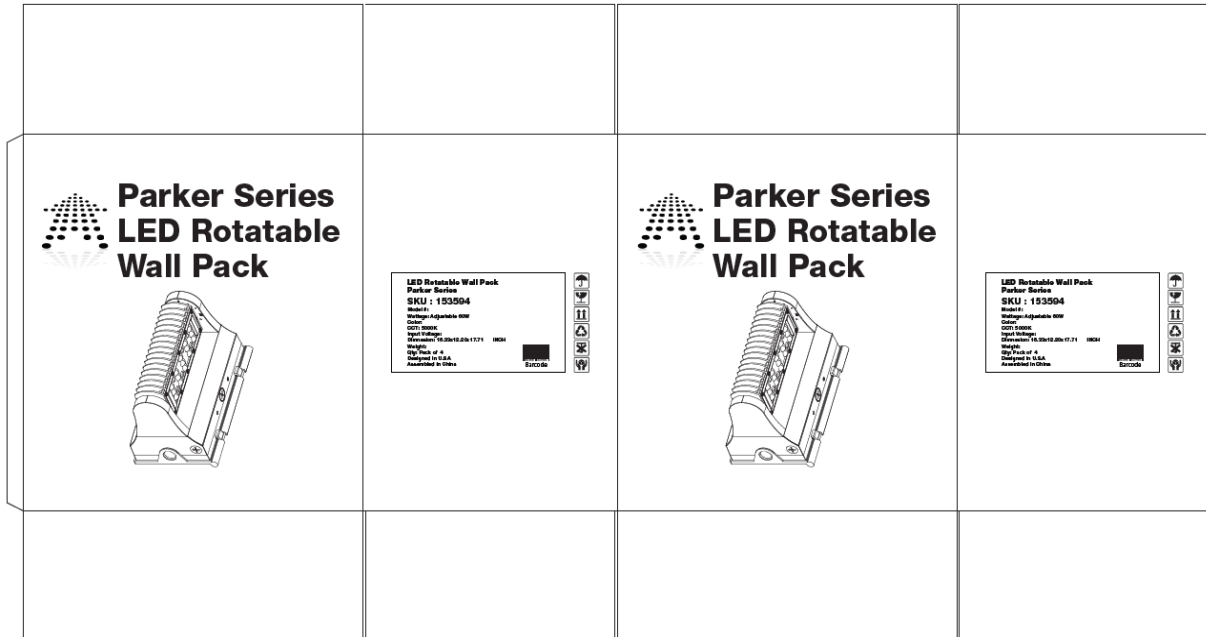
Troubles	Check points
Flickering of the light	Turn off the power and turn on again in 3 minutes. If same phenomena occur, then call agencies.
Out of working	Please check the connection.

## Packaging

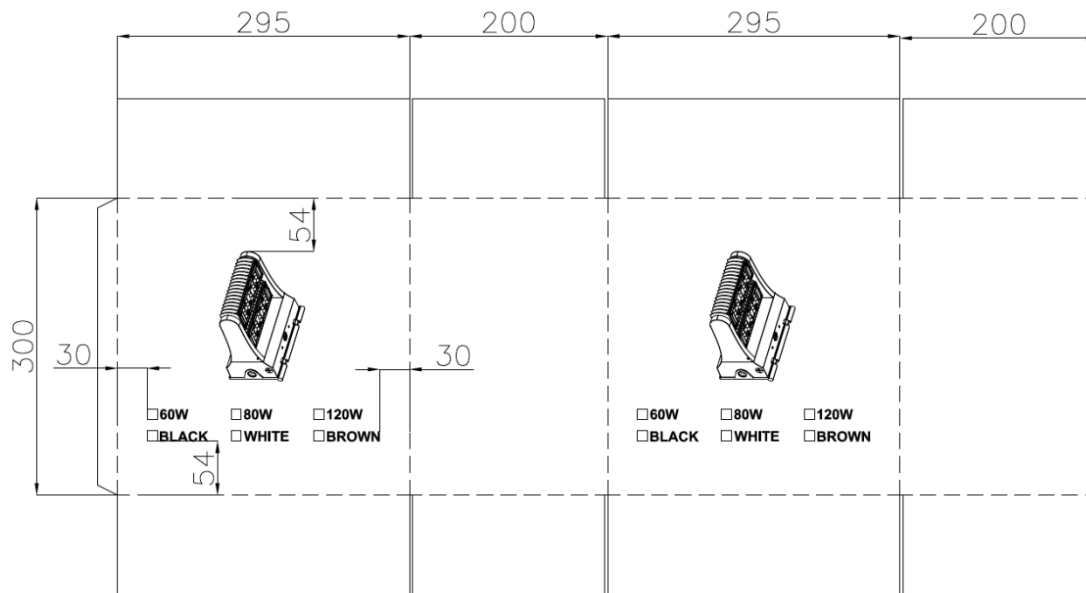
### Inner Box 30W /40W /60W



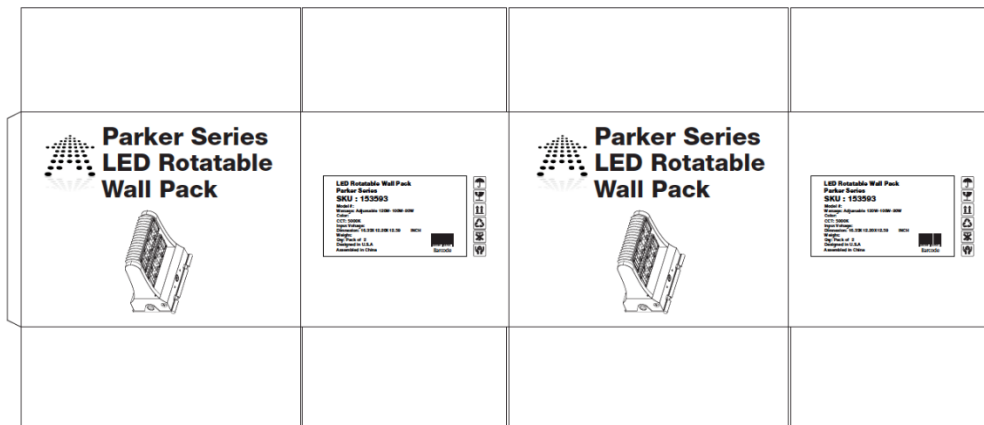
### Outer Box 30W /40W /60W



### Inner Box 80W /100W /120W



### Outer Box 80W /100W /120W



SKU	Wattage	Inner Box Size (inches)			Outer Box Size (inches)		
		L	W	H	L	W	H
153754	30W /40W /60W	11.61	7.87	11.61	16.34	12.2	16.3
153753	80W /100W /120W	11.61	7.87	11.61	16.34	12.2	16.3

1. Please do not shake it too much during transportation, handle carefully when unloading.
2. Recommended to be stored in a warehouse of -10~ +60 °C and keep the warehouse dry.

## Application

- Entrance lighting • Courtyard lighting • centre • parks • car-parking place • Stadiums
- Industrial lighting • billboards • outdoor landscape light • landscaping works • building • stairway
- facades and public corridors



## Safety and Precautions

To reduce the risk of death, personal injury or property damage from fire, electric shock, falling parts, cuts/abrasions, and other hazards read all warnings and instructions included with and on the fixture box and all fixture labels.

Before installing, servicing, or performing routine maintenance upon this equipment, follow these general precautions.

Commercial installation, service and maintenance of luminaires should be performed by a qualified licensed electrician.

For the installation: If you are unsure about the installation or maintenance of the luminaires, consult a qualified licensed electrician and check your local electrical code.

To prevent wiring damage or abrasion, do not expose wiring to edges of sheet metal or other sharp objects. Do not make or alter any open holes in an enclosure of wiring or electrical components during kit installation.

### **WARNING: RISK OF FIRE OR ELECTRICAL SHOCK**

Turn off electrical power at fuse or circuit breaker box before wiring fixture to the power supply.

Turn off the power when you perform any maintenance.

Verify that supply voltage is correct by comparing it with the luminaire label information.

Make all electrical and grounded connections in accordance with the National Electrical Code and any applicable local code requirements. All wiring connections should be capped with UL approved wire connectors.

## WARNING: BEFORE INSTALLATION

1. Can not use the electric generator to test the LED lamp;
2. This luminaire must be installed in accordance with your local electrical codes and requirements;
3. Do not install the luminaire in rainy days, to avoid lightning stroke and damage to luminaire.

## CAUTION: RISK OF INJURY

### CAUTION: RISK OF INJURY

Avoid direct eye exposure to the light source while it is on.

Account for small parts and destroy packing material, as these may be hazardous to children.

## Warranty

5 Years Warranty

