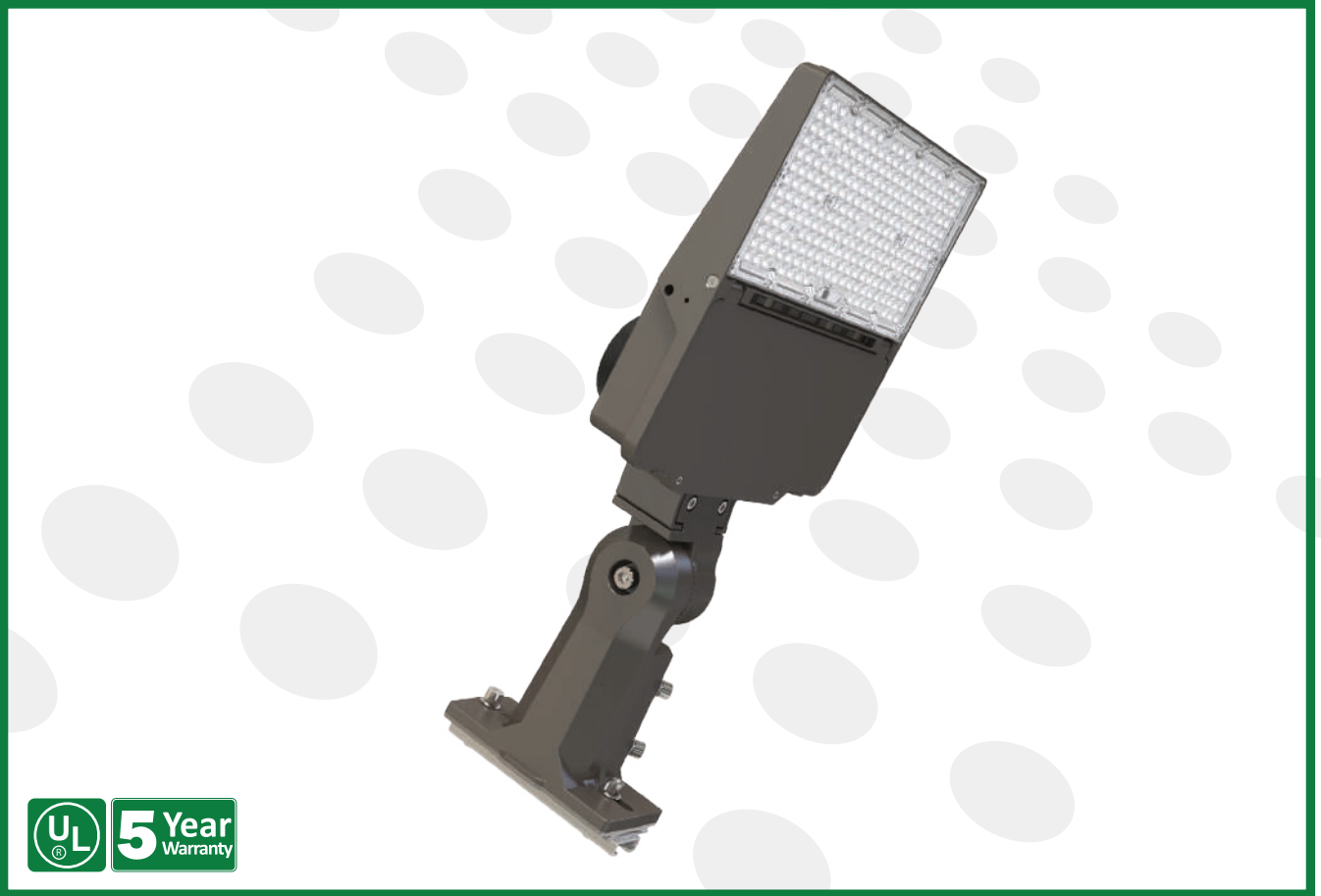




i9™ 3rd Gen.



Beyond LED Technology's i9 3rd Gen Area light is the most economical and newest 2022 model. Our i9 3rd Gen Area light offers high lumens per watt for maximum power savings and rebates from power companies. Our i9 3rd Gen Area light is a perfect solution for lighting parking areas, loading docks and other general lighting applications.

Product Features

- High Efficacy LumiLEDs
- Ultra thin sleek design
- Up to 130 lumens per watt
- Optional Screw-in photocell
- Universal bracket fits most applications
- Heat resistant polycarbonate optical lens
- Die Cast Aluminum
- Universal 120-277Vac / 480Vac
- UL & DLC Listed
- 5 Year Warranty

i9™

3rd Gen.



SKU #	Model #	Housing	Watt	Lumens	CCT	Input Voltage	IP	Dimming	Certifications
154309	ZPS-ZD471-150W.V1-50K-E11-J3-F1-PSP-T3	Bronze	150W	20770Lm	5000K	120-277V	IP65	0-10V	UL & DLC
154324	ZPS-ZD471-150W.V9-50K-E11-J3-F1-PSP-T3	Bronze	150W	20770Lm	5000K	277-480V	IP65	0-10V	UL & DLC

SKU: 154309 Specifications

Parameter	Description	Value
General Performance	Model #	ZPS-ZD471-150W.V1-50K-E11-J3-F1-PSP-T3
	Wattage	150W
	Lumen	20770LM
	Lumen Efficacy	Up to 130LM/W
	Color Temperature	5000K
	CRI (Ra)	>80
	Beam Angle	160° x 65° (Type III)
	Diffuser Type	PC Lens
Electrical	Input Voltage	120-277Vac
	Frequency	50/60Hz
	Dimming	0 - 10V
	Power Factor	≥0.9
	Driver Surge Protection	4KV(L-N);4KV(L-PE, N-PE) 10KV SPD
	Flicker Percent	≤60%
Physical	Operating Temperature	-40°C TO 40°C
	Operating Humidity	10%-95%RH
	Storage Temperature	-30°C To 60°C
	Storage Humidity	5% - 98% RH
	LED Brand	Lumileds
	LED Type	2835
	LED QTY	240 Pcs
	Housing	Die-cast aluminum
Qualification	Housing Color	Bronze
	IP Rating	IP65
	Warranty	5 Years



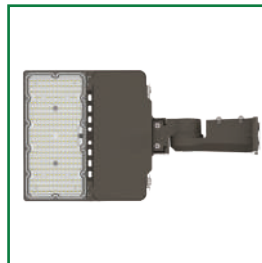
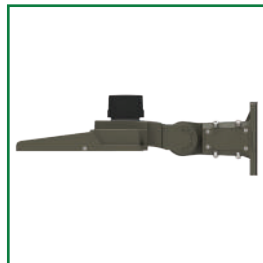
i9™

3rd Gen.

SKU: 154324

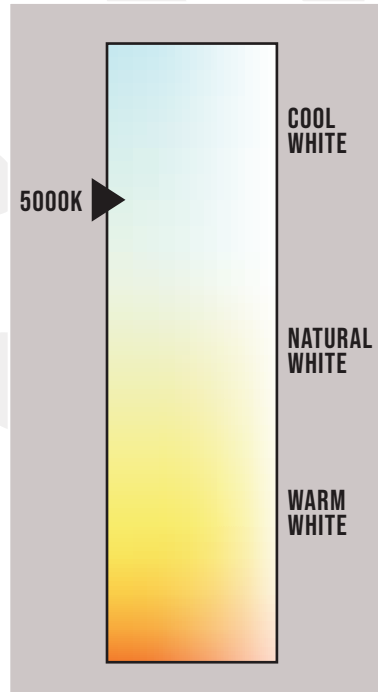
Specifications

Parameter	Description	Value
General Performance	Model #	ZPS-ZD471-150W.V9-50K-E11-J3-F1-PSP-T3
	Wattage	150W
	Lumen	20770LM
	Lumen Efficacy	Up to 130LM/W
	Color Temperature	5000K
	CRI (Ra)	>80
	Beam Angle	160° x 65° (Type III)
Electrical	Diffuser Type	PC Lens
	Input Voltage	277-480Vac
	Frequency	50 / 60 Hz
	Dimming	0 - 10V
	Power Factor	≥0.9
	Driver Surge Protection	4KV(L-N);4KV(L-PE, N-PE) 10KV SPD
Physical	Flicker Percent	≤60%
	Operating Temperature	-30°C TO 60°C
	Operating Humidity	10%-95%RH
	Storage Temperature	-30°C To 60°C
	Storage Humidity	5% - 98% RH
	LED Brand	Lumileds
	LED Type	2835
	LED QTY	240 Pcs
Qualification	Housing	Die-cast aluminum
	Housing Color	Bronze
	IP Rating	IP65
	Warranty	5 Years

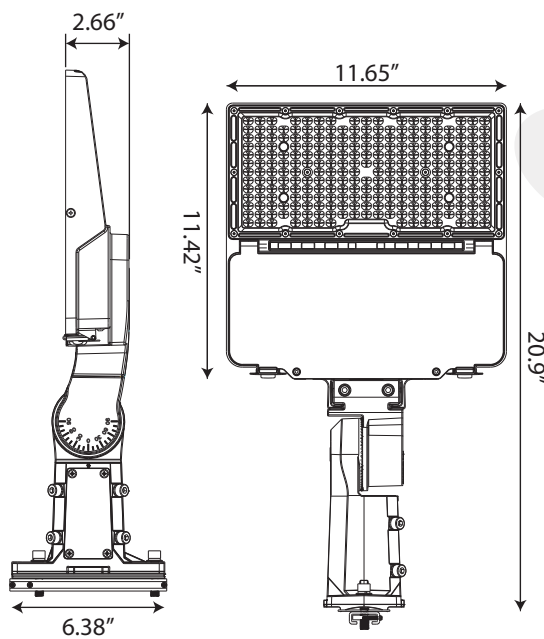




Correlated Color Temperature (CCT)

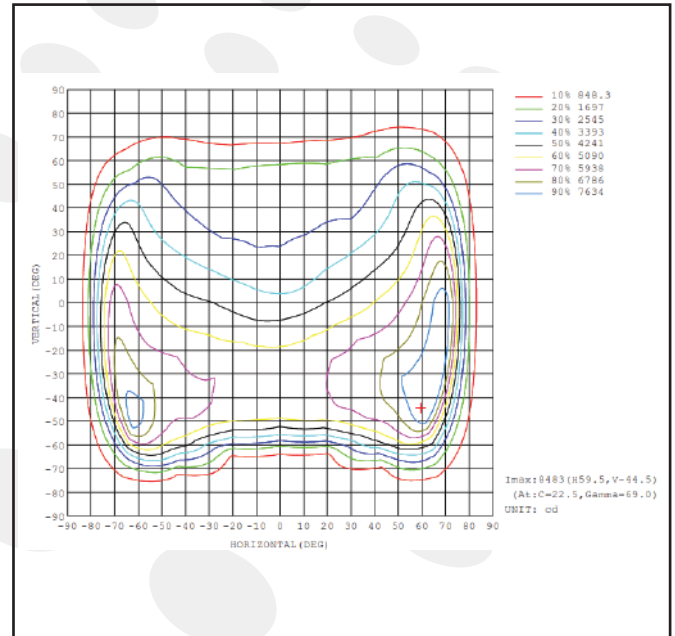
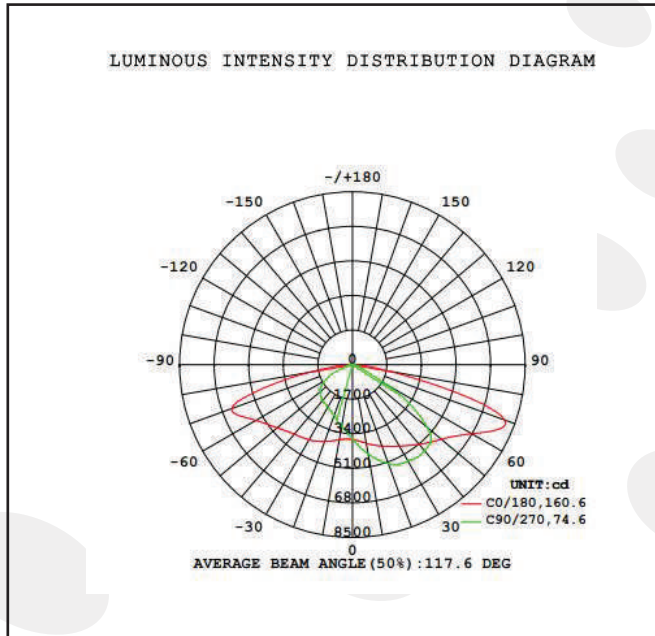


Dimensions





Light Distribution Curve / Spot



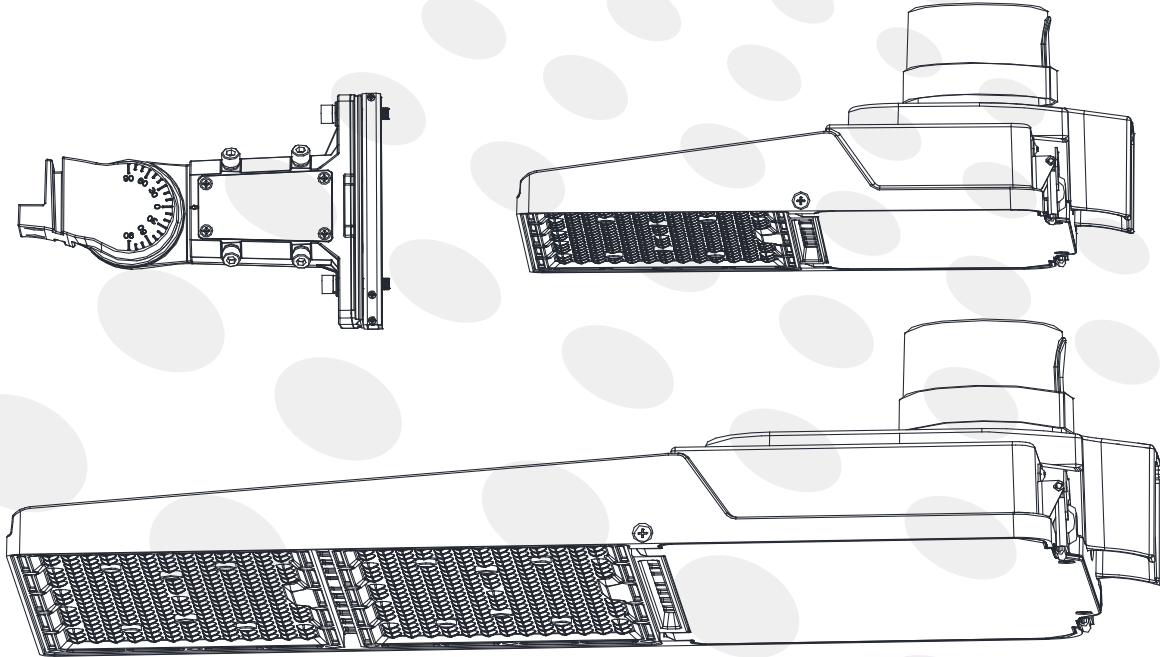
PACKAGE

Lamp Type	Carton (Inch)	Qty / Carton	Net Weight / Carton	Gross Weight / Carton
150W	23.22x5.43x14.48	1 PC	13.89 lbs	15.87 lbs

Tolerance of Carton Size: ± 15 MM, Tolerance of Weight: $\pm 10\%$.



INSTALLATION INSTRUCTIONS



Model	W	K	lm	L x W x H(mm)			IP	T _a (°C)	V _{AC}	Hz
ZPS-ZD471-150W.V1-50K-E11-J3-F1-PSP-T3	150W	5000	20770	530	296	67.5	65	-40...+40	120-277V	50/60HZ
ZPS-ZD471-150W.V9-50K-E11-J3-F1-PSP-T3	150W	5000	20770	530	296	67.5	65	-40...+40	277-480V	50/60HZ

WARNING

RISK OF FIRE, EXPLOSION AND ELECTRIC SHOCK

- This product should be installed, inspected, and maintained by a qualified electrician only, in accordance with the NEC (National Electric Code) and all local codes.
- Turn off electrical power before inspection, installation or removal.
- Use only UL (or other NRTL) approved wire for input/output connections. Minimum size 18 AWG or 14 AWG for continuous runs.
- Make sure LEDs and drivers are cool to touch when performing maintenance. Make sure the supply voltage is the same as the rated voltage of the luminaire.
- Do not install in a hazardous atmosphere, except where the ambient temperature does not exceed the rated operating temperature of the fixture.
- Keep tightly closed when in operation





i9™ 3rd Gen.

• Pole Universal Bracket Installation

Step 1: Remove the four bolts from PSP bracket, Take out the four rubber plugs from the accessories bag, put the four rubber plugs on the place where the four bolts were previously placed on the bracket for waterproof purpose. (Figure 1)

Step 2: Fix PSP bracket to square pole with bolt, open the cover of PSP bracket junction box, Snap the light fixture into the PSP bracket and lock the screws, pull the wire into bracket junction box, connect the wire properly and cover the junction box. (Figure 2)

Notice: Adjustable angle is 0-90° (Figure 2)

Same as round pole installation, please remember to use the adapting plate for round pole installation (Figure 3)

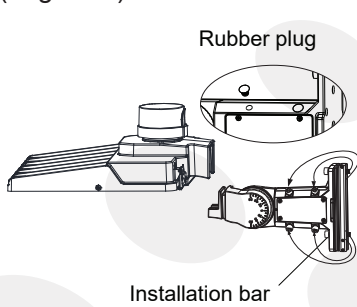


Figure 1

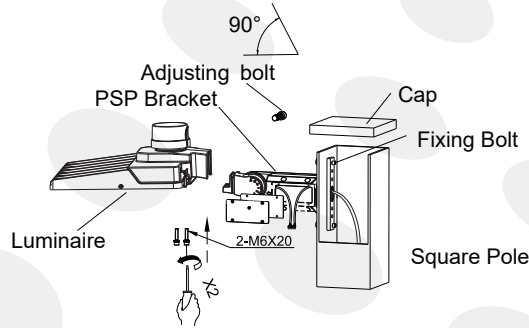


Figure 2

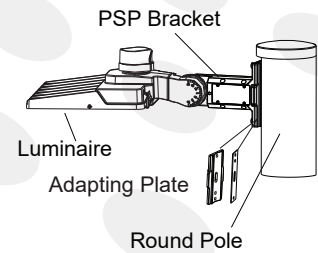


Figure 3

Step 1: Remove the spare parts from PSP bracket, Snap the light fixture into the PSP bracket and lock the screws. (Figure 4)

Step 2: Loosen the four bolts on PSP bracket, connect the wires correctly the poles. (Figure 5)

Step 3: Place the bracket into the pole and lock the four bolts. (Figure 5) Notice: Adjustable angle is 0-90° (Figure 5)

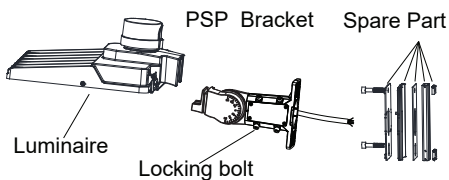


Figure 4

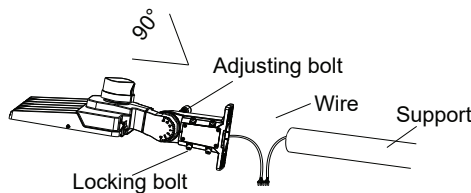


Figure 5

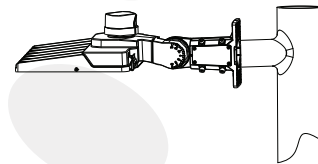
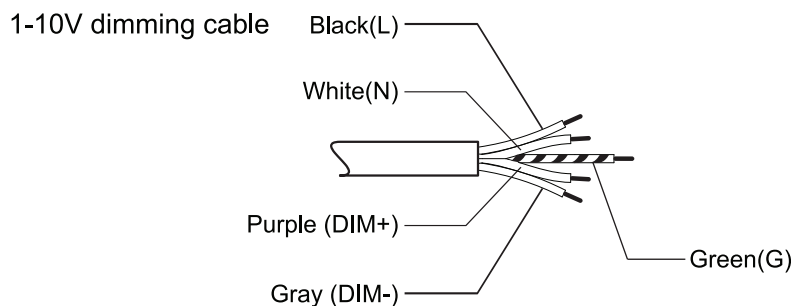


Figure 6

[Wiring diagram]





APPLICATIONS PICTURES



LED AREA LIGHTS

Warranty

5 Years Warranty