



# YONAH™

## 2nd Gen



Beyond LED Yonah 2nd Gen Linkable T8 LED Integrated Lamps perform efficiently in conditions where low voltage, halogen, or fluorescent luminaires have traditionally been used. Our LED tubes incorporate integral drivers, are self-supporting and can be surface mounted. Individual units can be plugged together for continuous lengths up to 200W. Our Yonah 2nd Gen Lamps connect directly to line voltage and can be used in any interior space.

### Product Features

- Efficacy up to 140 Lumens per watt
- Input Voltage 100-277Vac 50-60Hz
- Dimming Traic Dimmable
- Operates directly from line voltage
- Usable as a stand alone fixture
- Linkable up to 200W at AC120V
- Aluminum and PC housing
- ETL Listed
- 5 Year warranty

# YONAH™

## 2nd Gen



SKU #	Model #	Watt	Lumens	CCT	Size	Lens	Dimming	Input Voltage	Certifications
156744	BLT-T8-30P4FT-INT26500K-S	30W	4200Lm	6500K	4FT	Striped	Triac Dimmable	100-277Vac	ETL
156777	BTL-T8-30P4FT-INT2(6500K)-CT	30W	4200Lm	6500K	4FT	Clear	Triac Dimmable	100-277Vac	ETL
156778	BTL-T8-60P8FT-INT2(6500K)-CT	60W	8400Lm	6500K	8FT	Clear	Triac Dimmable	100-277Vac	ETL
156811	BTL-T8-60P8FT-INT2(6500K)-S	60W	8400Lm	6500K	8FT	Striped	Triac Dimmable	100-277Vac	ETL

### SKU: 156744/156777

### Specifications

Parameter	Description	Value
General Performance	Wattage	30W
	Lumen	4200Lm
	Lumen Efficacy	Up to 140LM/W
	Color Temperature	6500K
	CRI (Ra)	>80
	Dimming	Triac Dimmable
	Beam Angle	100° Degree
	Diffuser Type	Striped / Clear
Electrical	Input Voltage	100-277Vac
	Frequency	50/60Hz
	Power Factor	>0.95
Physical	Operating Temperature	-30°C to 65°C
	Operating Humidity	N/A
	Storage Temperature	N/A
	LED Type	SMC2835
	Housing Material	Aluminum + PC Cover
Qualification	Housing Color	White
	IP Rating	IP22
	Warranty	5 Year



# YONAH™

## 2nd Gen

SKU: 156778/156811

### Specifications

Parameter	Description	Value
General Performance	Wattage	60W
	Lumen	8400Lm
	Lumen Efficacy	Up to 140LM/W
	Color Temperature	6500K
	CRI (Ra)	>80
	Dimming	Triac Dimmable
	Beam Angle	100° Degree
	Diffuser Type	Striped / Clear
Electrical	Input Voltage	100-277Vac
	Frequency	50/60Hz
	Power Factor	>0.95
Physical	Operating Temperature	-30°C to 65°C
	Operating Humidity	N/A
	Storage Temperature	N/A
	LED Type	SMC2835
	Housing Material	Aluminum + PC Cover
Qualification	Housing Color	White
	IP Rating	IP22
	Warranty	5 Year

### Optional Accessories (Cable)

SKU: 156846  
(1FT)



SKU: 156847  
(2FT)





## Accessories

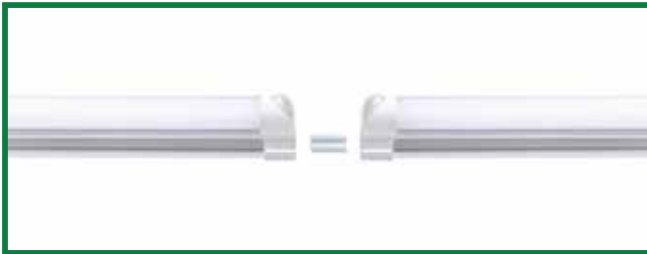
Linkable Options



Mounting Clips



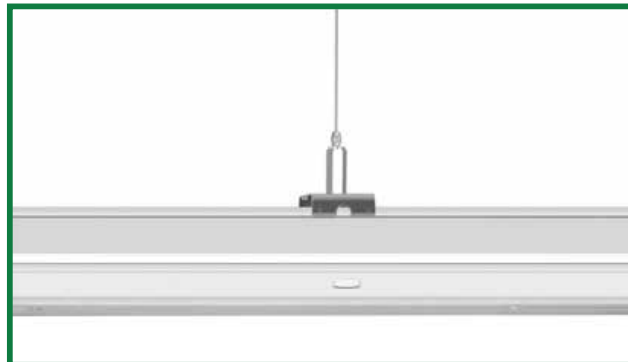
Linkable Options



Linkable Options Mounting Clips



## Installation, Hanging

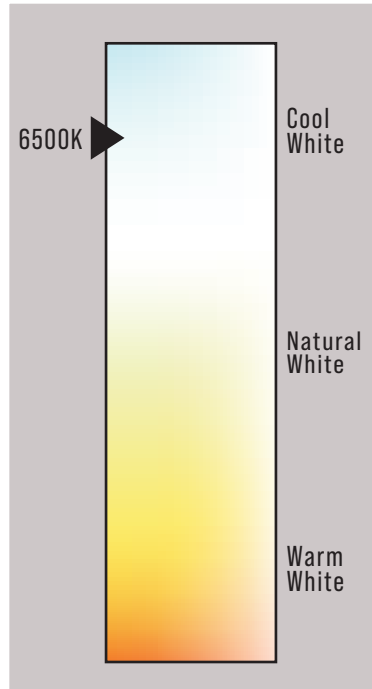




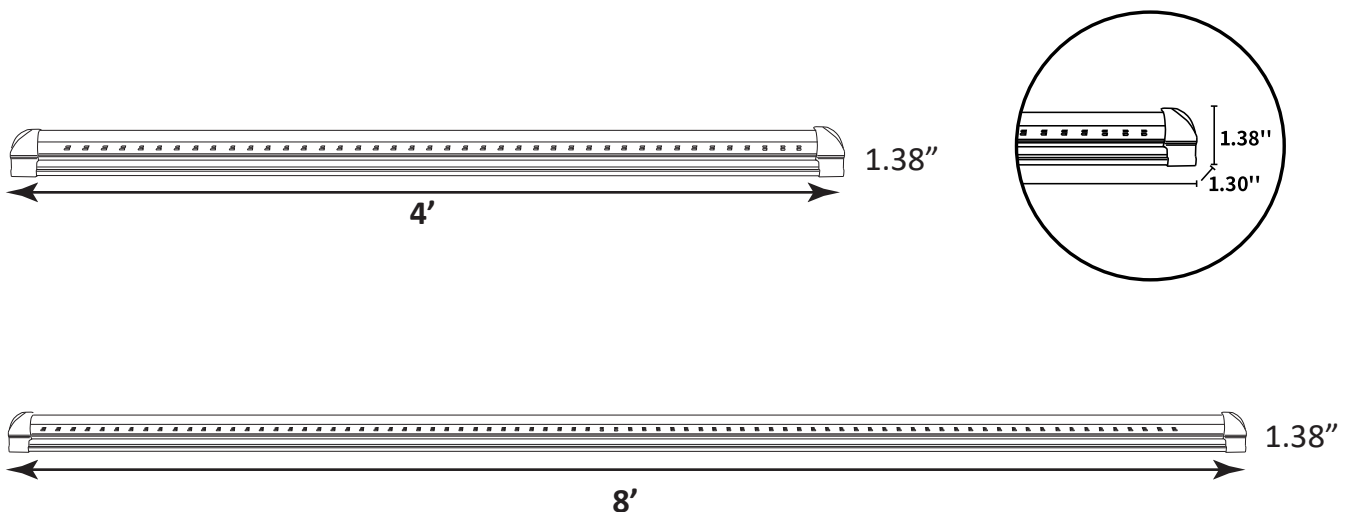
# YONAH™

## 2nd Gen

### Correlated Color Temperature (CCT)



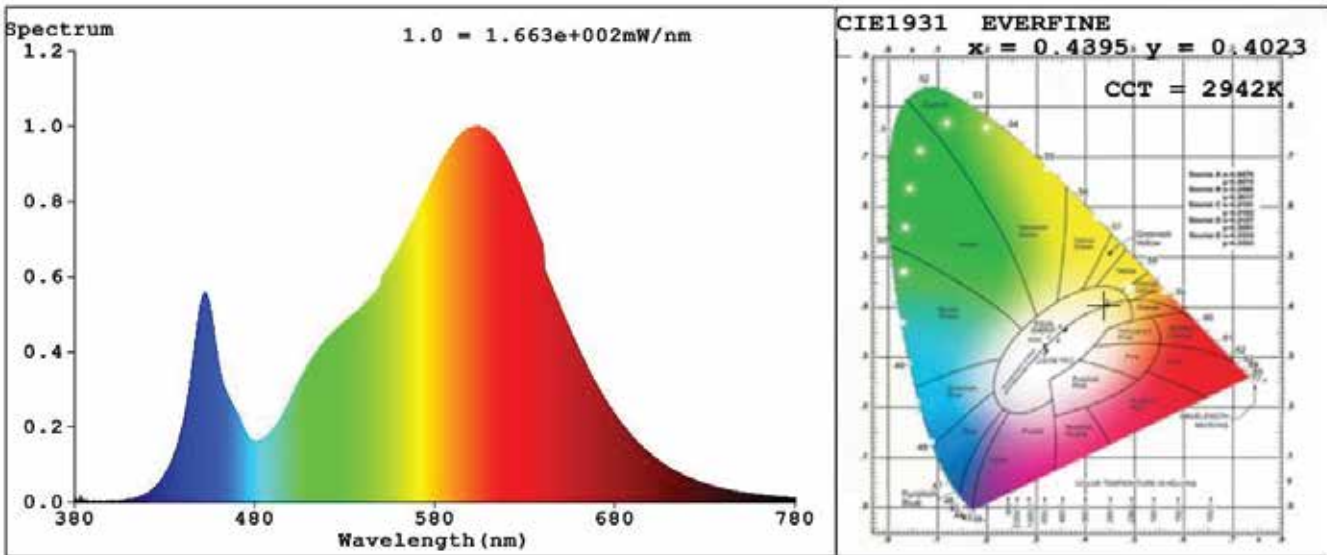
### Dimension



LED LINKABLE FIXTURES



### Distribution Diagram



### Chromaticity Measurement - Sphere - Spectroradiometer

#### Method (Self-absorption)

Parameter	Result
Test Voltage (V)	120
Frequency (Hz)	60
CCT (K)	2942
Duv	-0.0011
Chromaticity (x, y)	x=0.4395 y=0.4023
Chromaticity (u', v')	u'=0.2530 v'=0.5211
Color Rendering Index (CRI)	80
R9	0

Special Color Rendering Indices			
R1	78	R9	0
R2	90	R10	77
R3	96	R11	75
R4	77	R12	68
R5	78	R13	81
R6	87	R14	98
R7	80	R15	70
R8	54	--	--

#### Photometric Measurement - Sphere - Spectroradiometer Method

Parameter	Results		DLC V4.4 Pass Criteria	
Test Voltage (V)	120	277	--	
Frequency (Hz)	60	60		
Total Luminous (lm)	8265	8323	>=375 lm/ft (-10%)	
Luminous Efficacy (lm/W)	135.43	137.82	Standard: >=	Premium: >=
			105(-3%)	130(-3%)

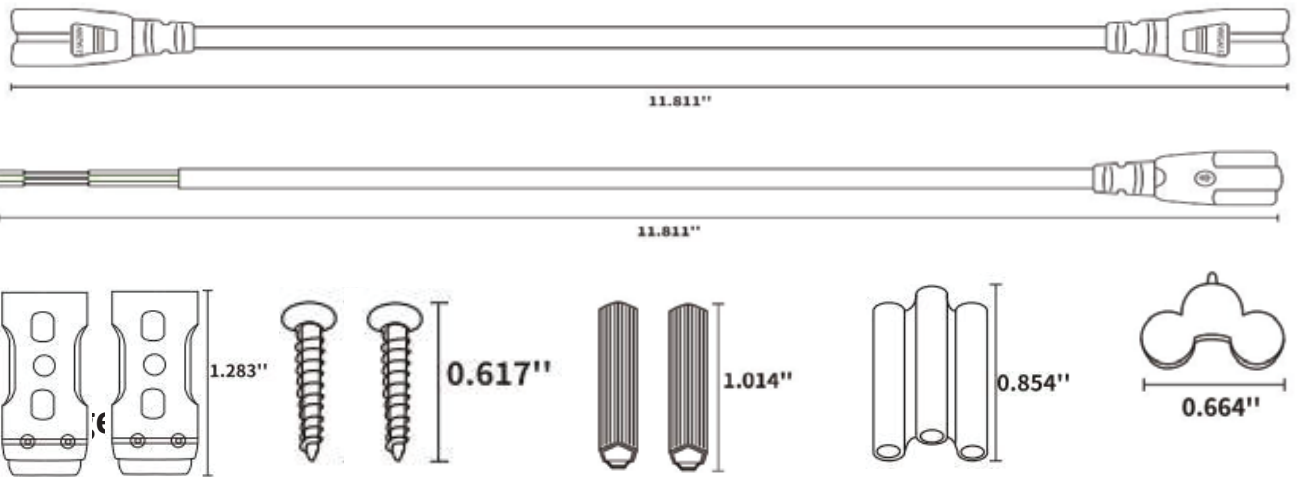


# YONAH™

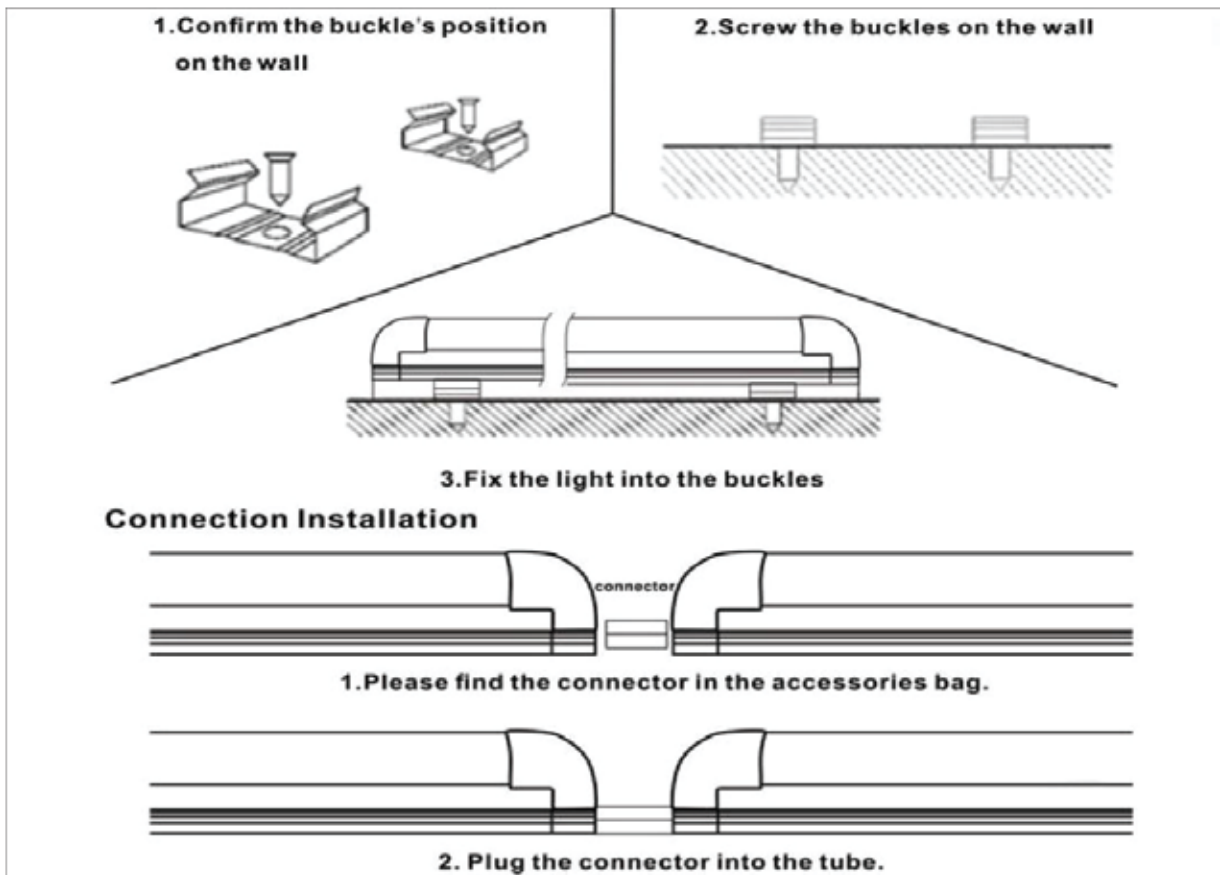
## 2nd Gen

### Installation

1. Standard accessories are given below:



2. Installation instruction:



# YONAH™

## 2nd Gen



### Packaging

SKU #	Size	Qty.	Box Dimension	Net Weight	Gross Weight
156744	4FT	20 Pcs/Box	49.21" x 8.66" x 7.87"	14.53 LBS	17.86 LBS
156777	4FT	20 Pcs/Box	49.21" x 8.66" x 7.87"	14.53 LBS	17.86 LBS
156778	8FT	20 Pcs/Box	95.28" x 8.27" x 7.48"	28.66 LBS	33.40 LBS
156811	8FT	20 Pcs/Box	95.28" x 8.27" x 7.48"	28.66 LBS	33.40 LBS



LED LINKABLE FIXTURES

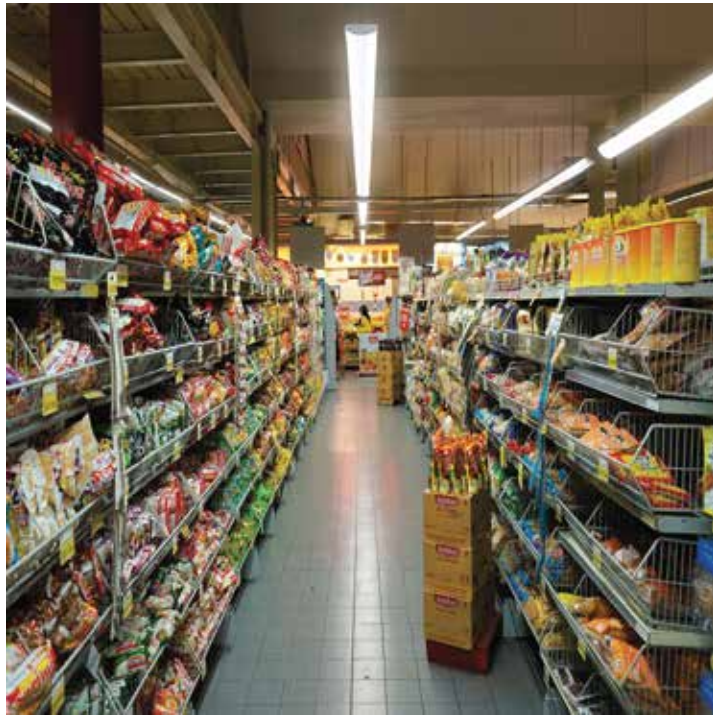




# YONAH™

## 2nd Gen

### Application Picture



### Warranty

5 Year Warranty

LED LINKABLE FIXTURES