



VISION™

Flat Linear Highbay



Beyond LED Technology VISION Flat Linear High Bay Light is ideal for all-in-one housing. The 2ft and 4ft high bay lights offer energy savings and maintenance-free longevity for various applications. Ideal for new construction or replacing T8/ T5 Tube light high-output fluorescent or 250–1000 watt metal halide lamps. This versatile light comes with wattage and 4000K/ 5000K CCT adjustable with White Metal housing, allowing for customized lighting solutions to meet specific needs. VISION Flat Linear High Bay fixture comes with optional sensor and emergency battery backups, as well as a motion sensor with networking wireless control. This versatile lighting solution is widely used in warehouses, storage facilities, industrial settings, retail centers, manufacturing plants, sports facilities, and gyms.

Product Features

- Up to 150 Lumens per watt
- Wattage Adjustable
- CCT Adjustable 4000K/5000K
- Beam Angle 120° Degree
- 0-10V Dimmable
- Optional Surface or Conduit Mount Kit
- Heavy duty thick gauge steel, rigidly designed to resist
- Input Voltage 120-277Vac & 50/60Hz
- UL & DLC Listed
- 5 Year warranty

VISION™

Flat Linear Highbay



SKU	Model #	Wattage	Lumens	CCT	Housing	Input Voltage	Lens	Size	Certifications
222104	X-LHBD2F(105/90/80)W-(40/50)KUV	80W/90W/105W	Max 15750Lm	4K / 5K	White	120-277V	Frosted	2FT	UL & DLC
222106	X-LHBD2F(165/140/130)W-(40/50)KUV	130W/140W/165W	Max 24750Lm	4K / 5K	White	120-277V	Frosted	2FT	UL & DLC
222103	X-LHBD4F(225/195/175)W-(40/50)KUV	175W/195W/225W	Max 33750Lm	4K / 5K	White	120-277V	Frosted	4FT	UL & DLC
222105	X-LHBD4F(300/260/230)W-(40/50)KUV	230W/260W/300W	Max 45000Lm	4K / 5K	White	120-277V	Frosted	4FT	UL & DLC
222089	XSU-LHB2P165-50K-LA-AA	165W	Max 24750Lm	5000K	White	120-277V	Frosted	2FT	UL & DLC
222088	XSU-LHB4P225-50K-LA-AA	225W	Max 33750Lm	5000K	White	120-277V	Frosted	4FT	UL & DLC

LED LINEAR HIGH BAY

Wattage & CCT Adjustable Capability

Power Setting

Size	Power Selection	Default Setting
2ft	Adjust power between 105/90/80W	105W
	Adjust power between 165/140/130W	165W
	Adjust power between 225/195/175W	225W
4ft	Adjust power between 165/140/130W	165W
	Adjust power between 225/195/175W	225W
	Adjust power between 300/260/230W	300W

CCT Setting
Adjust CCT between 4000/5000K, 5000K default setting.

Low
Medium
High

4000K
5000K



VISION™

Flat Linear Highbay

SKU: 222104 / 2FT

Specifications

Parameter	Description	Value
General Performance	Model #	X-LHBD2F(105/90/80)W-(40/50)KUV
	Wattage Adjustable	80W/90W/105W
	Lumen	15750LM
	Lumen Efficacy	Up to 150LM/W
	Color Temperature	4000K / 5000K
	CRI (Ra)	>80
	Beam Angle	120° Degree
	Diffuser Type	Frosted
Electrical	Input Voltage	120-277Vac
	Frequency	50/60Hz
	Dimming	0-10V
	Power Factor	≥0.9
	Driver Surge Protection	SPD:6KV
	Flicker Percent	Flicker Free
Physical	Operating Temperature	-40°C to 45°C
	Operating Humidity	10%RH-90%RH
	Storage Temperature	-40°C - 100°C
	Storage Humidity	-10°C - 65°C 10%RH - 90%RH
	LED Brand	Nationstar
	LED Type	SMD2835
	LED QTY	300 Pcs
	Housing	Metal Sheet
Housing Color	White	
Qualification	IP Rating	IP20
	Warranty	5 Year Warranty

VISION™

Flat Linear Highbay



SKU: 222106 / 2FT		Specifications
Parameter	Description	Value
General Performance	Model #	X-LHBD2F(165/140/130)W-(40/50)KUV
	Wattage Adjustable	130W/140W/165W
	Lumen	24750LM
	Lumen Efficacy	Up to 150LM/W
	Color Temperature	4000K / 5000K
	CRI (Ra)	>80
	Beam Angle	120° Degree
	Diffuser Type	Frosted
Electrical	Input Voltage	120-277Vac
	Frequency	50/60Hz
	Dimming	0-10V
	Power Factor	≥0.9
	Driver Surge Protection	SPD:6KV
	Flicker Percent	Flicker Free
Physical	Operating Temperature	-40°C to 45°C
	Operating Humidity	10%RH-90%RH
	Storage Temperature	-40°C - 100°C
	Storage Humidity	-10°C - 65°C 10%RH - 90%RH
	LED Brand	Nationstar
	LED Type	SMD2835
	LED QTY	416 Pcs
	Housing	Metal Sheet
Housing Color	White	
Qualification	IP Rating	IP20
	Warranty	5 Year Warranty

LED LINEAR HIGH BAY



VISION™

Flat Linear Highbay

SKU: 222103 / 2FT

Specifications

Parameter	Description	Value
General Performance	Model #	X-LHBD4F(225/195/175)W-(40/50)KUV
	Wattage Adjustable	175W/195W/225W
	Lumen	33750LM
	Lumen Efficacy	Up to 150LM/W
	Color Temperature	4000K / 5000K
	CRI (Ra)	>80
	Beam Angle	120° Degree
	Diffuser Type	Frosted
Electrical	Input Voltage	120-277Vac
	Frequency	50/60Hz
	Dimming	0-10V
	Power Factor	≥0.9
	Driver Surge Protection	SPD:6KV
	Flicker Percent	Flicker Free
Physical	Operating Temperature	-40°C to 45°C
	Operating Humidity	10%RH-90%RH
	Storage Temperature	-40°C - 100°C
	Storage Humidity	-10°C - 65°C 10%RH - 90%RH
	LED Brand	Nationstar
	LED Type	SMD2835
	LED QTY	600Pcs
	Housing	Metal Sheet
Housing Color	White	
Qualification	IP Rating	IP20
	Warranty	5 Year Warranty

VISION™

Flat Linear Highbay



SKU: 222105 / 4FT		Specifications
Parameter	Description	Value
General Performance	Model #	X-LHBD4F(300/260/230)W-(40/50)KUV
	Wattage Adjustable	230W/260W/300W
	Lumen	45000LM
	Lumen Efficacy	Up to 150LM/W
	Color Temperature	4000K / 5000K
	CRI (Ra)	>80
	Beam Angle	120° Degree
	Diffuser Type	Frosted
Electrical	Input Voltage	120-277Vac
	Frequency	50/60Hz
	Dimming	0-10V
	Power Factor	≥0.9
	Driver Surge Protection	SPD:6KV
	Flicker Percent	Flicker Free
Physical	Operating Temperature	-40°C to 45°C
	Operating Humidity	10%RH-90%RH
	Storage Temperature	-40°C - 100°C
	Storage Humidity	-10°C - 65°C 10%RH - 90%RH
	LED Brand	Nationstar
	LED Type	SMD2835
	LED QTY	784 Pcs
	Housing	Metal Sheet
Housing Color	White	
Qualification	IP Rating	IP20
	Warranty	5 Year Warranty



VISION™

Flat Linear Highbay

SKU: 222089 / 2FT

Specifications

Parameter	Description	Value
General Performance	Model #	XSY-LHB2P165-50K-LA-AA
	Wattage	165W
	Lumen	24750LM
	Lumen Efficacy	Up to 150LM/W
	Color Temperature	5000K
	CRI (Ra)	>80
	Beam Angle	120° Degree
	Diffuser Type	Frosted
Electrical	Input Voltage	120-277Vac
	Frequency	50/60Hz
	Dimming	0-10V
	Power Factor	≥0.9
	Driver Surge Protection	SPD:6KV
	Flicker Percent	Flicker Free
Physical	Operating Temperature	-40°C to 45°C
	Operating Humidity	10%RH-90%RH
	Storage Temperature	-40°C - 100°C
	Storage Humidity	-10°C - 65°C 10%RH - 90%RH
	LED Brand	Nationstar
	LED Type	SMD2835
	LED QTY	532 Pcs
	Housing	Metal Sheet
Housing Color	White	
Qualification	IP Rating	IP20
	Warranty	5 Year Warranty

VISION™

Flat Linear Highbay



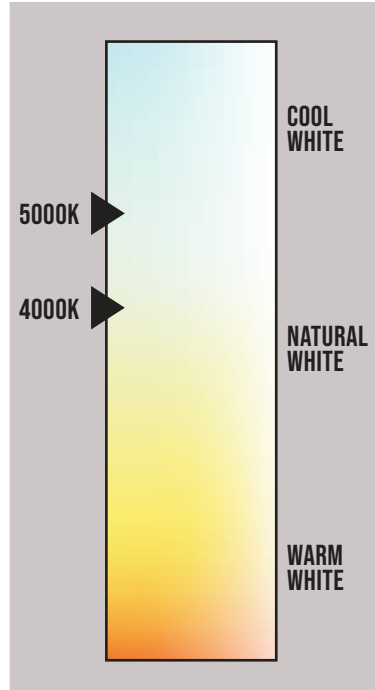
SKU: 222088 / 4FT		Specifications
Parameter	Description	Value
General Performance	Model #	XSY-LHB4P225-50K-LA-AA
	Wattage	225W
	Lumen	33750LM
	Lumen Efficacy	Up to 150LM/W
	Color Temperature	5000K
	CRI (Ra)	>80
	Beam Angle	120° Degree
	Diffuser Type	Frosted
Electrical	Input Voltage	120-277Vac
	Frequency	50/60Hz
	Dimming	0-10V
	Power Factor	≥0.9
	Driver Surge Protection	SPD:6KV
	Flicker Percent	Flicker Free
Physical	Operating Temperature	-40°C to 45°C
	Operating Humidity	10%RH-90%RH
	Storage Temperature	-40°C - 100°C
	Storage Humidity	-10°C - 65°C 10%RH - 90%RH
	LED Brand	Nationstar
	LED Type	SMD2835
	LED QTY	684 Pcs
	Housing	Metal Sheet
Housing Color	White	
Qualification	IP Rating	IP20
	Warranty	5 Year Warranty



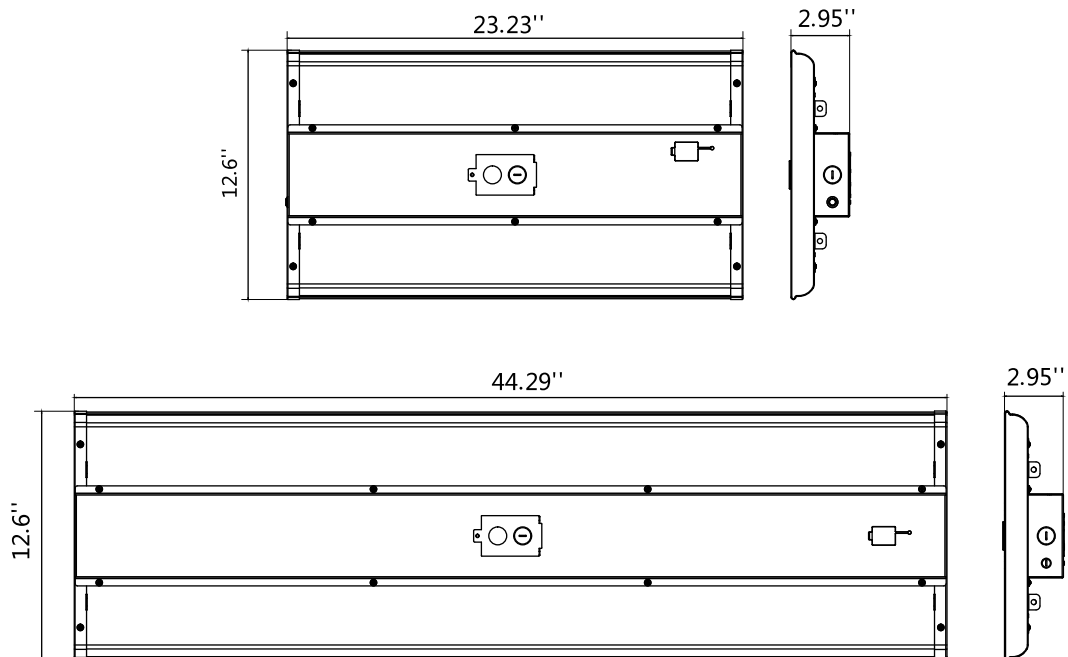
VISION™

Flat Linear Highbay

Correlated Color Temperature (CCT)



Dimensions



VISION™

Flat Linear Highbay




Optional Accessories

Sensor

Factory-Installable OR Field-Installable (field-installable purchased separately)



	<p>HD09VR-PH Screw-in PIR Sensor</p>		<p>HD09VR-PHB Screw-in PIR Sensor (Networking Wireless Control Version)</p>
---	---	---	--

Field-Installable / Field-Use ONLY (purchased separately)

	<p>HD06R Remote Control</p>
---	--

Emergency Battery Backup

Factory-Installable ONLY

	<p>XEBB022-20WDC Emergency battery backup EMB20U1-260 -20W/90min, for X-LHBD80W~225W, at AC120-277V/347V</p>		<p>XEBB023-30WDC Emergency battery backup EMB30U1-260 -30W/90min, for X-LHBD230W~300W, at AC120-277V/347V</p>
---	---	--	--

Mounts and Kits

Field-Installable / Field-Use ONLY (purchased separately)

	<p>XSPM-1.5M-A-LHB Suspension Mount - 1.5m hanging length 2pcs (Default Include)</p>		<p>X-LHBD-XSM-A Surface Mount for X-LHBD</p>
---	---	---	---



VISION™

Flat Linear Highbay

Installation

Upon receipt of fixture, thoroughly inspect for any freight damage. All damage should be reported to the delivery carrier. Compare the catalog description listed on the packing slip with the fixture label on the inside of the housing to be sure you have received the correct merchandise.

READ AND FOLLOW THESE SAFETY INSTRUCTIONS!

- To reduce the risk of death, personal injury or property damage from fire, electric shock, falling parts, cuts/abrasions, and other hazards please read all warnings and instructions included with and on the fixture box and all fixture labels.
- Before installing, servicing, or performing routine maintenance on this equipment, follow these general precautions.
- Commercial installation, service and maintenance of luminaires should be performed by a qualified licensed electrician.
- For Residential installation: If you are unsure about the installation or maintenance of the luminaires, consult a qualified licensed electrician and check your local electrical code.
- Maintenance of the luminaires should be performed by person(s) familiar with the luminaires' construction and operation and any hazards involved. Regular fixture maintenance programs are recommended.
- This fixture is intended to be connected to a properly installed and grounded UL listed junction box.
- It will occasionally be necessary to clean the outside of the refractor/lens. Refractor/lens should be washed in a solution of warm water and any mild, non-abrasive household detergent, rinsed with clean water and wiped dry. Should optical assembly become dirty on the inside, wipe refractor/lens and clean in above manner, replacing damaged gaskets as necessary.
- DO NOT INSTALL DAMAGED PRODUCT! This luminaire has been properly packed so that no parts should have been damaged during transit. Inspect to confirm.
- Any part damaged or broken during or after assembly should be replaced.
- These instructions do not purport to cover all details or variations in equipment nor to provide every possible contingency to meet in connection with installation, operation, or maintenance. Should further information be desired or should particular problems arise which are not covered sufficiently for the purchaser's or owner's purposes, this matter should be referred to manufacturer.

WARNING

RISK OF ELECTRIC SHOCK

- Disconnect or turn off power before installation or servicing.
- Verify that supply voltage is correct by comparing it with the luminaire label information.
- Make all electrical and grounded connections in accordance with the National Electrical Code (NEC) and any applicable local code requirements.
- All wiring connections should be capped with UL approved wire connectors.

VISION™

Flat Linear Highbay



Installation

CAUTION RISK OF INJURY

- Wear gloves and safety glasses at all times when removing luminaire from carton, installing, servicing or performing maintenance.
- Avoid direct eye exposure to the light source while it is on.

WARNING RISK OF BURN

- Allow lamp/fixture to cool before handling. Do not touch enclosure, lens or light source.
- Do not exceed maximum wattage marked on luminaire label.
- Follow all manufacturer's warnings, recommendations and restrictions including but not limited to: driver type, mounting locations/methods, replacement and recycling.
- Use only lamps that comply with ANSI standards.

CAUTION RISK OF FIRE

- Keep combustible and other materials that can burn, away from lamp/lens.
- Do not operate in close proximity to persons, combustible materials, or substances affected by heat.

CAUTION

RISK OF PRODUCT DAMAGE

- Never connect components under load.
- Do not mount or support these fixtures in a manner that can cut the outer jacket or damaged wire insulation. Unless individual product specifications deem otherwise: Never connect an LED product directly to dimmer packs, occupancy sensors, timing devices, or other control devices. LED fixtures must be powered directly off a switched circuit.
- Unless individual product specifications deem otherwise: Do not restrict fixture ventilation. Allow for some volume of airspace around the fixture. Avoid covering LED fixtures with insulation, foam, or other material that will prevent convection or cooling.
- Unless individual product specifications deem otherwise: Do not exceed fixtures' maximum ambient temperature.
- Only use the fixture in its intended location.
- LED products are polarity sensitive. Ensure proper polarity before installation.
- Electrostatic Discharge (ESD): ESD can damage LED fixtures. Personal grounding equipment must be worn during all installation or servicing of the unit.
- Do not touch individual electrical components as this can cause ESD, shorten lamp life, or alter performance.
- Some components inside the fixture may not be serviceable. If your unit requires service, stop using the unit immediately and contact a manufacture representative for assistance.
- Changes or modifications not expressly approved by manufacturer will void the product warranty.
- Always read the fixtures' complete installation instructions prior to installation for any additional fixture-specific warnings.



VISION™

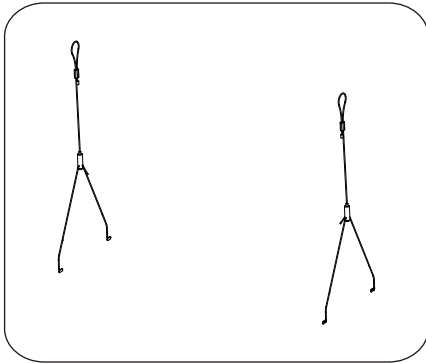
Flat Linear Highbay

Installation

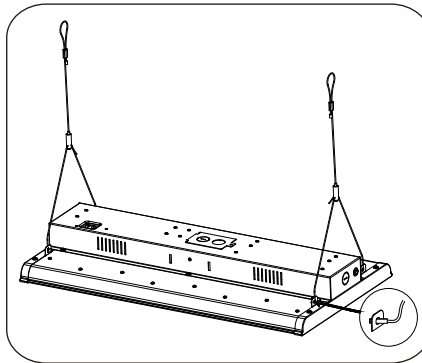
Package

1. LED Linear High Bay Light
2. Installation Instruction.
3. Installation hardware.

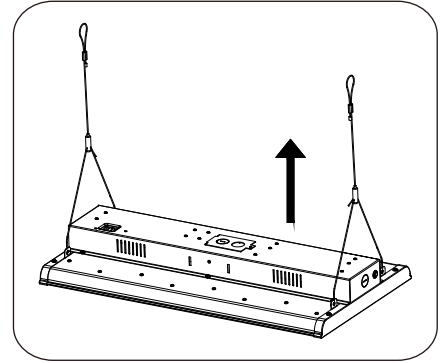
- Chain Mounted



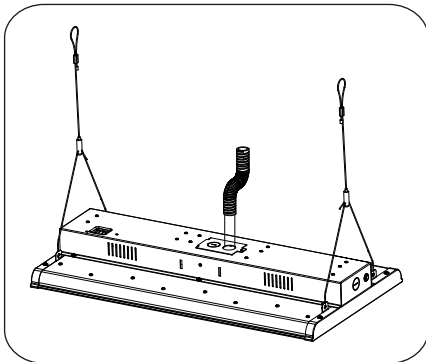
1. Cut off the power first, then hook the chain as above picture.



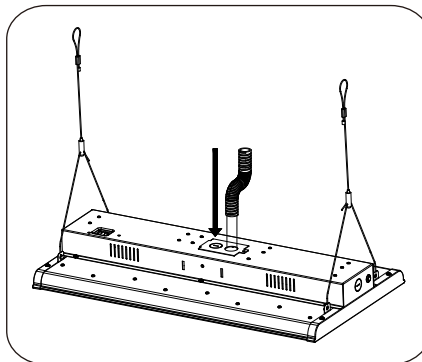
2. Insert the hook into the slotted holes as shown above.



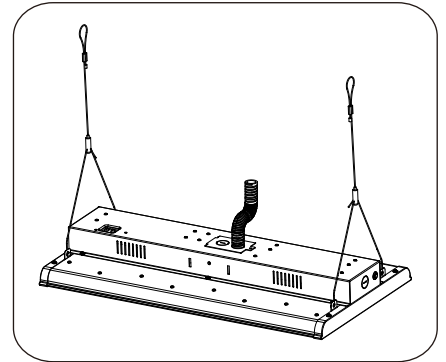
3. Hook up the chain on the ceiling anchor.



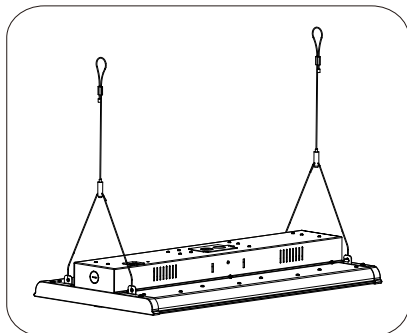
4. Make wiring connections with terminal cap (see wiring diagram below).



5. Insert the terminal cap and wire into the driver box.



6. Insert the wire terminal joint to the wire entry.



7. Make the fixture at the same level. Installation complete.

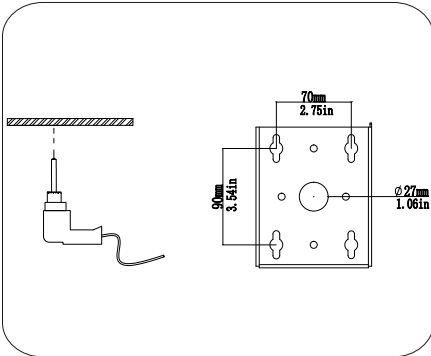
VISION™

Flat Linear Highbay

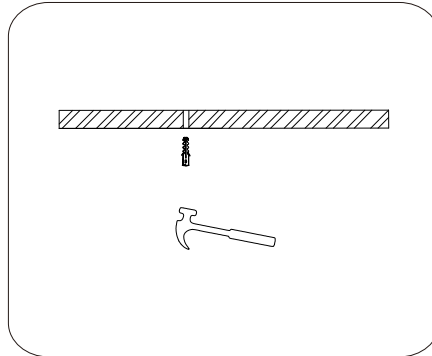


Installation

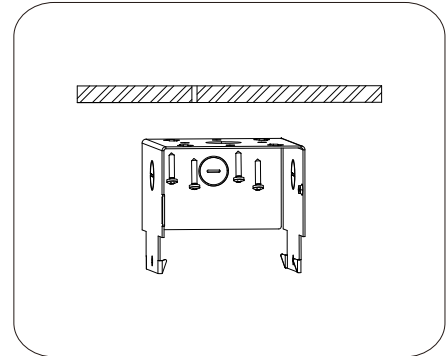
● Surface Mounted



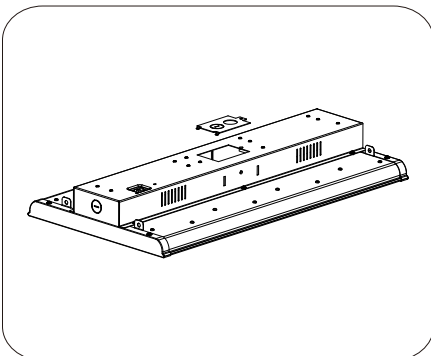
1. Drill the hole according to the size of the bracket and insert the plastic expansion tube.



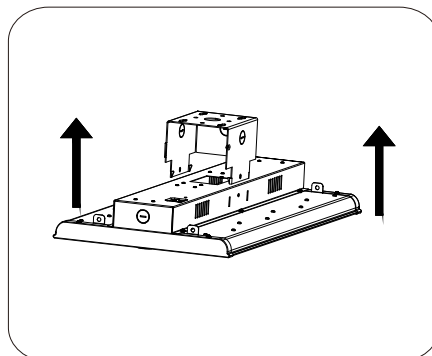
2. Use a hammer to drive the nylon expansion tube into the drilled hole on the wall.



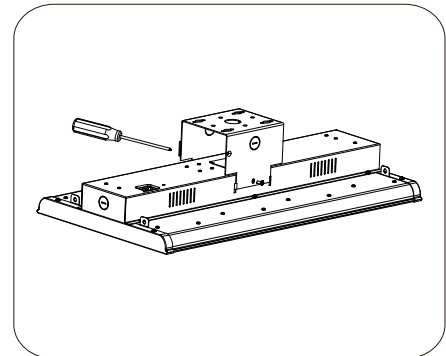
3. Use the tool to open 4 holes at the top, and then fix the ceiling bracket.



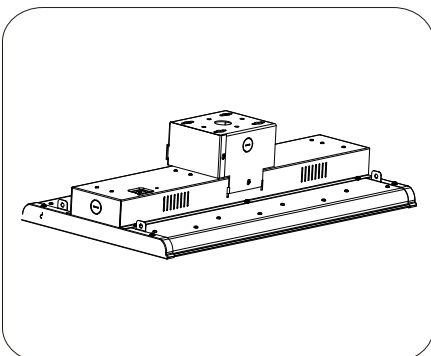
4. Remove the iron piece for easy wiring



5. Lift the lamp into the bracket, align the side holes.



6. Lock the M5 screws. Wiring L, N, E into the terminal block. Fasten the two end caps on the ceiling bracket and lock the M4 screw 1pcs.



7. Close the cover and tighten the screws. Check if the assembly is installed and then power on.

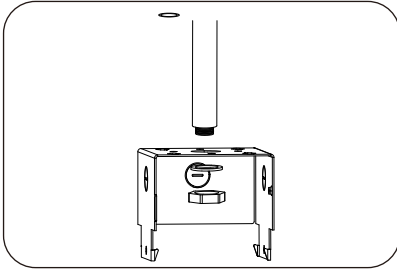


VISION™

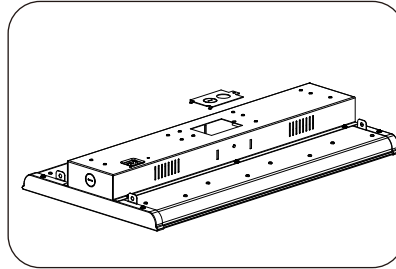
Flat Linear Highbay

Installation

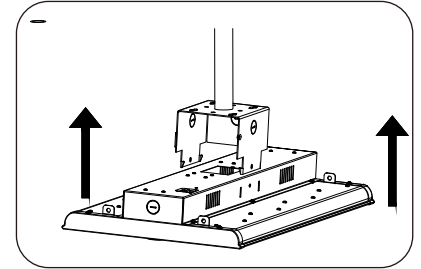
● Conduit Mounted



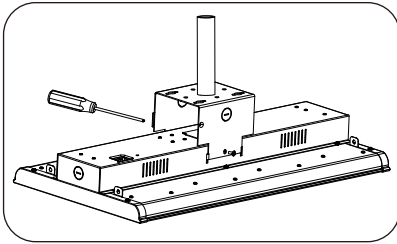
1. Thread the 3/4 inch conduit into the hole of upper box, and screw the nut at end.



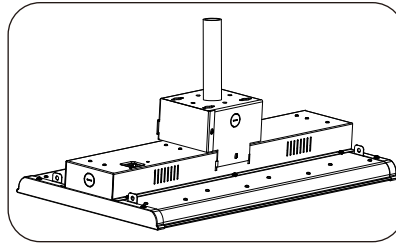
2. Remove the iron piece for easy wiring



3. Lift the lamp into the bracket, align the side holes.



4. Lock the M5 screws. Wiring L, N, E into the terminal block. Fasten the two end caps on the ceiling bracket and lock the M4 screw 1 pcs.

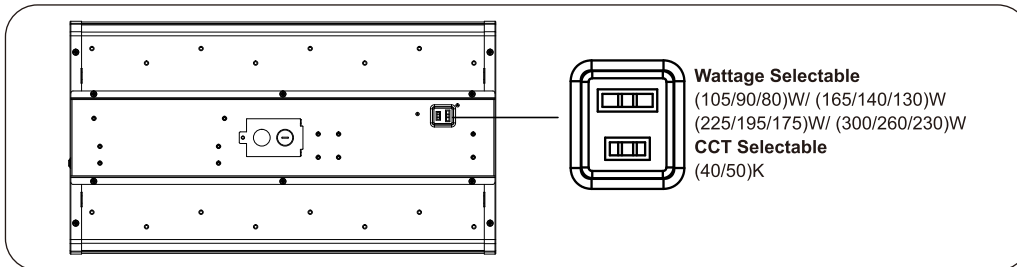


5. Close the cover and tighten the screws. Check if the assembly is installed and then power on.

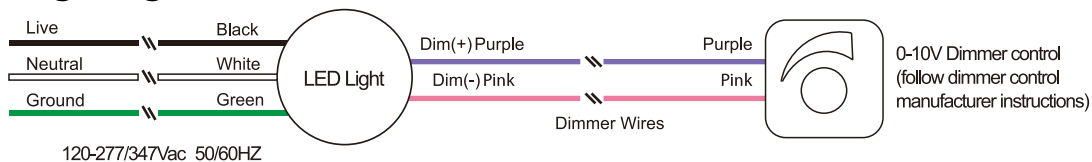
TROUBLESHOOTING

1. Check that the line voltage at the fixture is correct. Refer to wiring directions.
2. Is the fixture grounded properly.
3. Be sure the photocell, if used, is functioning properly.

Wattage & CCT Selectable



Wiring Diagram



VISION™

Flat Linear Highbay



Packaging

SKU	Type	Carton Size (Inches)	Qty./Box	Net Weight	Gross Weight
222104	Outer Box	25.20 x 7.68 x 14.96	2 Pcs/Box	13.5 LBS	15.43 LBS
222106	Outer Box	25.20 x 7.68 x 14.96	2 Pcs/Box	13.5 LBS	15.45 LBS
222103	Outer Box	46.26 x 7.68 x 14.96	2 Pcs/Box	21.6 LBS	25.73 LBS
222105	Outer Box	25.20 x 7.68 x 14.96	2 Pcs/Box	21.7 LBS	25.97 LBS
222089	Outer Box	49.21 x 9.45 x 15.75	2 Pcs/Box	17.9 LBS	20.9 LBS
222088	Outer Box	25.98 x 9.45 x 15.75	2 Pcs/Box	31 LBS	34.24 LBS



VISION™

Flat Linear Highbay

Application



Warranty

5 Years Warranty

LED LINEAR HIGH BAY