



# ARCADIA™

## BUBBLE



Beyond LED Technology's New Arcadia High-Bay is the newest and most feature rich product of 2022. This Arcadia fixture offers High Lumens per Watt for maximum savings and rebates. The Arcadia High Bay is built to last with standard 4kv surge protection, 113°F ambient temperature rating, and IP65 rating for elimination of dust, moisture, and airborne contaminants. The unique easy connect driver to optical assembly interface allows for quick and easy maintenance for applications including warehousing, gymnasiums, manufacturing, and outdoor canopies. Our Arcadia High Bay is fully ready to integrate with most smart control systems.

### Product Features

- Up to 170 Lumens per watt
- CCT 5000K
- Ultra thin Sleek Design
- 0-10V Dimming capability
- Optional Plug and Play Motion Sensor
- Optional U Shaped Bracket
- IP65 water, dust, corrosion proof
- Optional Emergency backup
- Universal 120-277Vac
- UL & DLC Listed

# ARCADIA™

## BUBBLE



SKU #	Model #	Watt	Lumens	CCT	Housing Color	Dimming	CRI	Input Voltage	Certification
154307	ZPS-GC377-150W.V7-50K-E1-D3-M1-CM-90-L70	150W	25500Lm	5000K	Black	0-10V	>80	100-277Vac	UL & DLC
154308	ZPS-GC377-240W.V2-50K-E1-D3-M1-CM-90-L70	240W	40800Lm	5000K	Black	0-10V	>80	100-277Vac	UL & DLC

### SKU Number 154307 Specifications

Parameter	Description	Value
General Performance	Model #	ZPS-GC377-150W.V7-50K-E1-D3-M1-CM-90-L70
	Wattage	150W
	Lumen	Up to 25500LM
	Lumen Efficacy	Up to 170LM/W
	Color Temperature	5000K
	CRI (Ra)	>70
	Beam Angle	90° Degree
Electrical	Diffuser Type	PC Lens
	Input Voltage	100-277Vac
	Frequency	50/60Hz
	Dimming	0-10V Dimming Optional
	Power Factor	≥0.9
	Driver Surge Protection	L-N 4KV,L/N-G 6KV
Physical	Flicker Percent	<10%
	Operating Temperature	-40°C To 50°C (Without Sensor)
	Operating Humidity	90%RH
	Storage Temperature	-40°C To 70°C
	Storage Humidity	10% - 98% RH
	LED Brand	SMD2835
	LED Type	PC Lens, Frosted
	LED QTY	380 PCS
	Housing	Lamp Body Material
Housing Color	Black	
Qualification	IP Rating	IP65
	Warranty	5 Years



# ARCADIA™

## BUBBLE

SKU Number 154308

### Specifications

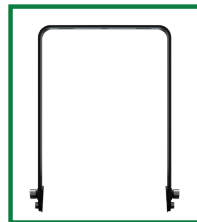
Parameter	Description	Value
General Performance	Model #	ZPS-GC377-240W.V2-50K-E1-D3-M1-CM-90-L70
	Wattage	240W
	Lumen	Up to 40800LM
	Lumen Efficacy	Up to 170LM/W
	Color Temperature	5000K
	CRI (Ra)	>70
	Beam Angle	90° Degree
	Diffuser Type	PC Lens
Electrical	Input Voltage	100-277Vac
	Frequency	50/60Hz
	Dimming	0-10V Dimming Optional
	Power Factor	≥0.9
	Driver Surge Protection	L-N 4KV,L/N-G 6KV
	Flicker Percent	<10%
	Operating Temperature	-40°C To 50°C (Without Sensor)
Physical	Operating Humidity	90%RH
	Storage Temperature	-40°C To 70°C
	Storage Humidity	10% - 98% RH
	LED Brand	SMD2835
	LED Type	PC Lens, Frosted
	LED QTY	608 PCS
	Housing	Lamp Body Material
	Housing Color	Black
	IP Rating	IP65
	Warranty	5 Years



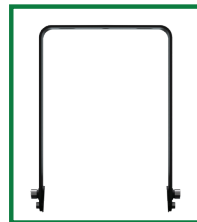
Optional Motion Sensor  
SKU: 154325



Motion Sensor Remote  
SKU: 154326



U Bracket 150W  
SKU: 154312



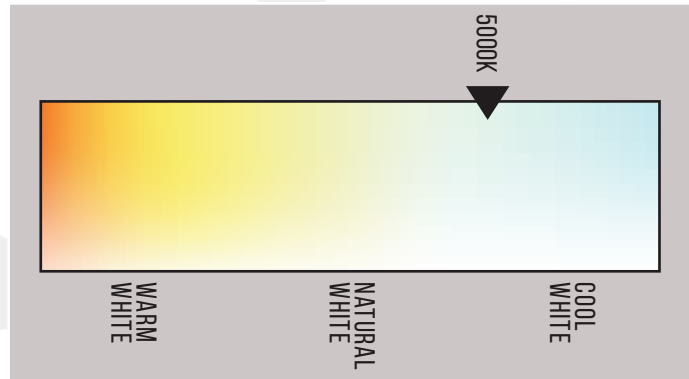
U Bracket 240W  
SKU: 154313

# ARCADIA™

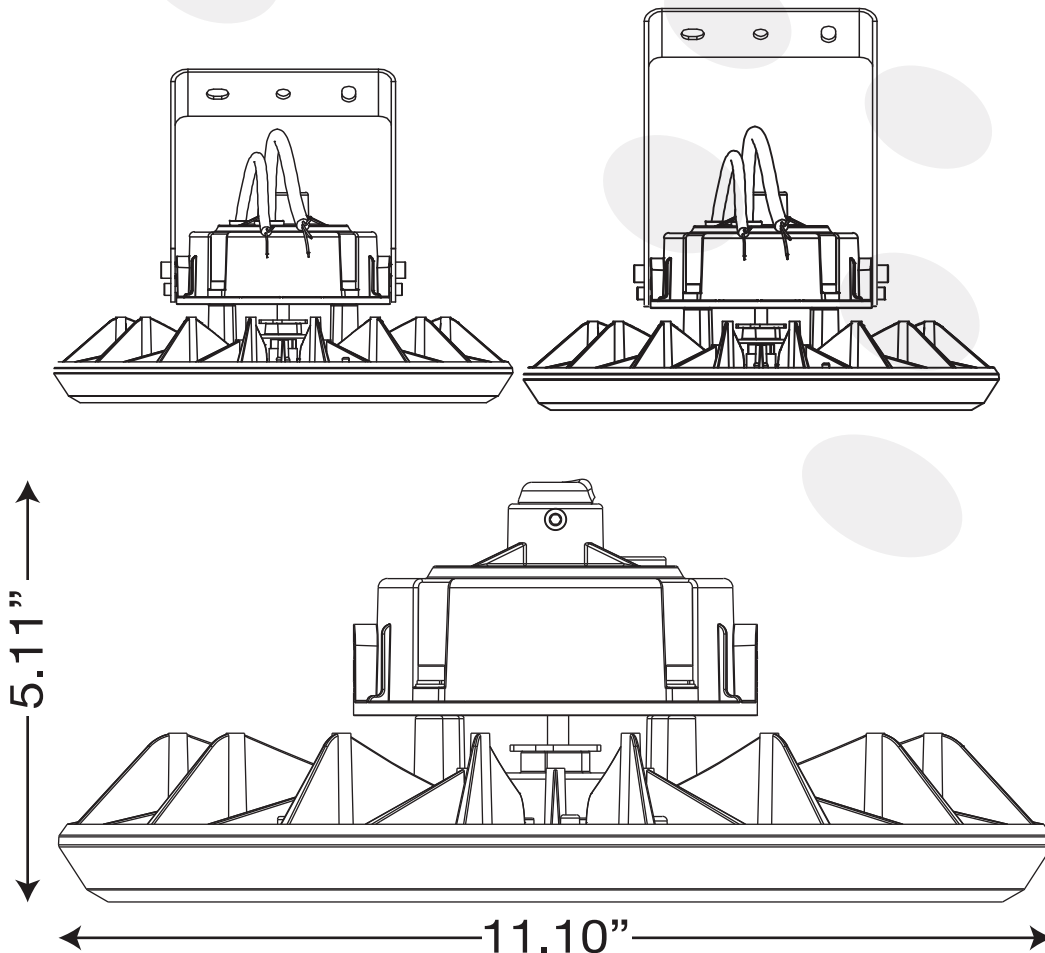
## BUBBLE



### Correlated Color Temperature (CCT)



### Dimensions







# ARCADIA™

## BUBBLE

### 3.0 LM-79 Measurement and Test Results

#### 3.1 Integrating Sphere Test

Model No.	ZPS-GC377-150W.V7-50K-E1-D3-M1-CM-90-L70	Sample ID.	4671540
Operate time (Min.)	55	Stabilization time (Min.)	50

#### Test Method

- 1.The sample was tested according to the IES LM-79-2008, and the product is assume to be brand new without seasoning.
- 2.Photometric paramters were measured using an integrating sphere, a spectroradiometer and software. The ambient temperature condition inside the sphere was maintained at 25° C ± 1° C.The reference standard lamp is power 100W omni-directional Incandescent lamp and was calibrated by National Institute of Metrology, China.
- 3.The sample measurements were made using a spectroradiometer connected by a fiber optic cable and detector through the detector port of the integrating sphere. Coating reflectance of the integrating sphere was 90% to 98%.Photometric measurement conditions was using 4π geometry.The self-absorption factor is applied in the final test result.The sample was operated at rated voltage and was stabilized before measurement. Chromaticity coordinates, correlated color temperature and color rendering index were calculated from the spectral radiant flux measurements taken at 5 nm intervals over the range of 380 to 780 nm.

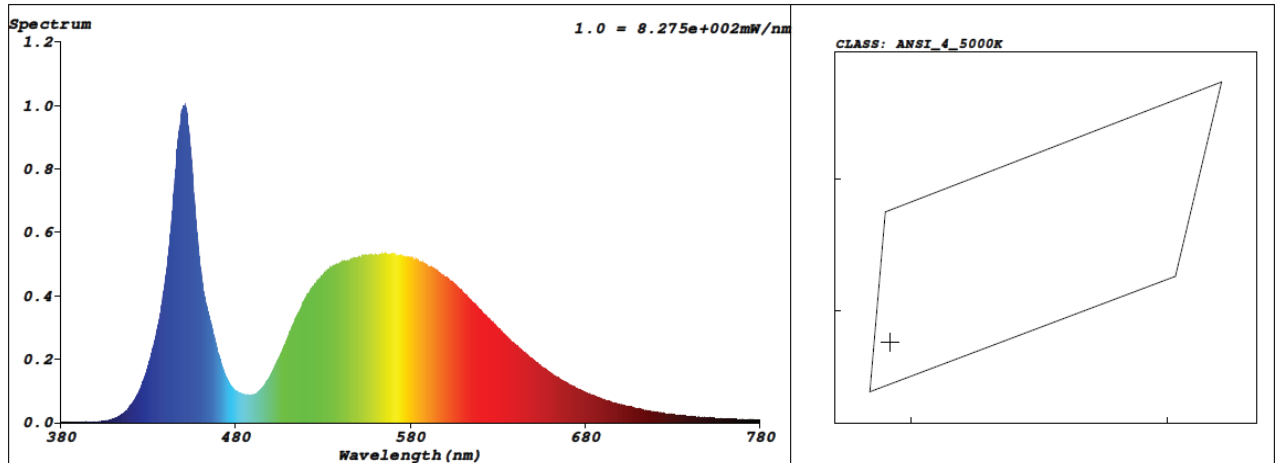
#### Integrating Sphere Test Conditions

Temperature (°C)	Voltage (Vac)	Frequency (Hz)	Current (A)	Power (W)	Power Factor	Orientation
25.1	119.90	60	1.257	150.5	0.9981	Horizontal

#### Test Results

CCT (K)	CRI (Ra)	R9	Rf	Rg	Luminous Flux (lm)	Luminous Efficacy (lm/W)
5226	72	-22	72	94	25587.00	170.01

#### Spectrum

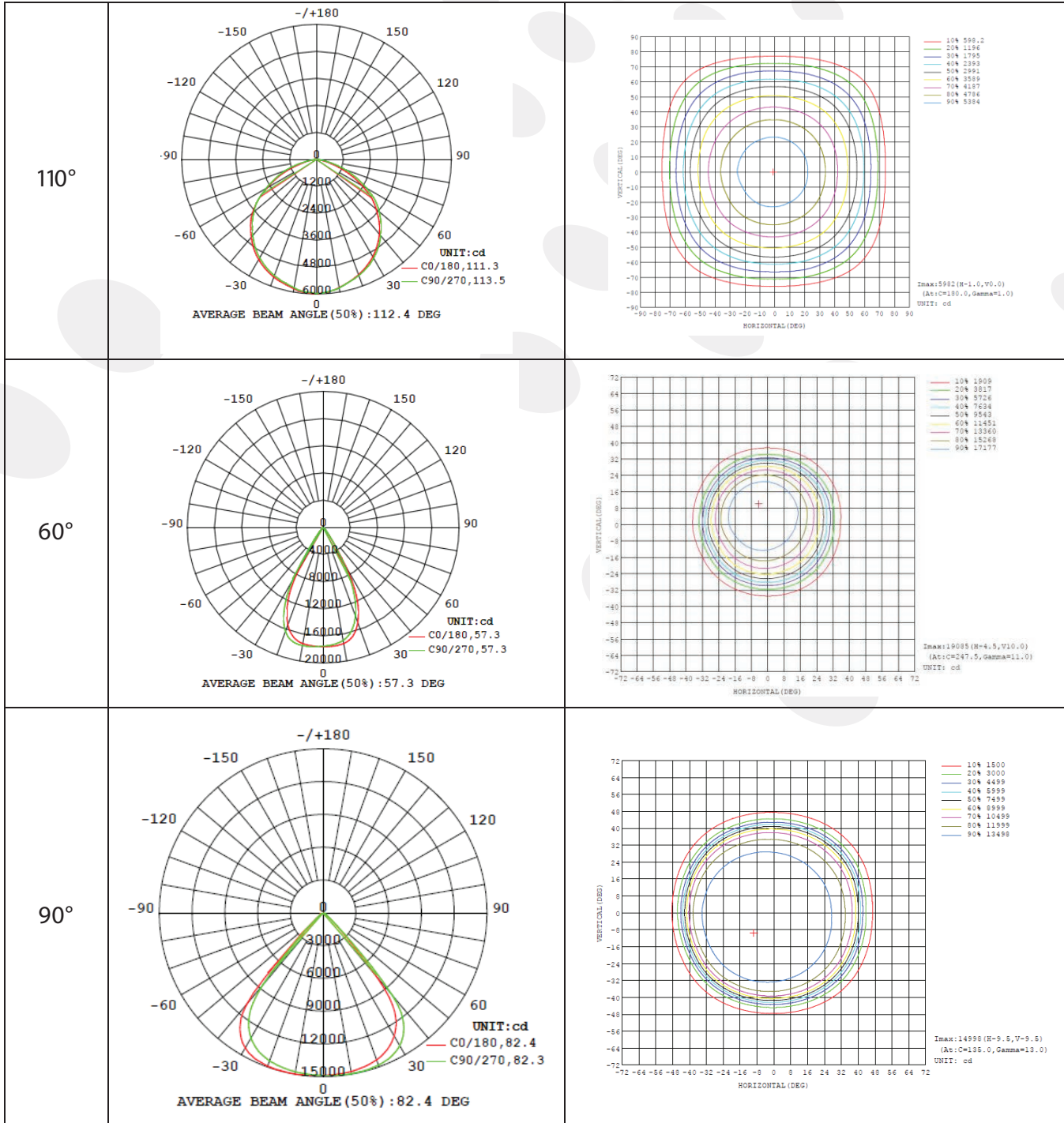


# ARCADIA™

## BUBBLE



### Light distribution Cruve/Spot



LED UFO HIGH BAY



# ARCADIA™

## BUBBLE

### 3.0 LM-79 Measurement and Test Results

#### 3.2 Goniophotometer Test

Model No.	ZPS-GC377-150W.V7-50K-E1-D3-M1-CM-90-L70	Sample ID.	4671540
Operate time (Min.)	60	Stabilization time (Min.)	50

#### Test Method

- 1.The sample was tested according to the IES LM-79-2008, and the product is assume to be brand new without seasoning.
- 2.Photometric paramters were measured using a type C goniophotometer and software.
- 3.The ambient temperature shall be maintained at 25° C ± 1° C, measured at a point not more than 1 m from the sample and at the same height as the sample. The reference standard lamp is power 1000W omni-directional Incandescent lamp and was calibrated by National Institute of Metrology, China.
- 4.The samples were operated at rated voltage and was stabilized before measurement. Luminous flux, luminaire efficacy, zonal lumen were calculated from the software taken at 1° vertical intervals and 22.5° horizontal intervals. Photometric distance was more than five times of the largest dimension of the test SSL product.

#### Goniophotometer Test Conditions

Temperature (°C)	Voltage (Vac)	Frequency (Hz)	Current (A)	Power (W)	Power Factor	Orientation
24.7	119.96	60	1.254	150.09	0.9983	Horizontal

#### Test Result

Zonal Lumen Requirement (20-50°)	Field Angle (10%)		Beam Angle (50%)		Flux (lm)	Luminous Efficacy (lm/W)
	Horizontal Spread	Vertical Spread	Horizontal Spread	Vertical Spread		
72.5%	95.8	95.6	82.9	82.6	25746.3	171.54

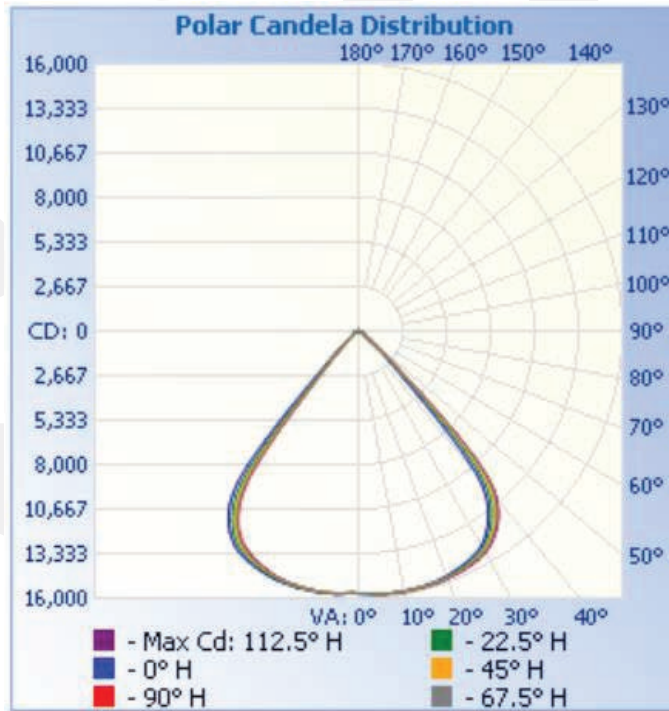
# ARCADIA™

## BUBBLE

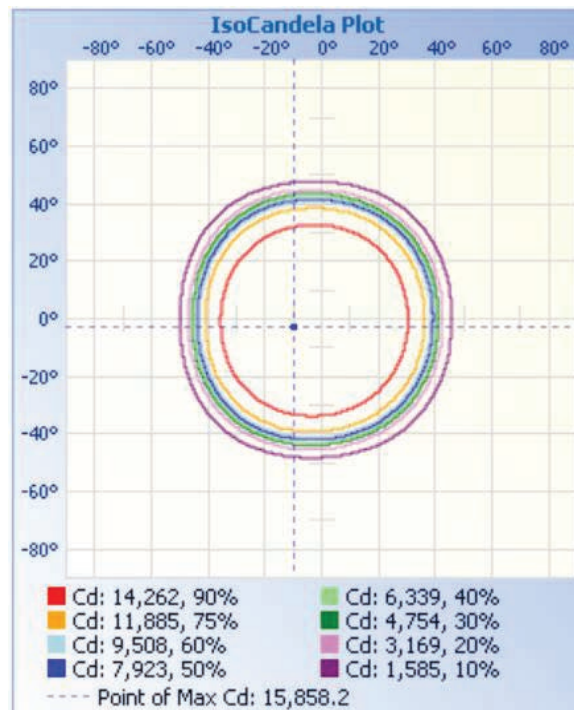


### 3.2 Goniophotometer Test (Cont'd)

Light Distribution Curve



IsoCandela Plot

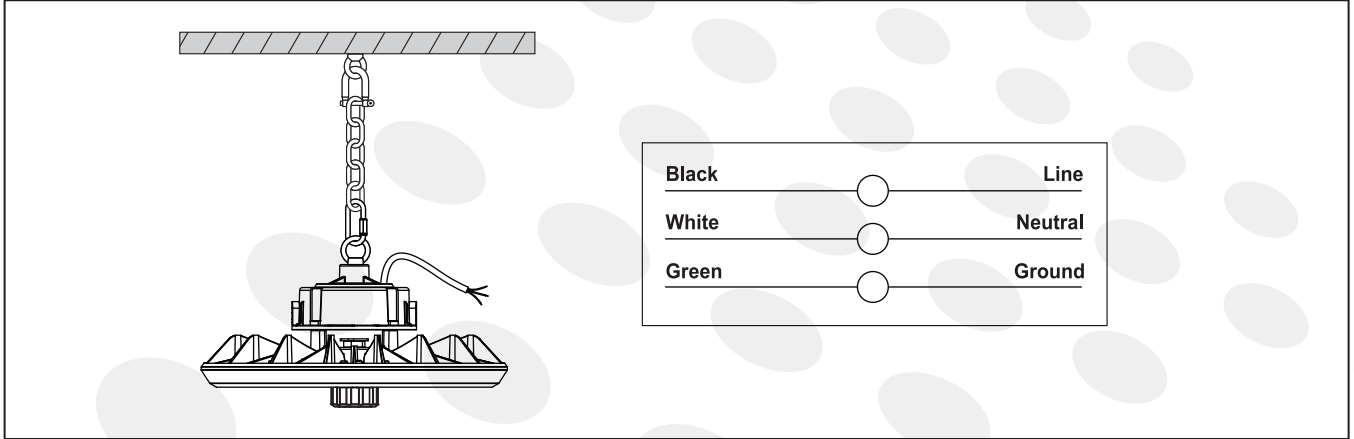




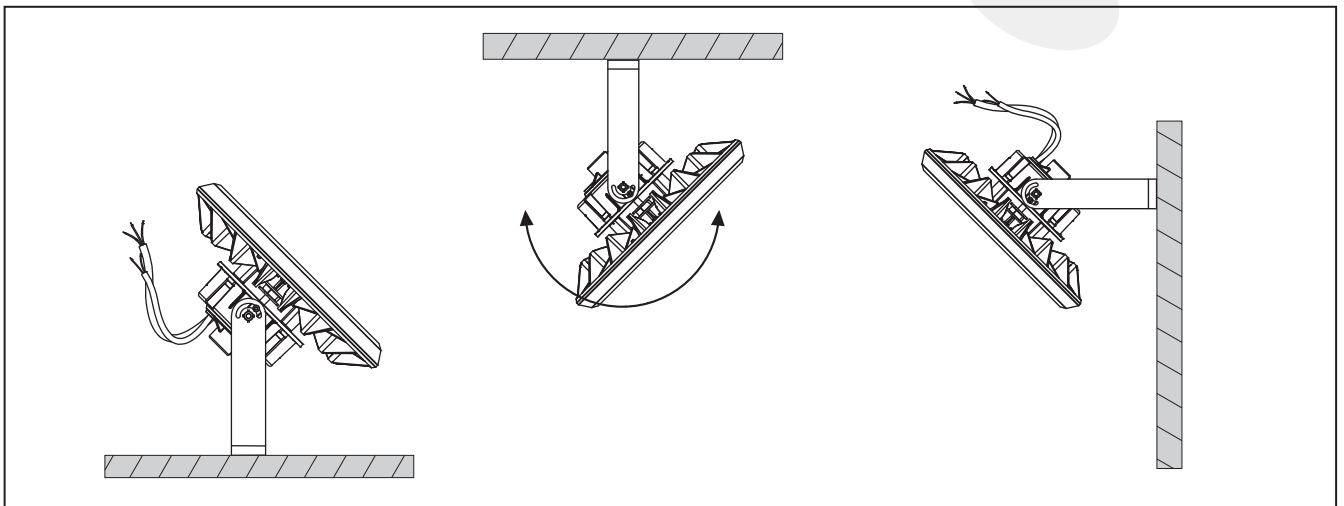
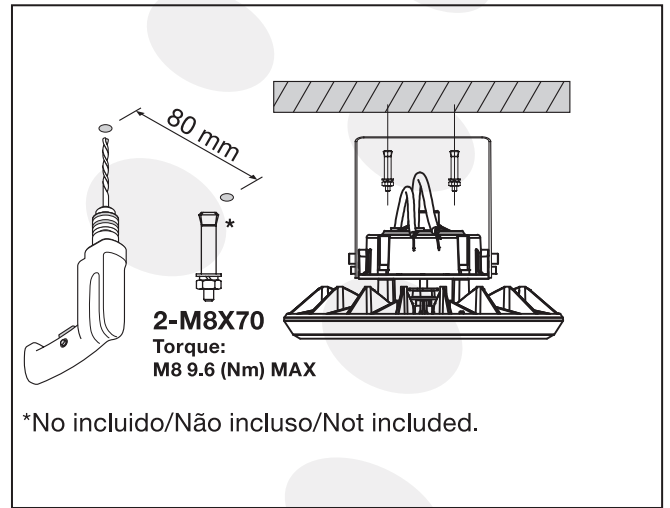
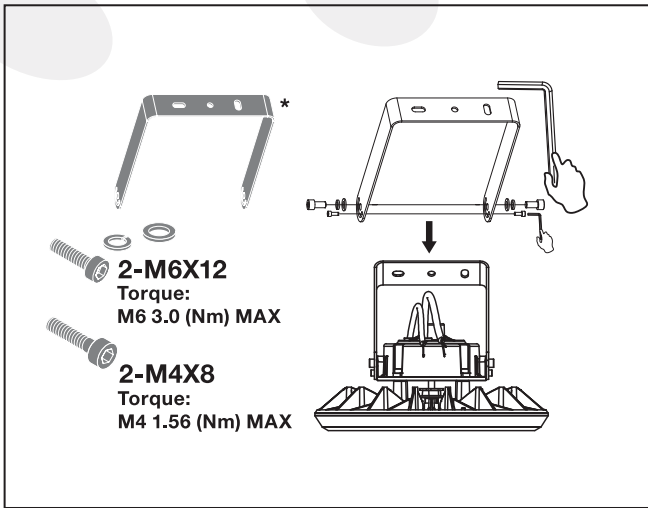
# ARCADIA™

## BUBBLE

### Installation Instructions



### [ Wall mounting ]

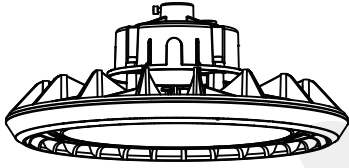


# ARCADIA™

## BUBBLE



### Installation Instructions



## LED HighBay

**SAVE THESE INSTRUCTIONS  
READ THOROUGHLY BEFORE INSTALLATION**

**WARNING!** Fixtures must be grounded and installed in accordance with the National Electrical Code and all local codes. Failure to do so may increase the **RISK OF PERSONAL INJURY, PROPERTY DAMAGE, FIRE AND DEATH.** Install and use so fixture failures do not cause a hazard and use only in environments for which the product is specifically marked. To avoid electric shock or component damage disconnect power before attempting installation or servicing.

**WARNING!** This product can expose you to chemicals including lead and lead compounds, which are known to the State of California to cause cancer and birth defects or other reproductive harm. For more information, go to: [www.P65Warnings.ca.gov](http://www.P65Warnings.ca.gov)

**WARNING!** Dangerous voltage exist within the unit and all precautions usually observed in handling high voltage equipment should be observed when replacing light engine or otherwise servicing luminaires. Disregarding this warning could result in electrical shock and possible injury to the individual installing or servicing this equipment. Installation and servicing should be done by qualified personnel.

**CAUTION!** Follow ALL luminaire recommendations, product markings, instructions, restrictions and warnings regarding luminaire operation and burning position. Luminaire label shows electrical and environmental requirements and restrictions.

**NOTE!** This luminaire is designed for outdoor lighting applications with ambient temperatures not exceeding 50°C (122°F). All electrical work must be done by a qualified electrician.

Turn off electric power to all affected circuits and allow to cool before installation or servicing.

A regularly scheduled maintenance program should be established to retain optimum light output and reduce heat retention. Dusting with a soft, clean, dry cloth is normally sufficient for the optical system. Any accumulation of dust or dirt should be removed regularly.

Carefully read these instructions before installing product.

Give instructions to facility owner/manager for future reference.

Model	W	K	Ø x H(mm)	ta(°C)
ZPS-GC377-150W.V7-xxK-Ex-D3-xx-CM-110-Lxx	150	3000/4000/5000	280x128	50
ZPS-GC377-150W.V7-xxK-Ex-D3-xx-CM-60/90-Lxx	150	3000/4000/5000	320x128	50
ZPS-GC377-240W.V2-xxK-Ex-D3-xx-CM-110-Lxx	240	3000/4000/5000	360x133	50
ZPS-GC377-240W.V2-xxK-Ex-D3-xx-CM-60/90-Lxx	240	3000/4000/5000	400x133	50

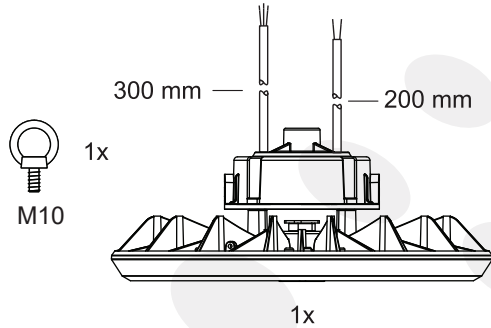




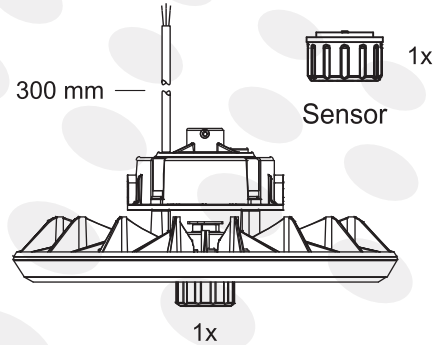
# ARCADIA™

## BUBBLE

### Installation Instructions



**1-10V Dimming Version**



**0-10V Sensor Version**

#### [ Chain Mount ]

##### STEP1:

Turn off power to electrical connections. Wiring must be performed by a qualified electrician. Remove housing along with hardware bag from packaging.

##### STEP2:

For Sensor version: open the middle black lid, and install sensor connection into luminaire in the direction shown.

##### STEP3:

Attach hook into threaded opening in the top of the housing. Lock the hook screw.

##### STEP4:

Hook highbay fixture to chain.

##### STEP5:

Finish wiring the fixture. There are 5 wires provided. Black wire (line voltage), White wire (Neutral), Green wire (ground), Grey/Pink wire is DIM(-) (1-10VDC dimming) if dimming is not desired cap this wire. Purple wire is DIM(+) (1-10VDC dimming) if dimming is not desired cap this wire.

#### [ Wall mounting ]

##### STEP1:

Turn off power to electrical connections. Wiring must be performed by a qualified electrician. Remove housing along with hardware bag from packaging.

##### STEP2:

For Sensor version: open the middle black lid, and install sensor connection into luminaire in the direction shown.

##### STEP3:

Drill holes according to the dimensions shown to fix expansion screws and fix the lamp to the wall.

##### STEP4:

Adjust the lamp Angle and tighten the bracket screws. (Sensor version can not adjust the Angle of the lamp)

##### STEP5:

Finish wiring the fixture. There are 5 wires provided. Black wire (line voltage), White wire (Neutral), Green wire (ground), Grey/Pink wire is DIM(-) (1-10VDC dimming) if dimming is not desired cap this wire. Purple wire is DIM(+) (1-10VDC dimming) if dimming is not desired cap this wire.

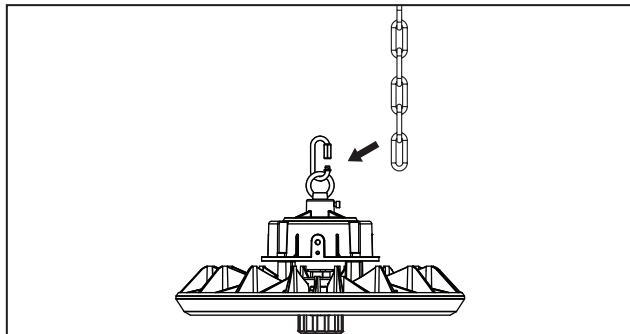
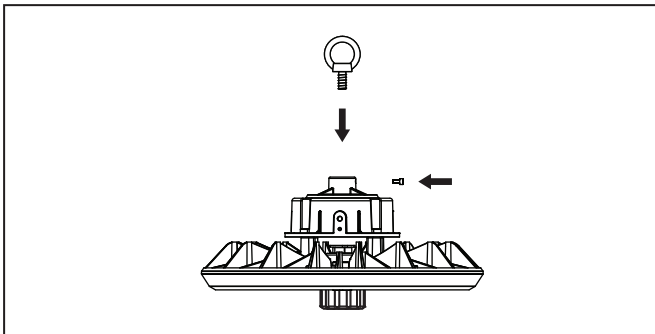
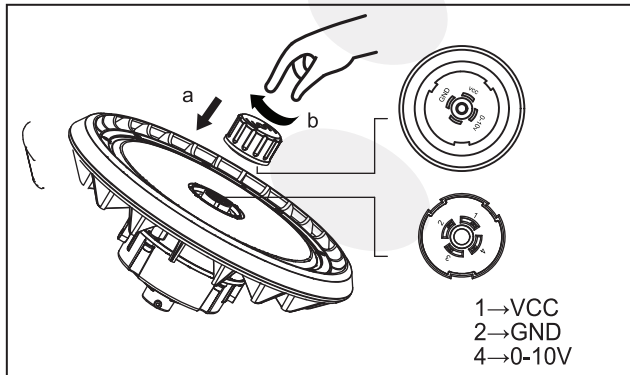
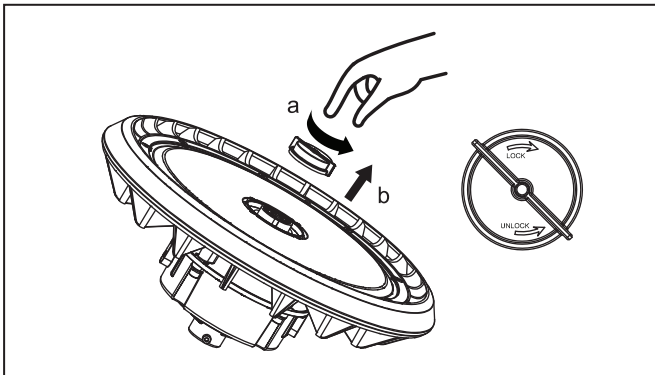
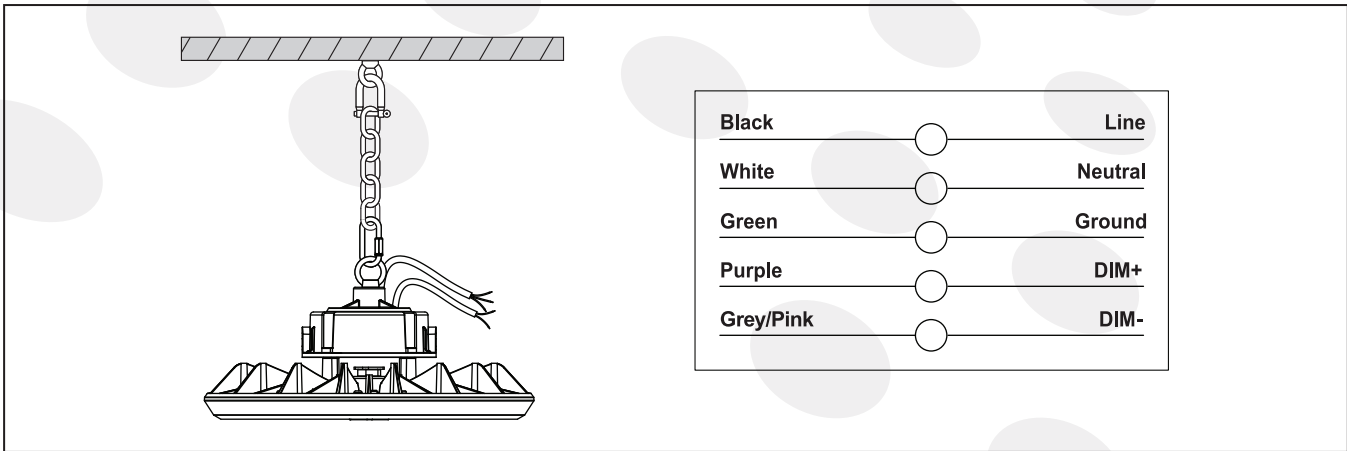
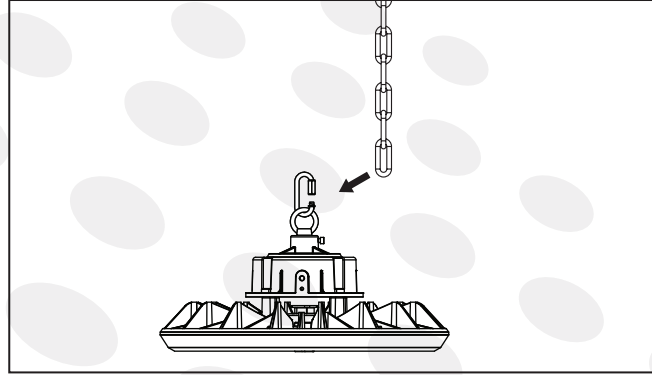
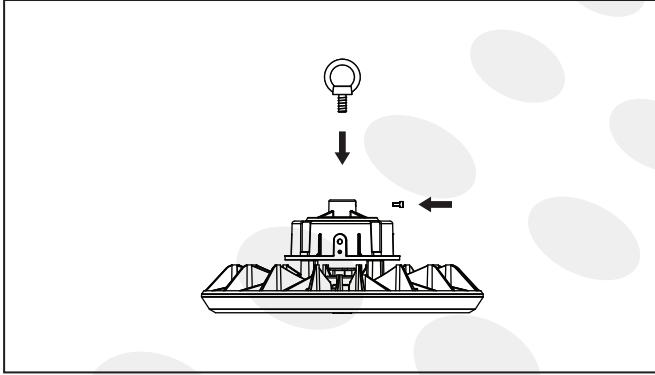
# ARCADIA™

## BUBBLE



### Installation Instructions

[ Chain Mount ]







# ARCADIA™

## BUBBLE

### Application Picture



### PACKAGE

SKU #	Carton Size Inches	Qty / Carton	Net Weight / Carton	Gross Weight / Carton
154307	14.37x6.73x14.88	1 PC	5.29LBS	6.48LBS
154308	17.91x7.48x18.43	1 PC	8.82LBS	11.88LBS

### Warranty

5 Years Warranty