



# TAURAS™



SKU: 154320

## Product Features

- Constant voltage design
- Universal AC input / Full range
- Small dimension, High efficiency, High reliability, Long lifetime
- Ip67 design for outdoor installation
- Working temperature: -25°C~+50°C
- Protections: Over temperature, Overload, Short-circuit, etc.
- Typical efficiency: 91%
- UL/FCC/IP67 certified, RoHS compliant
- 100% full load burn-in test.

SKU #	Model #	Watt	Input Voltage	Output Voltage	Max. Output Current	Environment	IP	Certifications
154320	VD-12200D00710	200-12W	100-240Vac	12V DC	16.67A	Outdoor	IP67	UL



## Specifications

Model #	VD-12200D0710	
Output	DC Voltage	12V
	Rated Current	16.67A
	Current Range	0-16.67A
	Wattage	200W
	Ripple and Noise(max.) Note4	120mVp-p
	Voltage Tolerance Note3	±4%
	Line Regulation	±1%
	Load Regulation	±2%
	Output Groups	2
	Set Up Time Note6	2000ms, 50ms(at full load) 110Vac/230Vac
	Holding Time (Typ.)	15ms(at full load) 110Vac/ 230Vac
Input	Voltage Range Note 2	90~264Vac or 127~374Vdc
	Frequency Range	47~63Hz
	Power Factor (Typ.)	PF≥0.50/110V(at full load) PF≥0.45/230V(at full load)
	Efficiency (Typ.)	88%
	AC current	3.1A/110Vac 1.6A/230Vac
	Inrush Current (Typ.)	Cold start: 60A/230Vac
	Leakage Current	<0.75mA/240Vac
Protection	Over Load	104%-120% of the rated output power. Protection mode: constant current limiting, recovers automatically after the load reduced.
	Short Circuit	Protection type: Hiccup mode, recovers automatically after fault conditions removed
	Over Voltage	13.0-18.0V Protection type: Hiccup mode, recovers automatically after fault conditions removed
Environment	Over Temperature	Ta:55°C~65°C Protection type: Shut down O/P voltage, recovers automatically after temperature goes down.
	Working Temperature	-25°C~+50°C
	Working Humidity	10%~90%RH, non-condensing
	Storage Temp. & Humidity	-25°C~+75°C, 5%~95%RH
	Temp. Coefficient	±0.05%/°C (0~50°C)
	Vibration	10-300Hz, 1G 10min./cycle, period for 60min. each along X, Y, Z axes



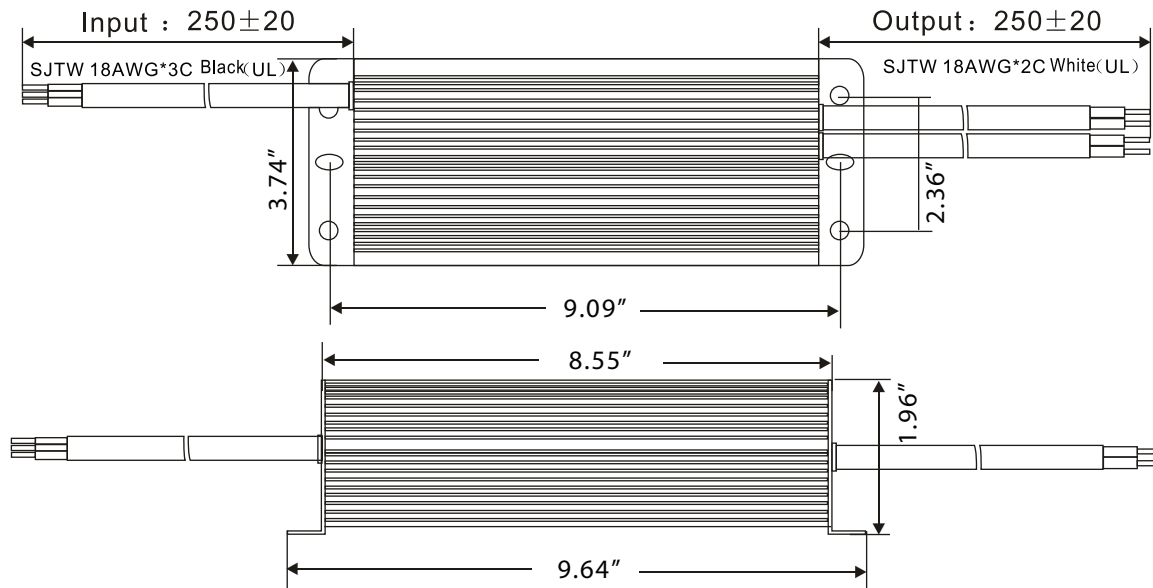
Safe & EMC	Safety Standards	Compliance to UL8750, UL60950, IP67 waterproof rating.
	Withstand Voltage	I/P-O/P: 3.75KVAC I/P-FG: 1.875KVAC O/P-FG: 0.5KVAC
	Insolation Resistance	I/P-O/P, I/P-FG, O/P-FG: 100Mohms/500Vdc 25°C/70%RH
	EMC Emission	/
	EMC Immunity	/
Others	MTBF	≥200Khrs, MIL-HDBK-217F(25oC)
	Product Dimension	9.64" X 3.74" X 1.96"
	Product Packaging	4.18 LBS/PCS, (10PCS, 41.88LBS)

## Note

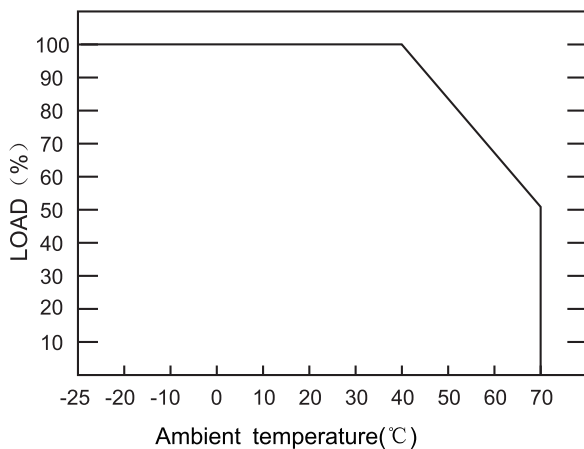
1. All parameters NOT specially mentioned are measured at 230VAC input, rated load and 25°C of ambient temperature.
2. Derating may be needed under low input voltages. Please check the static characteristics for more details.
3. Tolerance: includes set up tolerance, line regulation and load regulation.
4. Ripple & noise are measured at 20MHZ of bandwidth by using twisted pair-wire terminated with a 0.1uf & 47uf parallel capacitor.
5. The power supply is considered as a component that will be operated in combination with final equipment. Since EMC performance will be affected by the complete installation, the final equipment manufacturers must re-confirm EMC Directive on the complete installation.
6. The start time was tested under the situation of cold star, continuous switching on/off may raise the start time.



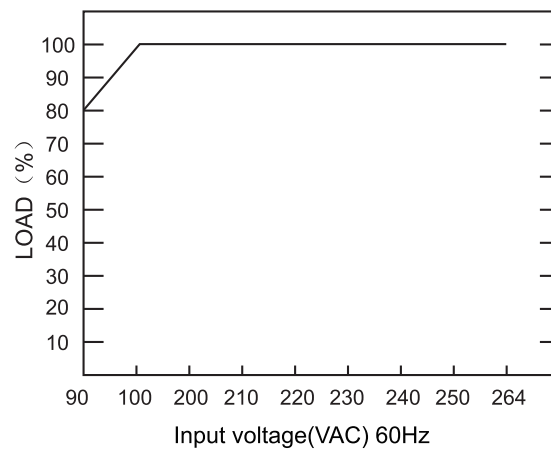
## Mechanical Specification



■ Derating Curve



■ Static Characteristics



## Package

SKU #	Carton (Inch)	Qty / Carton	Net Weight / Carton	Gross Weight / Carton
154320	13.38 x 12.00 x 11.49	8PCS		32.0 LBS

## Warranty

3 Years Warranty