



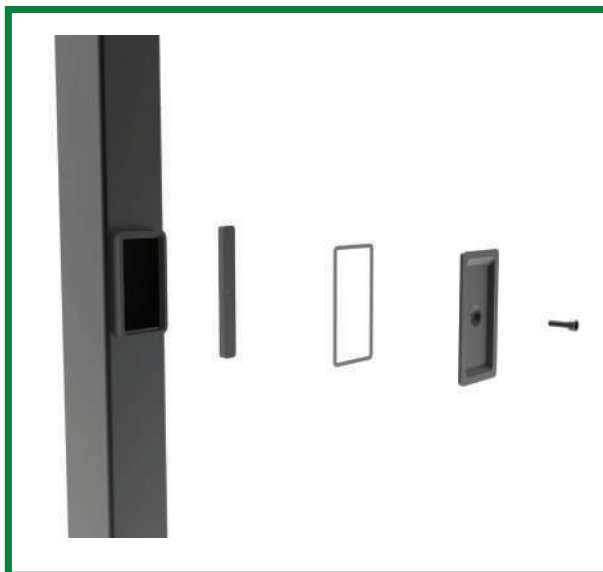
# SQUARE POLE™

SQUARE POLE



Beyond LED Technology's M45 Steel Pole is one-piece tube construction made from heavy duty welded steel offering high yield strength. Luminaires of various designs, primarily the side-mount luminaire arm assemblies can be easily attached with the steel pole. These poles have wide range of application from parking lots to roadways, and from streets to security applications. To ensure satisfactory performance of light poles it is necessary that the pole is properly attached to a supporting foundation of suitable design. Parts of the M45 Steel Pole have been detailed below:

**Pole Top Options:** A removable plastic pole cap is provided if the pole is drilled for attaching light fixtures. The drill pattern and drill orientation needs to be provided by the customers unless Energy Light Fixtures are used for the project. If a tenon option is selected, a steel tenon will be provided. A 23/8 inch diameter tenon with a 4 inch length is standard; however, the customers needs to confirm the appropriate tenon size required for the project.



# SQUARE POLE™



SKU #	BASE MODEL	NOMINAL MOUNTING HEIGHT	POLE DIMENSIONS				BASE PLATE		ANCHOR BOLTS	
			TOP SQ (IN)	BASE SQ (IN)	WALL THK (GA)	STRUCTURE WEIGHT (LBS)	BOLTCIRCLE DIA (IN)	SQ (IN) x THICK (IN)	DIA x LENGTH x HOOK (IN)	PROJECTION (IN)
153583	Square Pole 4 X 4 20FT	20FT	4	4	0.12"	145.50	0.98"	10.51x10.51"	0.71x27.56x3.15"	3.15"
153584	Square Pole 4 X 4 25FT	25FT	4	4	0.12"	176.37	0.98"	10.51x10.51"	0.71x27.56x3.15"	3.15"
153597	Square Pole 4 X 4 30FT	30FT	4	4	0.12"	207.23	0.98"	10.51x10.51"	0.71x27.56x3.15"	3.15"
155642	Square Pole 4 x 4 20FT	20FT	4	4	0.75"	138	0.75"	10.5 x 10.5"	0.75 X 30 X 4"	3.75"
155643	Square Pole 4 x 4 25FT	25FT	4	4	0.75"	240	0.75"	10.5 x 10.5"	0.75 x 30 x 4"	3.75"
156176	Square Pole 5 x 5 30FT	30FT	5	5	1"	280	1"	11 x 11"	1 x 36 x 4"	4.875"

## Maximum EPA with 1.3 Gust Factor

	20Ft	25FT	30FT
80 mph	9.6 Square Feet	9.6 Square Feet	
90 mph	8 Square Feet	8.3 Square Feet	10.35 Square Feet
100 mph	5.7 Square Feet	6 Square Feet	7.25 Square Feet
110 mph	4.3 Square Feet	4.25 Square Feet	4.9 Square Feet
120 mph	3.1 Square Feet	3 Square Feet	3.25 Square Feet



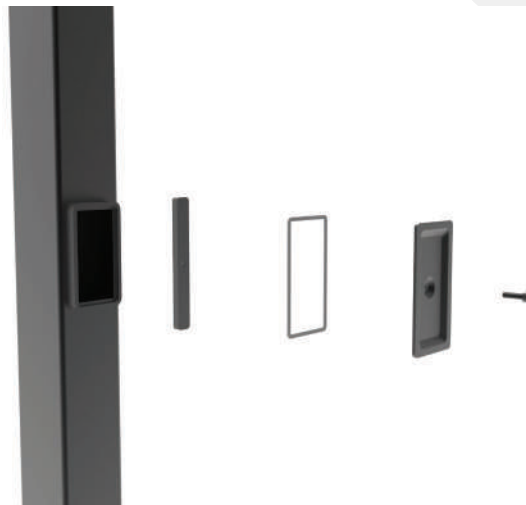
# SQUARE POLE™

## Product Features

**Pole Shaft:** Commercial quality welded steel tubing of 1 piece construction with a minimum yield strength of 55,000 psi is used to fabricate the pole shaft.



**Handhole:** 3 X 5 inches tall reinforced handhole is provided at 18 inches from the base. A cover with a single screw to secure the latch mechanism is also provided.

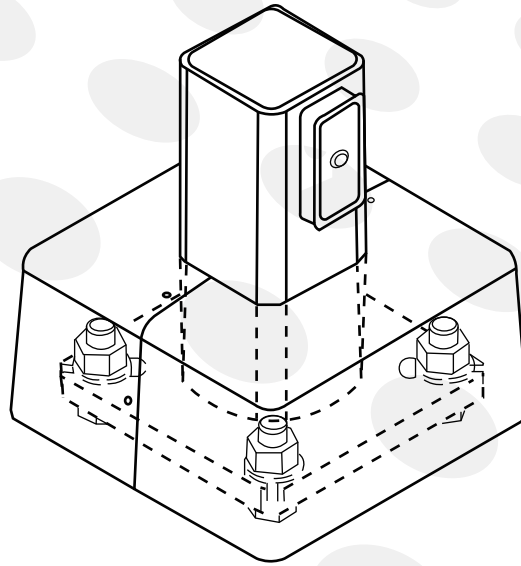


# SQUARE POLE™

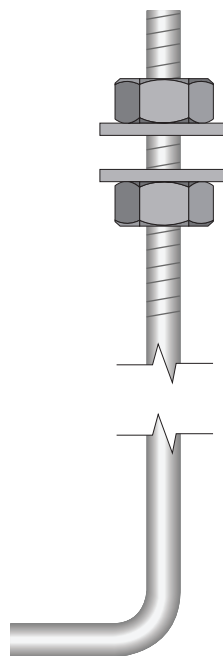


## Product Features

**Base Cover:** A 2 piece metal base cover is provided along with hardware to securely attach the 2 pieces together after pole installation.



**Anchor Bolts:** A set of 4 galvanized steel anchor bolts is provided with each pole assembly. Each bolt includes 2 nuts and 2 washers. A portion of the anchor bolt is threaded for securing and leveling the pole with the provided nuts and washers. An actual size paper anchor bolt template is included.





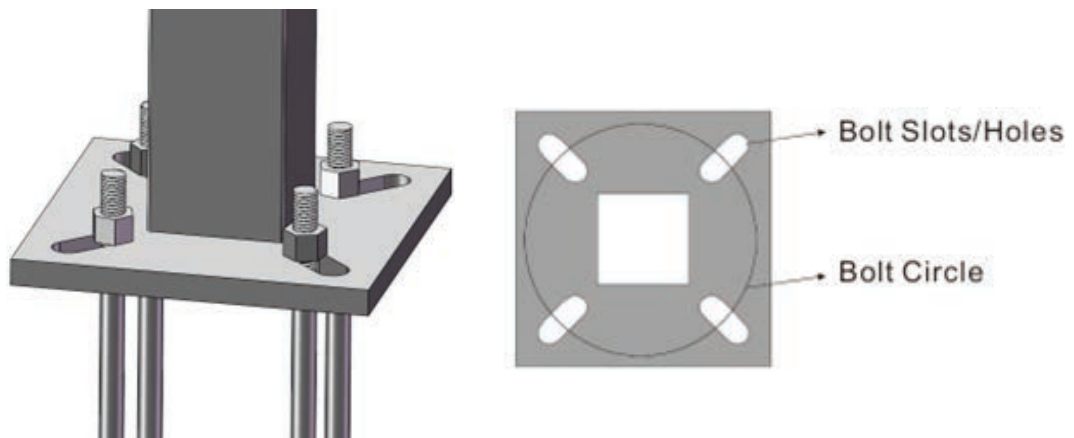
# SQUARE POLE™

## Product Features

**Base Cover:** A 2-piece ABS plastic base cover is provided. Plastic rivets are included to securely attach the 2 pieces together after pole installation.



**J-Type Anchor Bolts:** A set of 4 steel J-Type anchor bolts are provided with each pole assembly. Each bolt includes 2 nuts and 2 washers. A portion of the anchor bolt is threaded for securing and levelling the pole with the provided nuts and washers. An actual size paper anchor bolt template is also provided.



# SQUARE POLE™



## Product Features

Housing: M45 Steel Poles are available in bronze housing with base plate and J-Type Bolt, where all the structural fasteners are galvanized high strength carbon steel and all non-structural fasteners are galvanized or zinc-plated carbon steel or stainless steel.



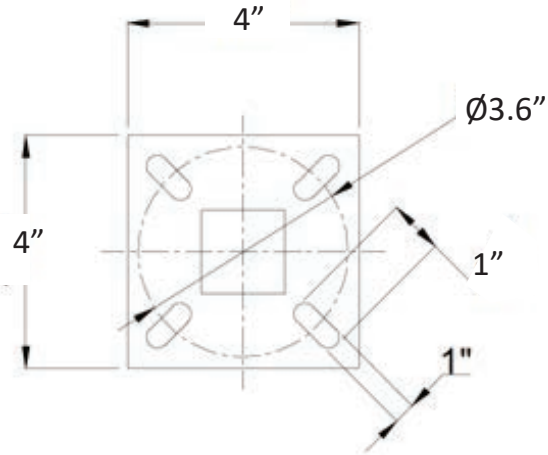
Design Criteria: Standard EPA (Effective Projected Area) and weight values are based on Standard Commercial Criteria (with 1.3 gust factor) for side mounted fixtures only. The Beyond LED Technology loading criteria for pole top mounted luminaires and/or brackets, along with pole accessories are provided below. To ensure satisfactory performance of light poles it is necessary that the pole is properly attached to a supporting foundation of suitable design.



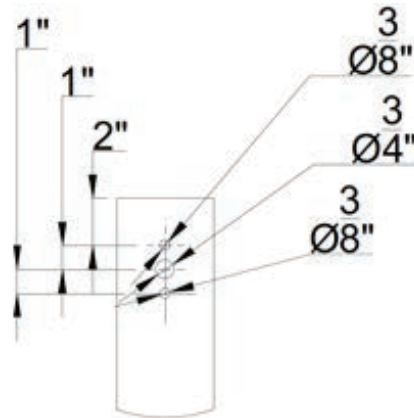
# SQUARE POLE™

## Dimensions

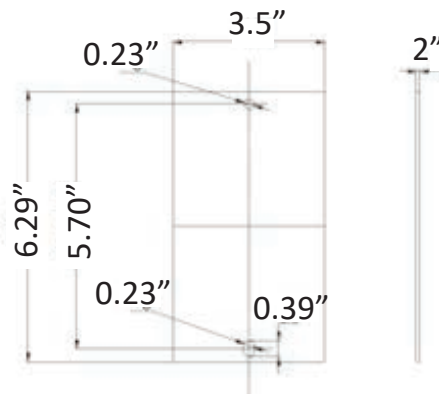
### Anchor Base



### Installation Holes



### Side Cover

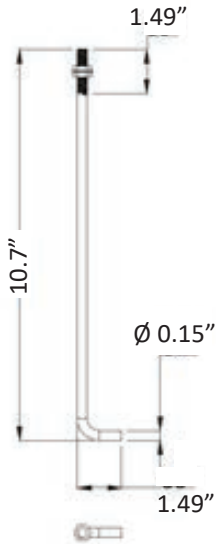


# SQUARE POLE™

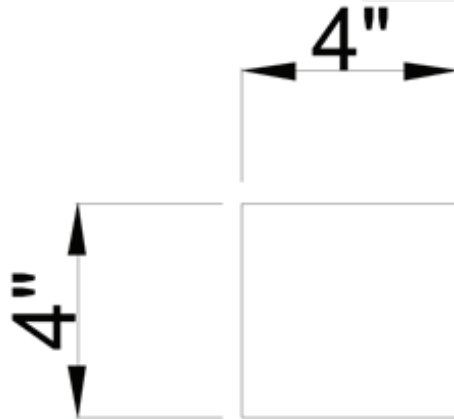


## Dimensions

### Anchor Bolts



### Pole Top

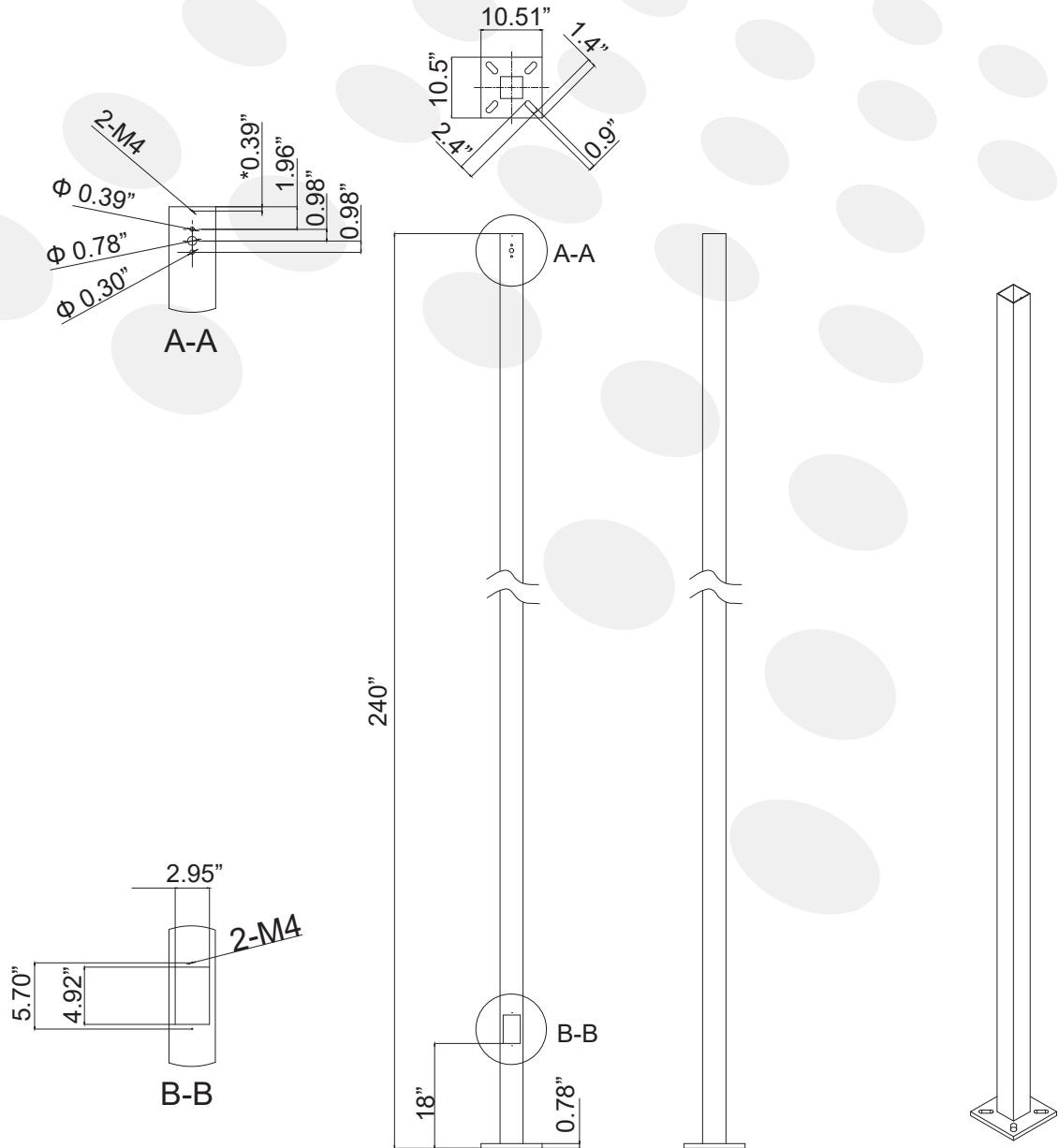






# SQUARE POLE™

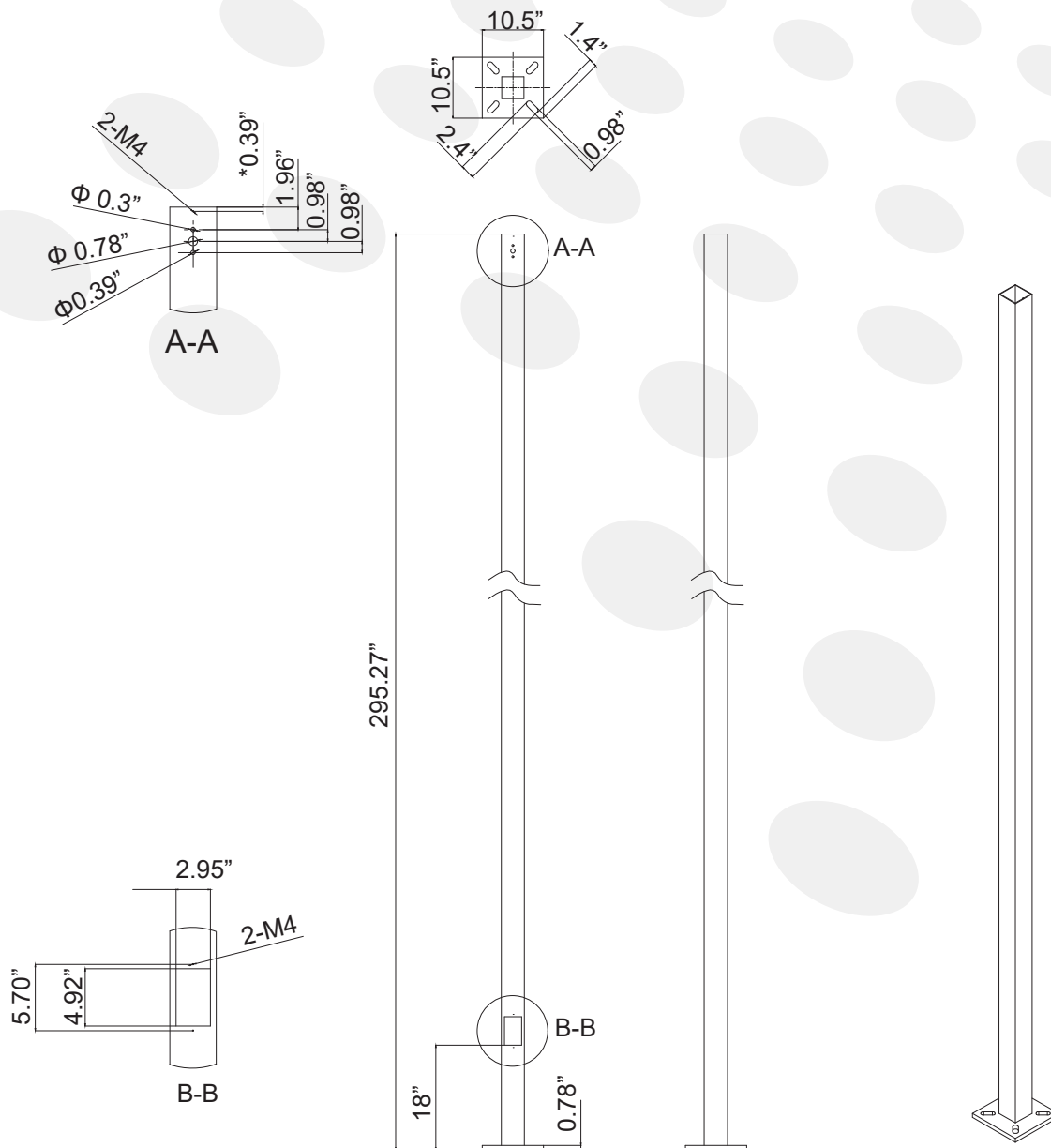
Dimensions of SKU # 153583



# SQUARE POLE™



## Dimensions of SKU # 153584

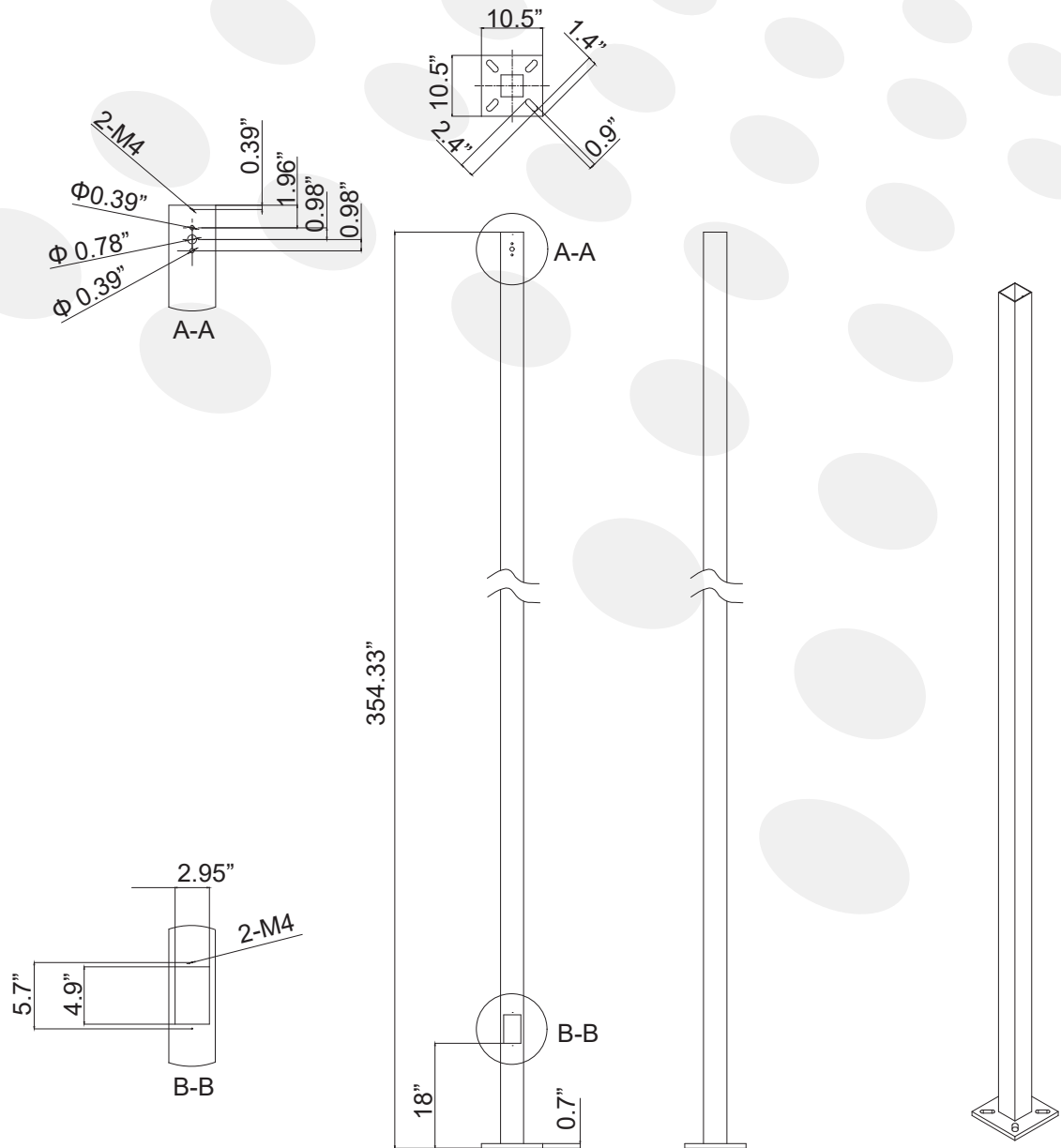


SQUARE POLE



# SQUARE POLE™

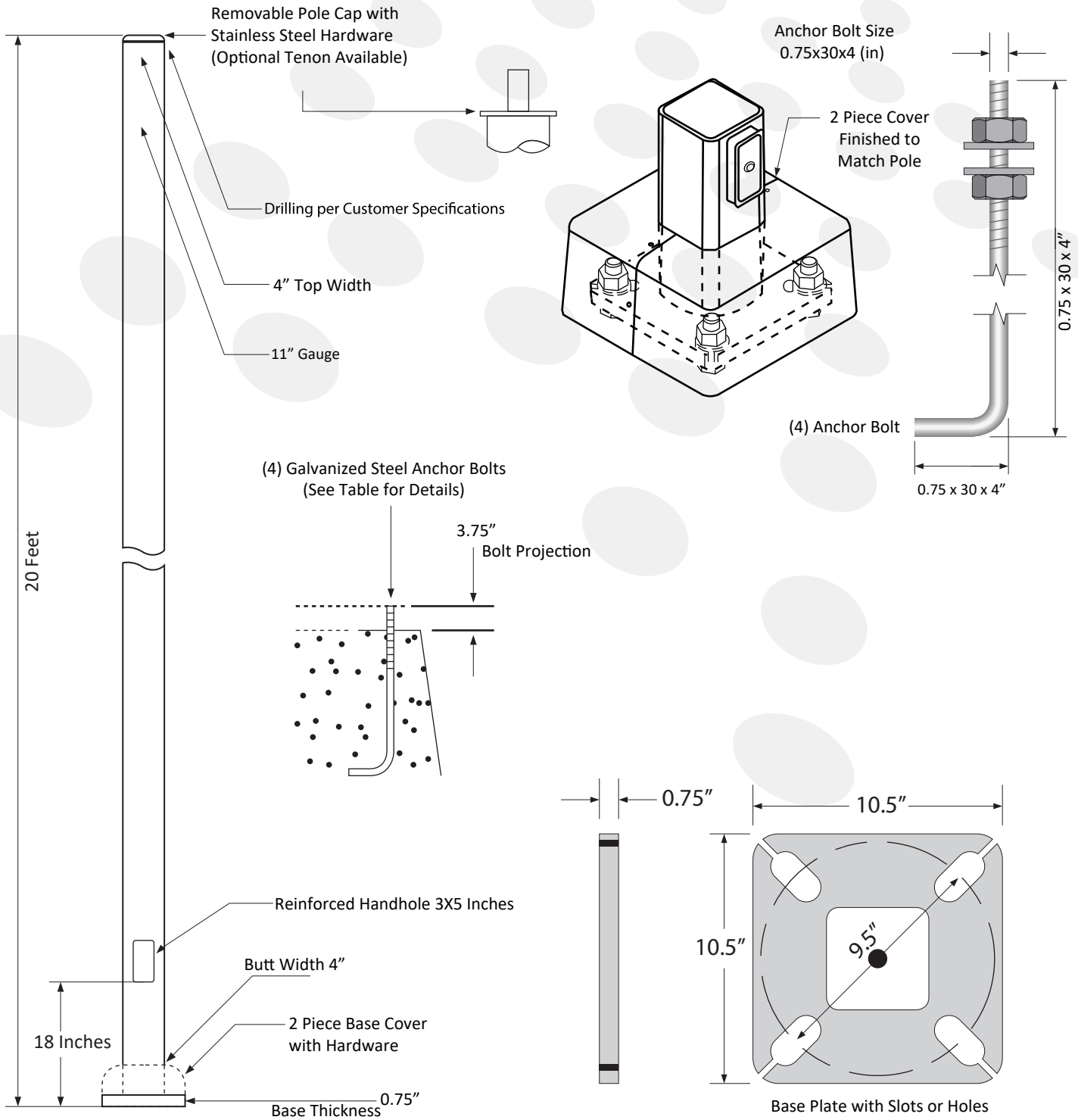
Dimensions of SKU # 153597



# SQUARE POLE™



**SKU: 155642 (20 Feet Square Pole)**

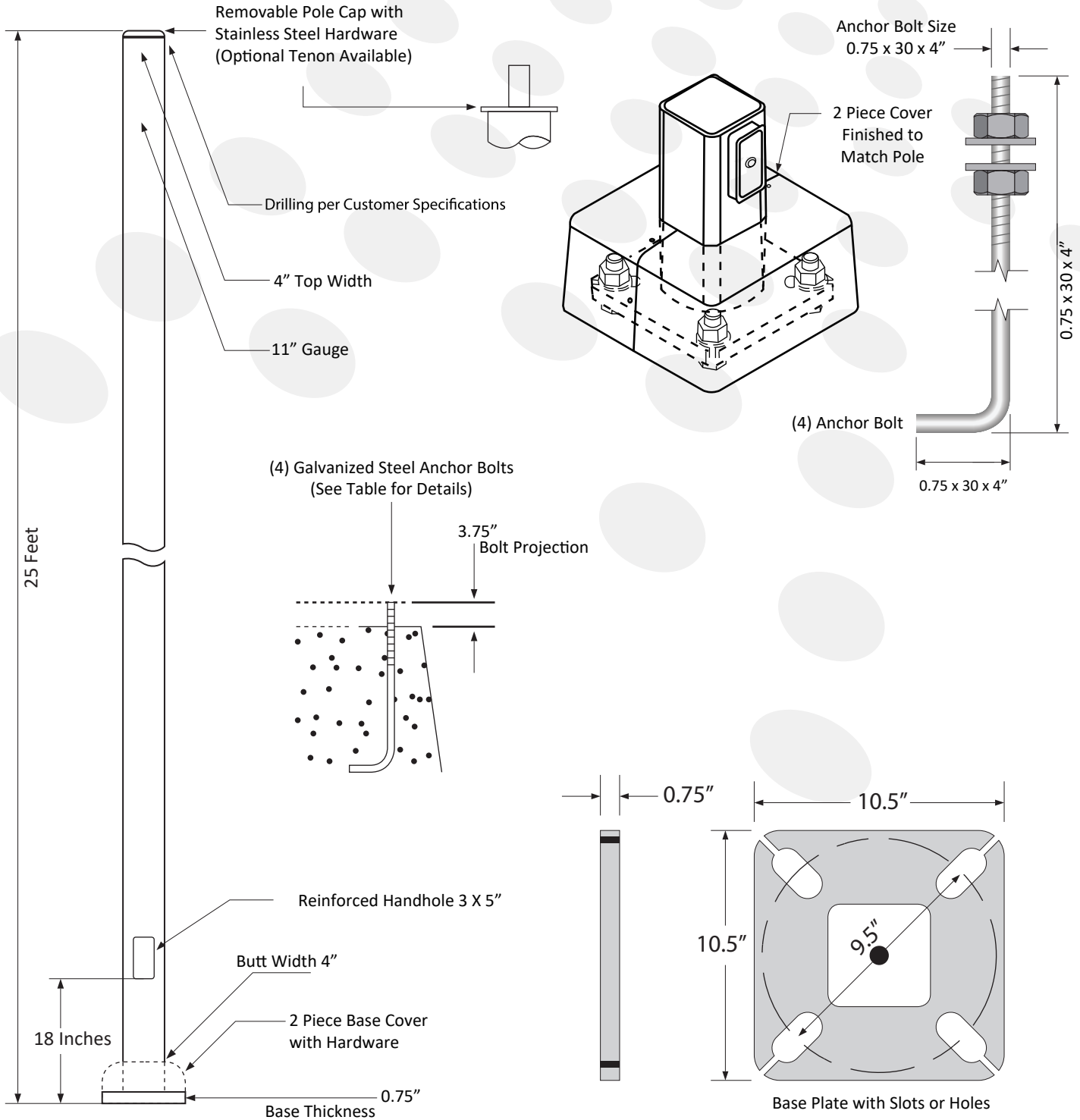


SQUARE POLE



# SQUARE POLE™

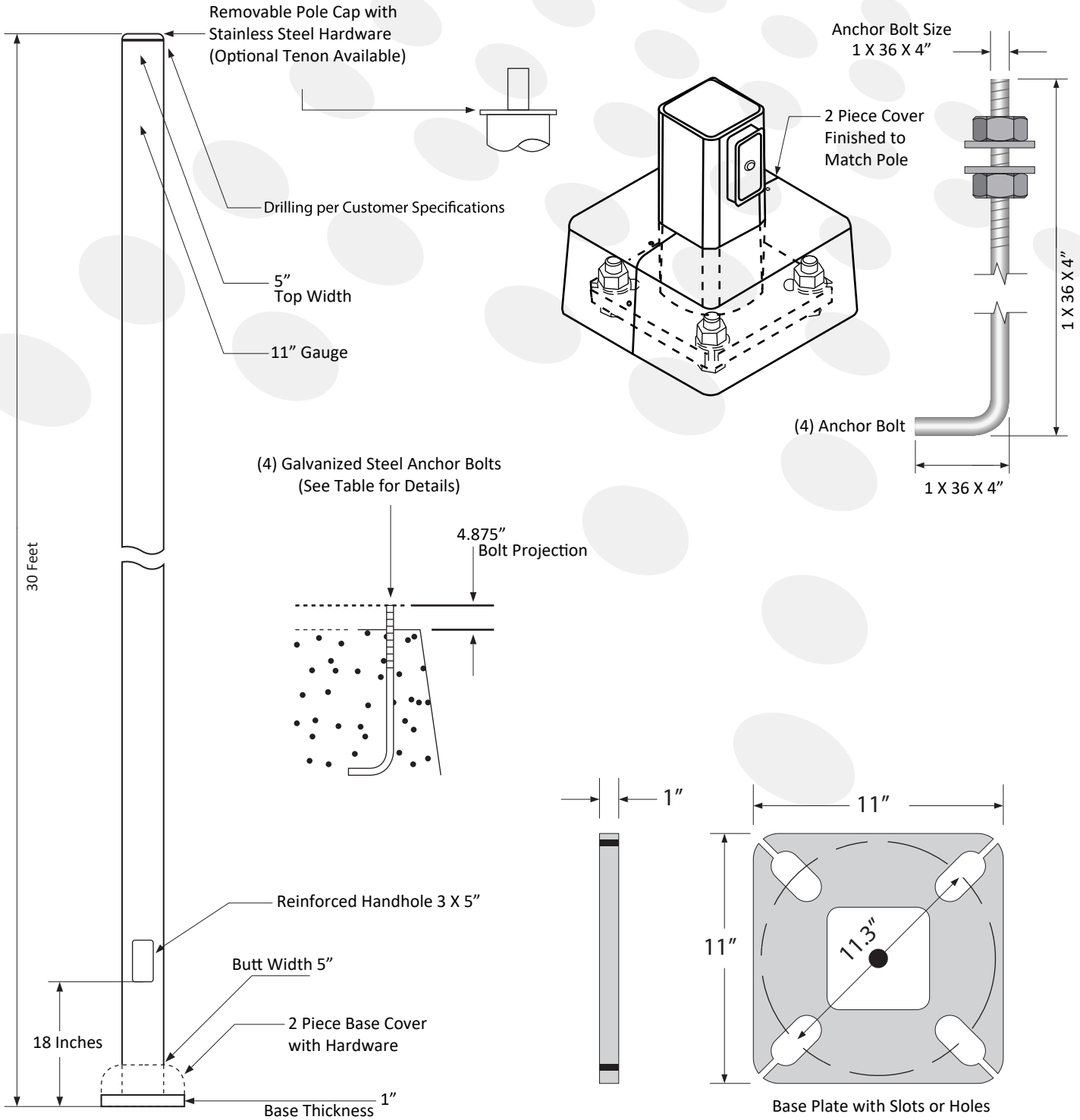
SKU: 155643 (25 Feet Square Pole)



# SQUARE POLE™



**SKU: 156176 (30 Feet Square Pole)**



SQUARE POLE



# SQUARE POLE™

## Application



SQUARE POLE

# SQUARE POLE™



## Application



SQUARE POLE

## Warranty

5 Year warranty