

LED Area Light

Zoho Series



150W



U-Bracket
110792



Slip Fitter
110799



Yoke Mount
150026



Straight Arm
110794



Photocell
110786

Features

- Phillip Chip
- DLC Premium listed
- Up to 130 lumens per watt
- Meanwell HLG Series Drive
- Available in Slip fitter, Straight Arm, U Bracket and Yoke Mount
- Fits any application

Advantage

- No UV or IR in the beam
- Easy to install and operate
- Energy saving, long lifespan
- Light is soft and uniform safe to eyes
- Instant start NO flickering, NO humming
- Green and Eco-friendly without mercury

Recommended Use

- Security
- Streets / Parking Lots
- Outdoor Basketball / Tennis Courts
- Football Field / School Playground, Stadium
- Wide Open Areas

Input Voltage

- 100-277 Vac 50/60Hz
- 480 Vac Optional

Qualification



BEYOND[®]
LED TECHNOLOGY

LED Area Light

Zoho Series

Product

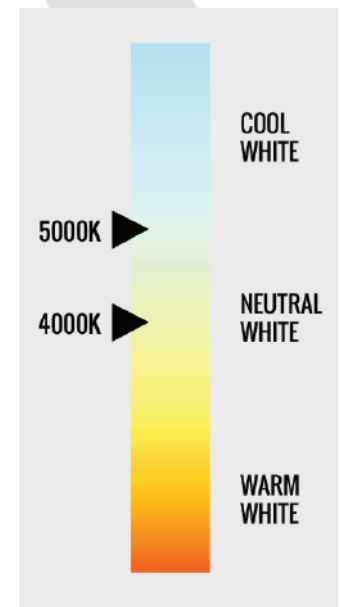
PRODUCT NAME	LED Area Light ZOHO Series
SKU #	150935
MODEL #	BLT-NSB-150WCT3

Specifications

COLOR TEMPERATURE	4000K
CCT OPTIONS	4000K & 5700K
LUMEN	19600LM
CONSUMPTION	150W
VIEWING ANGLE	85°-150°
INPUT VOLTAGE	100-277Vac 50/60Hz
DRIVER MODEL	HLG-150-48B (1-10Vdc Dimmer)
POWER FACTOR	>0.9
WATERPROOF RATING	IP65

LED BRAND	Philips Lumileds
LED TYPE	Luxeon 3030 2D (1.5W)
LED QUANTITY	140 PCS
HOUSING	Aluminum Alloy
HOUSING COLOR	Black or Bronze
OPTIONAL ACCESSORY	Photocell / Surge Protector

CORRELATED
COLOR TEMPERATURE
(CCT)



Others

OPERATING TEMPERATURE	APPLICATION	CRI	BEAM ANGLE	DIMMABLE
-20° TO 45°	Outdoor	>70	85°-150°	Yes

Warranty & Qualification

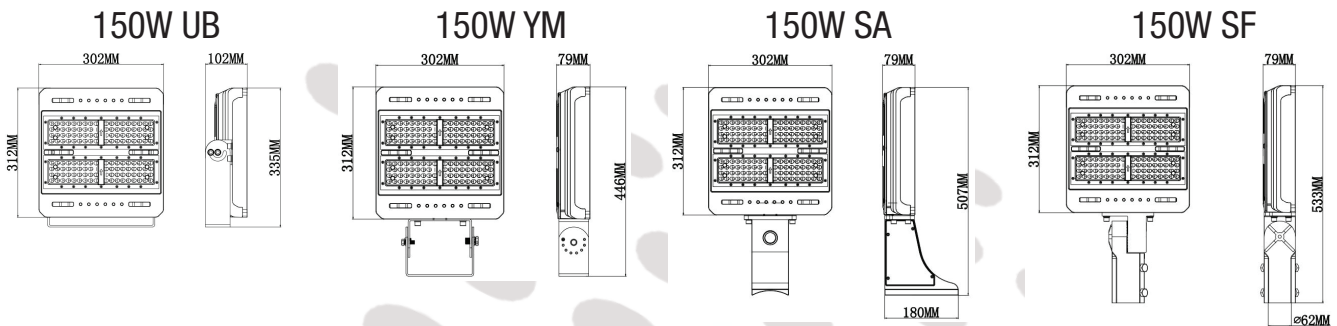
WARRANTY	UL LISTED	DLC
5 Year Limited	Yes	Yes

Due to continuous product improvement, information in this document is subject to change.
 Revision Date: 05/22/2019
 1939 Parker Ct Suite C Stone Mountain, GA 30087 | Phone: (866) 786-1117 |
www.beyondledtechnology.com

LED Area Light

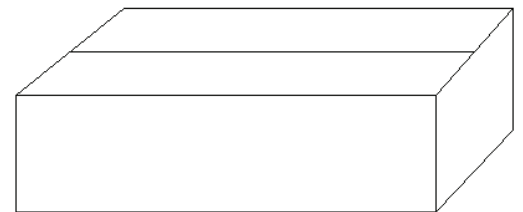
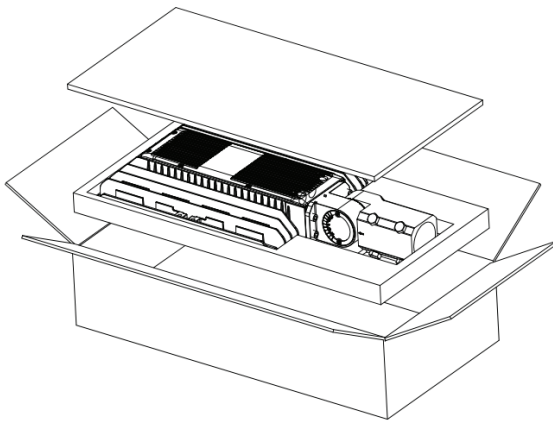
Zoho Series

Drawing



Package

BOX	Lamps Net Weight	SIZE	QTY / CARTON	Weight/Carton
Outer Box UB	24.5 lbs	22" x 17.7" x 4"	1	26 lbs
Outer Box YM	23 lbs	22" x 12.2" x 3.3"	1	24.5 lbs
Outer Box SA	23.8 lbs	24.4" x 12.2" x 7.4"	1	25.3 lbs
Outer Box SF	23.5 lbs	25.5" x 12.2" x 3.3"	1	25 lbs



Notice For User

- Please turn off power before install or change assembly parts.
- The input voltage and lamps should be matched, after connecting the power line, Please make sure the wiring section is insulated
- Licensed Electrician Installation ONLY.

Due to continuous product improvement, information in this document is subject to change.
 Revision Date: 05/22/2019
 1939 Parker Ct Suite C Stone Mountain, GA 30087 | Phone: (866) 786-1117 |
www.beyondledtechnology.com

ZOHO 2nd Gen Series

Light Distribution Testing Parameters

DATA OF LAMP		PHOTOMETRIC DATA Eff: 130.20 lm/W			
MODEL	BLT-NSB-150WCT3	I _{max} (cd)	9392	S/MH (C0/180)	1.77
NOMINAL POWER (W)	150	LOR (%)	100.0	S/MH (C90/270)	0.72
RATED VOLTAGE (V)	120	TOTAL FLUX (lm)	19355	η UP, DN (C0-180)	0.1, 67.3
NOMINAL FLUX (lm)	19355.1	CIE CLASS	DIRECT	η UP, DN (C180-360)	0.1, 32.5
LAMPS INSIDE	1	η up (%)	0.2	CIBSE SHR NOM	1.50
TEST VOLTAGE (V)	120.0	η down (%)	99.8	CIBSE SHR MAX	1.55

