



ASTRO™ LED Modules



Beyond LED's ASTRO LED Modules are high quality LED modules specially designed for outdoor applications including construction activity, retrofit of medium size and large size channel letters, or utility of sign decoration. The product is available in White, Yellow, Blue, Red RGB color. Our AC modules are easily customized to meet all required specification. The excellent heat dissipation provided by the integrated heat sink reduces the degradation of light and color deviation. In addition, the ultrasonically welded body of these modules and its IP67 rating guarantees water resistance for signage applications.

Product Features

- AC110V/220V input directly
- No need driver
- Max 100pcs per string , without voltage drop,
- Easy For Installation
- High brightness, save your cost
- Beam angle 160° Degree
- Beam Angle 15x45°
- UL listed
- 3 Years Warranty

ASTRO™ LED Modules



| SKU # | Model # | Watt | Lumens | CCT | Color | Input Voltage | Beam Angle | Light Fixing | Certifications |
|--------|------------|------|--------|--------|------------|---------------|------------|--------------|----------------|
| 156840 | FH3XF-HV-D | 3W | 300Lm | 10000K | White | 110V AC | 15x45° | Indoor | UL |
| 156819 | DM3WF-67 | 3W | 350Lm | 10000K | White | 110V AC | 160° | Outdoor | UL |
| 156841 | DM3XF-JC | 3W | 390Lm | 10000K | White | 110V AC | 160° | Indoor | UL |
| 156842 | DM3XF-JC | 3W | 390Lm | 3000K | Warm White | 110V AC | 160° | Indoor | UL |
| 156843 | DM3XF-JC | 3W | - | - | Red | 110V AC | 160° | Indoor | UL |
| 156844 | DM3XF-JC | 3W | - | - | Blue | 110V AC | 160° | Indoor | UL |

SKU: 156840

Specifications

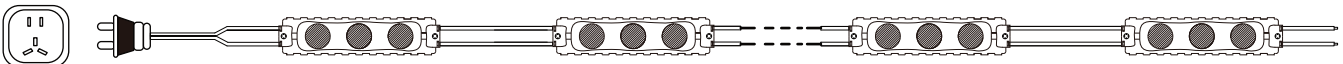
| Parameter | Description | Value |
|---------------------|-----------------------|------------------|
| General Performance | Model # | FH3XF-HV-D |
| | Wattage | 3W |
| | Lumen | 300LM |
| | Lumen Efficacy | Up to 100LM/W |
| | Color Temperature | 10000K |
| | Input Voltage | 110V AC |
| | LED Chip | SMD2835 |
| | Beam Angle | 15x45° Degree |
| | Module Pitch | 5.11" |
| | Operating Temperature | -20°C ~ 60°C |
| | Color | White |
| | IP Rating | IP65 Rated |
| | Cable | 24AWG 600V/105°C |
| | Warranty | 3 Years Warranty |

SKU: 156840

Connection Diagram

AC110V

AC110V





ASTRO™ LED Modules

SKU: 156819

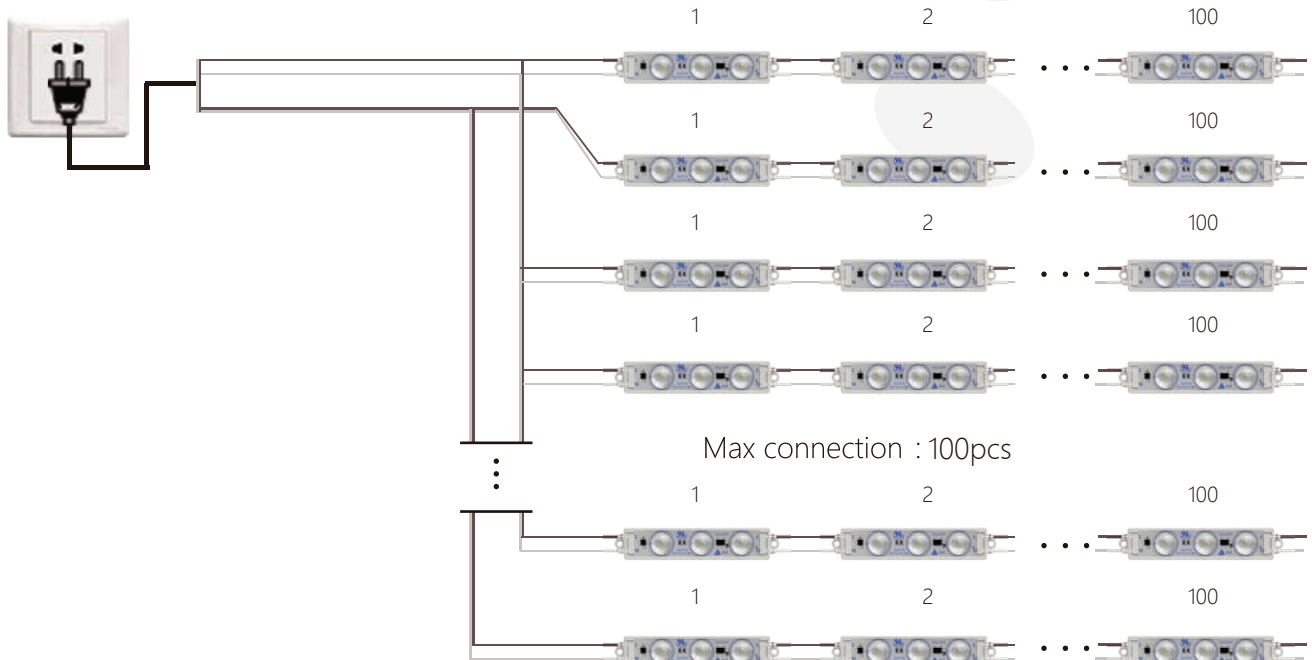
Specifications

| Parameter | Description | Value |
|---------------------|-----------------------|------------------|
| General Performance | Model # | DM3WF-67 |
| | Wattage | 3W |
| | Lumen | 350LM |
| | Lumen Efficacy | Up to 120LM/W |
| | Color Temperature | 10000K |
| | Input Voltage | 110V AC |
| | LED Chip | SMD2835 |
| | Beam Angle | 160° Degree |
| | Module Pitch | 5.11" |
| | Operating Temperature | -20°C ~ 60°C |
| | Color | White |
| | IP Rating | IP67 Rated |
| | Cable | 24AWG 600V/105°C |
| | Warranty | 3 Years Warranty |

SKU: 156819

Connection Diagram

AC 220V Input



ASTRO™ LED Modules



SKU: 156841 / 156842 / 156843 / 156844

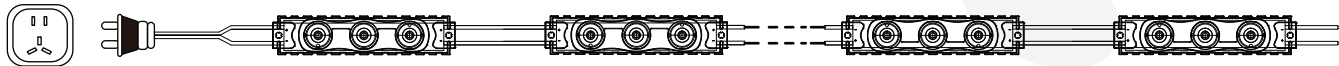
Specifications

| Parameter | Description | Value |
|---------------------|-----------------------|---------------------------------|
| General Performance | Model # | DM3XF-JC |
| | Wattage | 3W |
| | Lumen | 390LM |
| | Lumen Efficacy | Up to 130LM/W |
| | Color Temperature | 10000K |
| | Input Voltage | 110V AC |
| | LED Chip | SMD2835 |
| | Beam Angle | 160° Degree |
| | Module Pitch | 5.11" |
| | Operating Temperature | -20°C ~ 60°C |
| | Color | White / Warm White / Red / Blue |
| | IP Rating | IP65 Rated |
| | Cable | 24AWG 600V/105°C |
| | Warranty | 3 Years Warranty |

SKU: 156841 / 156842 / 156843 / 156844

Connection Diagram

AC110V



AC110V

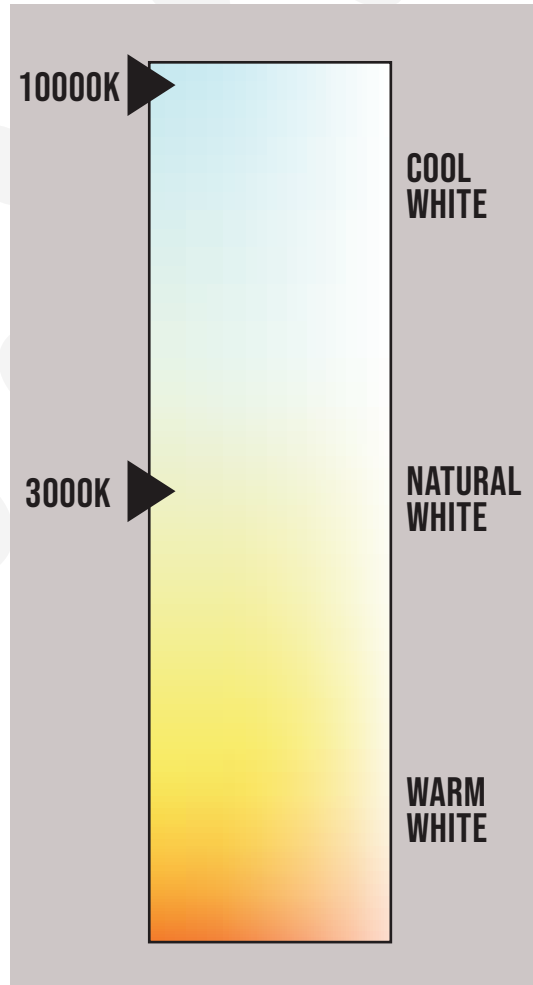
LED MODULES



ASTRO™

LED Modules

Correlated Color Temperature (CCT)

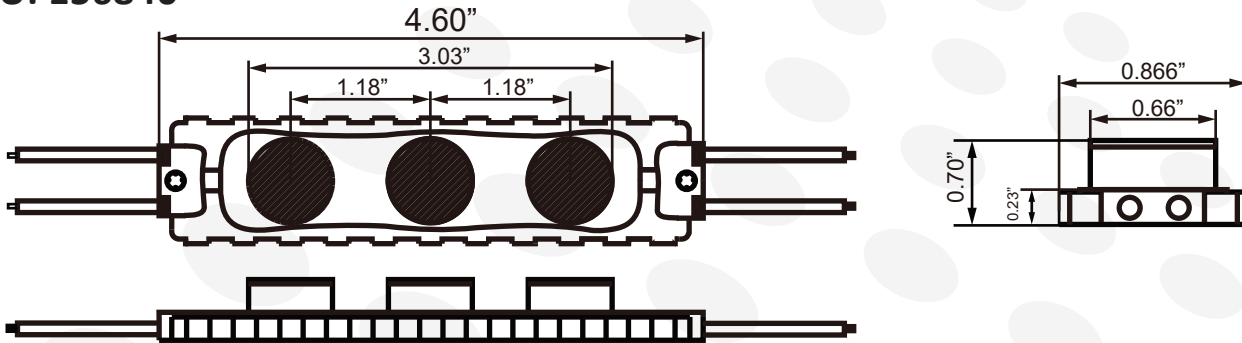


ASTRO™ LED Modules

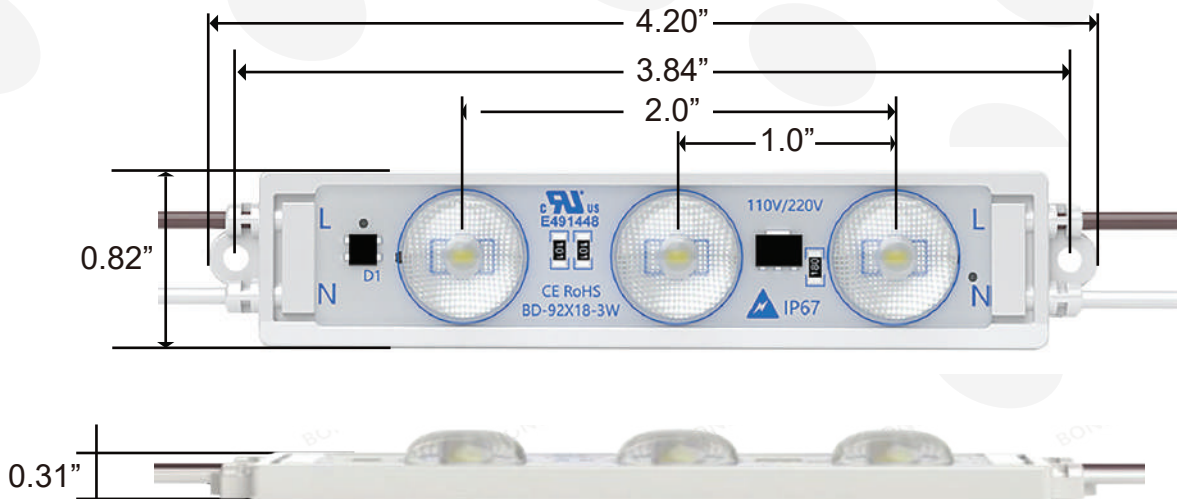


Dimensions

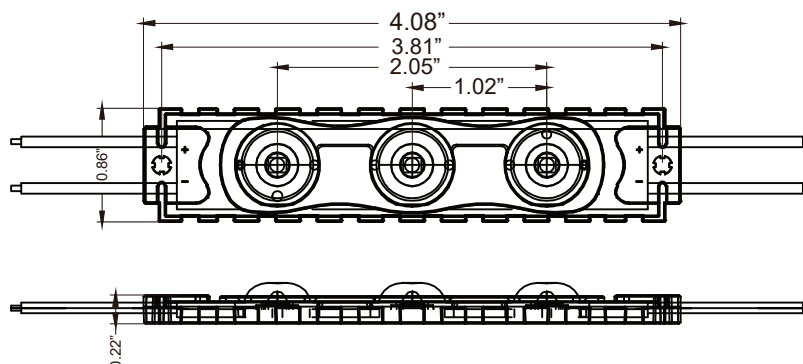
SKU: 156840



SKU: 156819



SKU: 156841 / 156842 / 156843 / 156844

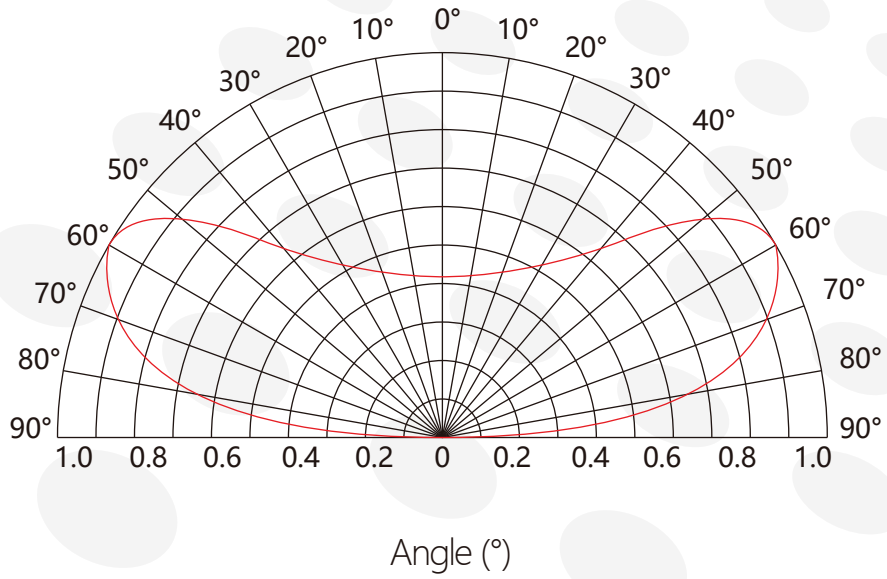




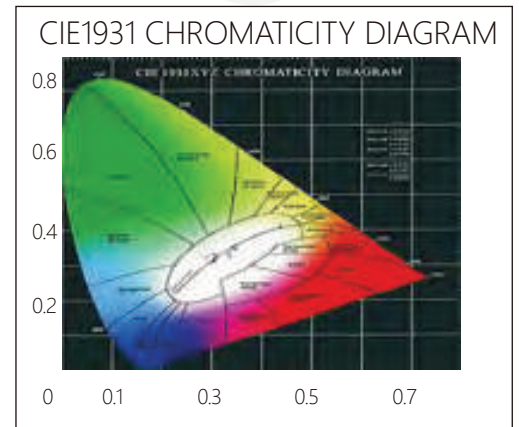
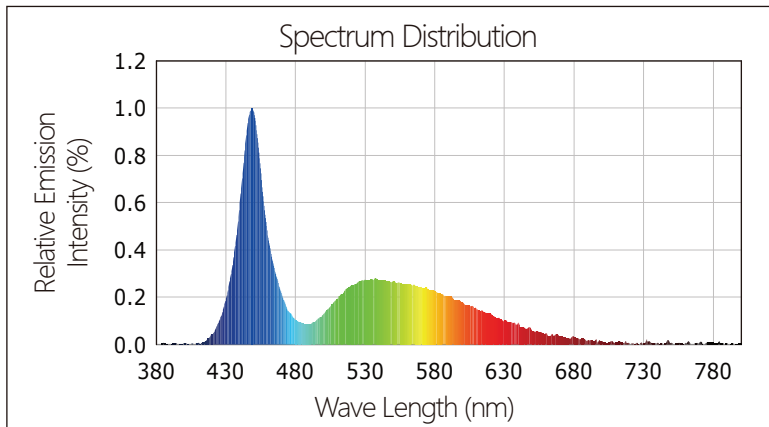
ASTRO™ LED Modules

SKU: 156840

Beam Angle



CIE Colorimetric Parameters

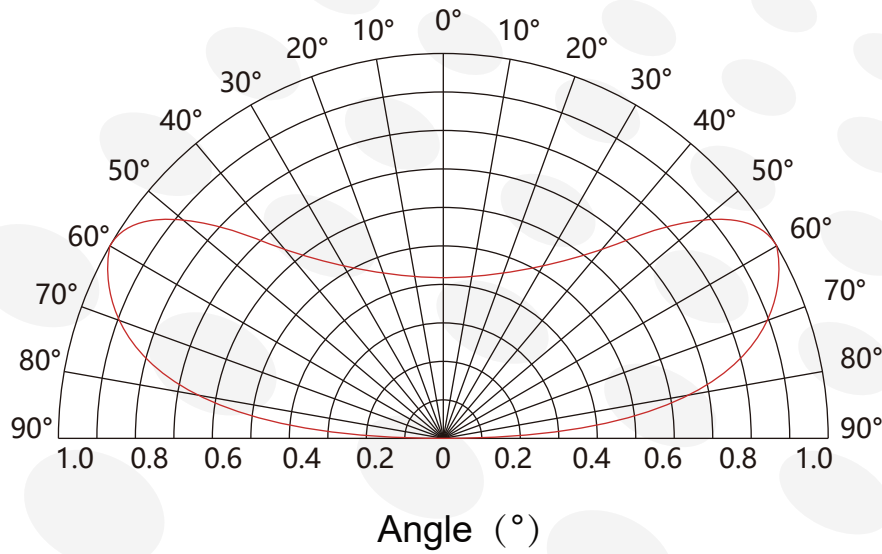


ASTRO™ LED Modules

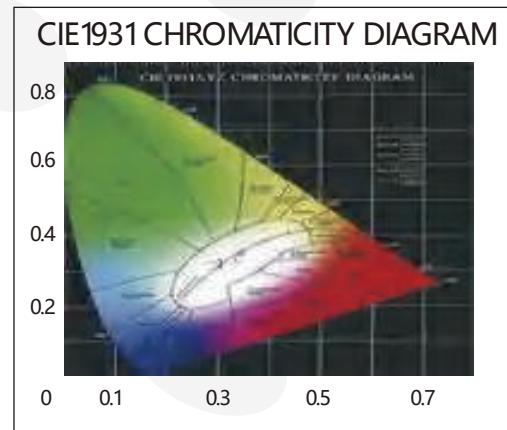
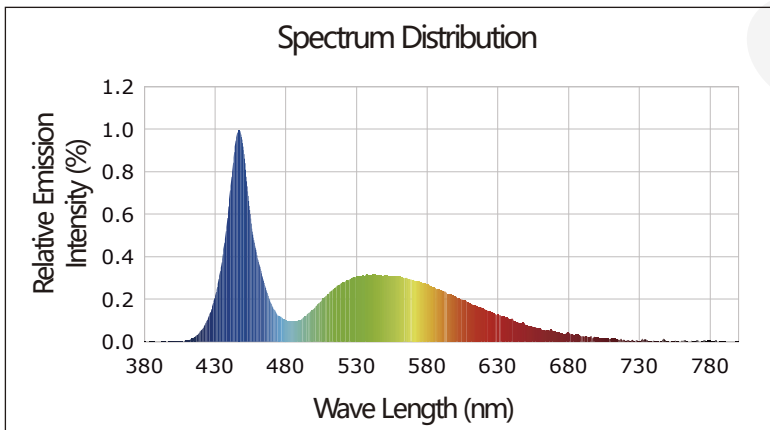


SKU: 156819

Beam Angle



CIE Colorimetric Parameters



With Epoxy Glue, More Waterproof

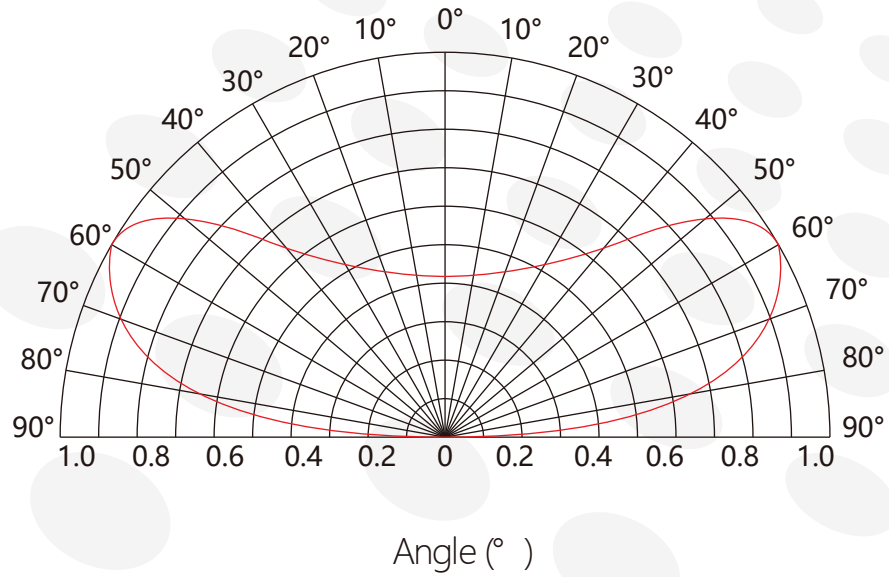




ASTRO™ LED Modules

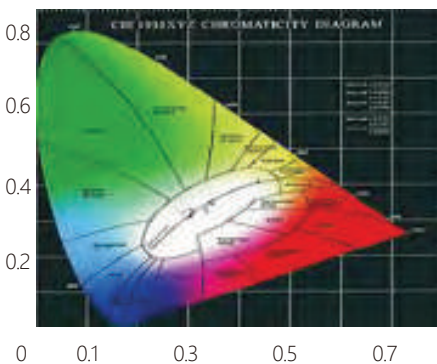
SKU: 156841

Beam Angle

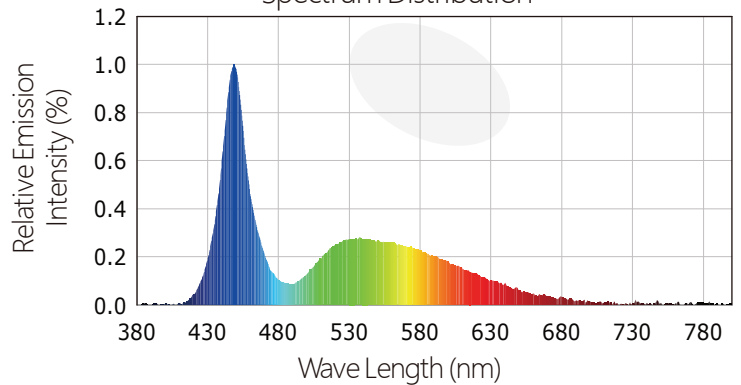


CIE Colorimetric Parameters

CIE1931 CHROMATICITY DIAGRAM



Spectrum Distribution



ASTRO™ LED Modules



Packaging

| SKU | Carton Size (Inches) | Qty | Net Weight | Gross Weight |
|--------|-----------------------|----------------------------|------------|--------------|
| 156840 | 19.68 x 13.77 x 13.77 | 50 Pcs/String/1000 Pcs/Box | 0.05 LBS | 59.52 LBS |
| 156819 | 16.98 x 13.77 x 13.77 | 11 Boxes/100 Pcs/String | 0.04 LBS | 48.50 LBS |
| 156841 | 16.98 x 13.77 x 13.77 | 11 Boxes/100 Pcs/String | 0.04 LBS | 48.50 LBS |
| 156842 | 16.98 x 13.77 x 13.77 | 11 Boxes/100 Pcs/String | 0.04 LBS | 48.50 LBS |
| 156843 | 16.98 x 13.77 x 13.77 | 11 Boxes/100 Pcs/String | 0.04 LBS | 48.50 LBS |
| 156844 | 16.98 x 13.77 x 13.77 | 11 Boxes/100 Pcs/String | 0.04 LBS | 48.50 LBS |

Warranty

3 Years Warranty



ASTRO™ LED Modules

Application Image

