

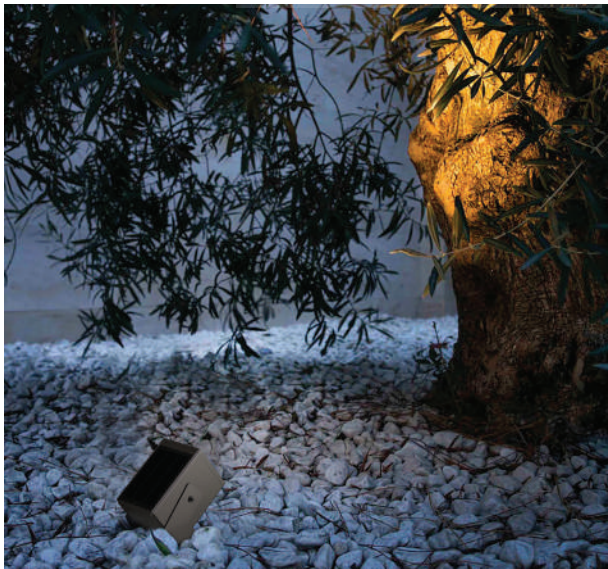
RAY™

Solar Spot Light



RAY Solar Spot Lights: Outdoor lighting powered by solar panels. Designed to focus and brighten specific areas or objects. Ideal for landscaping, architectural details, statues and more. Eco-friendly and cost-effective alternative to wired lights. Accent lighting without increased electricity costs or complex installations.

- Integrated solar panel for energy generation.
- Energy-efficient LEDs for bright, low-power lighting.
- Adjustable heads or swivel mounts for precise light direction.
- Built-in light sensors for automatic on/off.
- High-capacity Power Lithium Battery with a lifespan of over 2000 cycles.
- First 5 hours at 100% brightness and 20% brightness until dawn.
- Antitheft screws with tooling is included.
- Easy installation without the need for electrical wiring.
- Bluetooth App Controlled enabled.



RAY™

Solar Spot Light

SPECIFICATIONS

Model #	SKU #	Power	PV Type	Solar Panel	Lithium Battery	Lumens	CCT	Sensor	Beam Angle	IP Rating
AVS-RAY-150	790109	1.45W	Mono	4.32V	5AH-3.7V	150LM	4000K	Ray Sensor	120°	IP66

LUMINOUS FLUX

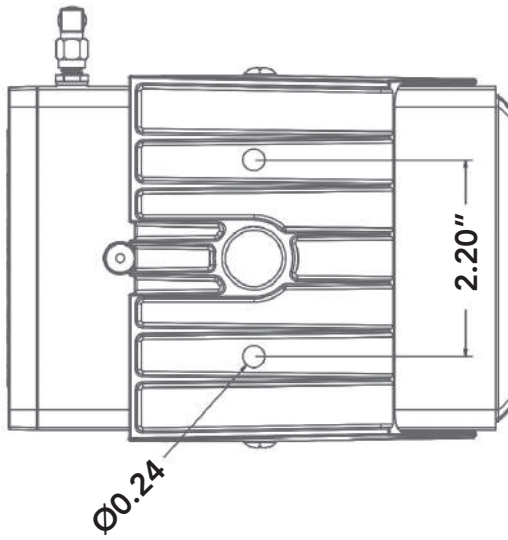
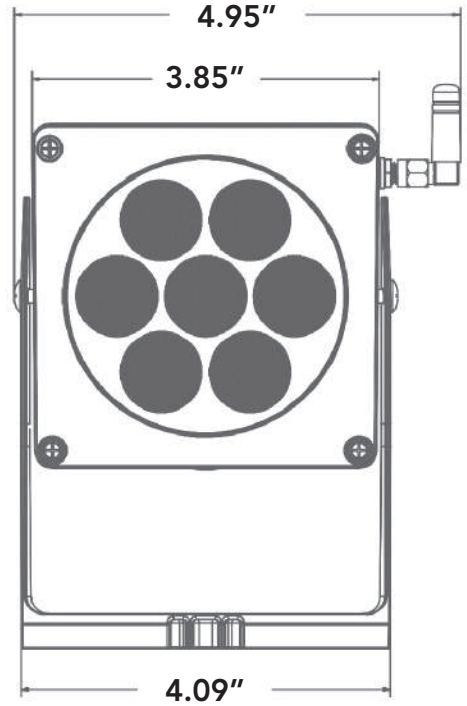
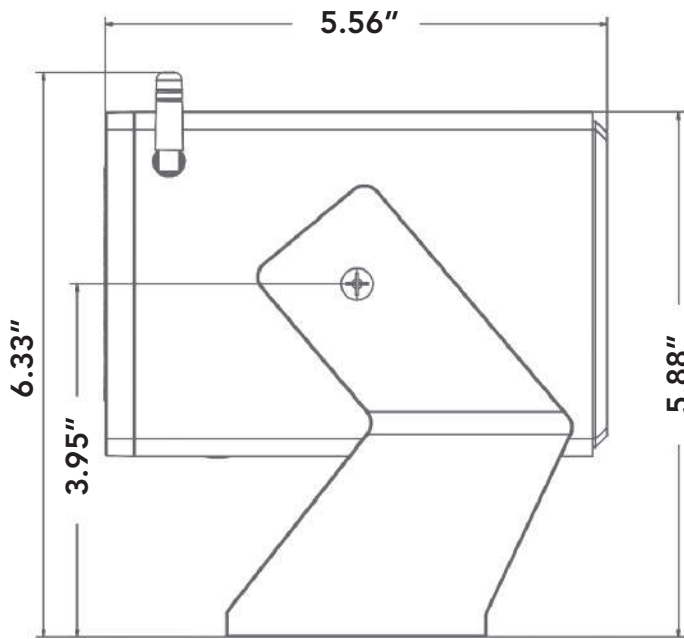
150 LUMENS

Solar Panel	◀	
Voltage / Power		4.32V / 1.45W
Li-ion Battery	◀	
Capacity / Voltage / Power		5AH / 3.7V / 18.5
Charging / Discharging Tem		0~45°C/ -20~60°C
LED	◀	
Luminous Flux		150LM
LED Package / Quantit		Osram 3030 / 7pcs
Color Temperature(CCT)		4000K
PERFORMANCE	◀	
Rainy Days Back		>10 Days
Default Lighting Mode		100%5H+20% Till Dawn
Networking Type		Bluebooth Mesh
Core Technology		ALS 2.5 / TCS 3.0
IP/IK/Anti-Corrosion		IP66 / IK10 / C4H
Button Switch		ON/OFF: Long Press 1.5s; Reset: Long Press 6S
DIMENSIONS	◀	
Carton Size (Inner Box)		7.83x6.29x6.02
Carton Size (Outer Box)		24.09x19.48x18.66
Net Weight		/
Gross weight		/
QTY Per Outer Box		27 Pcs



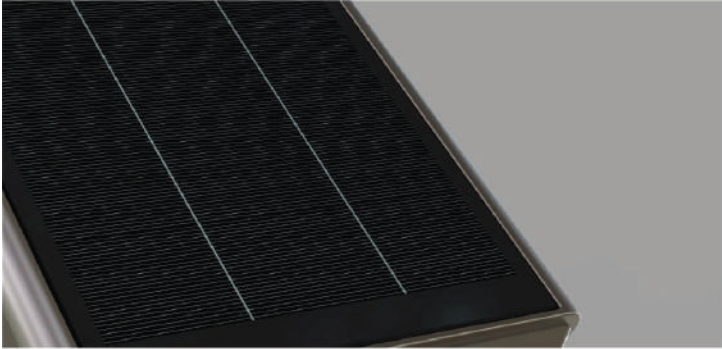
RAY™ Solar Spot Light

DIMENSIONS



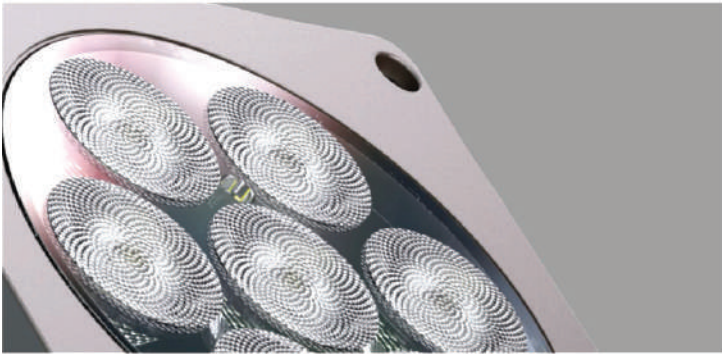
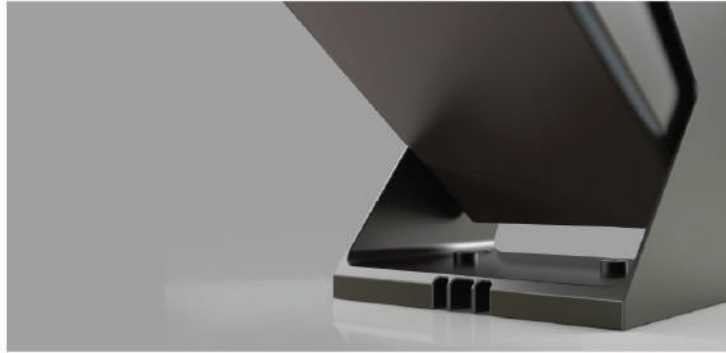
RAY™ Solar Spot Light

MORE DETAILS



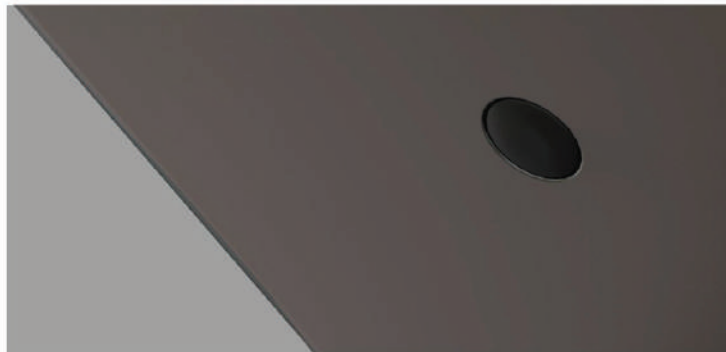
**Monocrystalline
>21%**

Bracket



**Durable
High-Quality
PC Material**

Switch



RAY™ Solar Spot Light

DIMENSION OPTIONS



SOLAR SPOT LIGHT

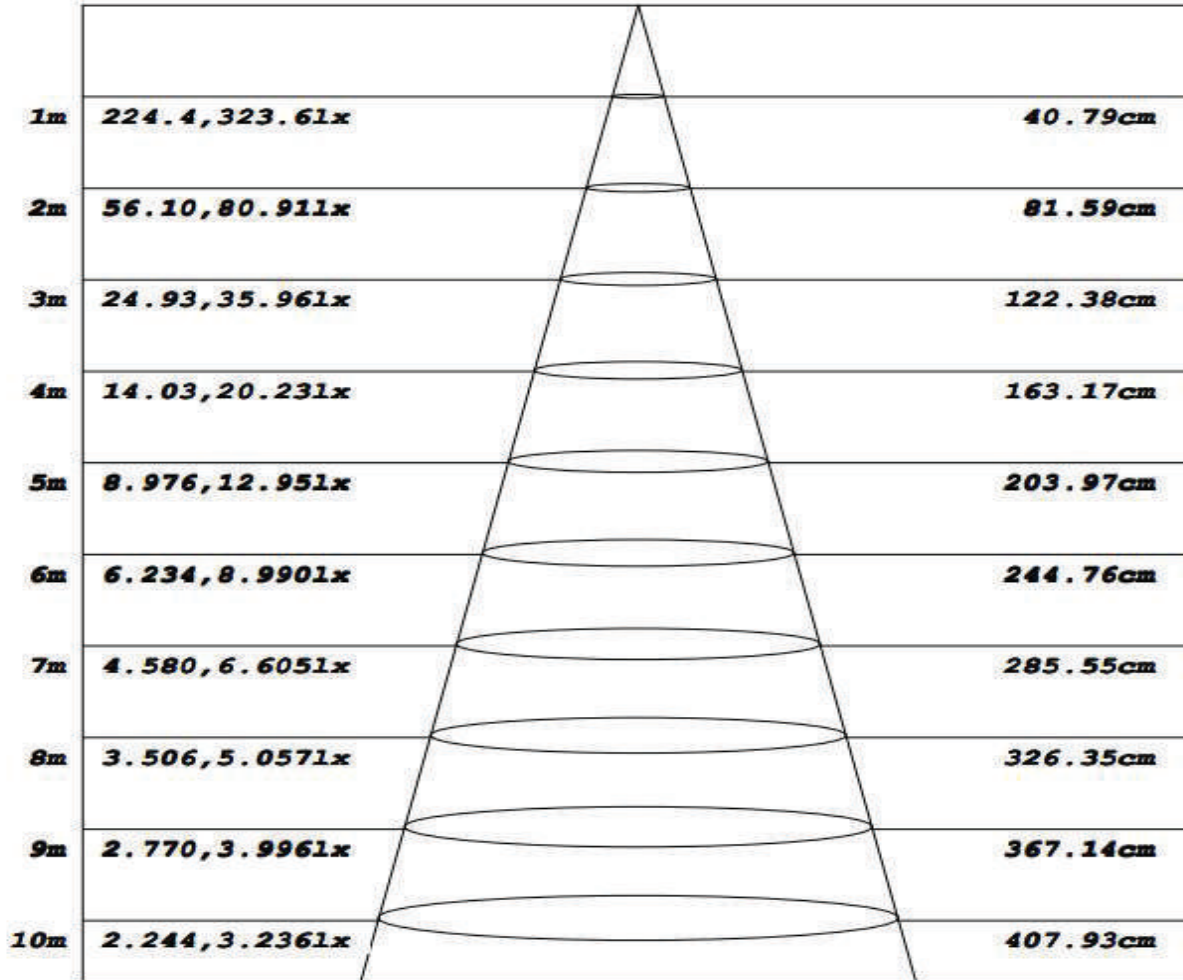


RAY™

Solar Spot Light

SIMULATED DIAGRAM

Flux out: 31.85 lm



Height Eavg, Emax Angle: 23.06deg Diameter

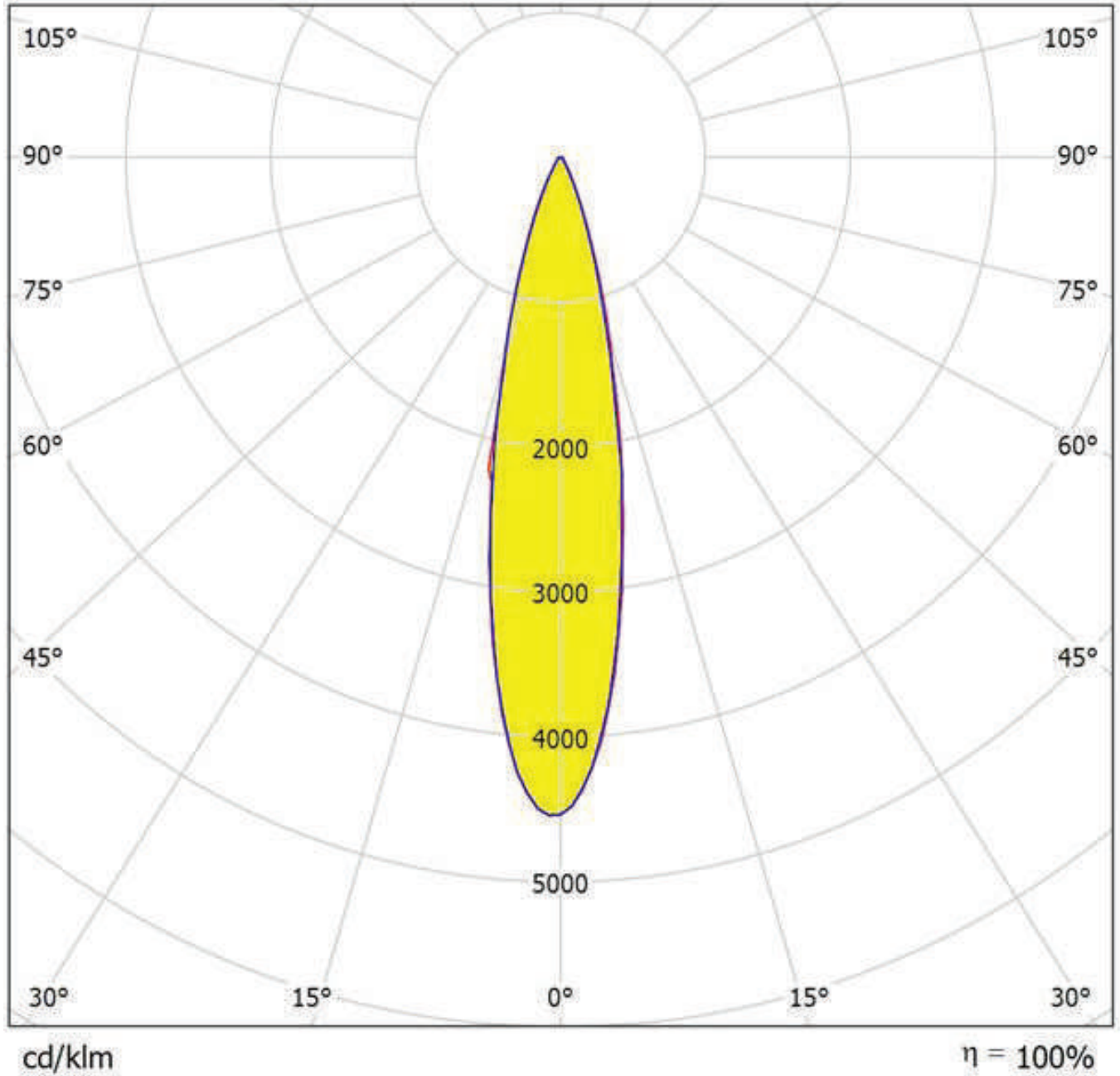
Note: The Curves indicate the illuminated area and the average illumination when the luminaire is at different distance.

SOLAR SPOT LIGHT



RAY™ Solar Spot Light

LUMINANCE DISTRIBUTION

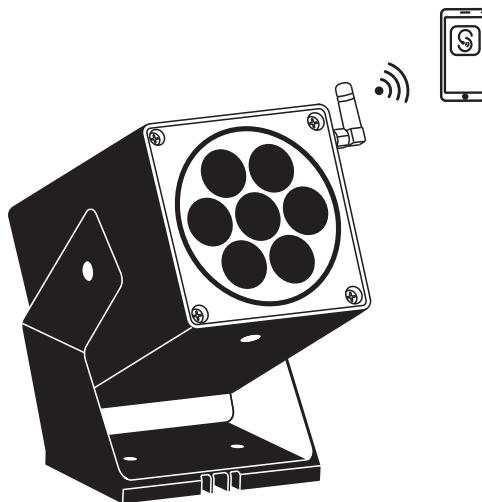


RAY™ Solar Spot Light

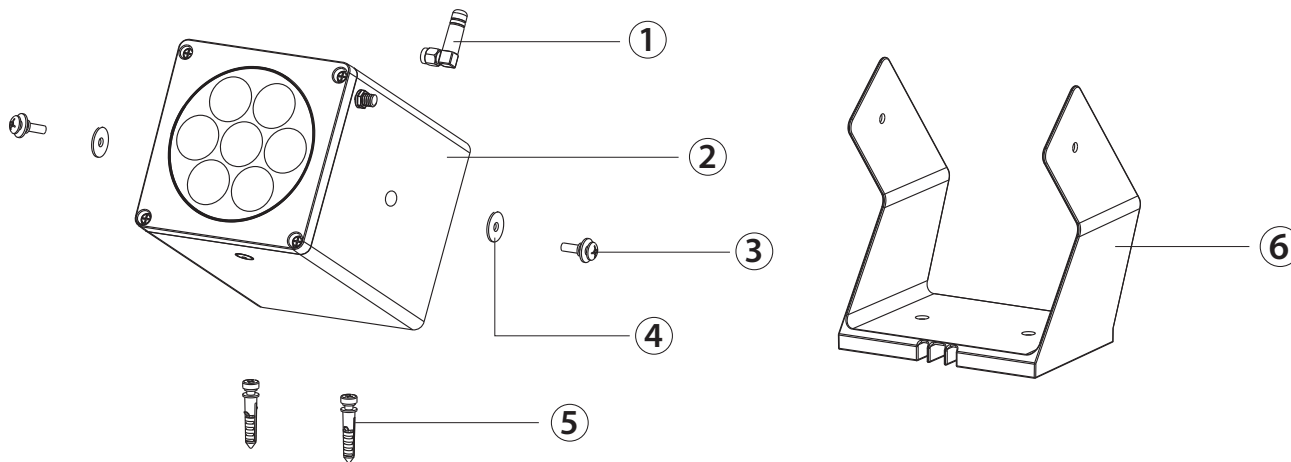
INSTALLATION

-20°C-60°C
With Heating Version(H)
-20°C-60°C

0°C-60°C
With Heating Version(H)
0°C-60°C



KEY PARTS OF PRODUCT



- ① Antenna
- ② Lamp Body
- ③ M4 Screw
- ④ Washer
- ⑤ Expansion Scre Kit
- ⑥ Bracket

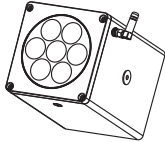


RAY™ Solar Spot Light

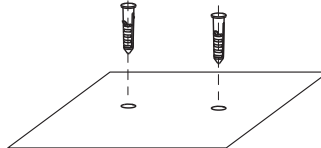
INSTALLATION

HOW TO INSTALL THE LIGHT?

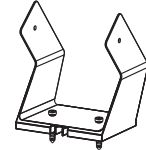
Installation Diagram



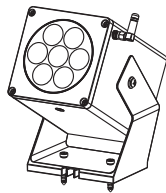
1. Install antenna and washer.



2. Install the plastic expansion screw pillars.



3. Mounting bracket on the ground.



4. Please fix the lamp body to the bracket and keep the antenna always pointing straight up, then press the button to turn on the lamp.

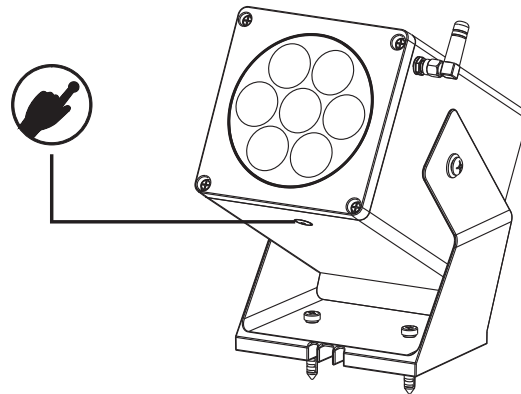
The Product Operation Instructions

SWITCH

Press the button for 1.5 seconds(on/off)

FEATURES

Solar panel: Mono-crystalline,
Tempered glass laminated.
Charging battery: Lithium battery
Material: Aluminum Alloy +PC



RAY™

Solar Spot Light

INSTALLATION

Bluetooth Mesh



Please Scan and download App

SPECIAL NOTE

- Do not install the lamp against the sun, under the shadow or buildings which height above the lamp. Otherwise, it maybe need a longer charging time.
- Do not use the non-standard accessories to install the lamp.
- Setting a suitable lighting model according to local sunlight.
- Please charge the product every 3 months to ensure the activity of the lithium battery.
- If you storage the product over one year, please do fully charge and discharge inspection and make sure the battery is in good. Condition, Otherwise, it is forbidden to use!

WARNING

1. Keep the device away from fire and oil to avoid any fire or explosion.
2. No one except professional technicians should attempt to disassemble the light in order to avoid damaging the light.
3. It is strictly forbidden to disassemble the battery for personal use.
4. If the lamp doesn't get charge for one week, the battery maybe out of power, you have to charge it under bright sunlight.
5. In order to ensure that the lamp works in an ideal state for a long time, please clean the solar panel regularly according to the local dust conditions, our suggestion is one time at least half a year.
6. long-term static storage the product over one year will cause the inside battery damage or even I eakage, If the battery is leaking, it will cause the battery to spontaneously ignite



RAY™ Solar Spot Light

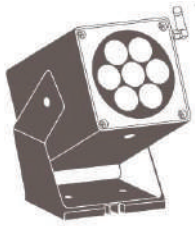
PACKAGE DETAILS

PRODUCT LIST

BRACKET : 1 PC

INSTRUCTIONS : 1 PC

SCREW : 1 SET



PRODUCT LIST

STEP 1

INNER BOX

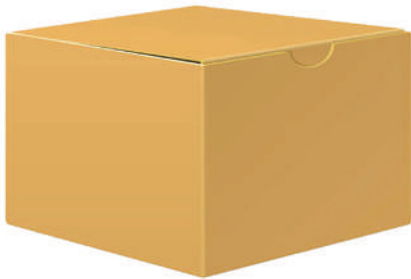
1 PC / 1 BOX



INNER BOX

STEP 2

LAYERS TOTAL :3,
EACH LAYER 9PCS



LAYER NUMBER

STEP 3

OUTER CARTON
27BOXES / CTN



CARTON

STEP 4



RAY™

Solar Spot Light

WIDE APPLICATIONS



SOLAR SPOT LIGHT



RAY™ Solar Spot Light

WIDE APPLICATIONS

