

MAGNOLIA™



LED TRI-PROOF LIGHT



The Magnolia Tri-proof Light from Beyond Led is the newest and most feature rich product of 2022. Magnolia has an adjustable wattage and CCT, allowing it to combine nine SKUs into one. MAGNOLIA is the thinnest fixture of its kind. Its resistant to water, dust, dampness, and pressure. High-quality LED driver and thermal management with a 50,000-hour illuminating life. The housing is extruded aluminum with a corrosion-resistant glossy white polycarbonate cover. It is simple to install using Surface mount or suspension.

Product Features

- Ultra-thin Sleek Design
- Upto 115 Lumens per watt
- Wattage Selectable 50/55/66W
- CCT Selectable 3500/4000/5000K
- IP 65 rated
- Water proof, Dust proof and Damp proof
- PC Housing
- Operating temperature: -20°C to 40°C
- Suspension and surface mount option
- PC housing and white cover, stainless steel clip
- Cover and LED board build-in-one design
- Input Voltage 110-277 VAC
- 0-10 Dimming
- UL & DLC Listed
- 5 Year warranty



SKU #	Model #	Wattage Adjustable	Lumens	CCT Adjustable	Size	IP	Dimming	Input Voltage	Certifications
155452	BLT-G3VP4-50/55/66/D10/U35-40-50	50W/55W/66W	7412Lm Max	3500K/4000K/5000K	4ft	IP65	0-10V	120-277Vac	UL & DLC

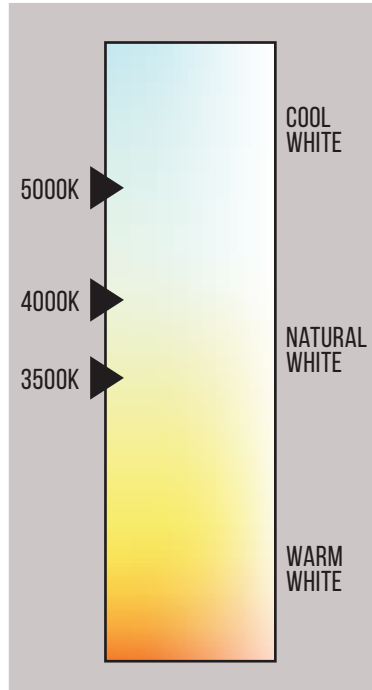
SKU Number 155452 Specifications

Parameter	Description	Value
General Performance	Model #	BLT-G3VP4-50/55/66/D10/U35-40-50
	Wattage Adjustable	50W/55W/66W
	Lumen	7412Lm Max
	Lumen Efficacy	Up to 115LM/W
	Color Temperature	3500K/4000K/5000K
	CRI (Ra)	>80
	Beam Angle	120° Degree
	Diffuser Type	PC Lens
Electrical	Input Voltage	120-277Vac
	Frequency	50/60Hz
	Dimming	0-10V
	Power Factor	≥0.9
	Driver Surge Protection	N/A
	Flicker Percent	N/A
Physical	Operating Temperature	-20°C To 40°C
	Operating Humidity	N/A
	Storage Temperature	N/A
	Storage Humidity	N/A
	LED Brand	N/A
	LED Type	N/A
	LED QTY	N/A
	Housing Material	Extruded Aluminum
	Housing Color	White
Qualification	IP Rating	IP65
	Warranty	5 Years

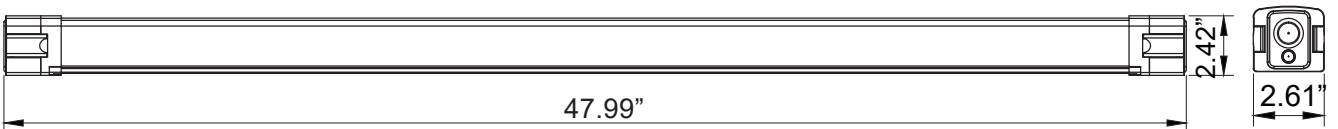


MAGNOLIA™

Correlated Color Temperature (CCT)

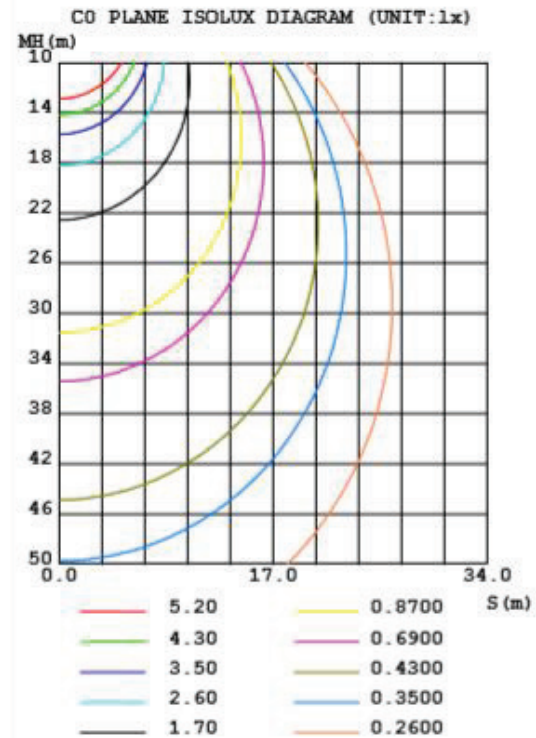
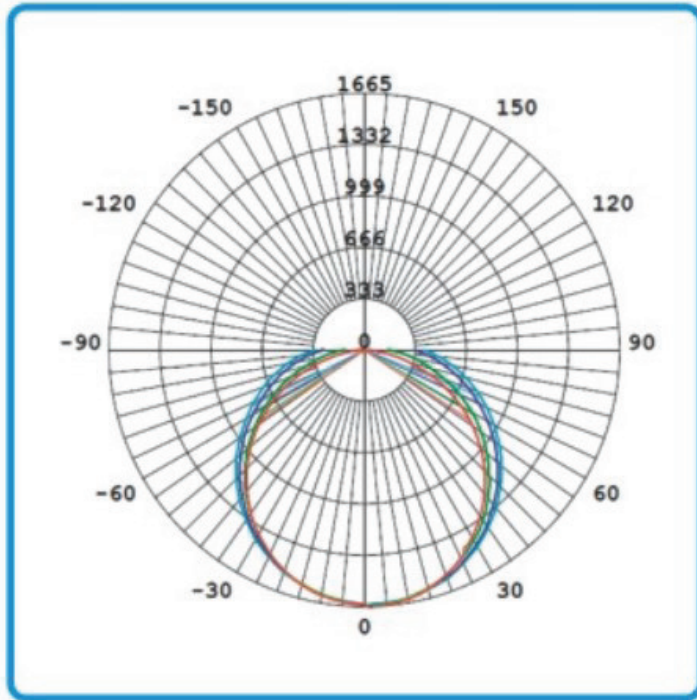


Dimensions





PHOTOMETRIC DATA



PACKAGE

Carton (Inch)	Qty / Carton	Net Weight / Carton	Gross Weight / Carton
48.85*11.02*6.18	1 PC		





INSTALLATION INSTRUCTIONS

IMPORTANT

**READ INSTRUCTIONS CAREFULLY BEFORE INSTALLING.
KEEP THESE INSTRUCTIONS FOR FUTURE REFERENCE.**

IMPORTANT SAFETY INFORMATION:

- Turn off electrical power at fuse or circuit breaker box before wiring fixture to the power supply.
- Turn off the power when you perform any maintenance.
- Verify that supply voltage is correct by comparing it with the luminaire label information.
- Make all electrical and grounded connections in accordance with the National Electrical Code and any applicable local code requirements.
- All wiring connections should be capped with UL approved wire connectors.
- MIN 90 °C SUPPLY CONDUCTORS .

CAUTION: This luminaire must be wired in accordance with the National Electric Code and applicable local codes and ordinances. Proper grounding is required for safety.

CAUTION: Installation and servicing of this luminaire should be performed by qualified personnel only.

CAUTION: This fixture is designed for permanent installation in ordinary (Non-Hazardous) locations in accordance with the National Electrical Code and all applicable local codes. Do not use in areas of limited ventilation or in high ambient enclosures. The lamp and fixture operate at high temperatures. Contact with combustible materials can cause fire and personal contact can cause severe burns.

General Notes

Many luminaire components, such as reflectors, refractors, lenses, sockets, lamp holders, and LEDs are made from various types of plastics which can be adversely affected by airborne contaminants. If sulfur based chemicals, petroleum based products, cleaning solutions, or other contaminants are expected in the intended area of use, consult factory for compatibility.

Cleaning and Maintenance:

Caution: Do not clean or maintain while the luminaire is energized. Check that the luminaire temperature is cool enough to touch. Periodically check and remove any accumulated dirt or debris around luminaire. Do not touch LEDs.

General Wiring Diagram

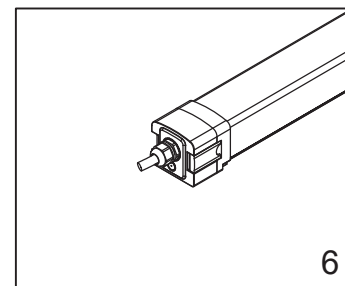
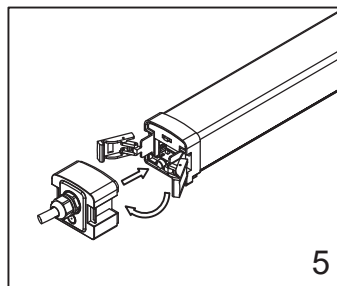
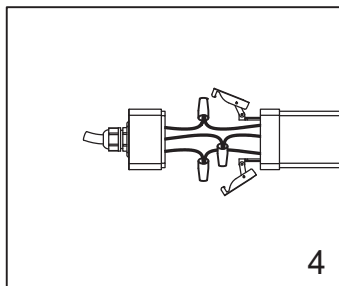
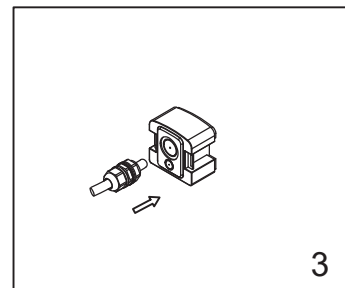
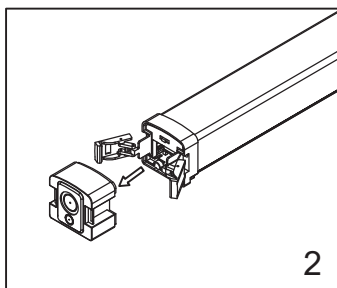
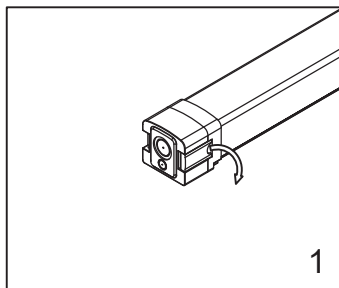
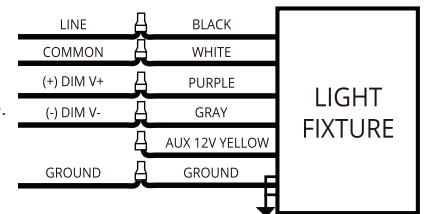
Caution: All units must be individually connected to the AC Supply.

Select appropriate access point for your installation, remove knockout, and feed power leads through hole.

Connect the supply wire from the source to the driver.

Black= Line White= Neutral Green= Ground

**Consult with dimmer control manufacturer' s wiring instructions.



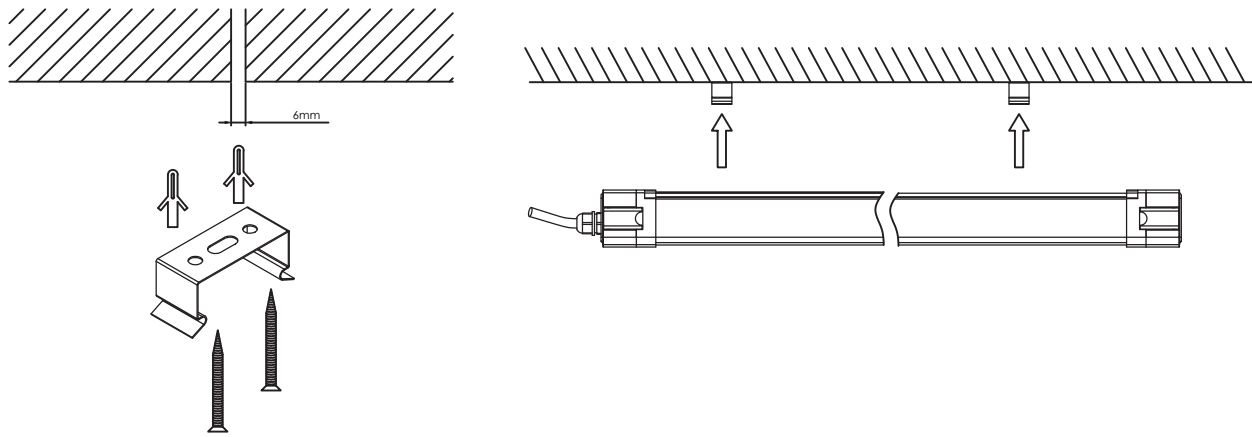


INSTALLATION INSTRUCTIONS

Mounting Instructions

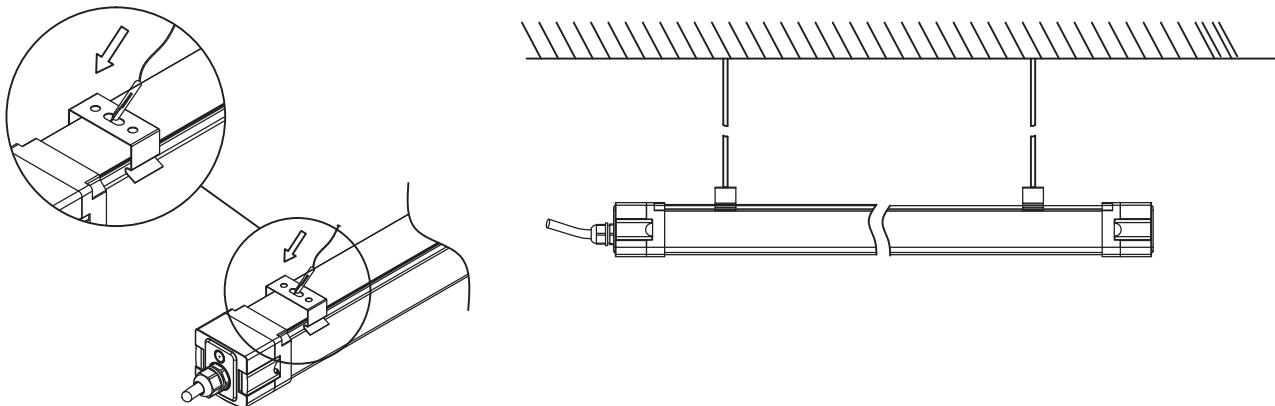
Before installation, ensure if power supply is disconnected. Cables must be connected in accordance to instruction and proper standing rules.

A: Surface Mounting



Install Brackets

B: Suspending Mounting(Chain and aircraft cable not be included)





Application Picture



Warranty

5 Years Warranty