



LOYA™

2nd Gen LED Linear High Bay



The LOYA 2nd Gen Linear High Bay is a highly compact design with a sleek and integral construction that uses die-cast housing. It saves a lot of money on shipping and is easy to install. Built-In 6,10KV surge protection keeps it working smoothly even in poor power condition. With high efficiency of up to 150 lumens per watt. LOYA 2nd Gen has pre-installed sensor base for and optional motion sensor. It is commonly utilized in warehouses and storage facilities, as well as industrial facilities, sports facilities and gyms.

Product Features

- Up to 150 Lumens per watt
- Wattage Adjustable
- 0-10V Dimmable
- Optional screw-in Motion Sensor
- Standard Chain mount included
- Built-In 10kv surge protector
- Emergency battery backup (Optional)
- High quality polycarbonate lens protects LEDs.
- Die-cast aluminum white housing
- Input Voltage 120-277Vac / 347Vac / 480Vac
- UL & DLC Listed
- 5 Year warranty

LOYA™

2nd Gen LED Linear High Bay



SKU #	Model #	Wattage Adjustable	Lumens	CCT Adjustable	Housing	Input Voltage	Emergency Battery Backup	Certifications
156746	BLT-LHBC(240/270/300)W-50KLV-S	240W/270W/310W	46810Lm	4K / 5K	White	120-347V	N/A	UL & DLC
156747	BLT-LHBC(240/270/300)W-50KLV-S	240W/270W/310W	46810LM	4K / 5K	White	120-277V	40W Built IN	UL & DLC
156748	BLT-LHBC(240/270/300)W-50KLV-S	240W/270W/310W	46810LM	4K / 5K	White	277-480V	N/A	UL & DLC

SKU: 156746

Specifications

Parameter	Description	Value
General Performance	Model #	BLT-LHBC(240/270/300)W-50KLV-S
	Wattage Adjustable	240W/270W/310W
	Lumen	46810LM
	Lumen Efficacy	Up to 150LM/W
	Color Temperature	4000K / 5000K
	CRI (Ra)	>80
	Beam Angle	110 Degree
Electrical	Diffuser Type	Polycarbonate
	Input Voltage	120-347Vac
	Frequency	50/60Hz
	Dimming	0-10V
	Power Factor	≥0.9
	Driver Surge Protection	L/N-PE:10kV,L-N:6kV
Physical	Flicker Percent	Flicker Free
	Operating Temperature	-40°C - +50°C
	Operating Humidity	N/A
	Storage Temperature	-40°C - +90°C
	Storage Humidity	N/A
	LED Brand	E-lite
	LED Type	SMD 2835
	LED QTY / Size	224 Pcs / 1.70ft
Qualification	Housing	Aluminum Die Cast
	Housing Color	White
	IP Rating	IP40
	Warranty	5 Year Warranty

LED LINEAR HIGH BAY



LOYA

2nd Gen

LED Linear High Bay

SKU: 156747

Specifications

Parameter	Description	Value
General Performance	Model #	BLT-LHBC(240/270/300)W-50KLV-S
	Wattage Adjustable	240W/270W/310W
	Lumen	46810LM
	Lumen Efficacy	Up to 150LM/W
	Color Temperature	4000K / 5000K
	CRI (Ra)	>80
	Beam Angle	110 Degree
	Diffuser Type	Polycarbonate
Electrical	Input Voltage	120-277Vac
	Frequency	50/60Hz
	Dimming	0-10V
	Power Factor	≥0.9
	Driver Surge Protection	L/N-PE:10kV,L-N:6kV
	Emergency Battery	40 Watt
	Flicker Percent	Flicker Free
Physical	Operating Temperature	-40°C - +50°C
	Operating Humidity	N/A
	Storage Temperature	-40°C - +90°C
	Storage Humidity	N/A
	LED Brand	E-lite
	LED Type	SMD 2835
	Size	1.70ft
	LED QTY	224 Pcs
	Housing	Aluminum Die Cast
Housing Color	White	
Qualification	IP Rating	IP40
	Warranty	5 Year Warranty

LED LINEAR HIGH BAY

LOYA™

2nd Gen

LED Linear High Bay



SKU: 156748

Specifications

Parameter	Description	Value
General Performance	Model #	BLT-LHBC(240/270/300)W-50KLV-S
	Wattage Adjustable	240W/270W/310W
	Lumen	46810LM
	Lumen Efficacy	Up to 150LM/W
	Color Temperature	4000K / 5000K
	CRI (Ra)	>80
	Beam Angle	110 Degree
	Diffuser Type	Polycarbonate
Electrical	Input Voltage	277-480Vac
	Frequency	50/60Hz
	Dimming	0-10V
	Power Factor	≥0.9
	Driver Surge Protection	L/N-PE:10kV,L-N:6kV
	Flicker Percent	Flicker Free
Physical	Operating Temperature	-40°C - +50°C
	Operating Humidity	N/A
	Storage Temperature	-40°C - +90°C
	Storage Humidity	N/A
	LED Brand	E-lite
	LED Type	SMD 2835
	Size	1.70ft
	LED QTY	224 Pcs
	Housing	Aluminum Die Cast
	Housing Color	White
Qualification	IP Rating	IP40
	Warranty	5 Year Warranty

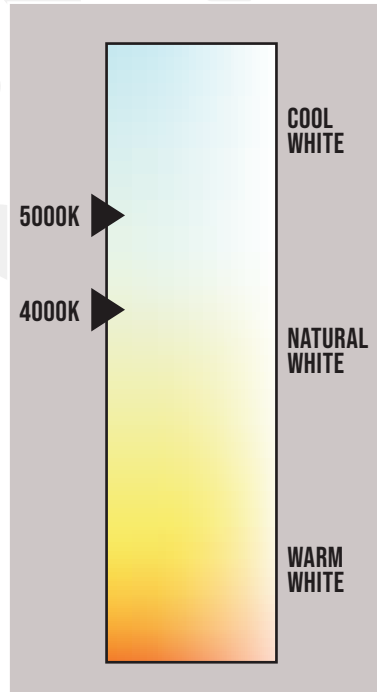
LED LINEAR HIGH BAY



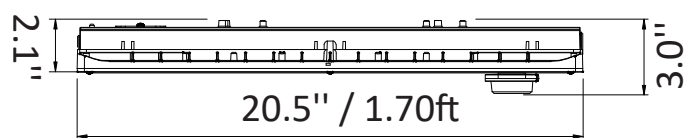
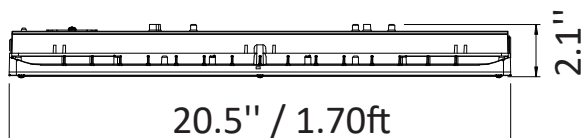
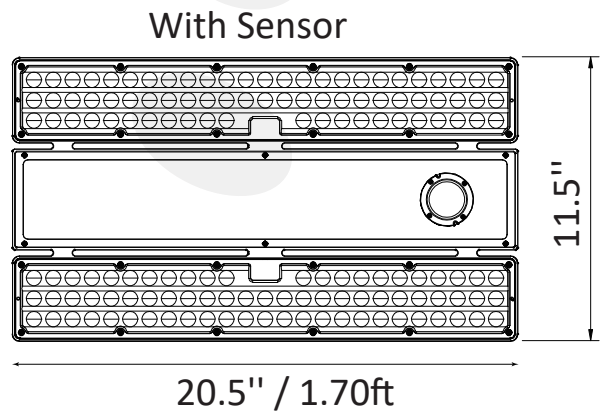
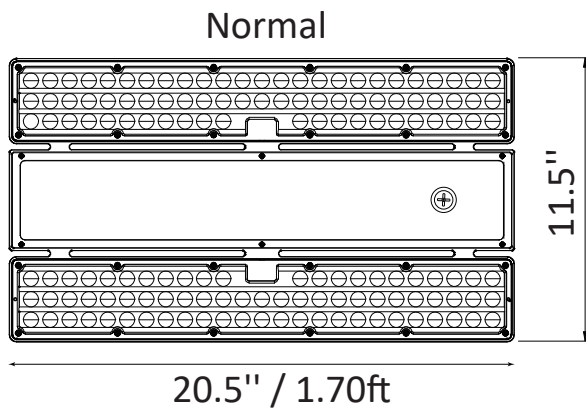
LOYA

2nd Gen LED Linear High Bay

Correlated Color Temperature (CCT)



Dimensions

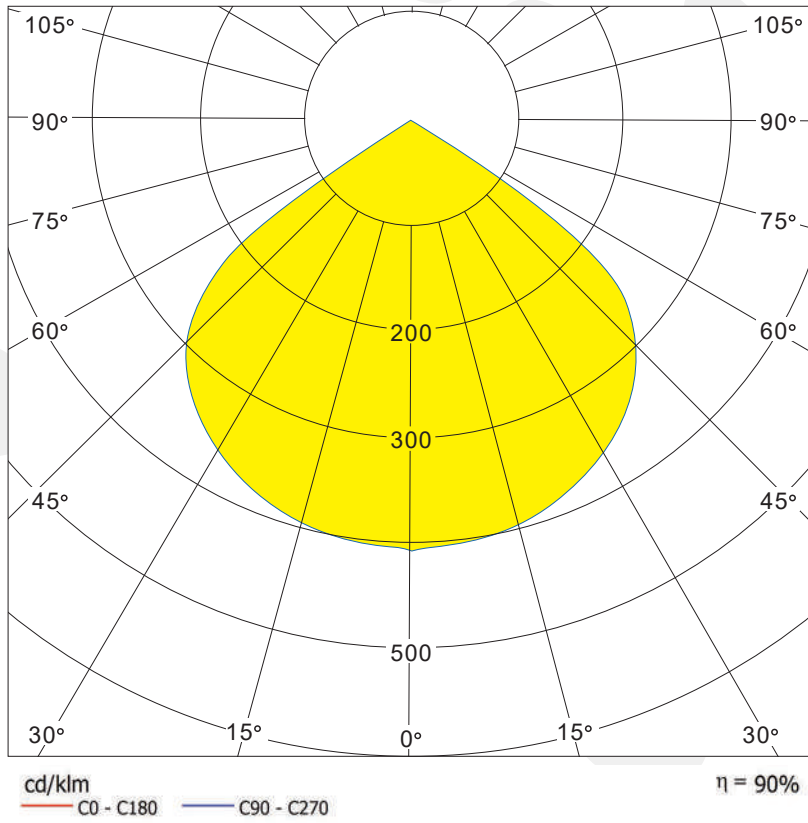


LOYA™

2nd Gen LED Linear High Bay



Photometric Diagrams



Beam Angle: 105°

LED LINEAR HIGH BAY

Accessories



Motion Sensor
SKU: 156749



Remote Controller
SKU: 156750



Air Craft Cable



40W Emergency Driver
SKU: 156245



LOYA

2nd Gen

LED Linear High Bay

Installation

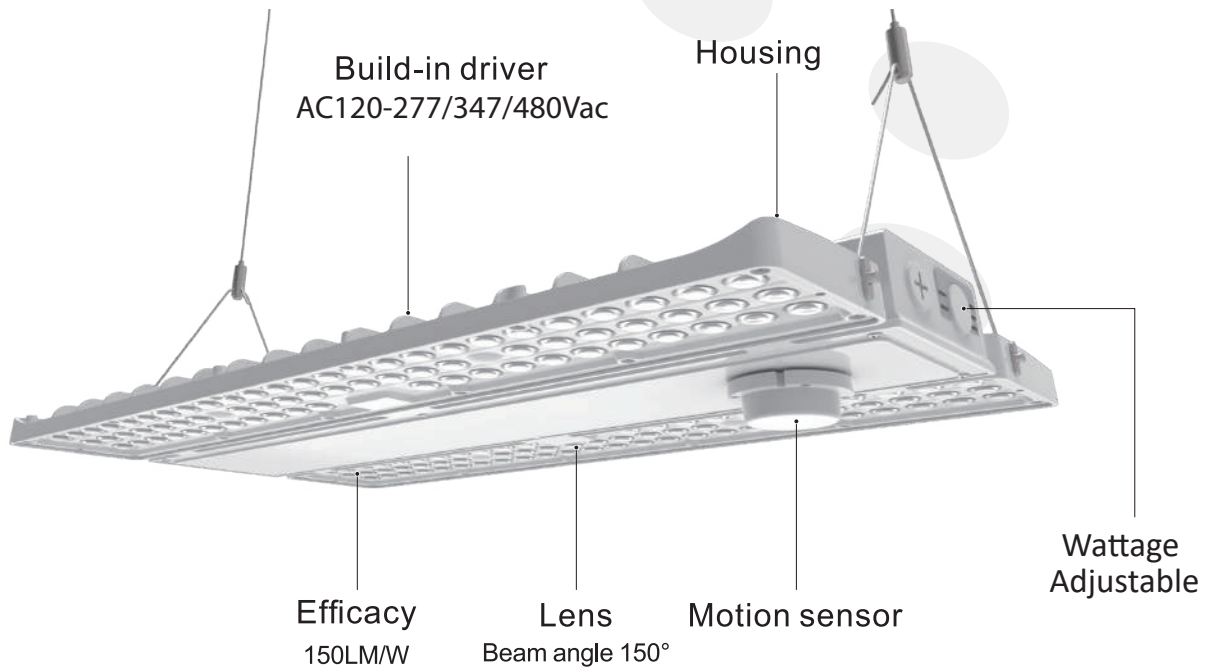
Application

Widely used in Warehouse • Stadiums • Factories • Supermarket • Logistics Center • Exhibition Hall.

Notes before Installation

1. Be careful to open the carton, contact us if any damage.
2. This product must be installed in accordance with the applicable installation, code by a person familiar with the construction and operation of the product and the hazards involved.
3. "caution - risk of shock" and "disconnect power before servicing" when photoelectric switch provided.
4. Please check whether the voltage marked on the luminaire is consistent with the input voltage to be connected, so as not to damage the LED luminaire.
5. To ensure the lifetime of the product, please do not use it in a place with strong acid mist.
6. Make sure the installation position can withstand 10 times the weight of the luminaire before installation and install it at a flat place without vibration, no swing, no fire hazard.

Overview Description



LOYA™

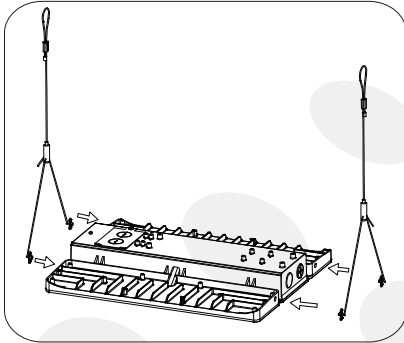
2nd Gen

LED Linear High Bay

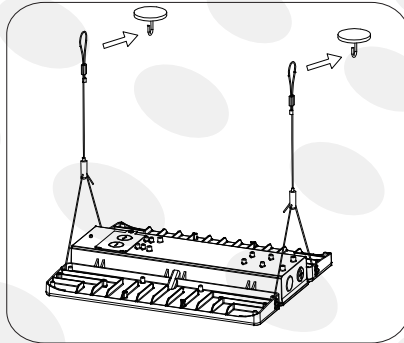


Installation

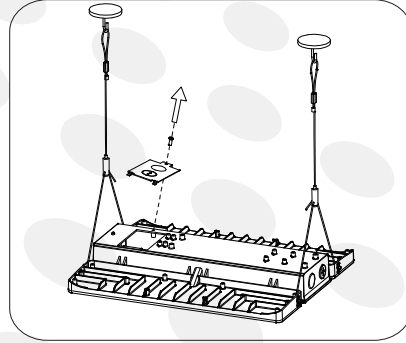
• Chain Mounting



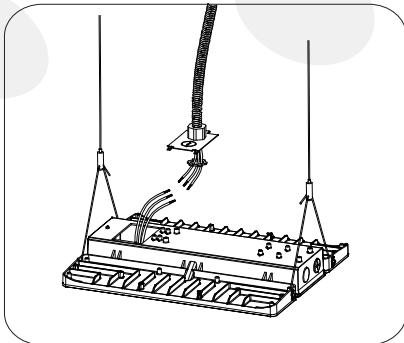
1. Install the lanyard into the light fixture



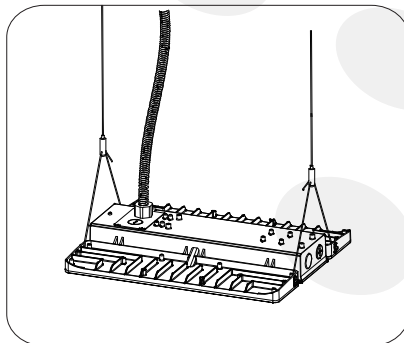
2. Hang the lanyard from the ceiling anchor



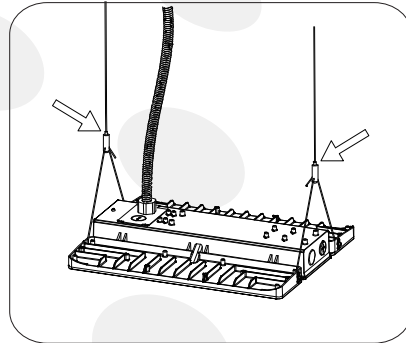
3. Remove the screws and remove the cover



4. Wiring as required and taking safety precautions

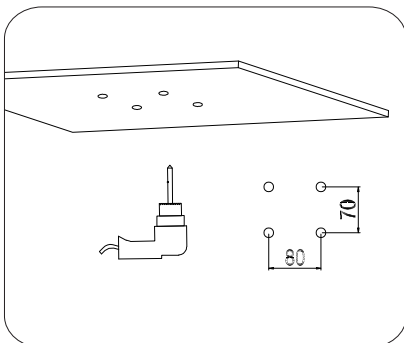


5. lock the lid

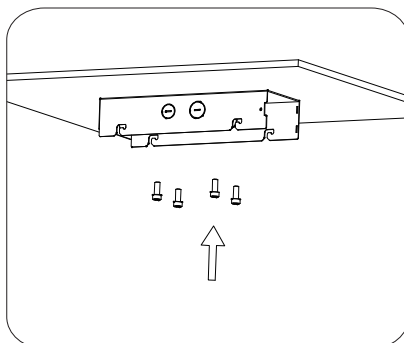


6. Press this switch to adjust to the required length and complete the installation

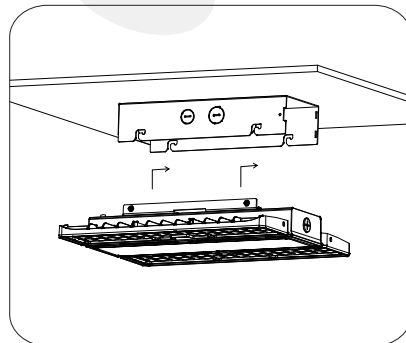
• Ceiling-Surface Mounting



1. Drill holes according to ceiling and size requirements



2. Mount the junction box to the ceiling



3. Install the light into the junction box and tighten the screws

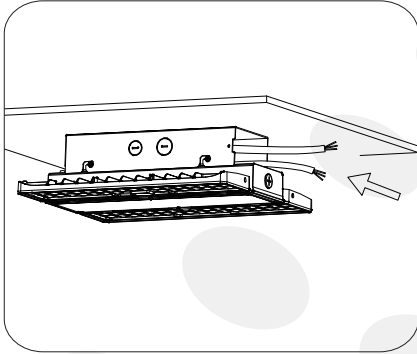


LOYA

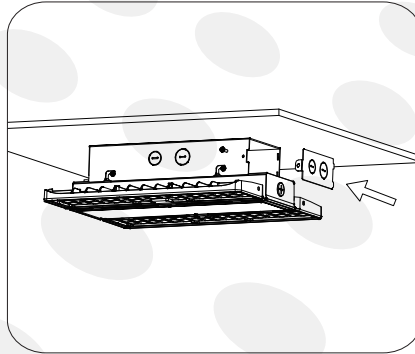
2nd Gen

LED Linear High Bay

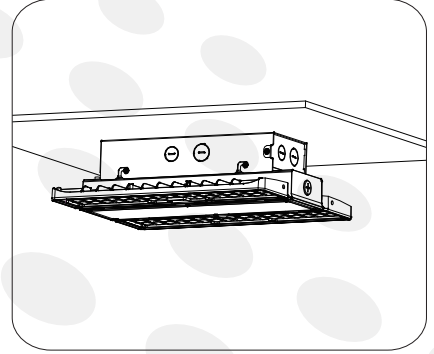
Installation



4. Wiring as required and taking safety precautions

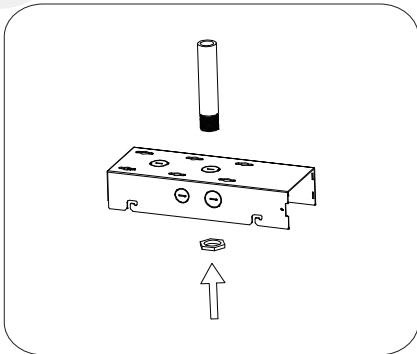


5. Close the cover and tighten the screws

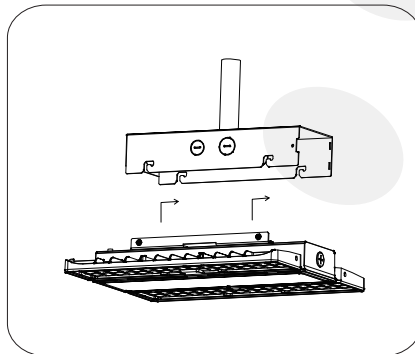


6. Complete installation

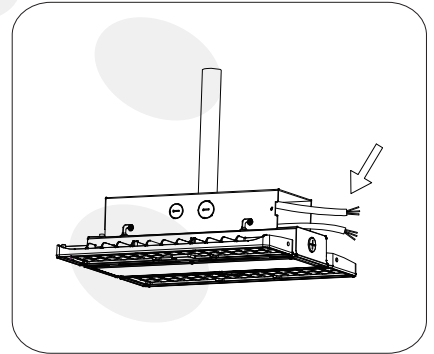
● Pendant Mounting



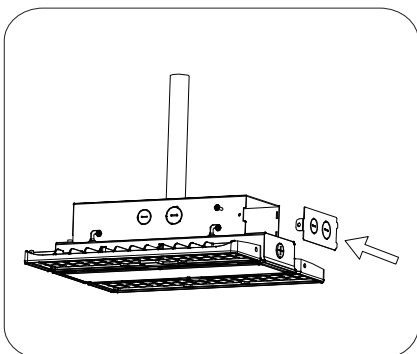
1. Install the junction box on the 3/4" pipe



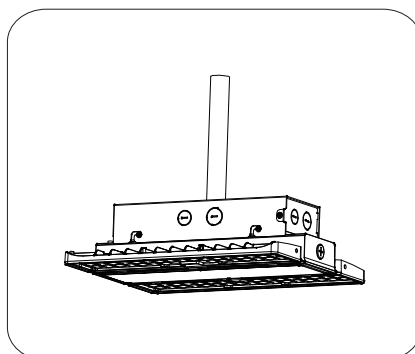
2. Install the light into the junction box and tighten the screws



3. Wiring as required and taking safety precautions



4. Close the cover and tighten the screws



5. Complete installation

LOYA™

2nd Gen LED Linear High Bay



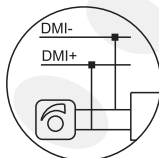
Installation

» wiring diagram



L-black
GND-green
N-white

AC120 - 277/347V 50/60Hz
AC277- 480V 50/60Hz



Dimmer connect the wires:
DMI+match DMI+;
DMI - match DMI-

» Shipping and Warehousing

1. Please do not shake it too much during transportation, handle carefully when unloading.
2. Recommended to be stored in a warehouse of -10~ +60°C and keep the warehouse dry.

» Trouble shooting

PROBLEM	POSSIBLE CAUSE	SOLUTION
Light will not come on	A. Light switch is turned off. B. Fuse is blown or circuit breaker is turned off. C. Incorrect circuit wiring.	A. Turn light switch on. B. Replace fuse or turn circuit breaker on. C. Verify that fixture is wired properly.



LOYA™

2nd Gen

LED Linear High Bay

Packaging

SKU #.	Carton Size (Inches)	Qty	Net Weight	Gross Weight
156746	22.44 x 13 x 5.3	2 Pcs/Box	15.3 LBS	16.4 LBS
156747	22.4 x 15.7 x 5.7	1 Pc/Box	11.9 LBS	13.0 LBS
156748	22.44 x 13 x 5.3	2 Pcs/Box	16.0 LBS	17.1 LBS

Warranty

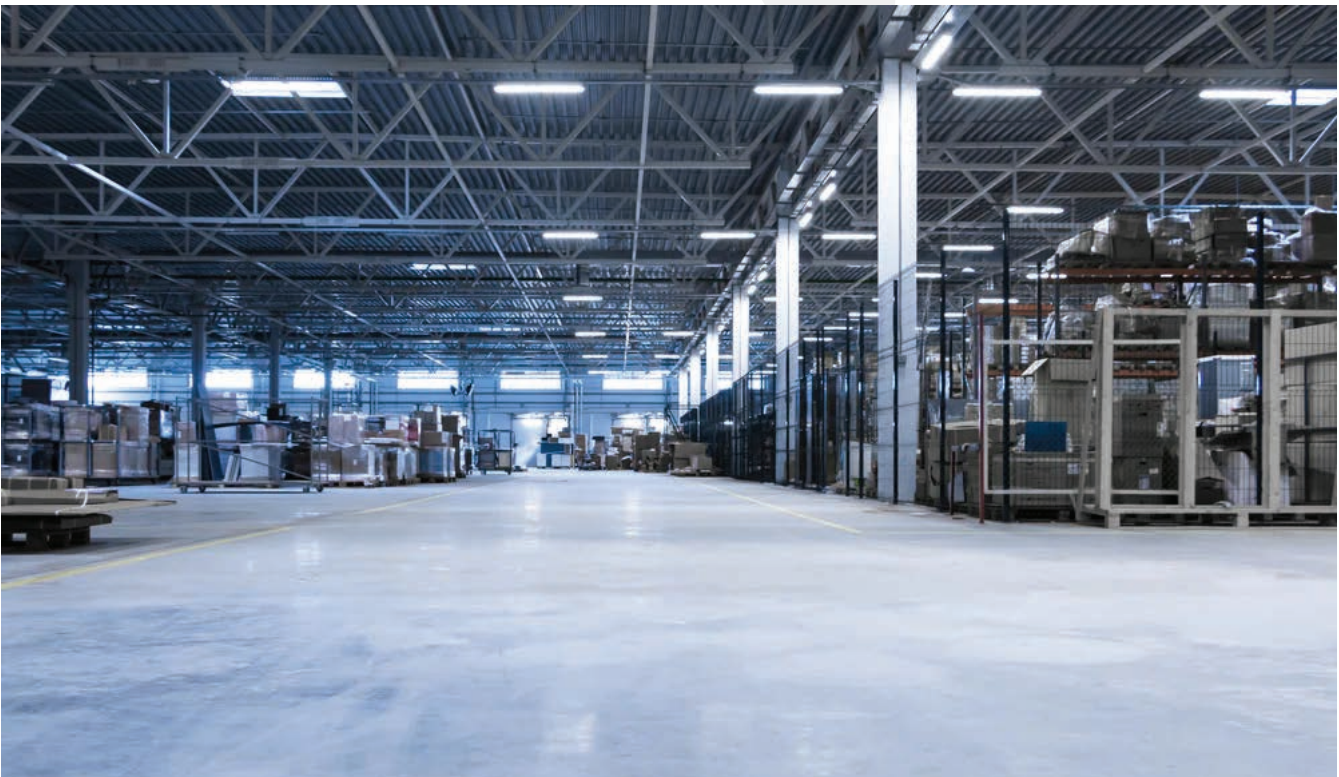
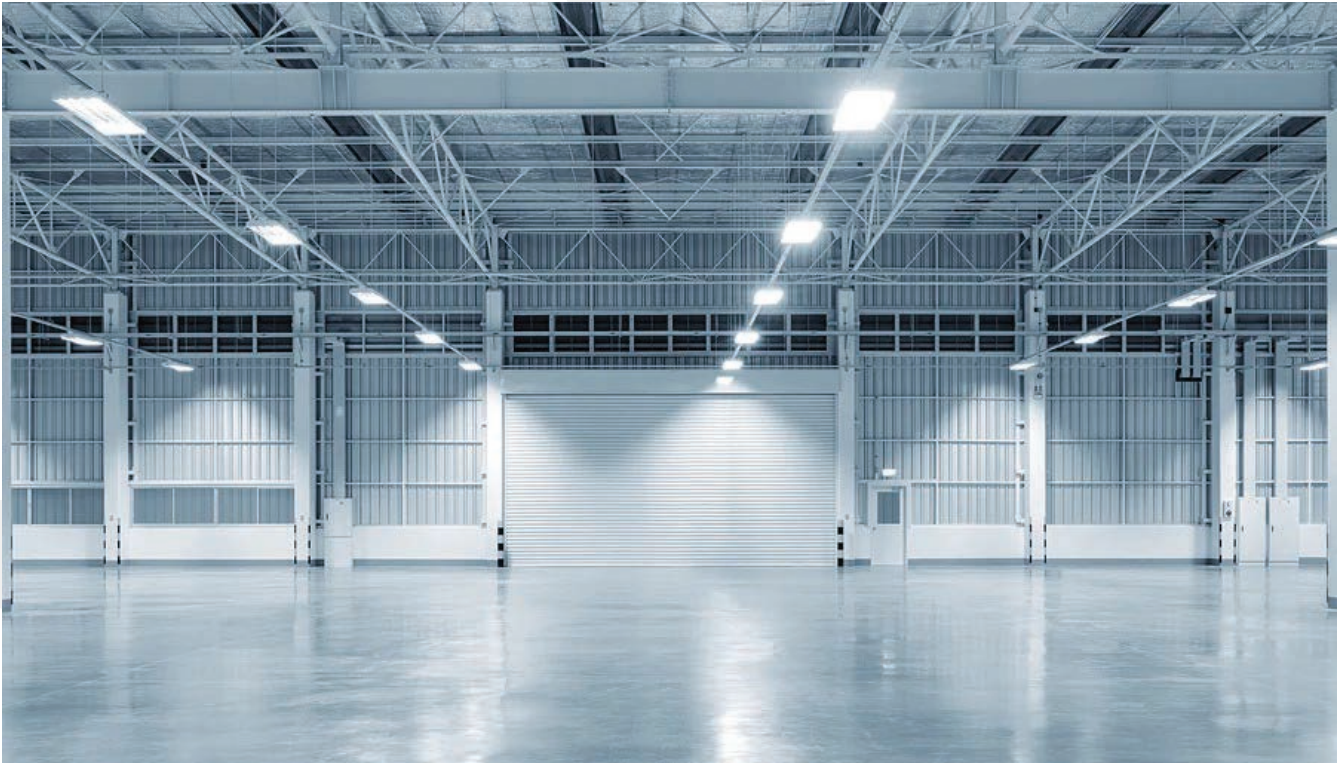
5 Years Warranty

LOYA™

2nd Gen LED Linear High Bay



Application



LED LINEAR HIGH BAY