



# LED Stadium Light

## AL Series



### AL Series

Beyond LED's AL Series Stadium Light is the newest and most unique product of 2021. This High-Quality product is specially designed for all kinds of Stadiums. AL Series offers many different beam lens options to make the perfect stadium light without any dark spots. AL Series goes through many special tests such as the Vibration Test, Salt Spray Test, High Low Temperature Test, Withstand Voltage Test, and UV Aging Test, etc.

- Up to 140 Lumens per watt
- Several Beam Angles options
- Optional Laser Pointer
- 220-480Vac Input Voltage / Optional 100-277Vac
- UL and DLC Listed
- 5 years warranty

# LED Stadium Light

## AL Series

### AL Series - LED Sport Light

| SKU #  | Model #                     | Housing | Watts | Lumens   | CCT   | IP   | Input Voltage | Certifications |
|--------|-----------------------------|---------|-------|----------|-------|------|---------------|----------------|
| 151256 | BLT-SP01B-600WSXYB1-abcdef  | Black   | 600W  | 87000Lm  | 5000K | IP65 | 220-480Vac    | UL             |
| 150961 | BLT-SP01B-750WSXYB1-abcdef  | Black   | 750W  | 108750Lm | 5000K | IP65 | 220-480Vac    | UL             |
| 151257 | BLT-SP01B-1000WSXYB1-abcdef | Black   | 1000W | 145000Lm | 5000K | IP65 | 220-480Vac    | UL             |
| 151258 | BLT-SP01-1200WMHT1B1-acd    | Black   | 1200W | 174000Lm | 5000K | IP65 | 220-480Vac    | UL             |

## Specifications

|                       | 600W               | 750W               | 1000W               | 1200W                  |
|-----------------------|--------------------|--------------------|---------------------|------------------------|
| Color temperature     | 5000K              |                    |                     |                        |
| CRI                   | >70                |                    |                     |                        |
| Lumen                 | 87000Lm            | 108750Lm           | 145000Lm            | 174000Lm               |
| Input Power           | 600W               | 750W               | 1000W               | 1200W                  |
| Lumen Efficacy        | 145Lm/W            |                    |                     |                        |
| Beam Angle(50%)       | 40°                |                    |                     |                        |
| Input Voltage         | 220-480Vac         |                    |                     |                        |
| Driver Brand          | SS-200VP-56BH*3PCS | SS-240VP-56BH*3PCS | SS-240VP-56BH*4PCS  | Mean Well HLG-320H-48B |
| PF                    | >0.9               |                    |                     |                        |
| Waterproof Rating     | Wet IP65           |                    |                     |                        |
| EPA                   | 2.5ft <sup>2</sup> |                    | 3.14ft <sup>2</sup> |                        |
| LED Brand             | SEOUL              |                    |                     | OSRAM                  |
| LED Type              | SMD3030            |                    |                     | SMD3737                |
| LED QTY               | 630                | 840                | 1008                | 512                    |
| Housing               | Aluminum           |                    |                     |                        |
| Housing color         | Black              |                    |                     |                        |
| Cover                 | Lens               |                    |                     |                        |
| Operating Temperature | -40°F to 113°F     |                    |                     |                        |
| Operating Humidity    | 10%RH -90%RH       |                    |                     |                        |
| Storage Temperature   | -40°F to 176°F     |                    |                     |                        |
| Storage Humidity      | 10%RH -90%RH       |                    |                     |                        |
| Application           | Outdoor            |                    |                     |                        |
| Safety Certification  | UL, cUL            |                    | UL, cUL, DLC        |                        |
| Warranty Time         | 5 Years            |                    |                     |                        |



Optional Easy Aiming Light with Laser pointer - SKU:151606



Optional Lighting Accessories Lenses for Multiple Beam Angles



(866) 786-1117 • [www.BeyondLEDTechnology.com](http://www.BeyondLEDTechnology.com)

Due to continuous product improvement, information in this document is subject to change.

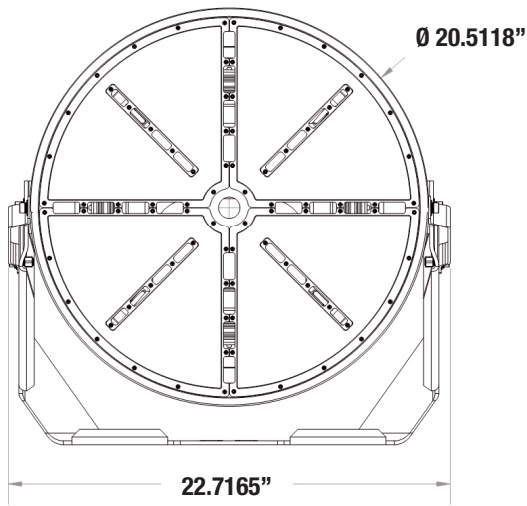
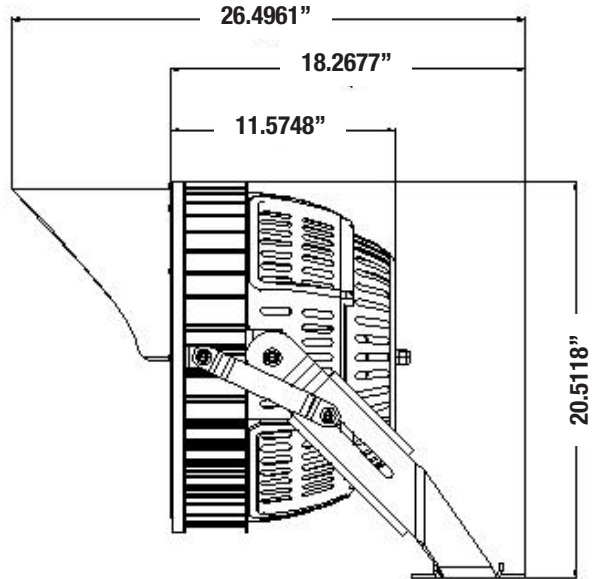
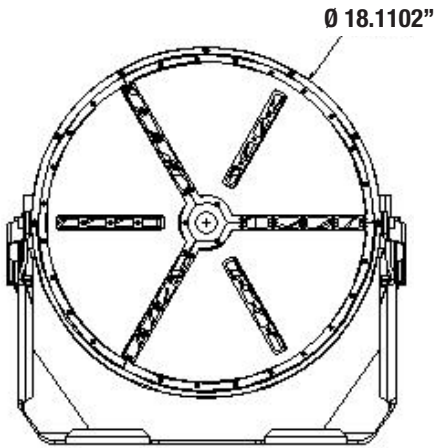
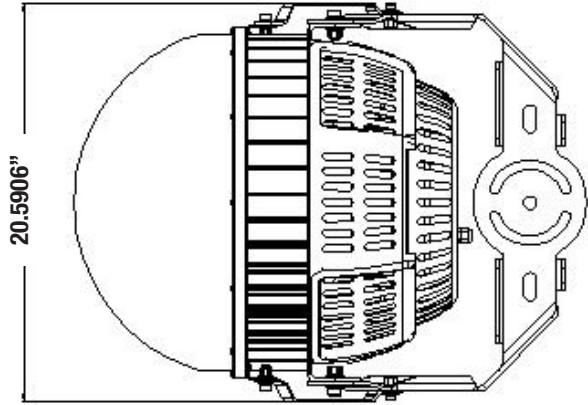
# LED Stadium Light

## AL Series

### Dimensions

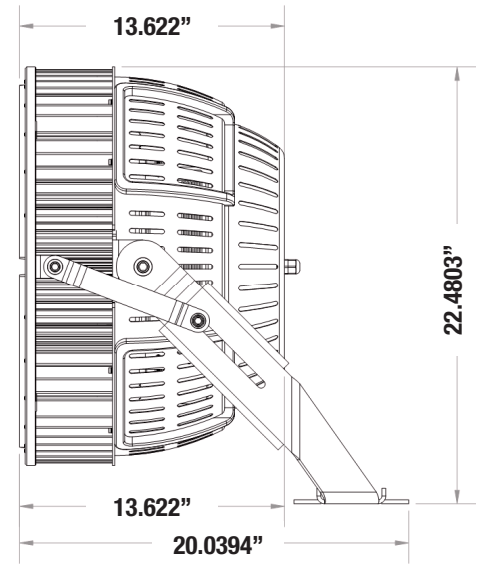
**600W/750W**

26.4961x20.5906x20.5118"



**1000W/1200W**

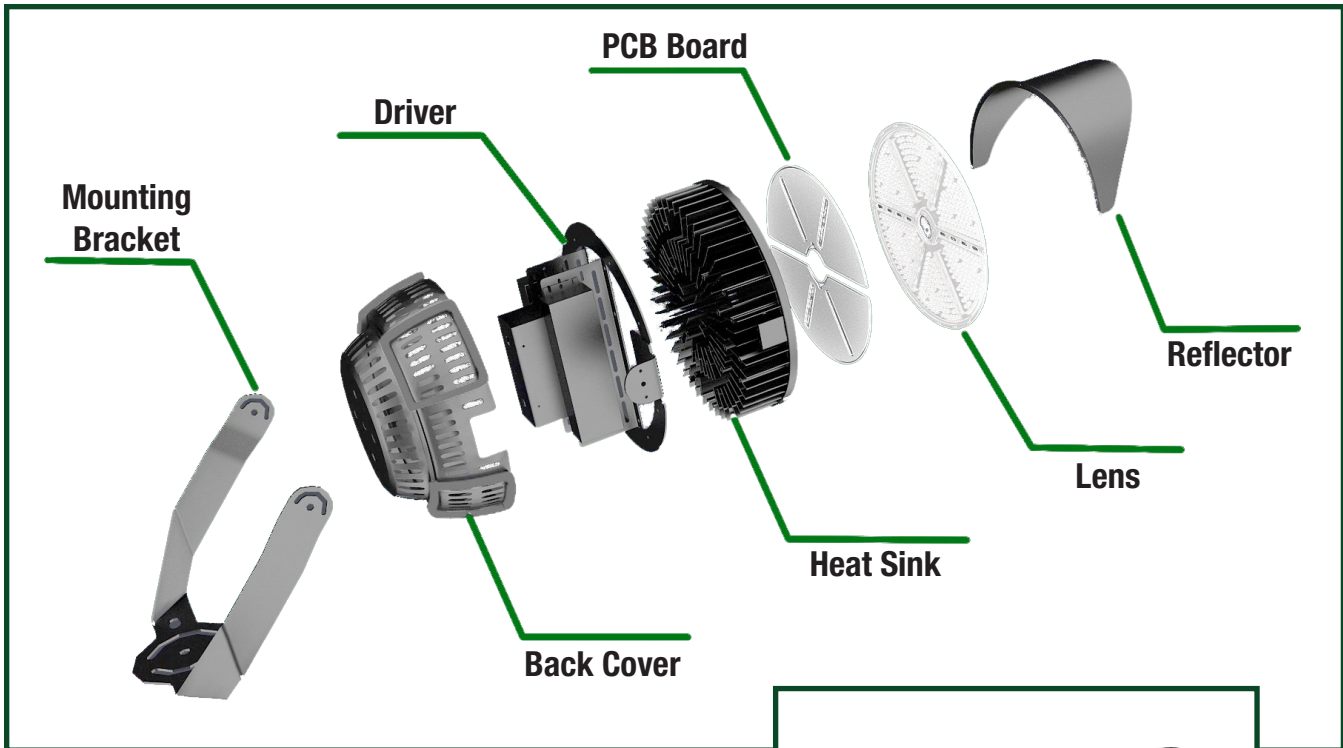
22.7165x20.0394x22.4803"



# LED Stadium Light

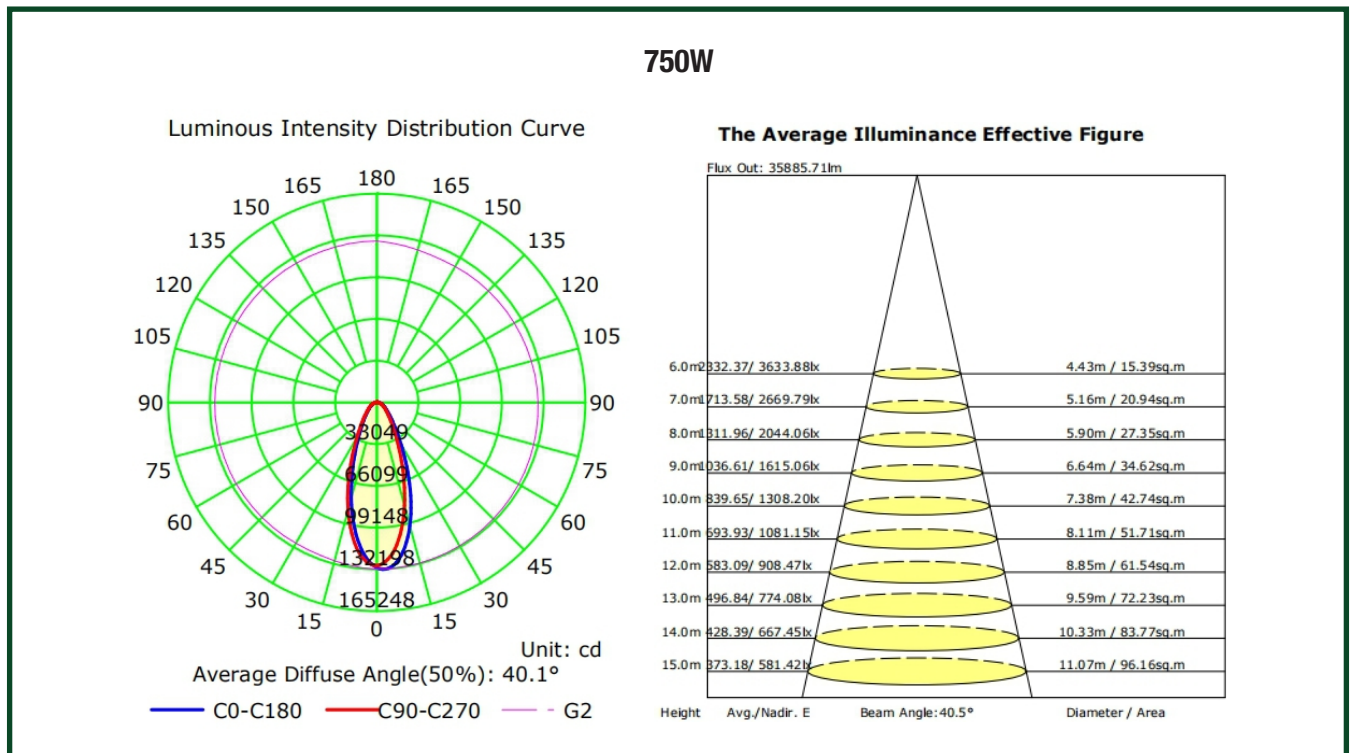
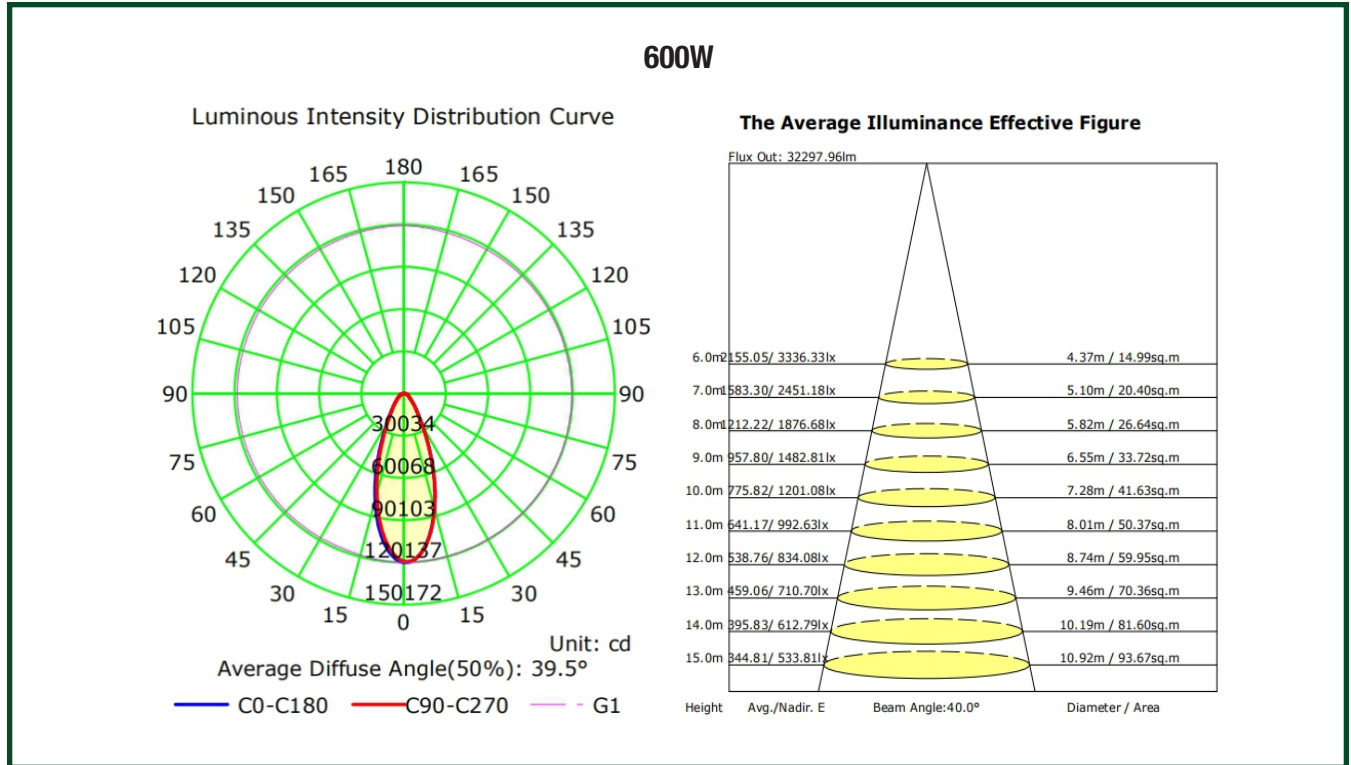
## AL Series

### Components



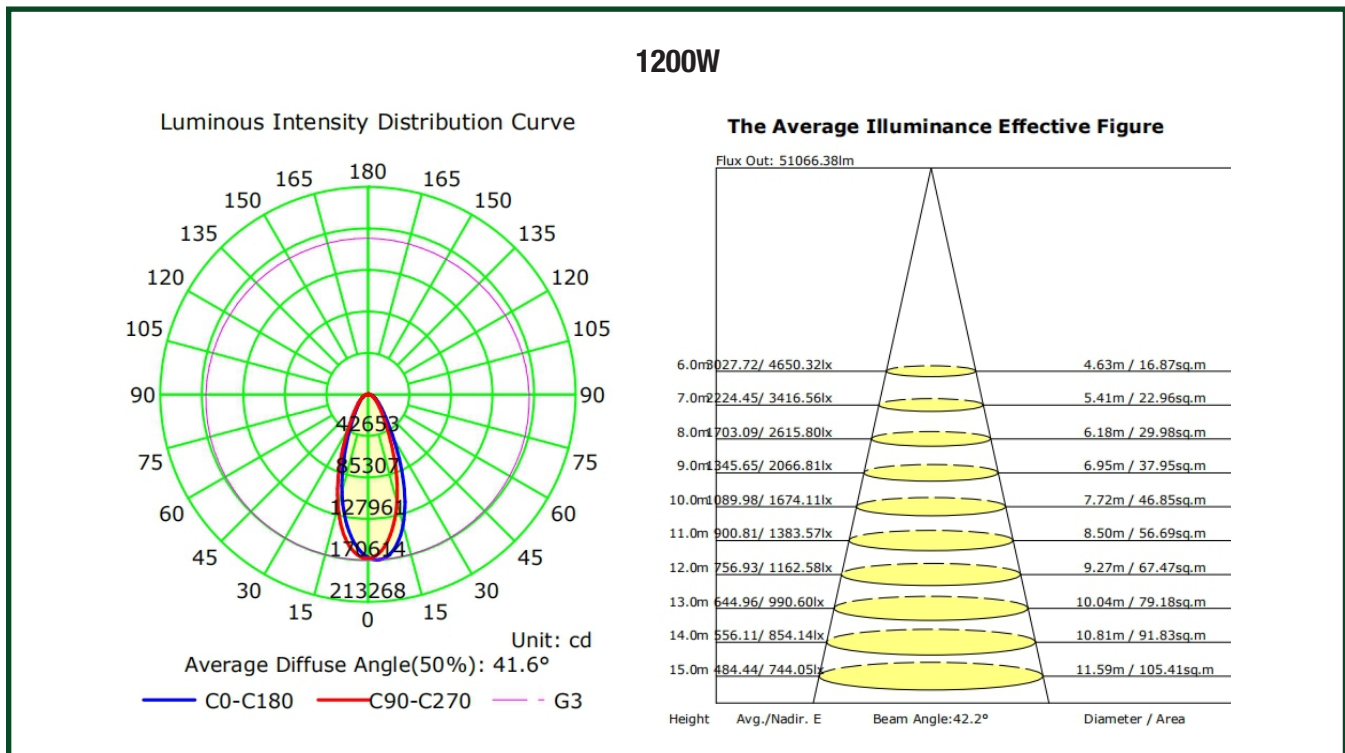
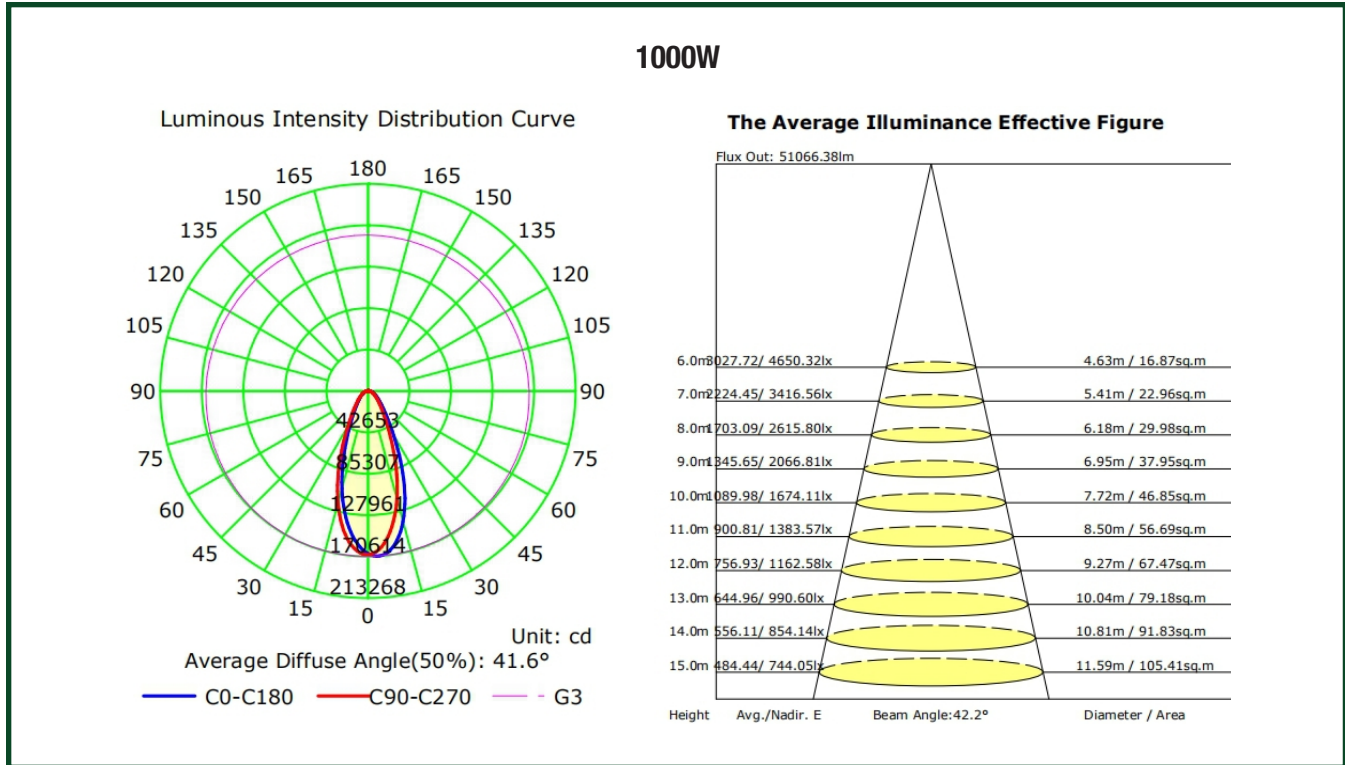
# LED Stadium Light AL Series

## Distribution Diagram



# LED Stadium Light AL Series

## Distribution Diagram



# LED Stadium Light

## AL Series

### Installation

#### Applications:

For stadiums and large squares lighting, can also be used for shipyards, airports, docks and other high pole installation application; can be used for long-distance small-angle projection and large architectural outline lighting.

#### Cautions:

1. The product should be installed, inspected and maintained by a qualified electrician in accordance with local national electrical safety regulations;
2. Please turn off the power before checking, installing or removing;
3. Ensure that the voltage used is the voltage within the product identification range;
4. Use wires that comply with UL (or other local standards) for wiring. The voltage AC100-277V should be wired with not less than 14 AWG, and the voltage AC277-480V should be wire with not less than 16 AWG;
5. Do not install in a hazardous environment. The ambient temperature must not exceed the rated operating temperature of the product;
6. Do not install the product when it rains. Avoid the danger of lightning strikes and avoid accidents;
7. Please use with listed waterproof strain relief bushing when connecting the power supply cord to outlet box.
8. Can not use the electric generator to test the LED lamp.

#### Note:

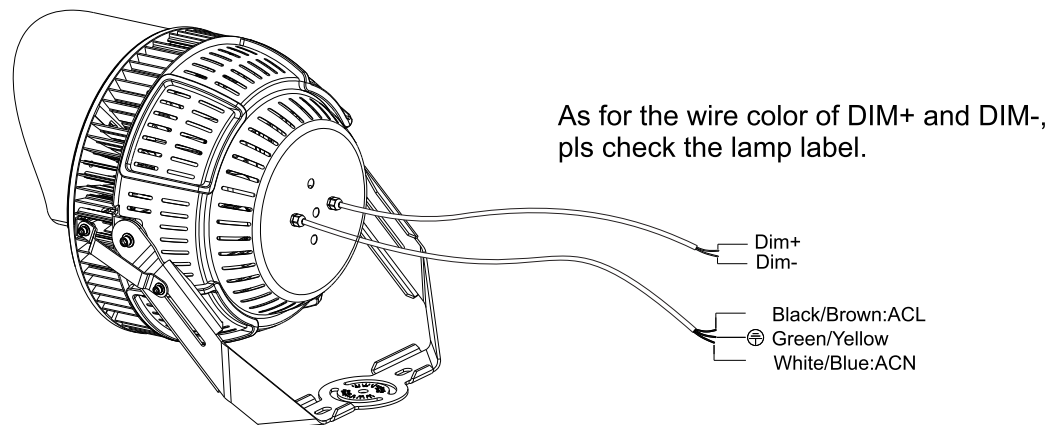
This product has dimming function.

This product is compatible with the following three types of dimming methods:

- (1) 1-10VDC dimming.
- (2) PWM dimming.
- (3) Resistor dimming.

According to the user's needs to choose the wiring, dimming method and installation.

#### Wiring diagram:



# LED Stadium Light

## AL Series

### Installation

#### Installation Method One (Pole Mounting):

1. Mark the hole distance S1 shown in the product to be installed (Figure 1);
2. Drill two holes of distance S1 on the mounting bar (Figure 2).

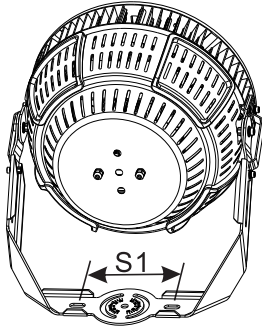


Figure 1

| POWER | 400/500W | 600/750W | 1000/1200W |
|-------|----------|----------|------------|
| S1    | 185mm    | 220mm    | 220mm      |

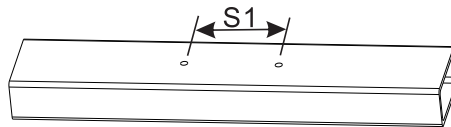


Figure 2

3. Install the luminaire on the crossbar and secure it with nuts, spring washers and flat washers (Figure 3).

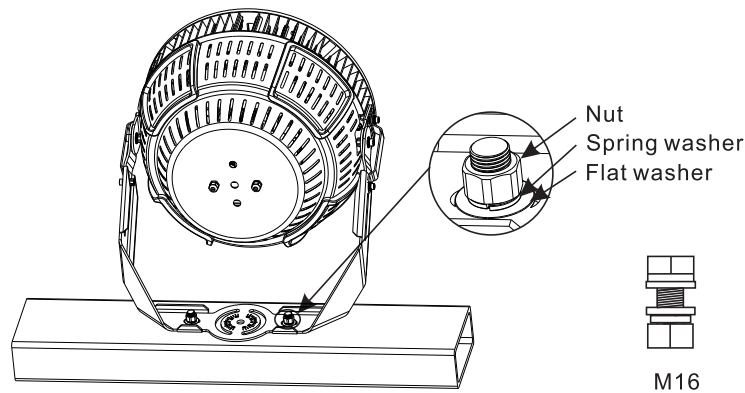


Figure 3

4. Use an open-end wrench and hex wrench to loosen the adjustment screw used to adjust the angle (Figure 4).

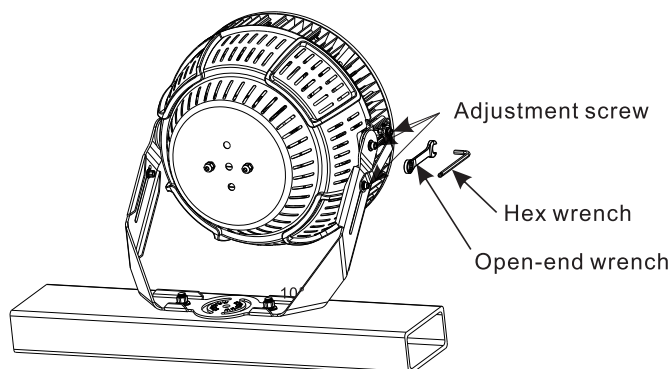


Figure 4



# LED Stadium Light

## AL Series

### Installation

5. According to the need, adjust the projection angle, angle adjustment range (Figure 5);

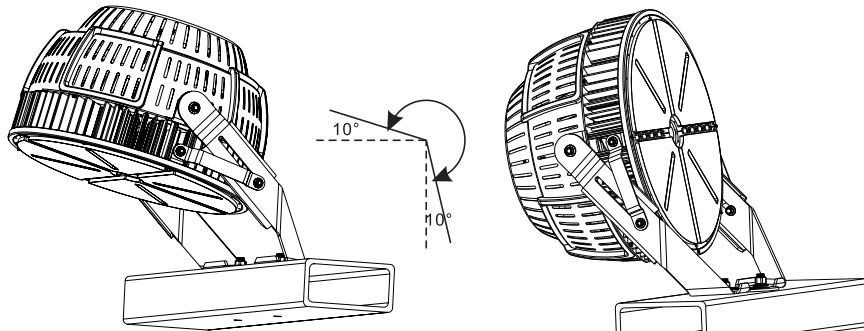


Figure 5

6. Complete the projection angle adjustment and lock the adjustment screw;
7. Fix the light shield to the luminaire with a screwdriver as required (Figure. 6).

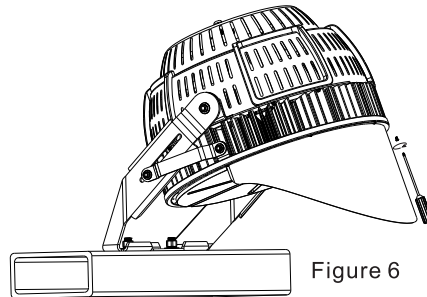


Figure 6

8. According to the previous wiring diagram and select one desired method for wiring.

#### Installation method II (disc holder installation):

1. Fix the product on the disc holder and lock the screws, no need too tight. (Figure 7);
2. According to the need to adjust the lighting direction, can be 360 degrees rotation adjustment, tightened with screws when the adjustment is completed (Figure 8);

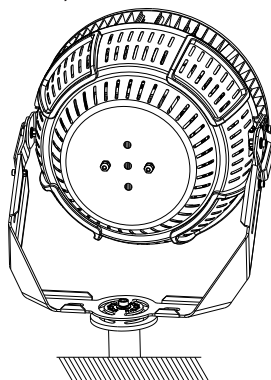


Figure 7

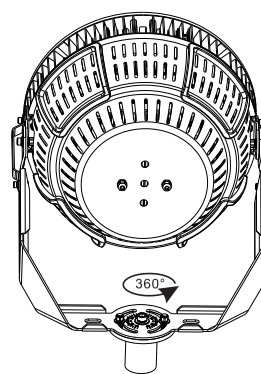
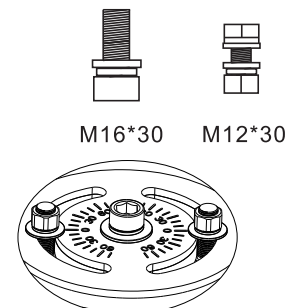


Figure 8



# LED Stadium Light

## AL Series

### Installation

3. Use an open-end wrench and hex wrench to loosen the adjusting screw for adjusting the angle (Figure 9)
4. According to the need, carry out the projection angle adjustment, angle adjustment range (Figure 10);

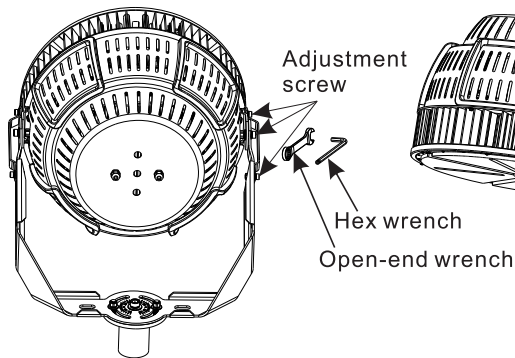


Figure 9

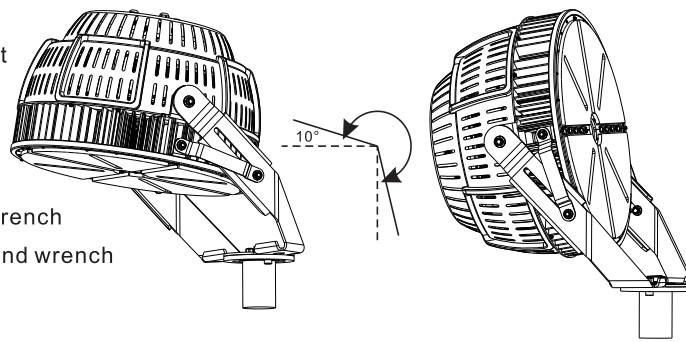


Figure 10

5. Complete the projection angle adjustment and lock the adjustment screw;
6. Fix the light barrier to the luminaire with a screwdriver as required (figure 11)

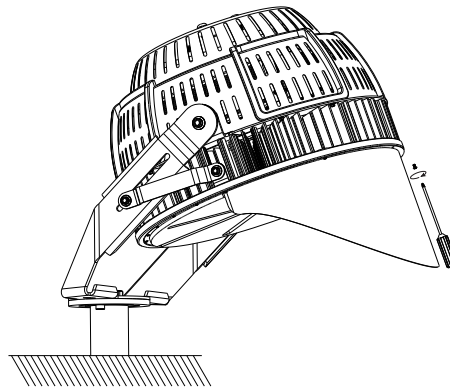


Figure 11

7. According to the previous wiring diagram and select one method for wiring.

#### MIN 75 °C SUPPLY CONDUCTOR

THIS PRODUCT MUST BE INSTALLED IN ACCORDANCE WITH THE APPLICABLE INSTALLATION CODE BY A PERSON FAMILIAR WITH THE CONSTRUCTION AND OPERATION OF THE PRODUCT AND THE HAZARDS INVOLVED.

ALL COMPONENTS IN THE LUMINAIRE SHALL NOT BE REPLACED OR SERVICED.

#### LES FILS D'ALIMENTATION 75 °C

CE PRODUIT DOIT ÊTRE INSTALLÉ SELON LE CODE D'INSTALLATION PERTINENT, PAR UNE PERSONNE QUI CONNAÎT BIEN LE PRODUIT ET SON FONCTIONNEMENT AINSI QUE LES RISQUES INHÉRENTS.

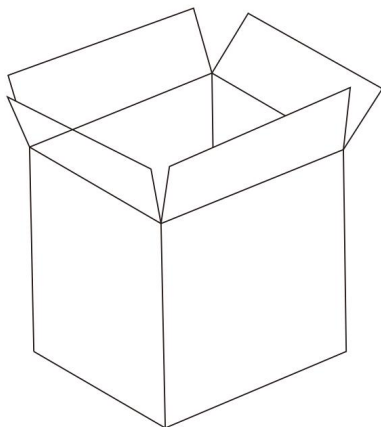
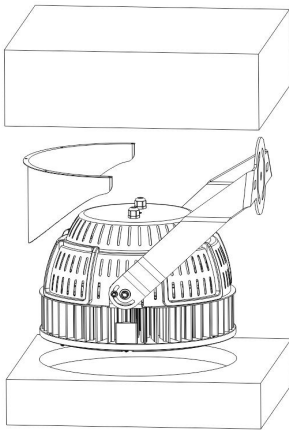
# LED Stadium Light

## AL Series

### Packaging

Tolerance of Carton Size:  $\pm 0.590551$  in, Tolerance of Weight:  $\pm 10\%$ .

| Model | Pcs/Box | Dimensions      | Weight | Pallet Quantity | Pallet Weight | Pallet Dimensions |
|-------|---------|-----------------|--------|-----------------|---------------|-------------------|
| 600W  | 1       | 25" X 23" X 23" | 61 Lb  |                 |               |                   |
| 750W  | 1       | 25" X 23" X 23" | 63 Lb  |                 |               |                   |
| 1000W | 1       | 27" X 25" X 24" | 73 Lb  |                 |               |                   |
| 1200W | 1       | 27" X 25" X 24" | 78 Lb  |                 |               |                   |



# LED Stadium Light

## AL Series

### User Notice

- Please turn off the power before installing or changing assembly parts.
- The input voltage and lamps should be matching. Before connecting the power line, please make sure the wiring section is insulated.
- Only professionals should install and disassemble the lamps.

### Trouble Shooting

- Flickering light - Turn off the power and turn on again in 3 minutes. If the same phenomena occurs, then call Support.
- Not working - Please check all power connections.

