



# UFO TNT

## LED Round High Bay



### UFO TNT

Beyond LED Technology's TNT UFO High Bay is the newest and feature rich product of 2020. TNT is built to last with 4kv surge protection standard, 113°F ambient temperature rating, and IP66 rated for elimination of dust, moisture, and airborne contaminants. The unique, easy connect driver to optical assembly interface allows for quick and easy maintenance for applications including warehousing, gymnasiums, manufacturing, and outdoor canopies. TNT High Bay is fully ready to integrate with most smart control systems.

- Ultra thin Sleek Design
- 0-10V Dimmable
- Up to 150 Lumens per watt
- Optional Plug and Play Motion Sensor
- Several mounting options
- IP66 water, dust, corrosion and pressure proof
- Optional Emergency backup
- Universal 120-277Vac, optional 347/480Vac
- DLC Premium listed

# UFO TNT

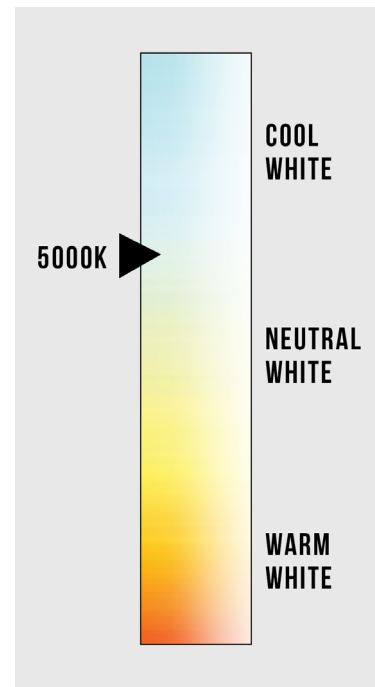
## LED Round High Bay

### UFO TNT - HD High Bay Light

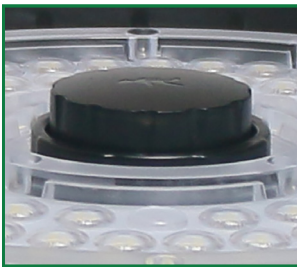
SKU #	Model #	Watts	Lumens	CCT	CRI	Input Voltage	Certifications
151609	BLT-TNTHB100-XXK-LV-YZ-X	100W	15000Lm	5000K	>70	120-277Vac	UL & DLC
151227	BLT-TNTHB150-XXK-LV-YZ-X	150W	22500Lm	5000K	>70	120-277Vac	UL & DLC
151226	BLT-TNTHB250-XXK-LV-YZ-X	250W	37500Lm	5000K	>70	120-277Vac	UL & DLC



### CORRELATED COLOR TEMPERATURE (CCT)



**Optional  
Motion Sensor  
SKU: 151240**



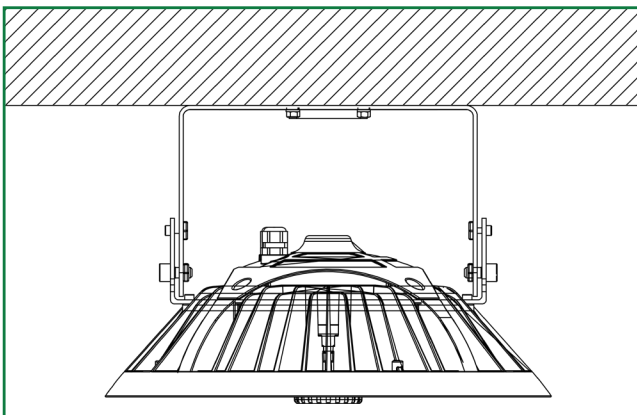
**Optional  
AC Emergency Driver  
SKU: 151230**



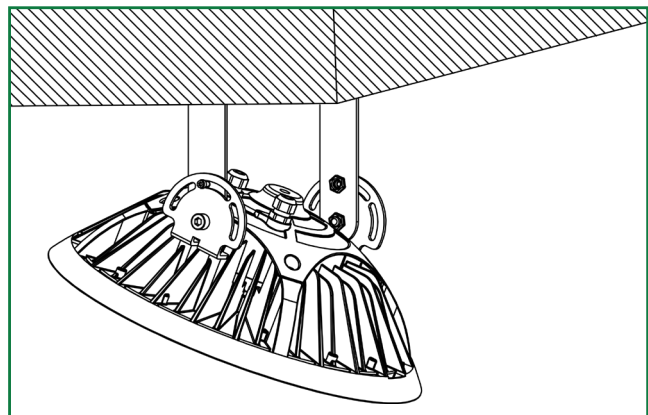
**Optional  
Motion Sensor Remote  
SKU: 151241**



**Optional U-Bracket  
100W/150W SKU: 151229**

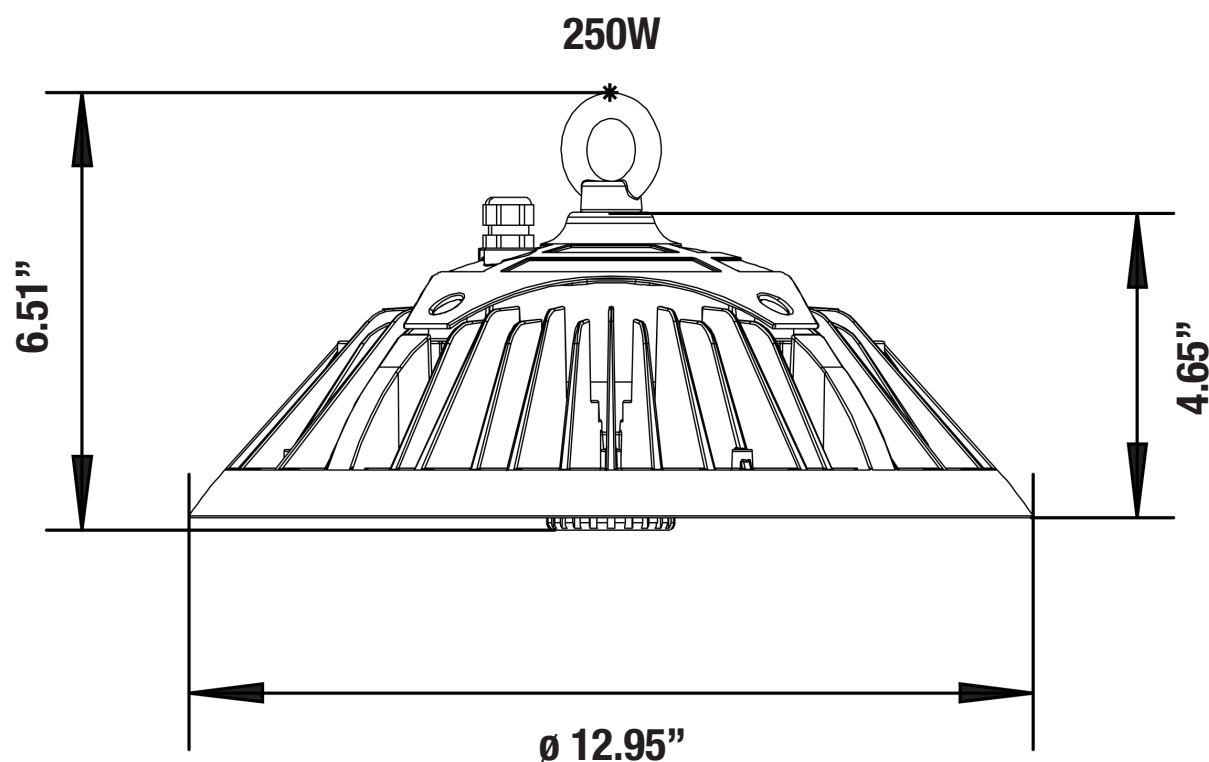
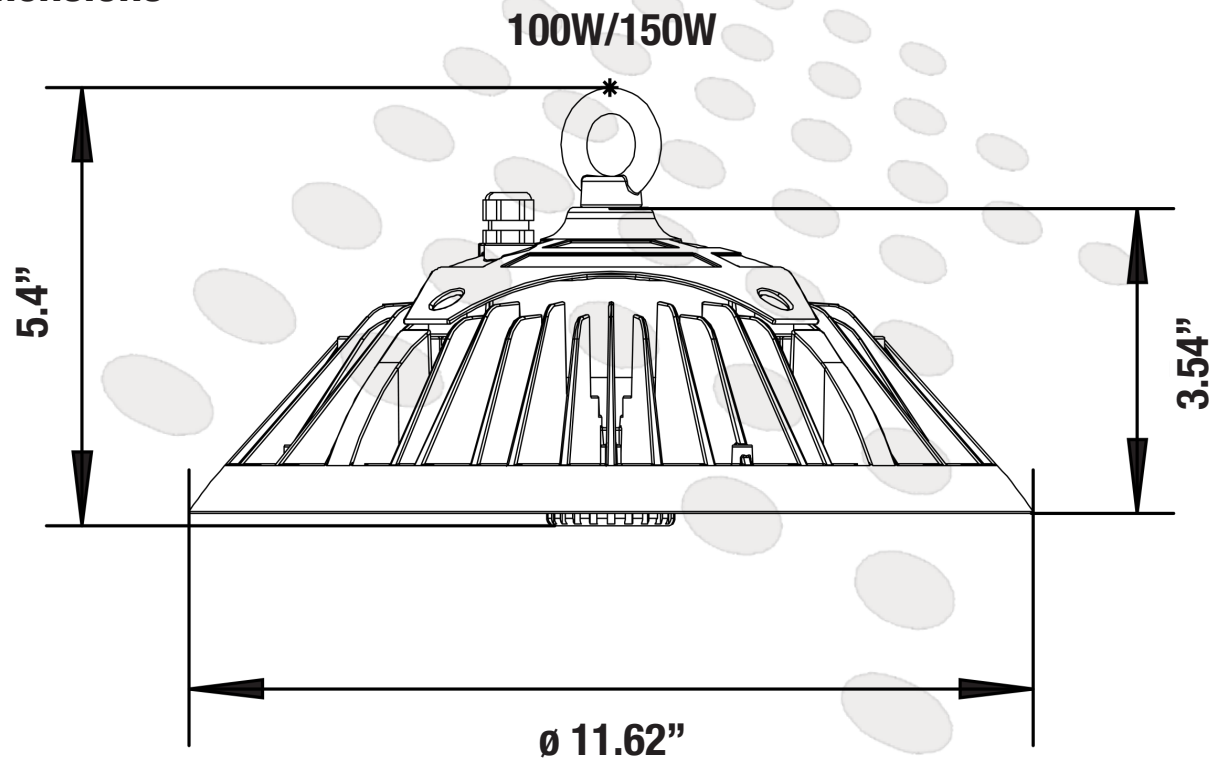


**Optional U-Bracket  
250W SKU: 151228**



# UFO TNT LED Round High Bay

## Dimensions



# UFO TNT LED Round High Bay



## Packing

SKU #	Type	Pcs/Box	Dimensions	Weight	Pallet Quantity	Pallet Weight	Pallet Dimensions
151609	UFO	1	14" X 14" X 6"	8 Lb			
151227	UFO	1	14" X 14" X 6"	8 Lb			
151226	UFO	1	15" X 15" X 7"	12 Lb			

## Safety Precautions

To reduce the risk of death, personal injury or property damage from fire, electric shock, falling parts, cuts/abrasions, and other hazards read all warnings and instructions included with and on the fixture box and all fixture labels.

Before installing, servicing, or performing routine maintenance upon this equipment, follow these general precautions.

Commercial installation, service and maintenance of luminaires should be performed by a qualified licensed electrician.

For The installation: If you are unsure about the installation or maintenance of the luminaires, consult a qualified licensed electrician and check your local electrical code.

To prevent wiring damage or abrasion, do not expose wiring to edges of sheet metal or other sharp objects.

Do not make or alter any open holes in an enclosure of wiring or electrical components during kit installation.

### **WARNING: RISK OF FIRE OR ELECTRICAL SHOCK**

Turn off electrical power at fuse or circuit breaker box before wiring fixture to the power supply.

Turn off the power when you perform any maintenance.

Verify that supply voltage is correct by comparing it with the luminaire label information.

Make all electrical and grounded connections in accordance with the National Electrical Code and any applicable local code requirements.

All wiring connections should be capped with UL approved wire connectors.

### **CAUTION: RISK OF INJURY**

Avoid direct eye exposure to the light source while it is on.

Account for small parts and destroy packing material, as these may be hazardous to children.

(866) 786-1117 • [www.BeyondLEDTechnology.com](http://www.BeyondLEDTechnology.com)

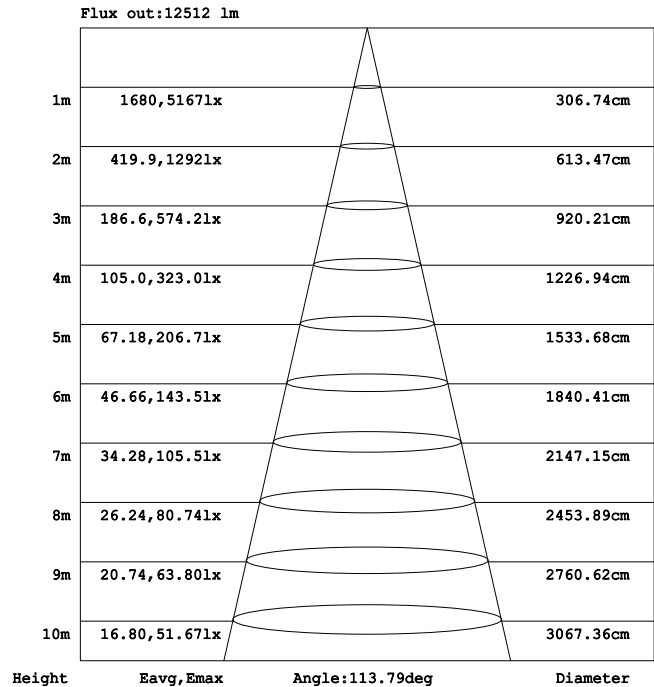
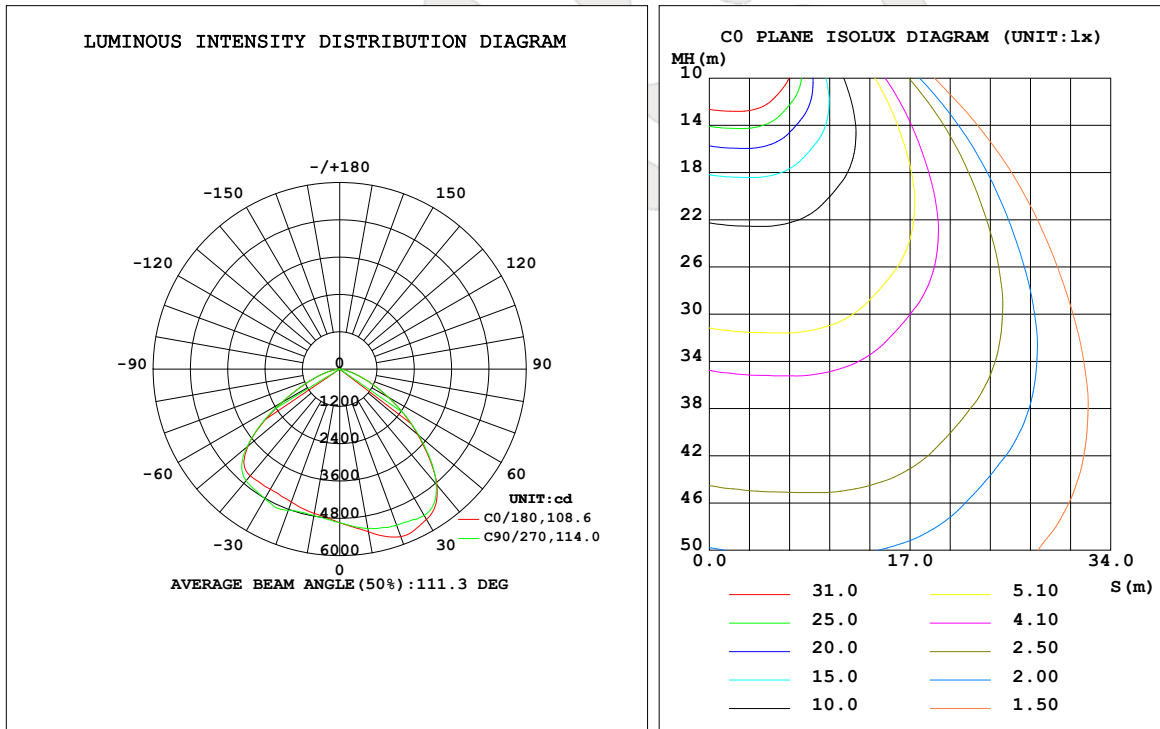
Due to continuous product improvement, information in this document is subject to change.

# UFO TNT

## LED Round High Bay

### Distribution Diagram

100W

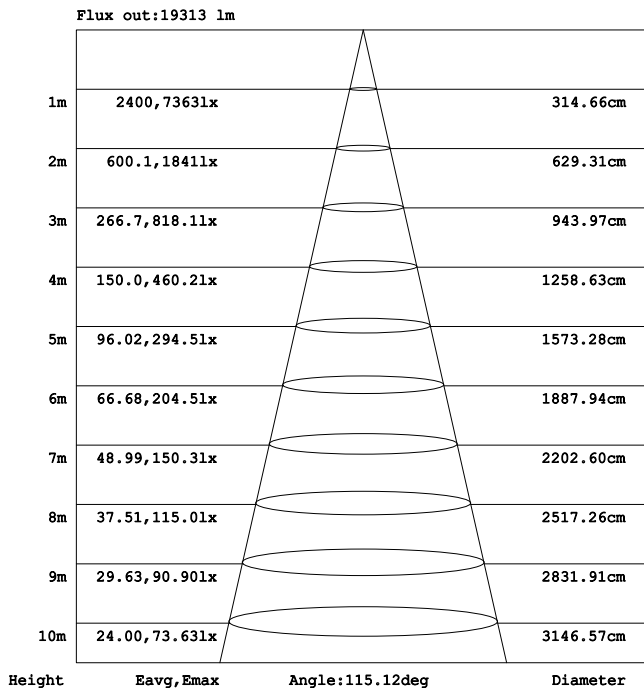
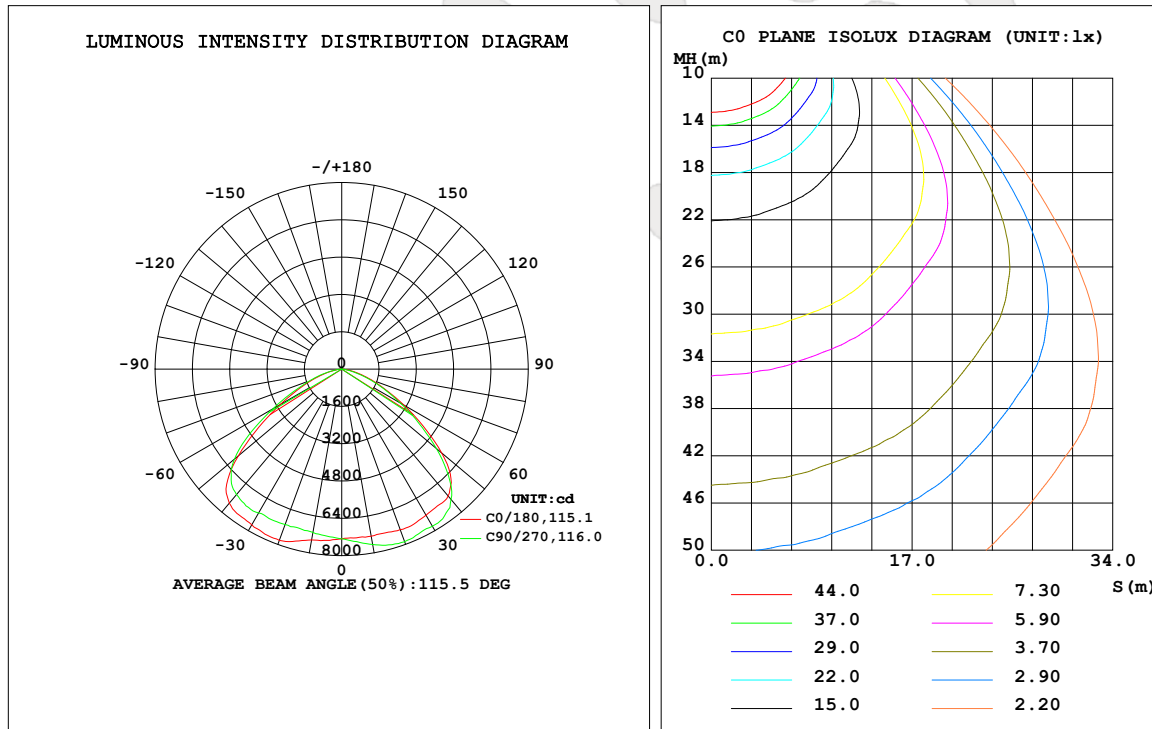


Note: The Curves indicate the illuminated area and the average illumination when the luminaire is at different distance.

# UFO TNT LED Round High Bay

## Distribution Diagram

150W



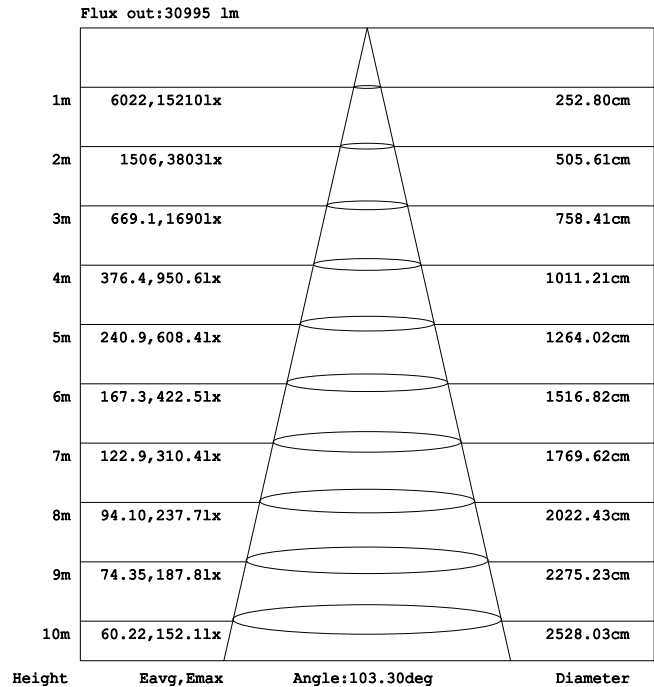
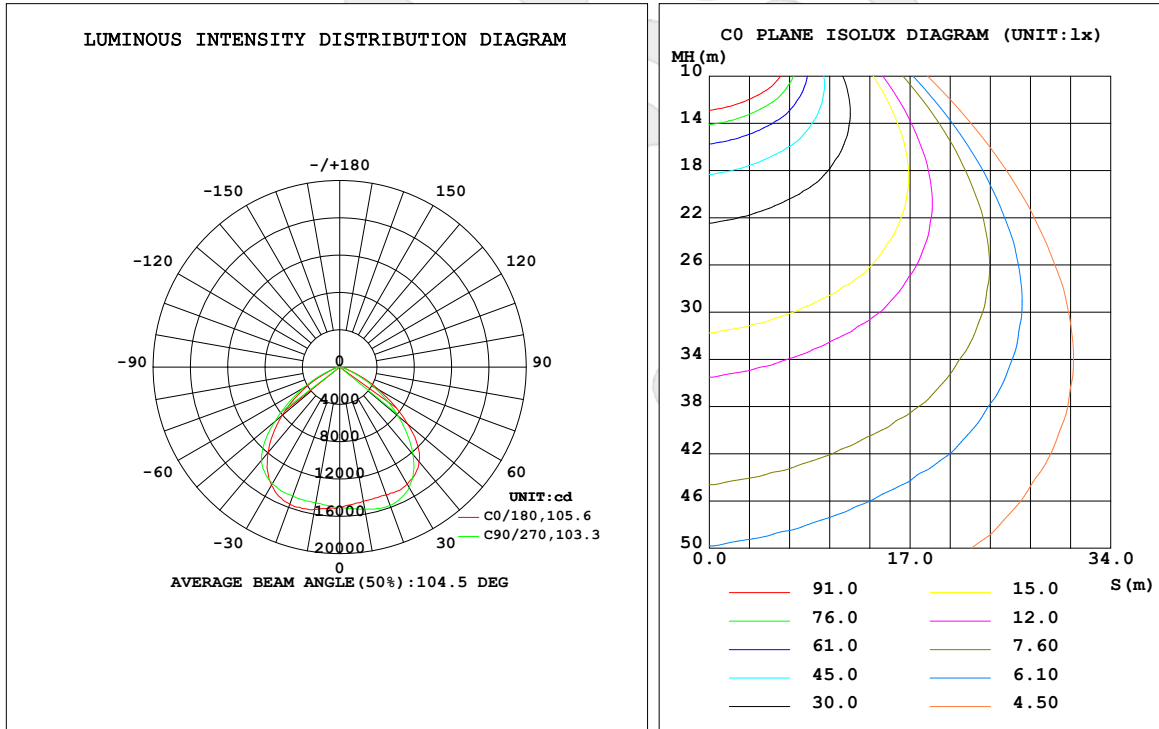
Note: The Curves indicate the illuminated area and the average illumination when the luminaire is at different distance.

# UFO TNT

## LED Round High Bay

### Distribution Diagram

250W

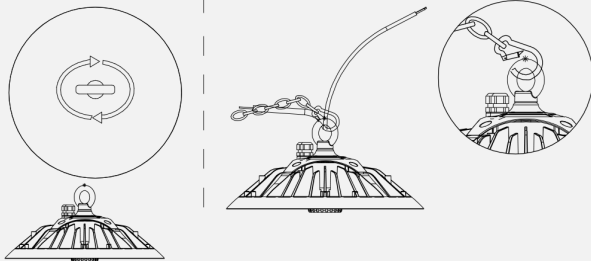


Note: The Curves indicate the illuminated area and the average illumination when the luminaire is at different distance.

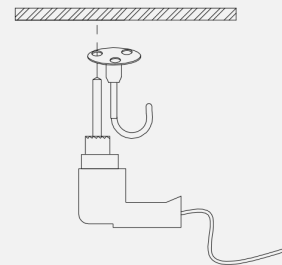
# UFO TNT LED Round High Bay

## Installation

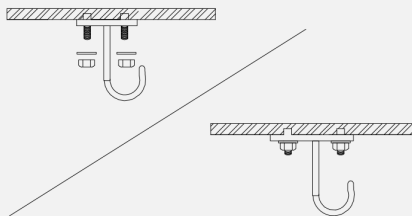
ALWAYS TURN OFF THE POWER SUPPLY FROM MAIN CIRCUIT BREAKER FIRST!



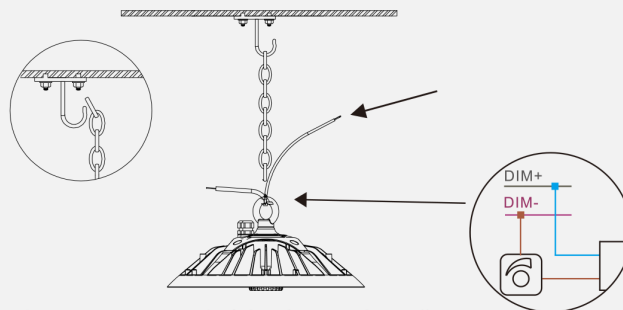
**Diagram1:** Fix the hook on the light. (clockwise rotation). link up the hook and Carabiner.



**Diagram2:** Use electric drill to bore a hole on the wall.

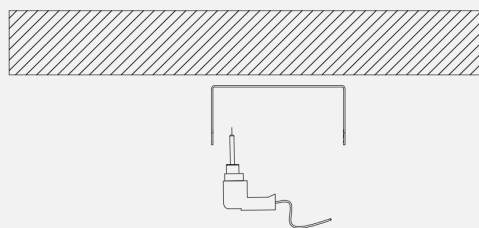


**Diagram3:** Fix the hanger on the wall with screws.

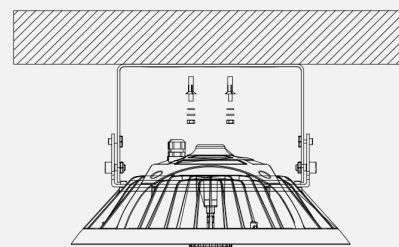


**Diagram4:** Fix one end of the chain to the wall, another end to the O hook from light, finish the installation.

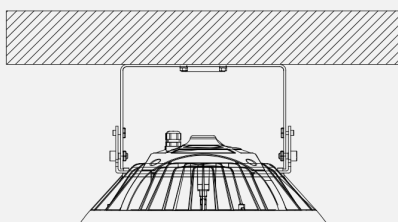
Dimmer connect the wires:  
DMI+ match DMI+;  
DMI- match DMI-



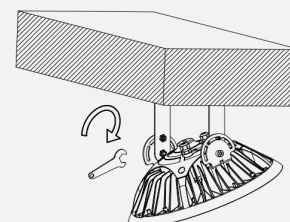
**Diagram1:** Use electric drill to bore a hole on the wall.



**Diagram2:** Set the expansion screws to the existing drilling hole.



**Diagram3:** Fix the U bracket to the wall by nut, plain cushion, Spring shim



**Diagram4:** Use wrench to reverse hexagon nut to adjust the requested angle.



# UFO TNT LED Round High Bay

## Application

