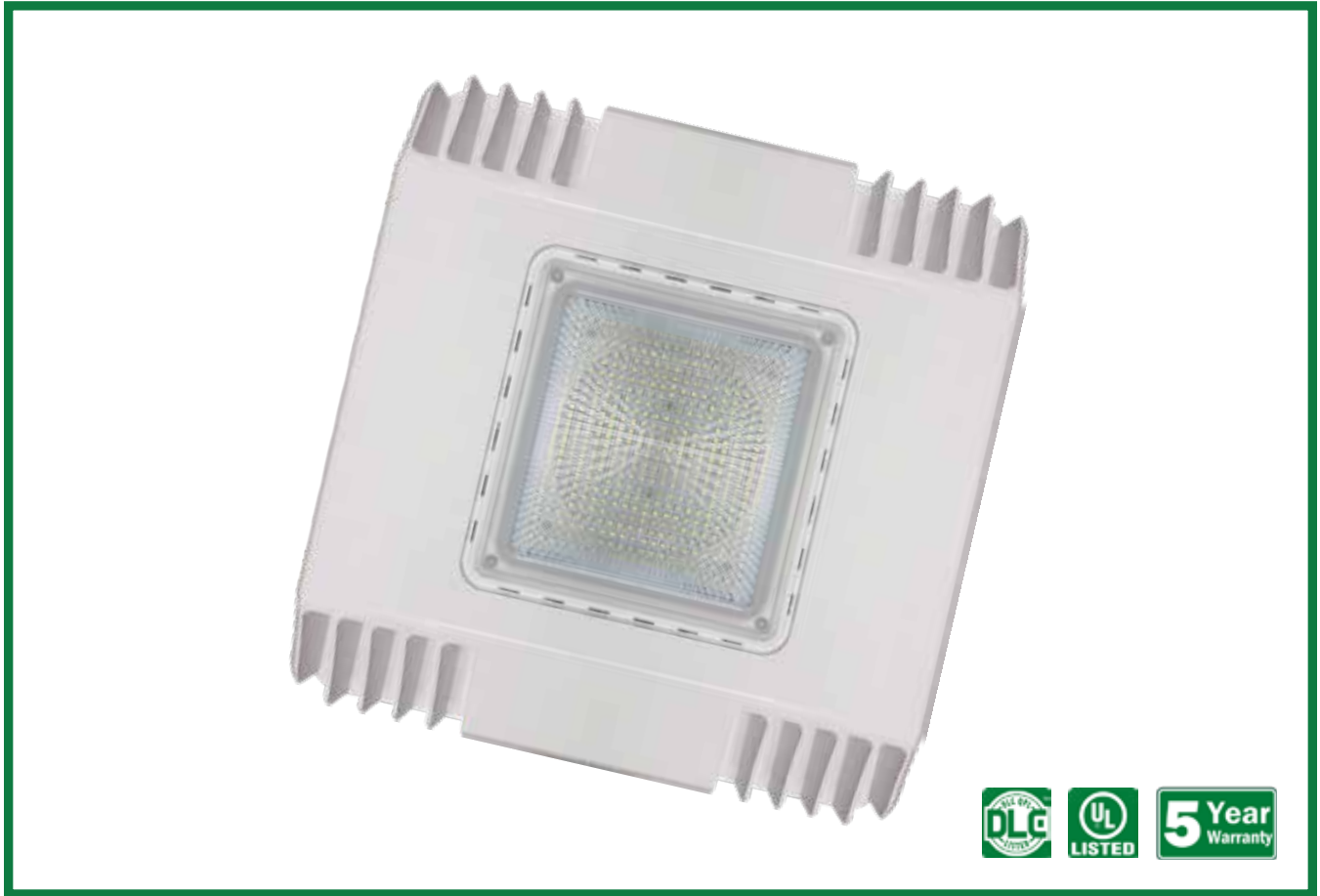




V-1

LED Petroleum Canopy Light



V-1

Beyond LED's V-1 Canopy Luminaire is the most economic fixture of its kind, and offers exceptional performance, efficiency, and a unique design. Features such as high lumens per watt, outstanding efficacy, and field serviceability, make it an ideal commercial canopy solution. The contractor-friendly V-1 canopy luminaire includes fasteners and a locking collar, making installation easy, secure and water-tight. It can be surface mounted easily from below the canopy deck and also has the ability to be pendant mounted.

- Up to 130 Lumens per watt
- Rugged low-profile die-cast aluminum housing
- Direct surface or recessed mount
- Sosen VA driver
- IP65 Waterproof Rated
- Universal 100-277Vac

V-1

LED Petroleum Canopy Light

V-1 Series

SKU #	Model #	Watts	Lumens	CCT	IP	Input Voltage	Certifications
151119	BLT-CP3B-150WWASA1-a57	150W	20221Lm	5700K	IP65	100-277Vac	UL & DLC

Specifications

VIEWING ANGLE	110°
INPUT VOLTAGE	100-277V AC, 50 - 60Hz
POWER FACTOR	>0.9
DRIVER MODEL	Beyond Brand Driver
WATERPROOF RATING	IP65

LED TYPE	2835 (0.5W)
HOUSING	Aluminum
HOUSING COLOR	White

Others

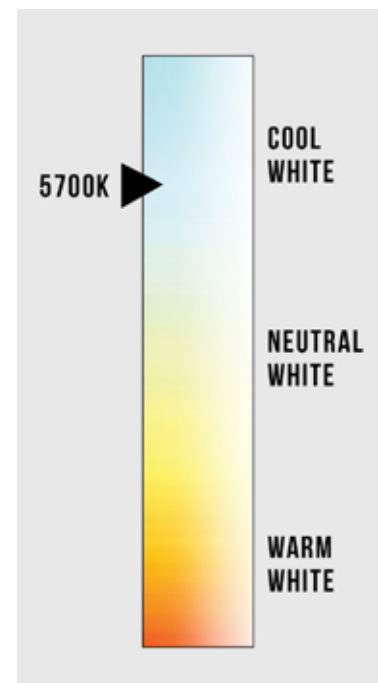
OPERATING TEMPERATURE	APPLICATION	CRI	BEAM ANGLE	DIMMABLE
-4°F TO 113°F	Outdoor	>80	110°	No

Warranty & Qualification

WARRANTY	UL LISTED	DLC
5-Year Limited	Yes	Yes

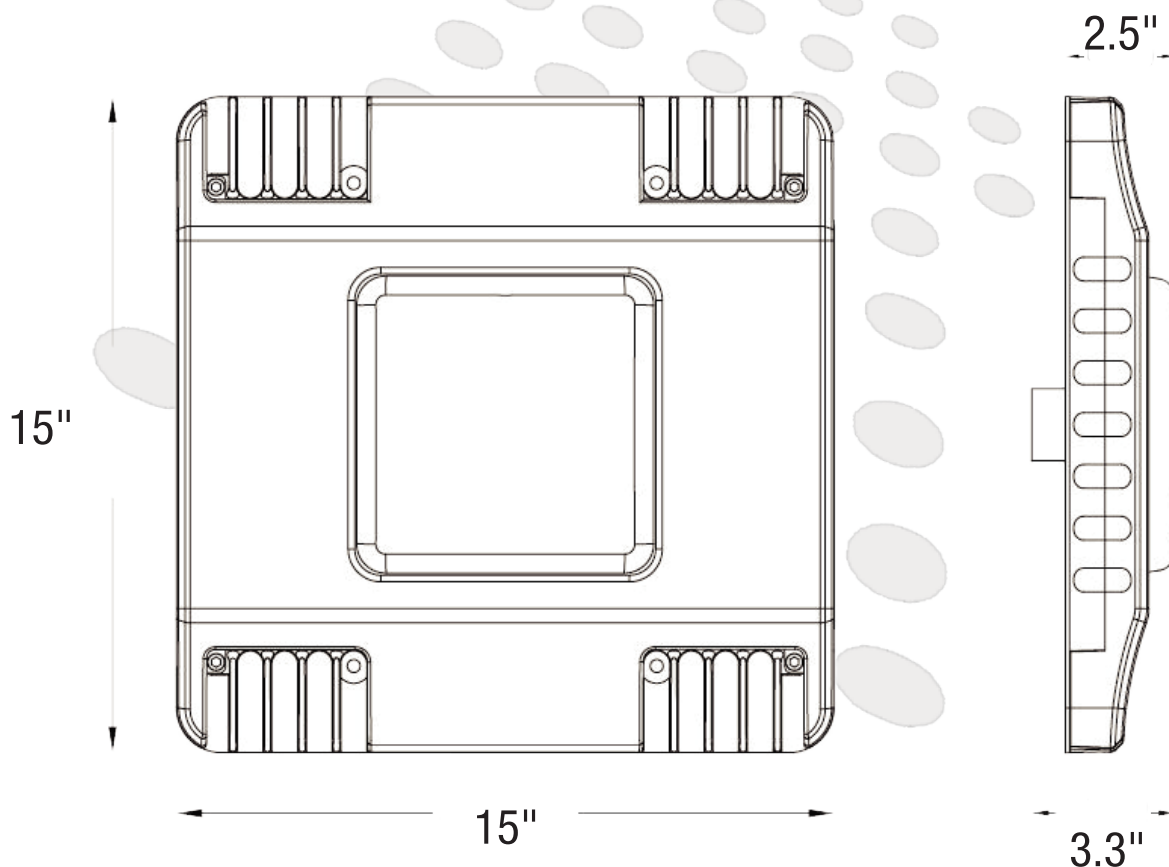


CORRELATED COLOR TEMPERATURE (CCT)



V-1 LED Petroleum Canopy Light

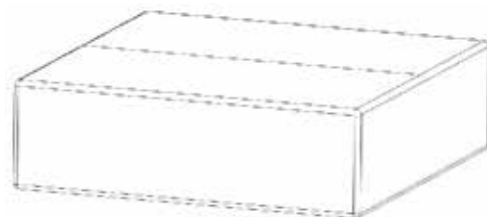
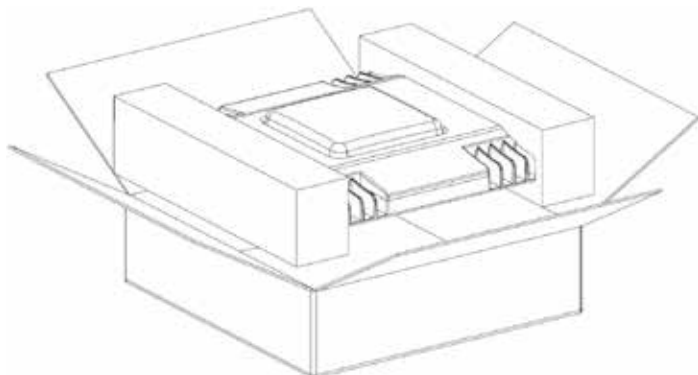
Dimensions



Packaging

Tolerance of Carton Size: ± 0.590551 in, Tolerance of Weight: $\pm 10\%$.

Model	Pcs/Box	Dimensions	Weight	Pallet Quantity	Pallet Weight	Pallet Dimensions
150W	1	17" X 17" X 5"	14 Lb			

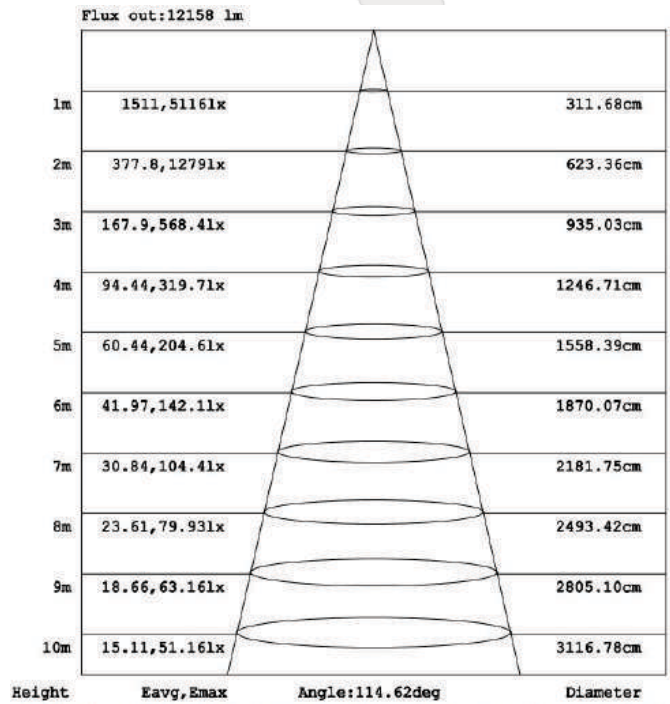
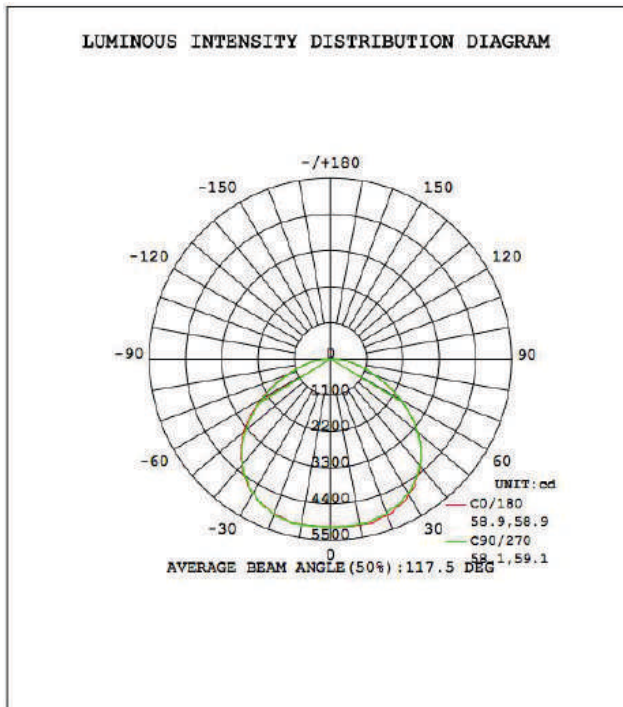


V-1

LED Petroleum Canopy Light

Distribution Diagram

DATA OF LAMP		PHOTOMETRIC DATA			
MODEL	BLT-CP3-150WSSPAA1	Imax (cd)	5162	S/MH (C0/180)	1.36
NOMINAL POWER (W)	150	LOR (%)	100.0	S/MH (C90/270)	1.36
RATED VOLTAGE (V)	120	TOTAL FLUX (lm)	16060	η UP, DN (C0-180)	0.2, 50.2
NOMINAL FLUX (lm)	16059.6	CIE CLASS	DIRECT	η UP, DN (C180-360)	0.2, 49.4
LAMPS INSIDE	1	η up (%)	0.4	CIBSE SHR NOM	1.50
TEST VOLTAGE (V)	120.0	η down (%)	99.6	CIBSE SHR MAX	1.50





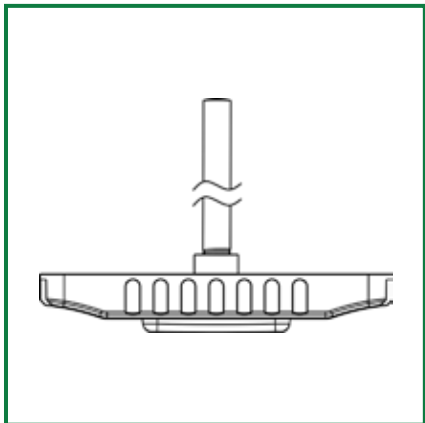
V-1

LED Petroleum Canopy Light

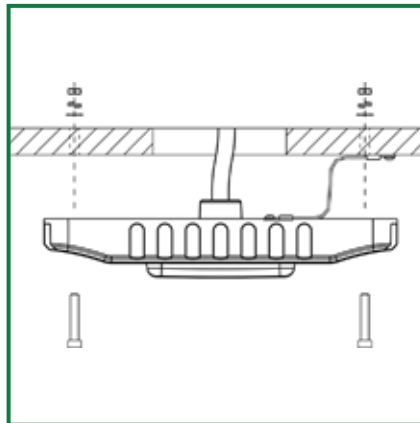
Multiple Mounting Options



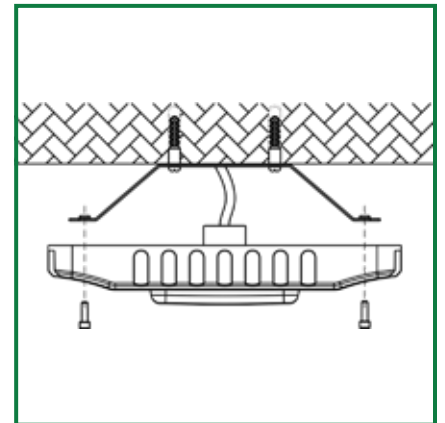
Pendant



Surface



Suspension



User Notice

- Please turn off the power before installing or changing assembly parts.
- The input voltage and lamps should be matching. Before connecting the power line, please make sure the wiring section is insulated.
- Only professionals should install and disassemble the lamps.

Trouble Shooting

- Flickering light - Turn off the power and turn on again in 3 minutes. If the same phenomena occurs, then call Support.
- Not working - Please check all power connections.

V-1

LED Petroleum Canopy Light

Application

